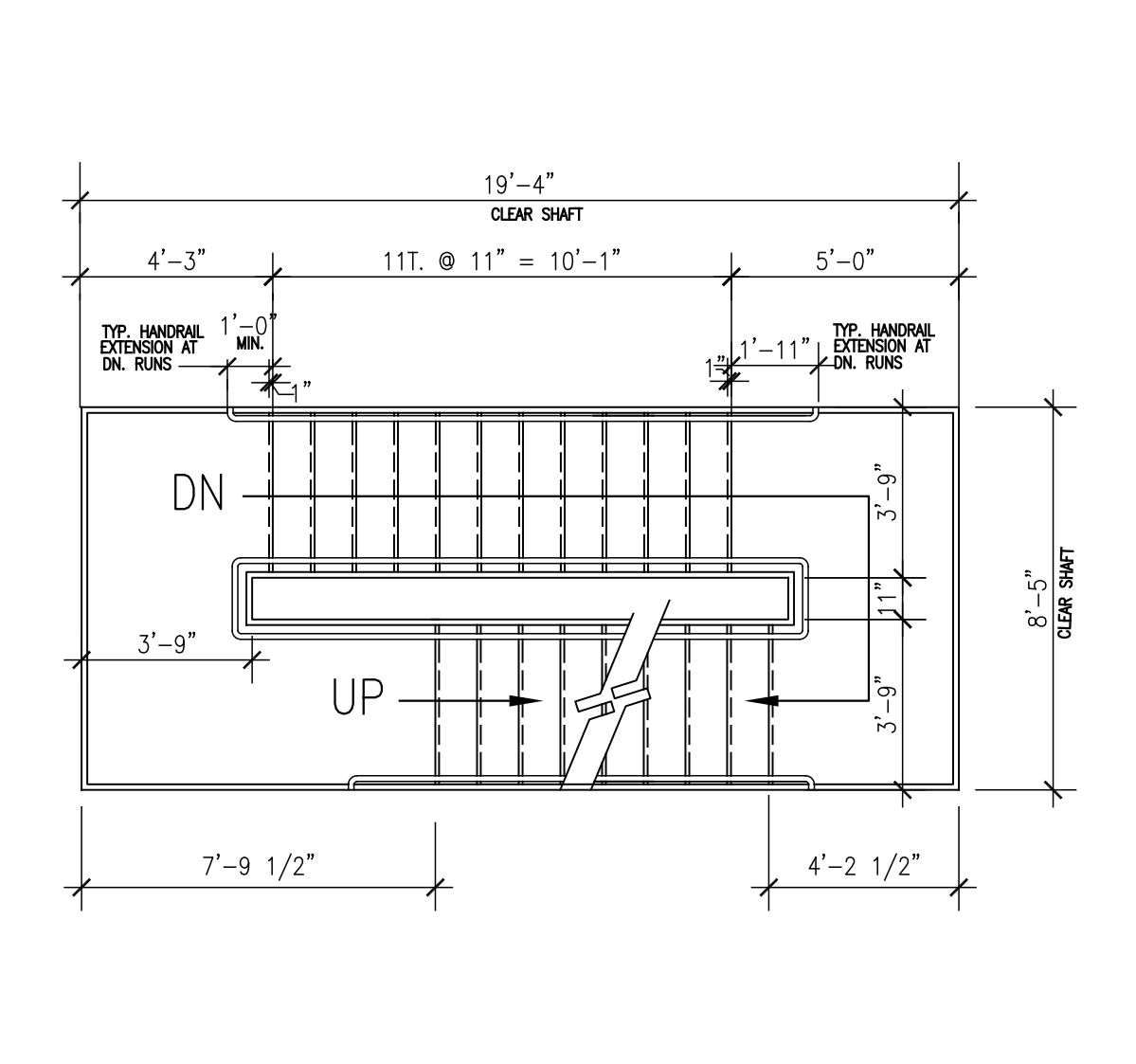
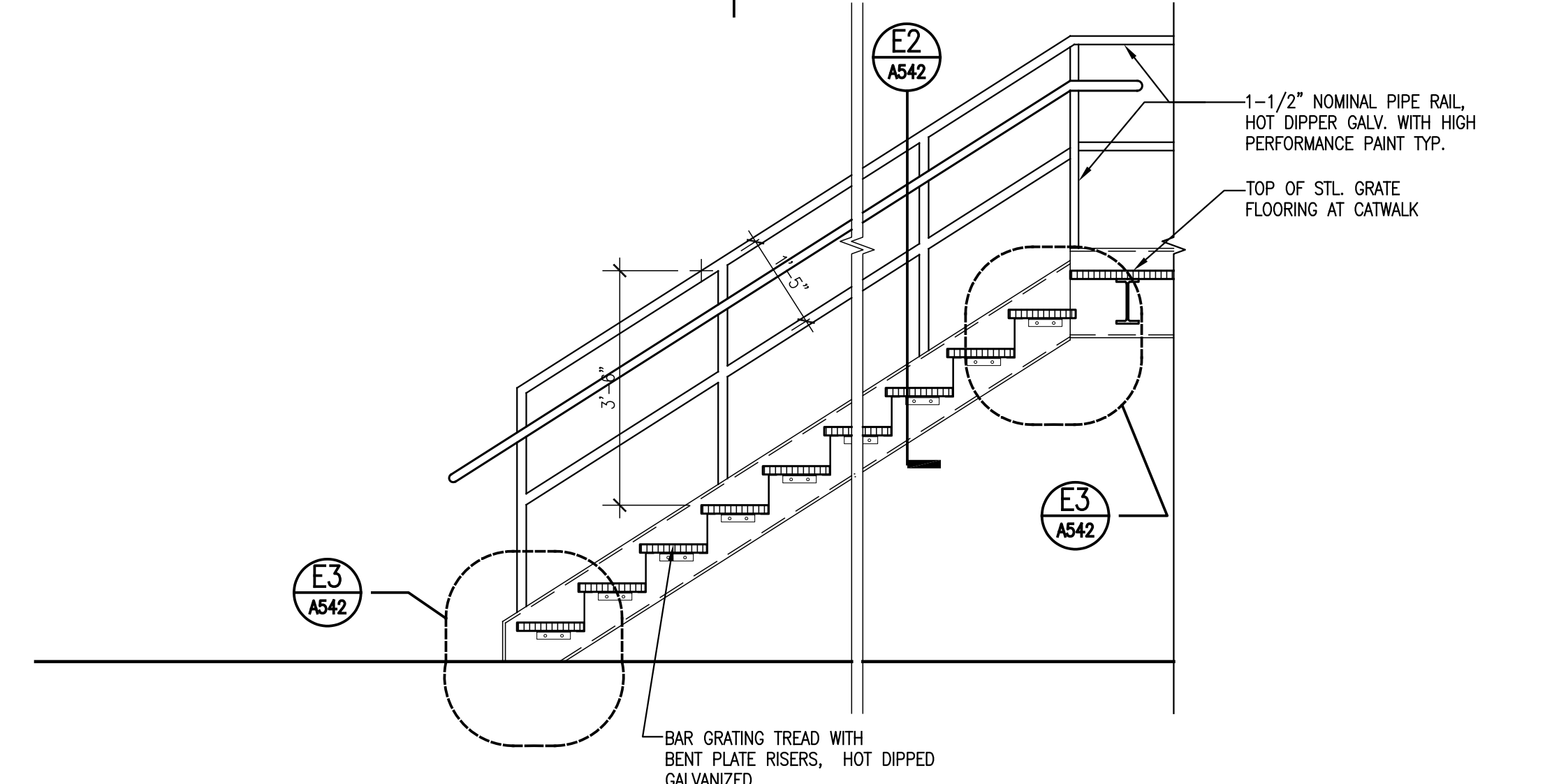


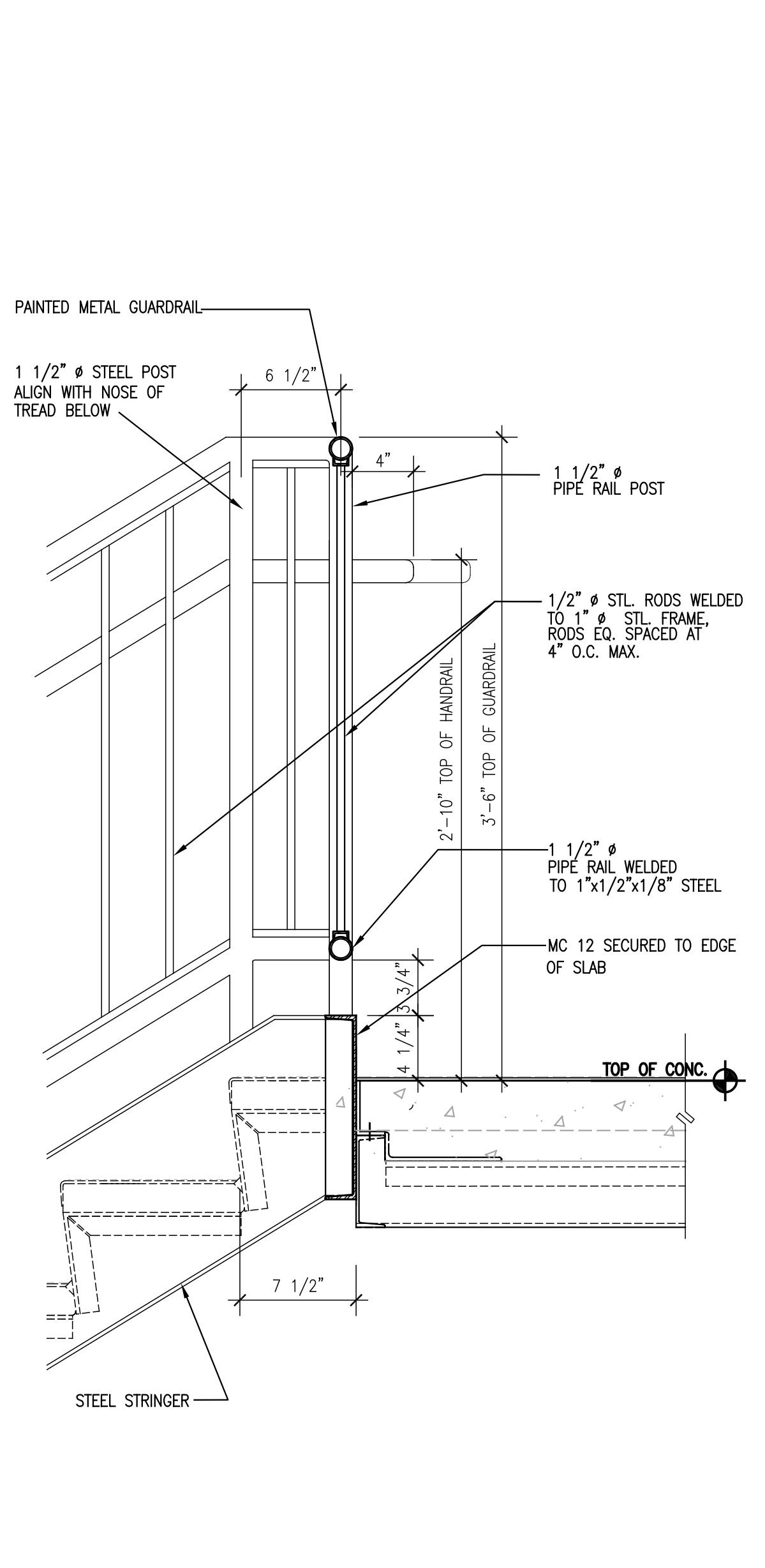
**A1 STAIR 1 REFERENCE PLAN**  
SCALE: 1/4" = 1'-0"



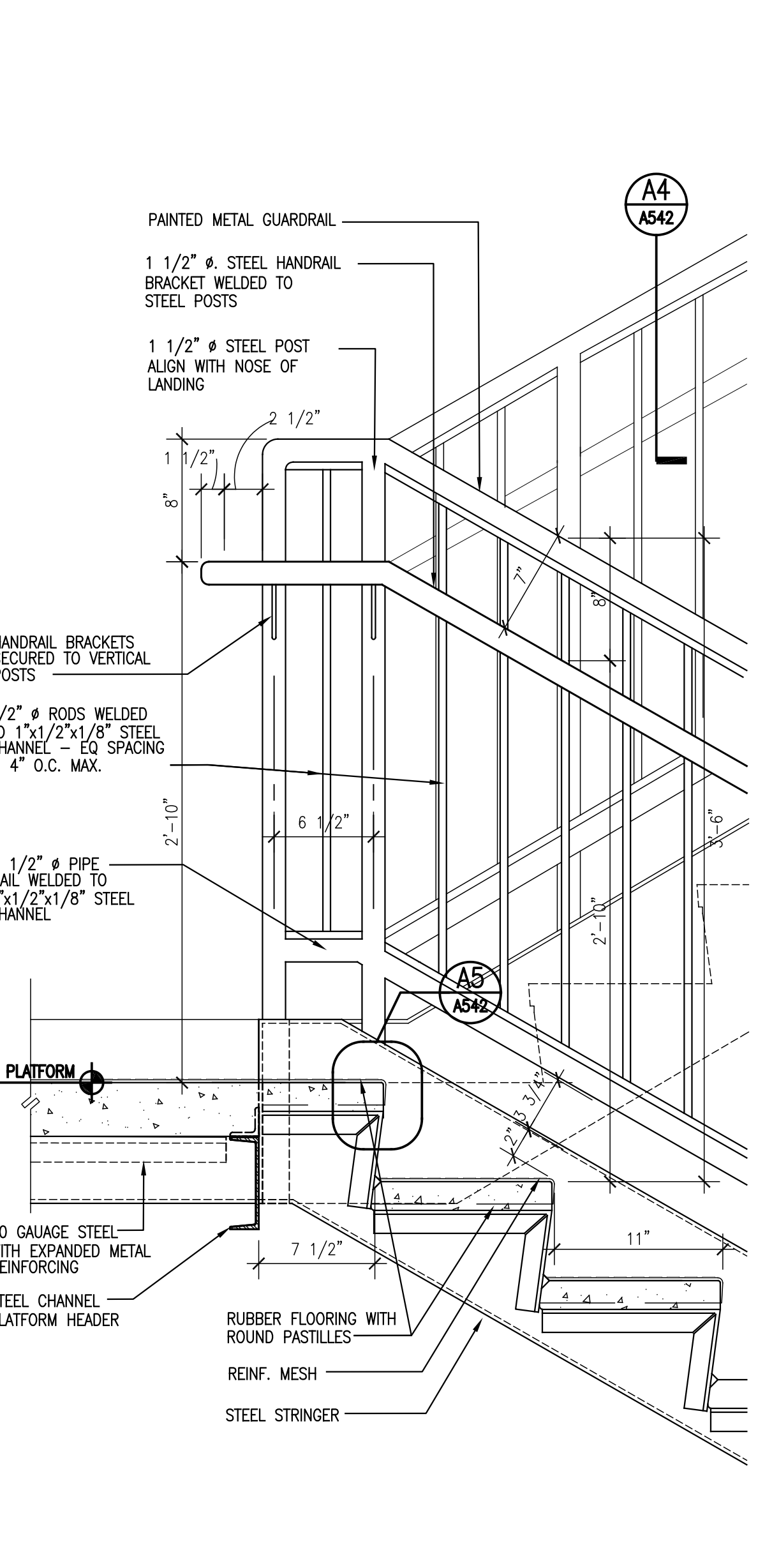
**B1 STAIR 2 REFERENCE PLAN**  
SCALE: 1/4" = 1'-0"



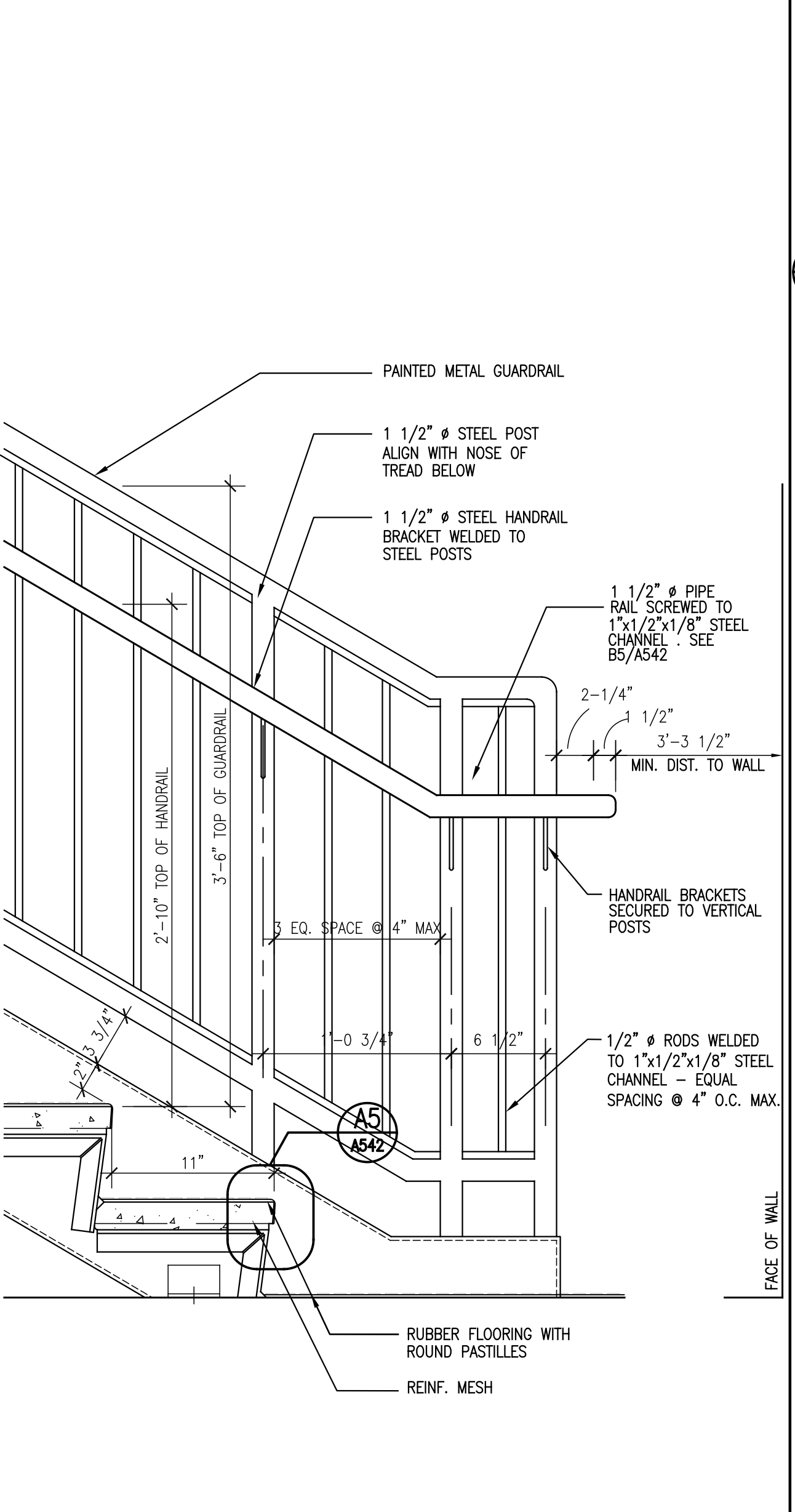
**E1 SECTION - TYPICAL METAL GRATE STAIR**  
SCALE: 1/2" = 1'-0"



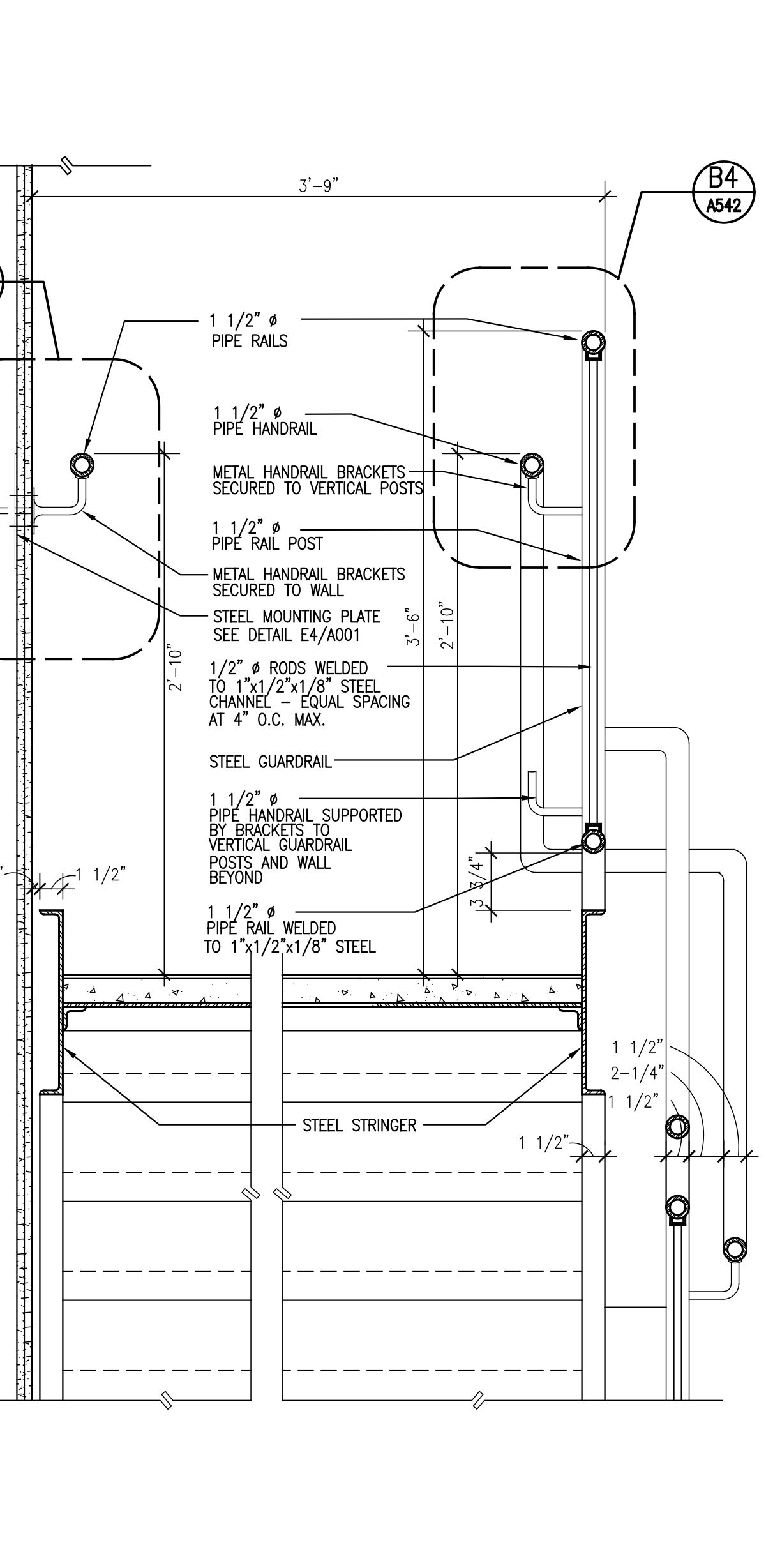
**A3 SECTION/ELEVATION DETAIL GUARDRAIL AT STAIR LANDING**  
SCALE: 1 1/2" = 1'-0"



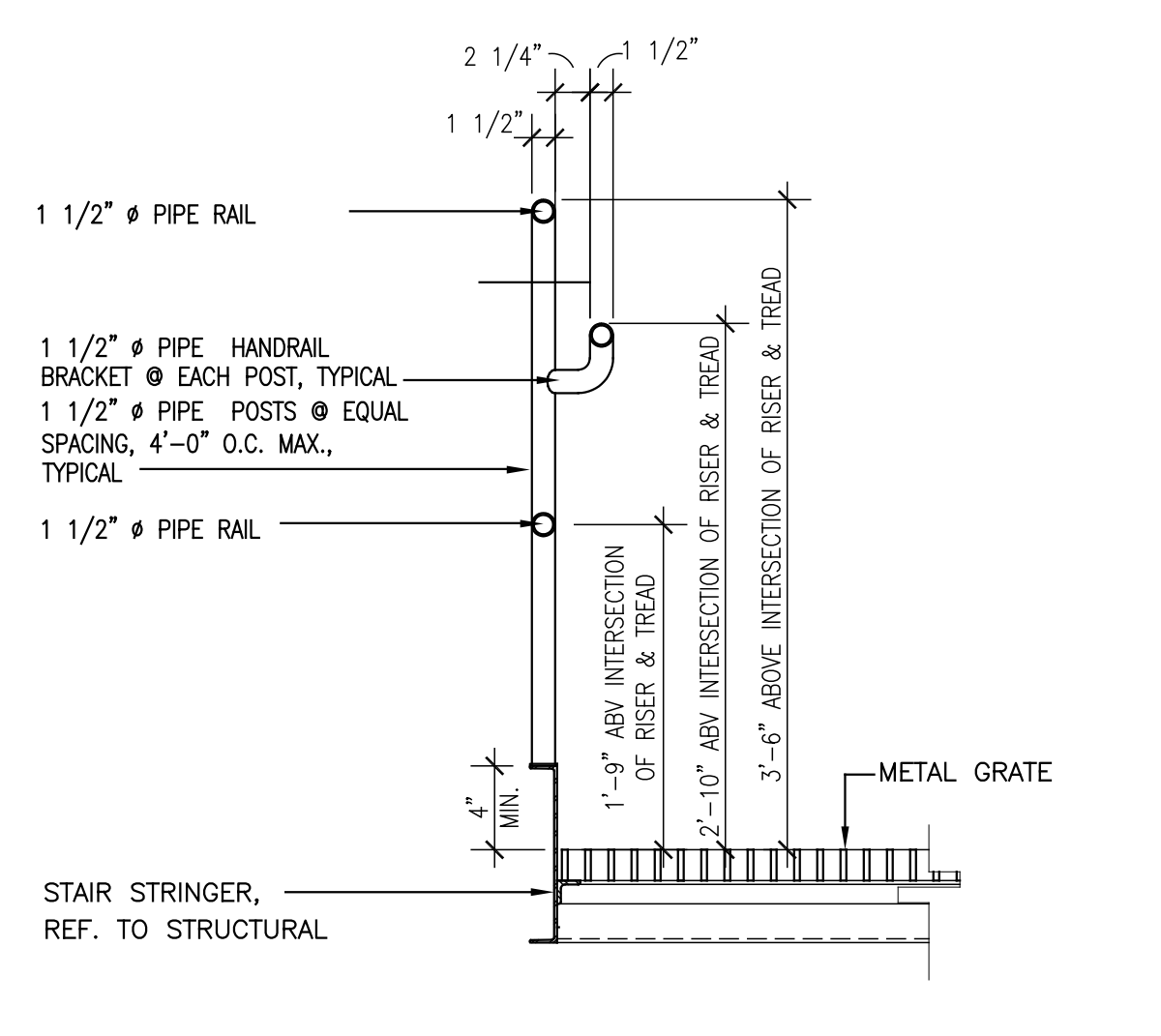
**B3 SECTION/ELEVATION DETAIL AT STAIRS**  
SCALE: 1 1/2" = 1'-0"



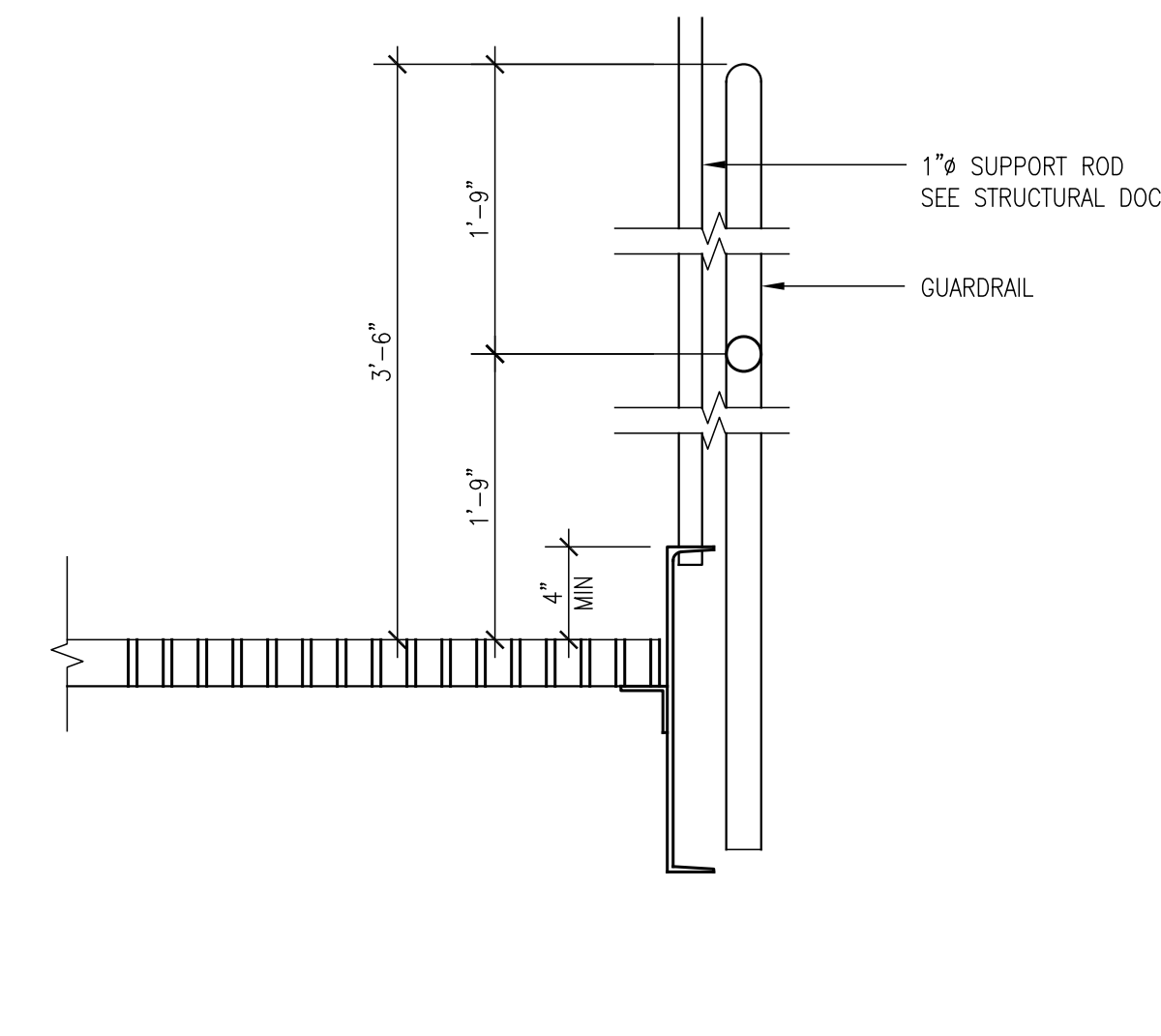
**C3 SECTION/ELEVATION DETAIL AT STAIRS**  
SCALE: 1 1/2" = 1'-0"



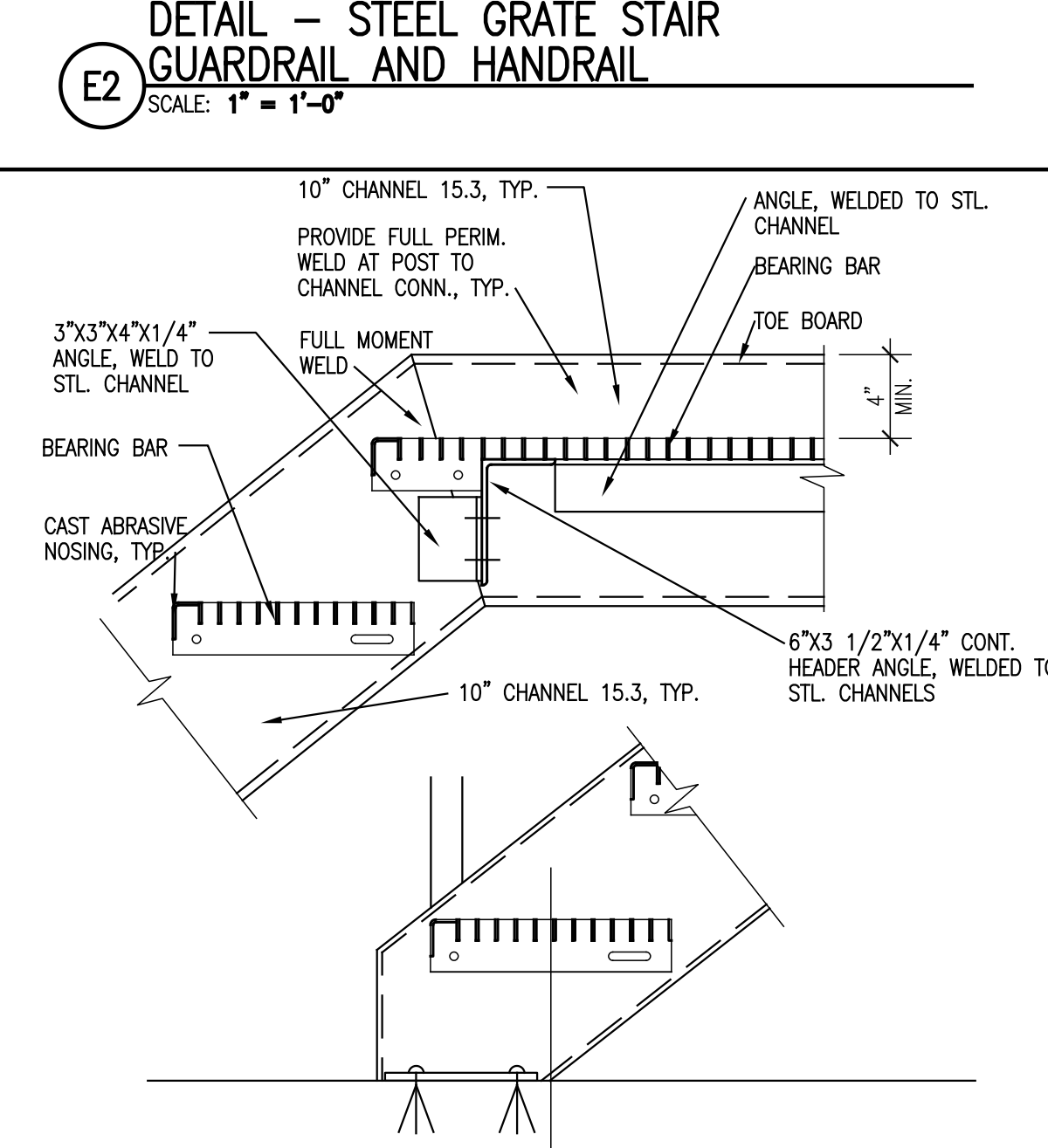
**D3 SECTION DETAIL AT STAIR RAILING**  
SCALE: 1 1/2" = 1'-0"



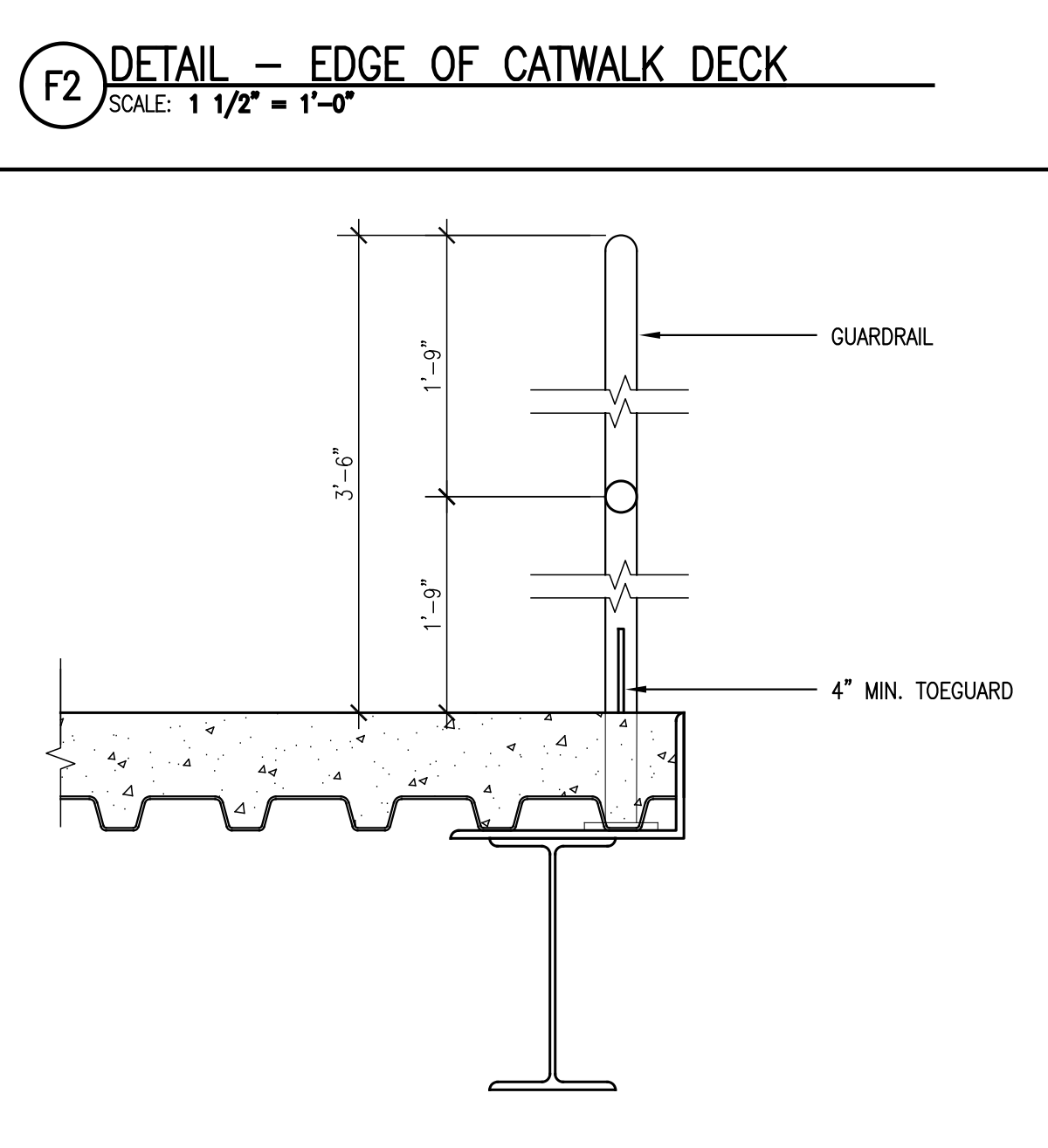
**E2 DETAIL - STEEL GRATE STAIR GUARDRAIL AND HANDRAIL**  
SCALE: 1" = 1'-0"



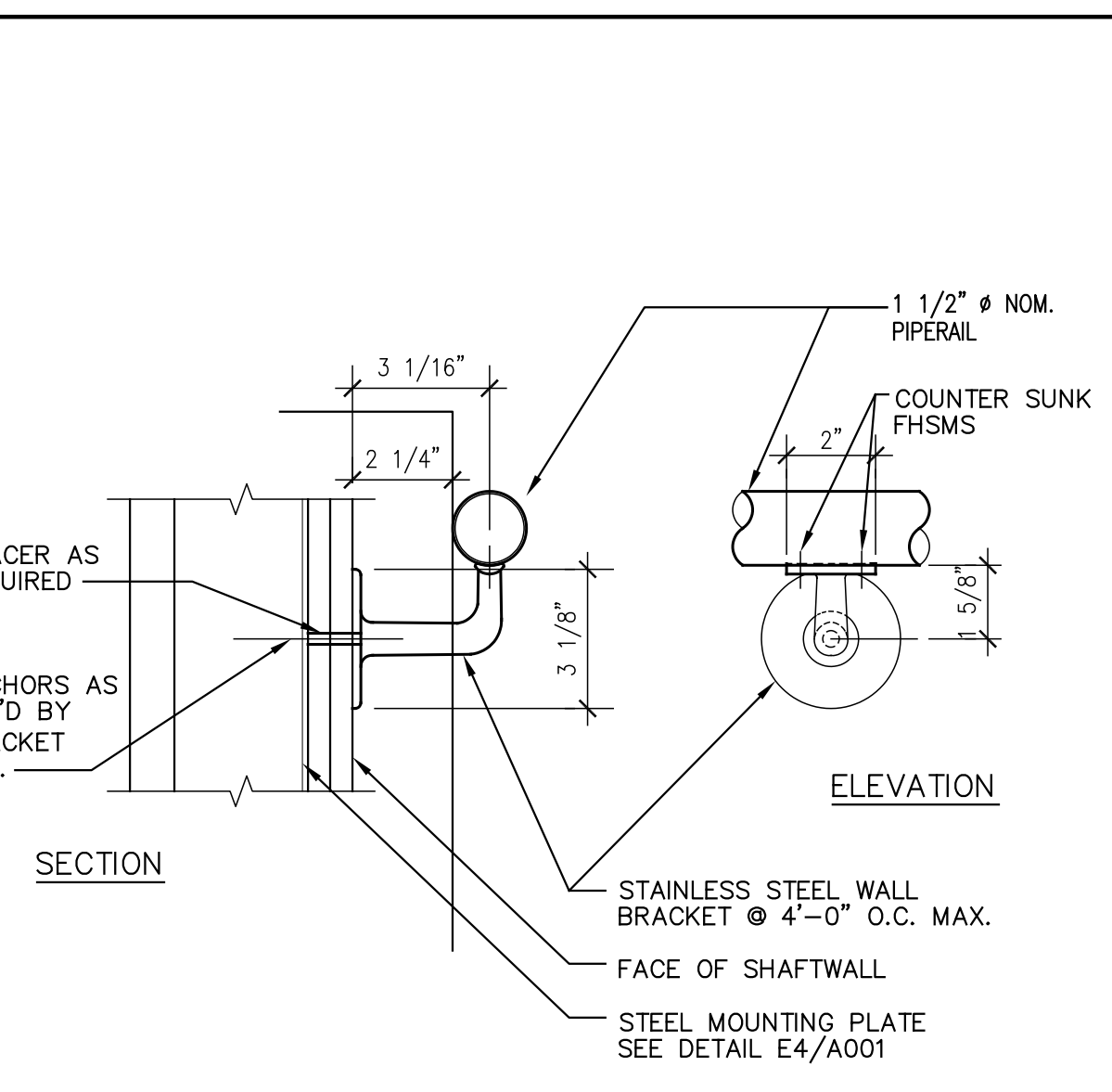
**F2 DETAIL - EDGE OF CATWALK DECK**  
SCALE: 1 1/2" = 1'-0"



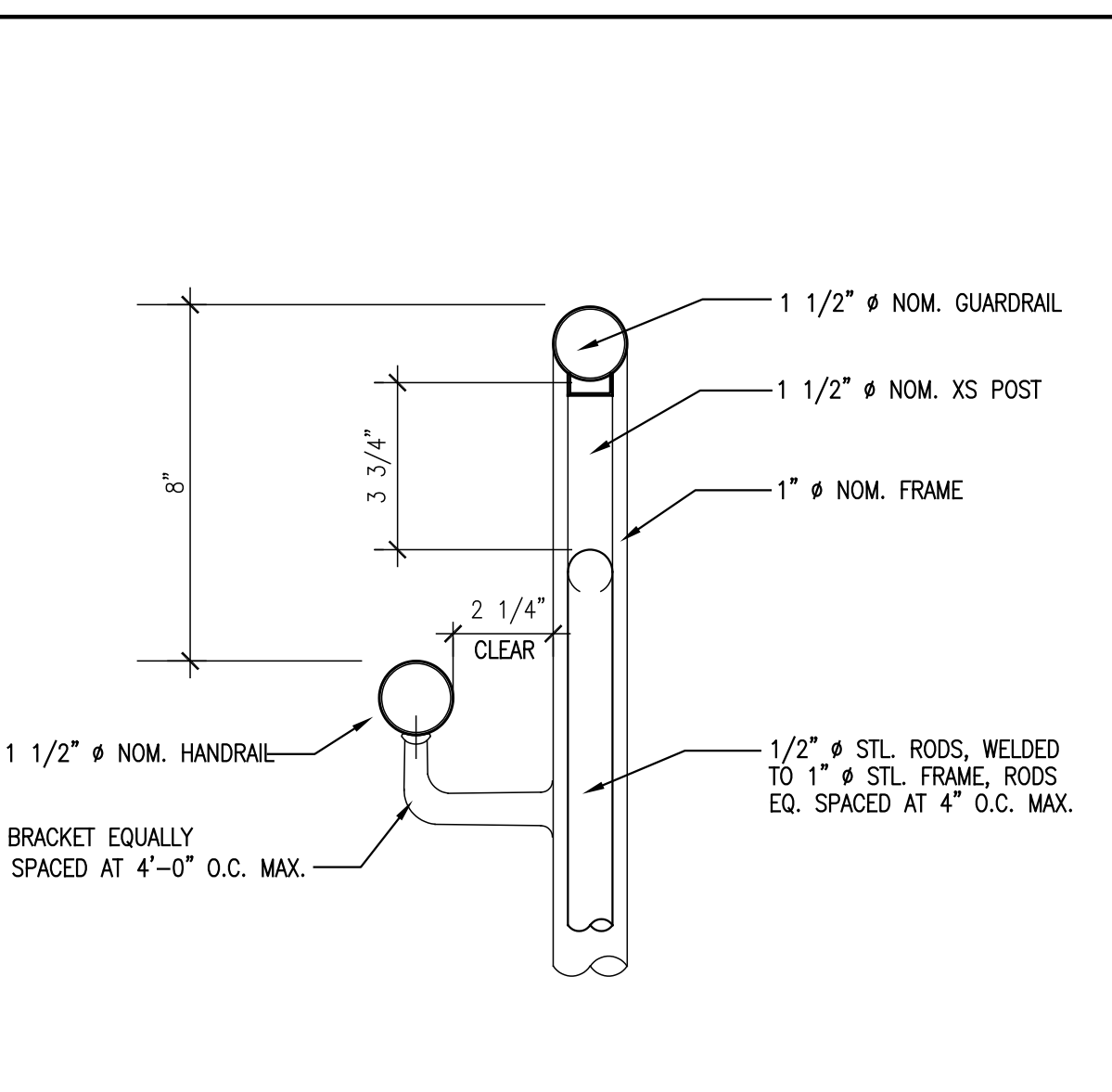
**E3 DETAILS - STEEL GRATE STAIR**  
SCALE: 1 1/2" = 1'-0"



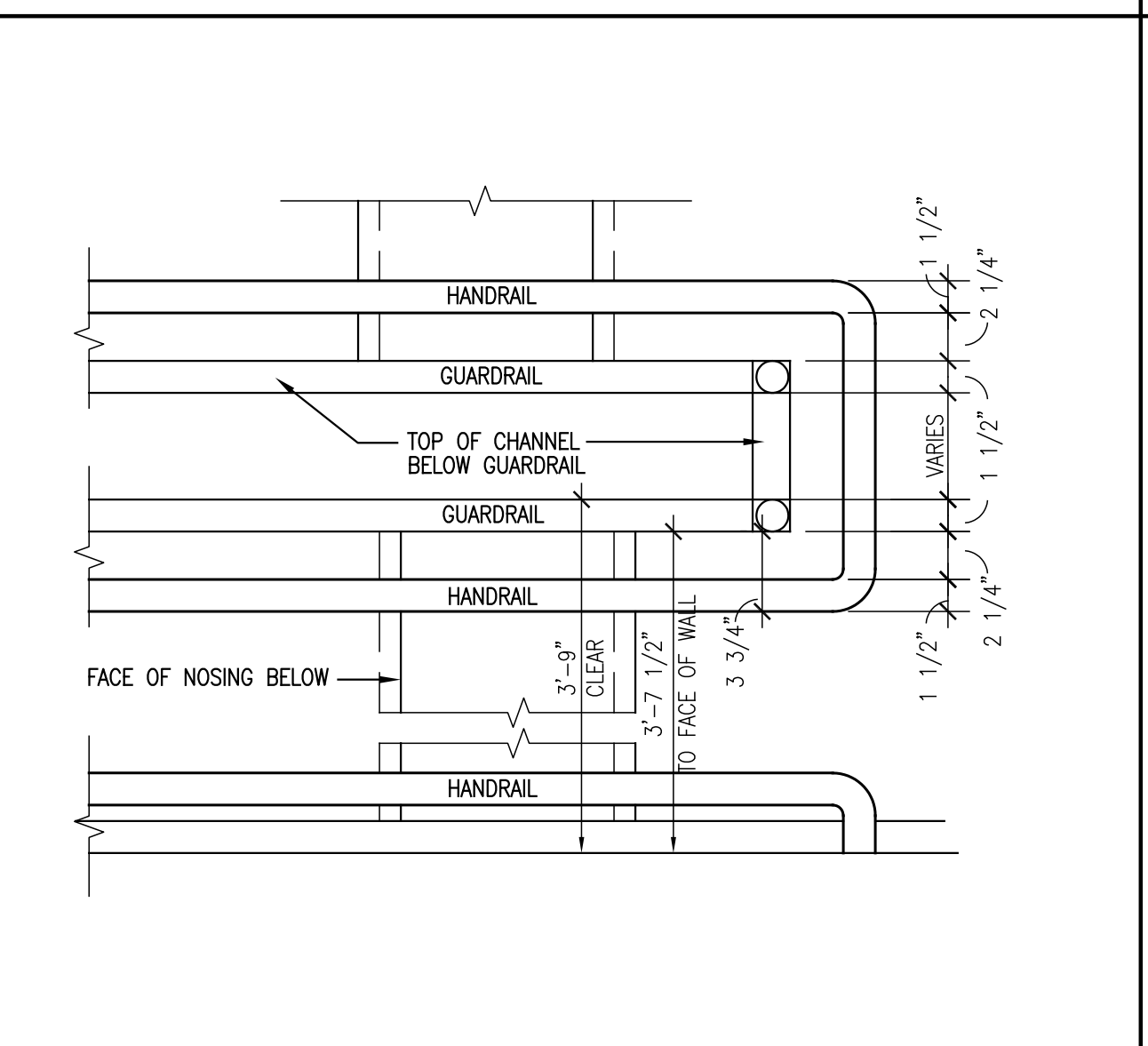
**F3 DETAIL - EDGE OF CONC DECK AT MEZZANINES AND ACCESS OPENINGS**  
SCALE: 1 1/2" = 1'-0"



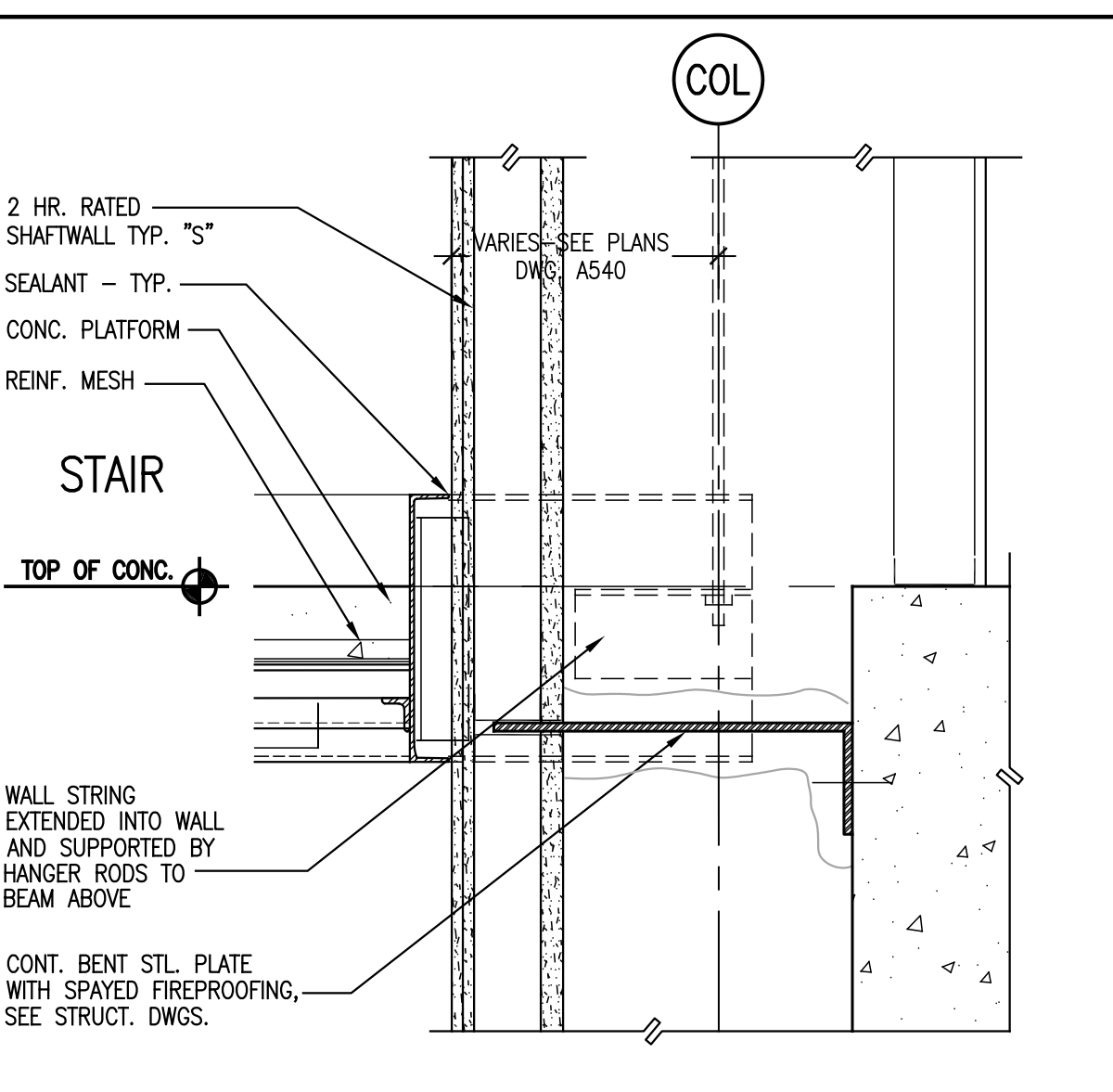
**A4 HANDRAIL DETAIL AT WALL**  
SCALE: 3" = 1'-0"



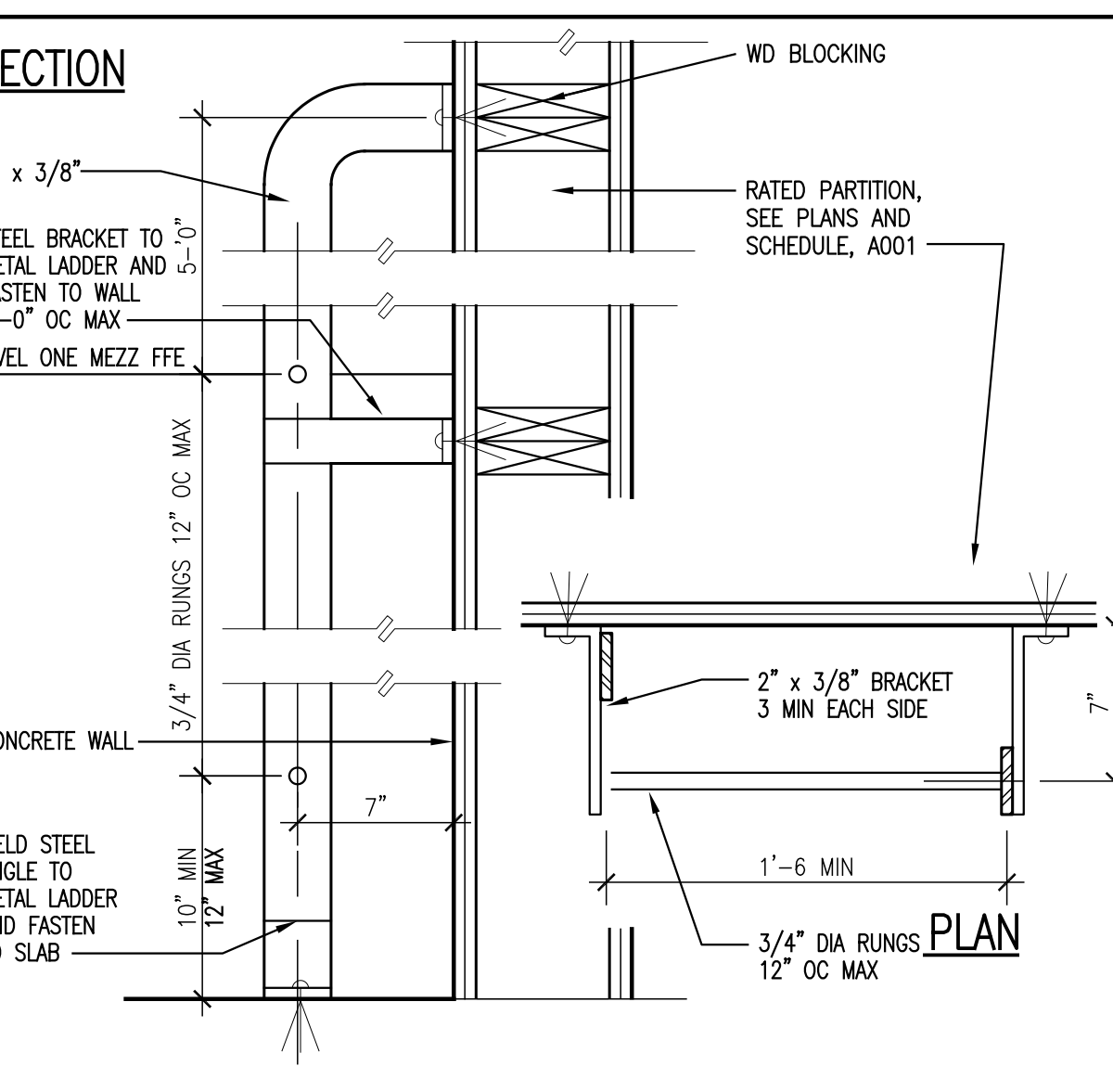
**B4 HANDRAIL/GUARDRAIL DETAIL**  
SCALE: 3" = 1'-0"



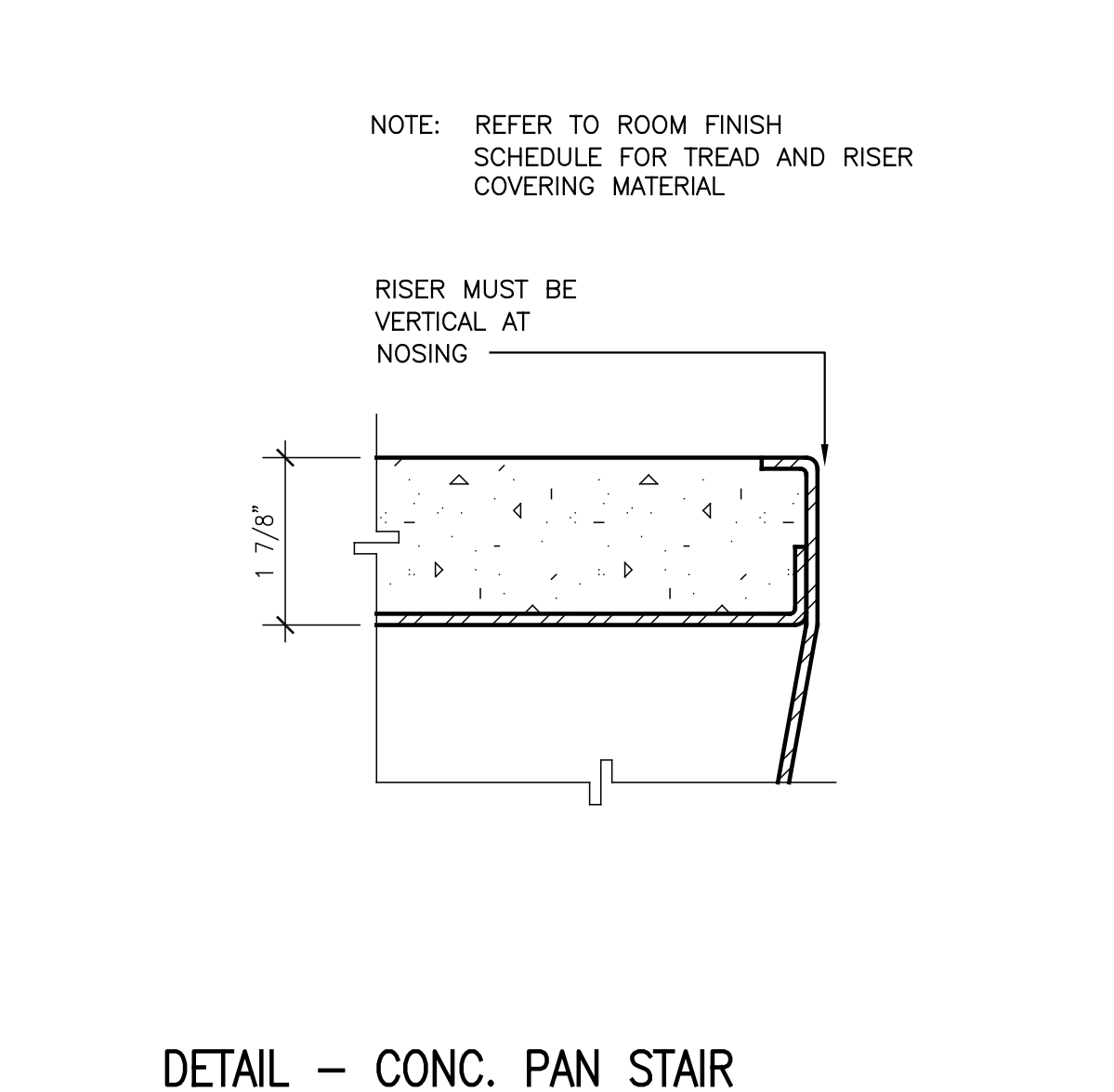
**C4 PLAN DET. AT HANDRAIL/GUARDRAIL RETURN**  
SCALE: 1 1/2" = 1'-0"



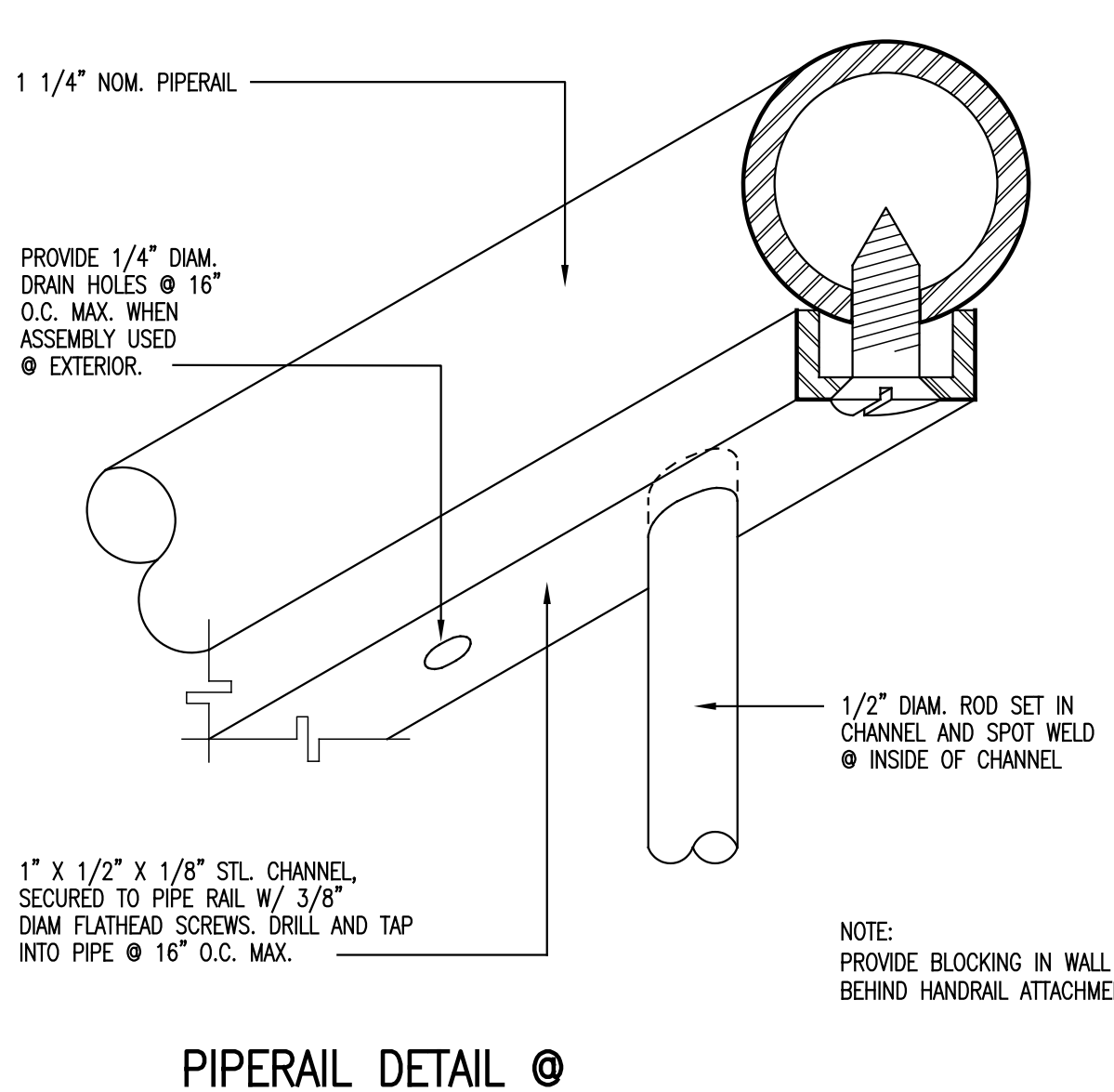
**D4 DETAIL AT PLATFORM STRINGER**  
SCALE: 1 1/2" = 1'-0"



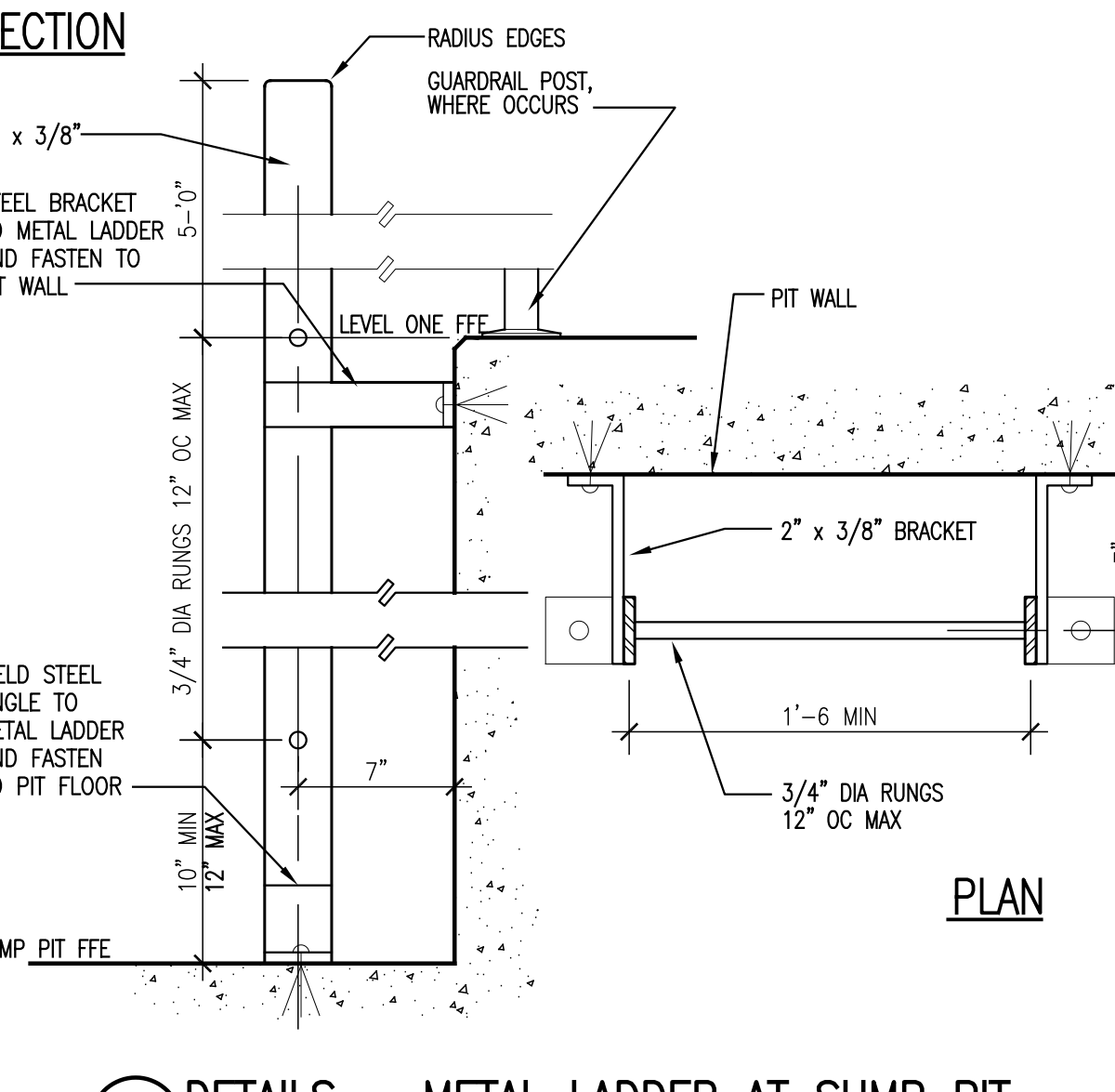
**F4 DETAILS - METAL LADDER AT SHAFT**  
SCALE: 1 1/2" = 1'-0"



**A5 DETAIL - CONC. PAN STAIR NOSING**  
SCALE: 6" = 1'-0"



**B5 PIPERAIL DETAIL @ METAL CHANNEL SUPPORT**  
SCALE: FULL SCALE

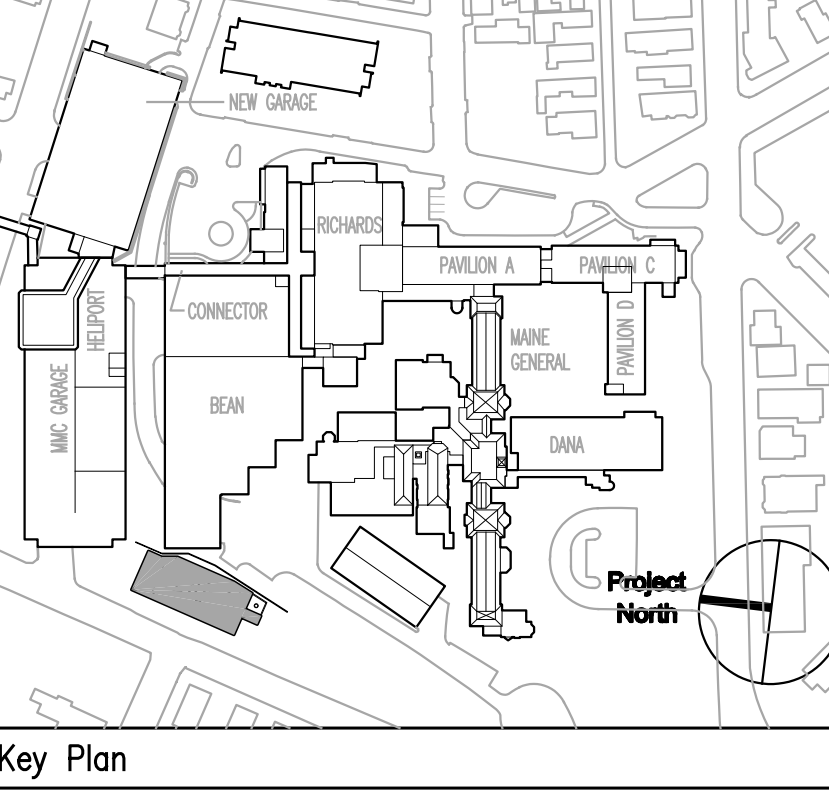


**F5 DETAILS - METAL LADDER AT SUMP PIT**  
SCALE: 1 1/2" = 1'-0"

General Notes:

**FOR PERMIT ONLY - NOT FOR CONSTRUCTION**

PERMIT: 08/24/04 PERMIT SET - NOT FOR CONSTRUCTION  
Issue Log



**TRO ARCHITECTURE PLANNING ENGINEERING INTERIOR DESIGN**  
The Ritchie Organization  
80 Bridge Street  
Newton, MA 02459-1504  
617-550-0400

**Maine Medical Center**  
Central Utility Plant  
Portland, Maine

Drawing Title: **STAIR DETAILS**

Commission No.	4677	Date Issued	
Scale	As Noted	Sheet Number	
Drawn By			
Approved By			
Filename	4677AS42.dwg		
Copyright	© 2004 The Ritchie Organization		

**A542**