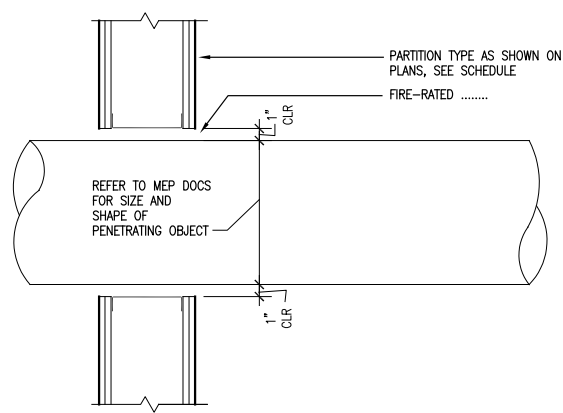
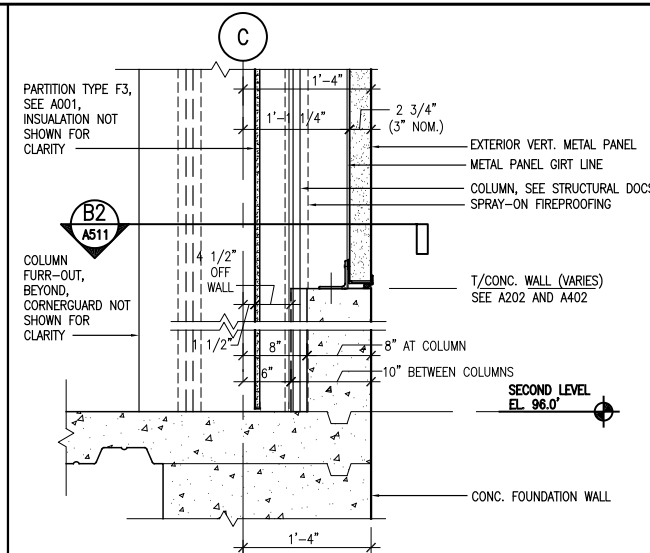


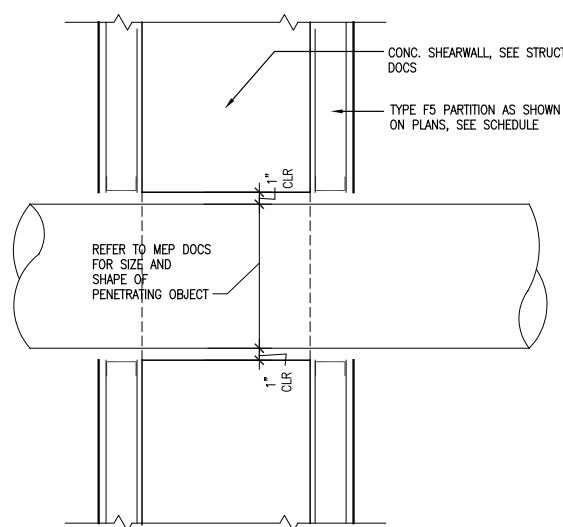
NOTE:
REFER TO SHEET A211 FOR PENETRATION DETAILS AT ROOF.



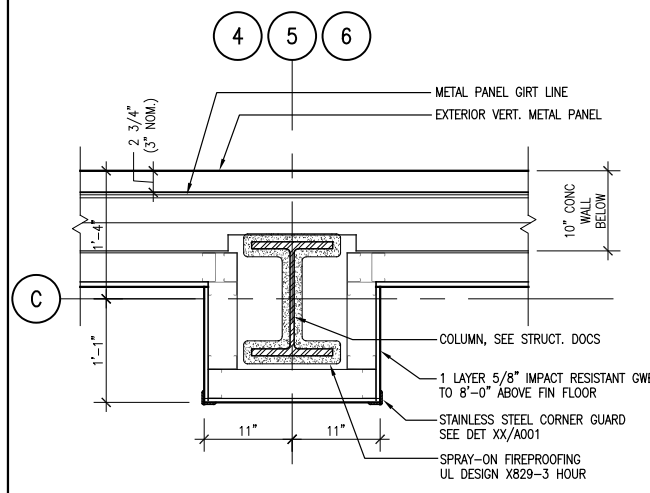
A1 DETAIL - PENETRATION THROUGH INTERIOR GWB PARTN (RATED/NON-RATED)
SCALE: 1/2" = 1'-0"



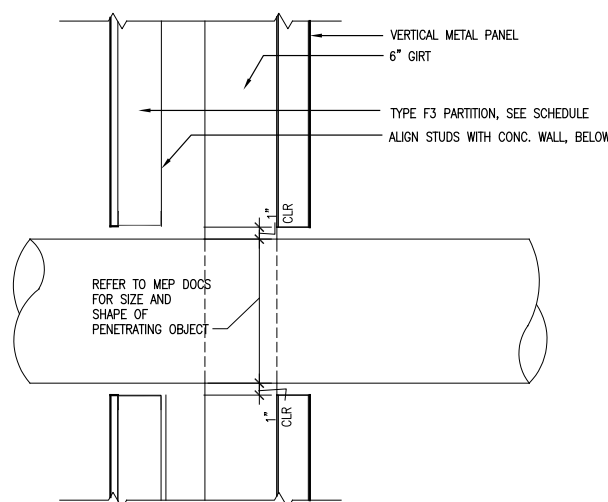
B1 DETAIL - INTERIOR FINISH AT CONC. WALL/MTL PANEL TRANSITION
SCALE: 1" = 1'-0"



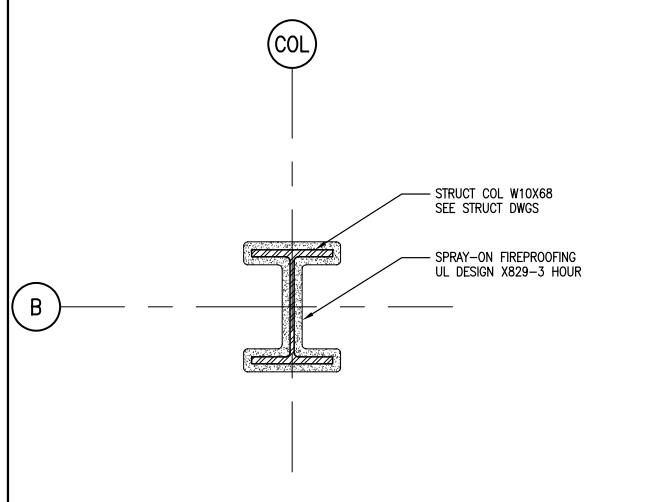
A2 DETAIL - PENETRATION THROUGH INTERIOR CONCRETE SHEARWALL
SCALE: 1/2" = 1'-0"



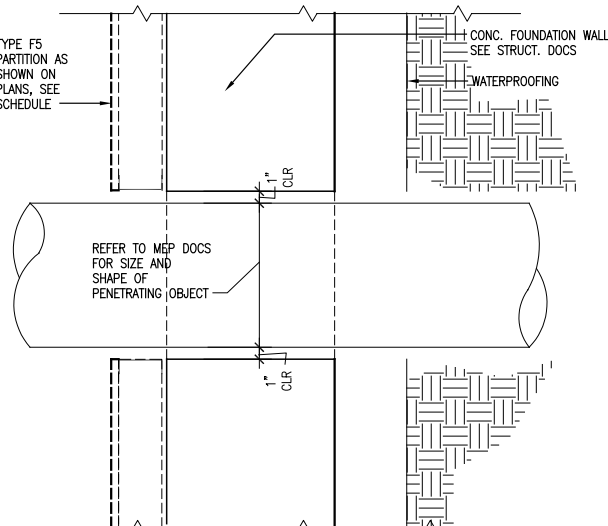
B2 DETAIL - INTERIOR FINISH AND FIREPROOFING AT COLUMN LINE C
SCALE: 1" = 1'-0"



A3 DETAIL - PENETRATION THROUGH EXTERIOR METAL WALL PANEL
SCALE: 1/2" = 1'-0"



B3 DETAIL - FIREPROOFING AT TYPICAL INTERIOR COLUMN
SCALE: 1" = 1'-0"

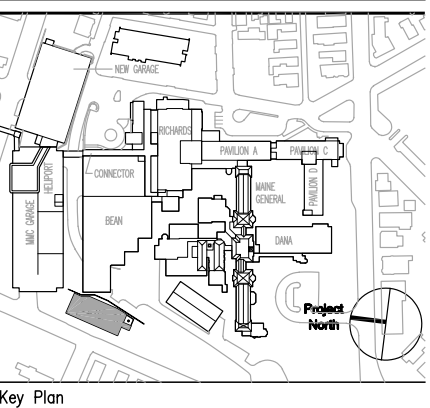


A4 DETAIL - PENETRATION THROUGH EXTERIOR CONC. FOUNDATION WALL
SCALE: 1/2" = 1'-0"

General Notes:

MARK ISSUE DATE DESCRIPTION
FOR PERMIT ONLY - NOT FOR CONSTRUCTION

PERMIT 08/24/04 PERMIT SET - NOT FOR CONSTRUCTION
Issue Log



TRO
ARCHITECTURE
PLANNING
ENGINEERING
INTERIOR DESIGN
The Fibbia Organization
80 Bridge Street
Newton, MA 02459-1104
617-552-0400

Maine Medical Center
Central Utility Plant
Portland, Maine

Drawing Title
EXTERIOR DETAILS

Commission No.	4677	Date Issued	
Scale		Sheet Number	
Drawn By			
Approved By			
Filename	4677A511.dwg		A511
Copyright	© 2004 The Fibbia Organization		