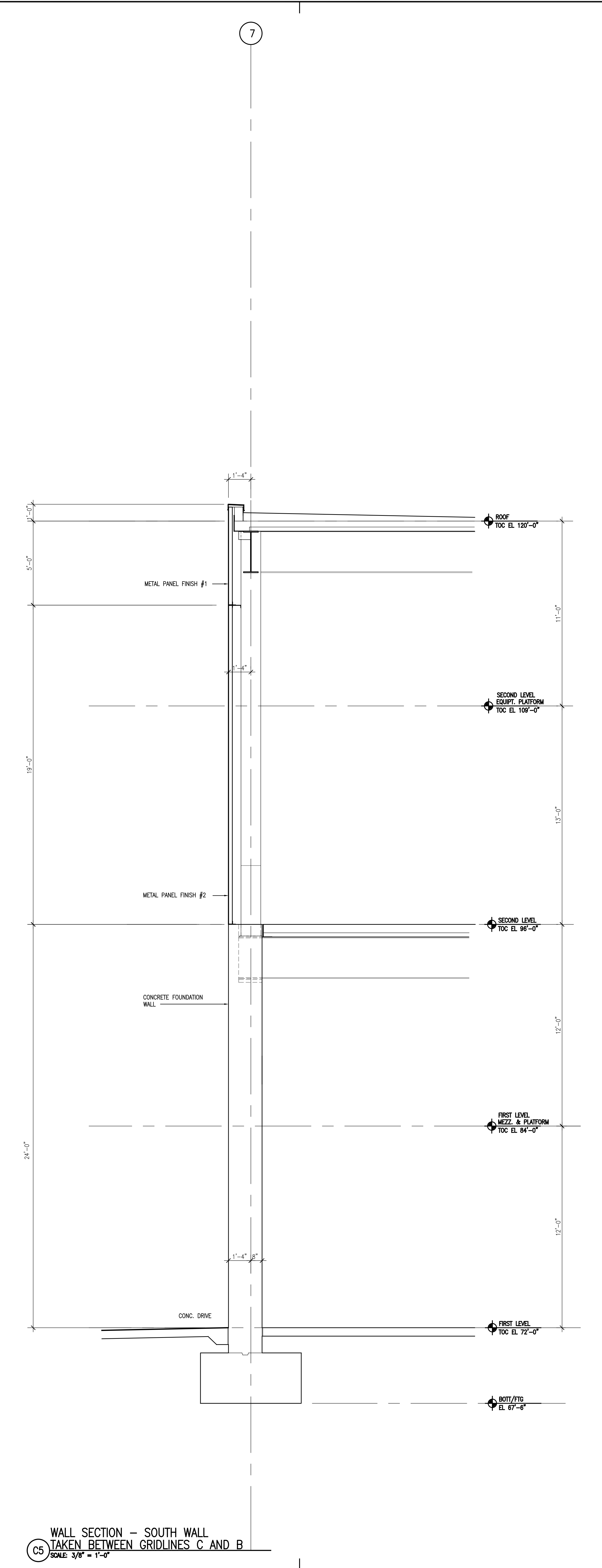
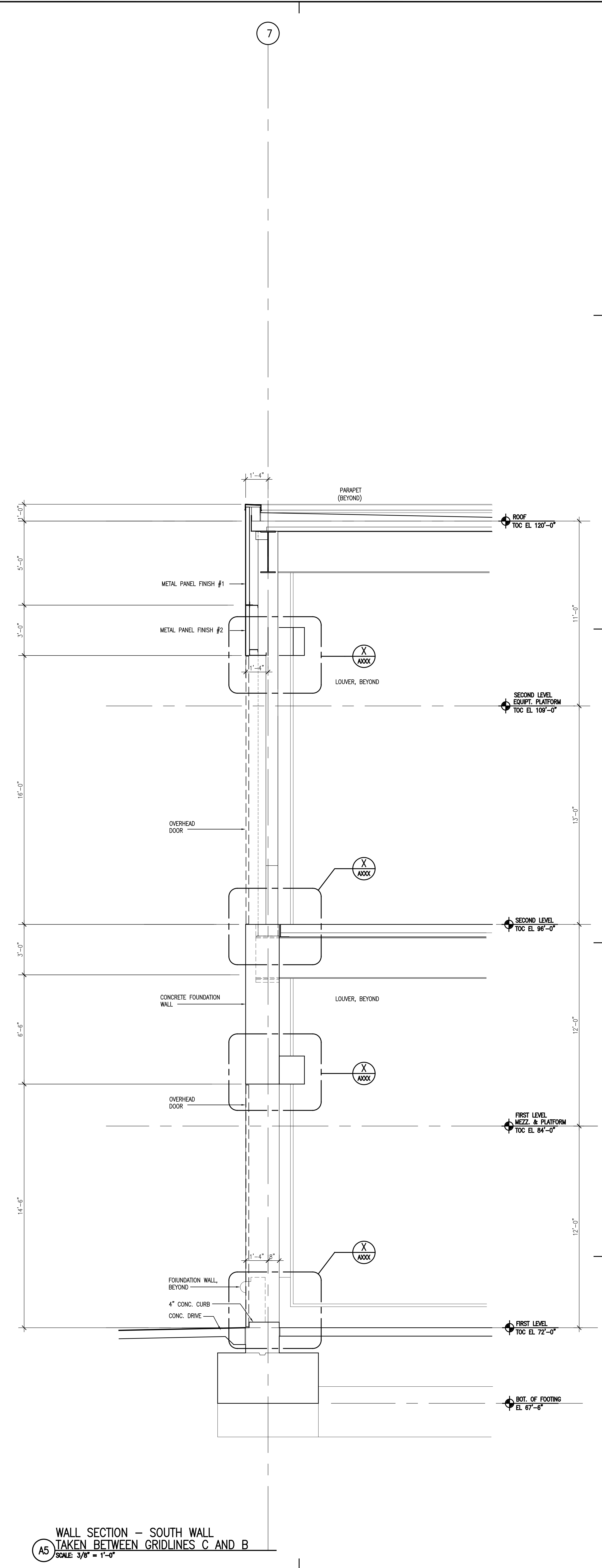


WALL SECTION - SOUTH WALL  
TAKEN AT STAIR 2  
SCALE: 3/8" = 1'-0"



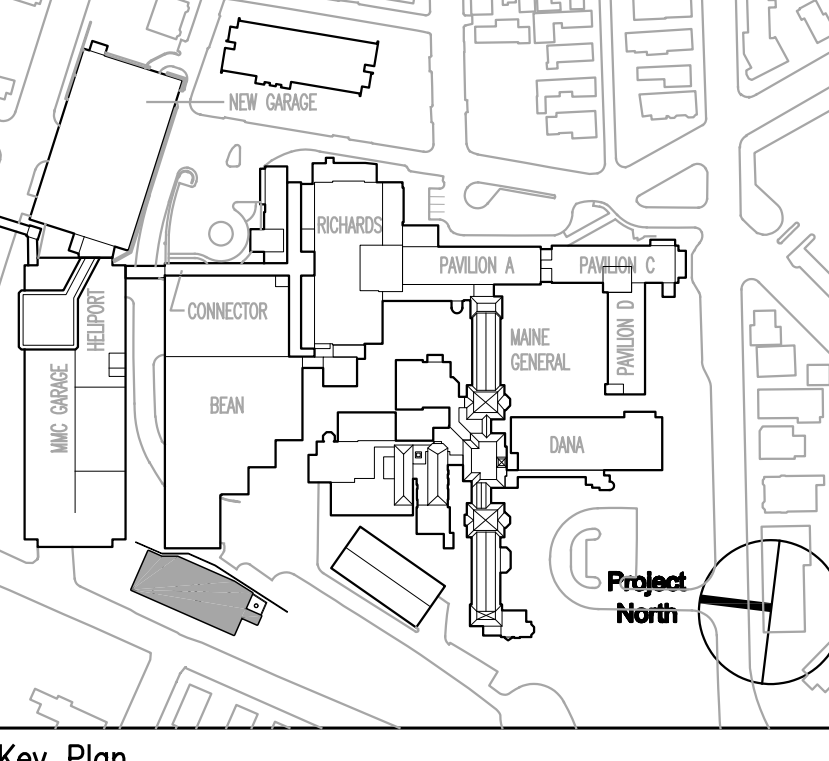
WALL SECTION - SOUTH WALL  
TAKEN BETWEEN GRIDLINES C AND B  
SCALE: 3/8" = 1'-0"



WALL SECTION - SOUTH WALL  
TAKEN BETWEEN GRIDLINES C AND B  
SCALE: 3/8" = 1'-0"

FOR PERMIT ONLY  
NOT FOR CONSTRUCTION

PERMIT 08/24/04 PERMIT SET - NOT FOR CONSTRUCTION  
Issue Log



**TRO**  
ARCHITECTURE  
PLANNING  
ENGINEERING  
INTERIOR DESIGN  
The Ritchie Organization  
80 Bridge Street  
Newton, MA 02459-1194  
617-552-0400

**Maine Medical Center**  
Central Utility Plant  
Portland, Maine

Drawing Title  
**WALL SECTIONS  
NO. 3**

Commission No.	4677	Date Issued	
Scale	3/8" = 1'-0"	Sheet Number	
Drawn By		Approved By	
Filename	4677A502.dwg		
Copyright	© 2004 The Ritchie Organization		

**A502**