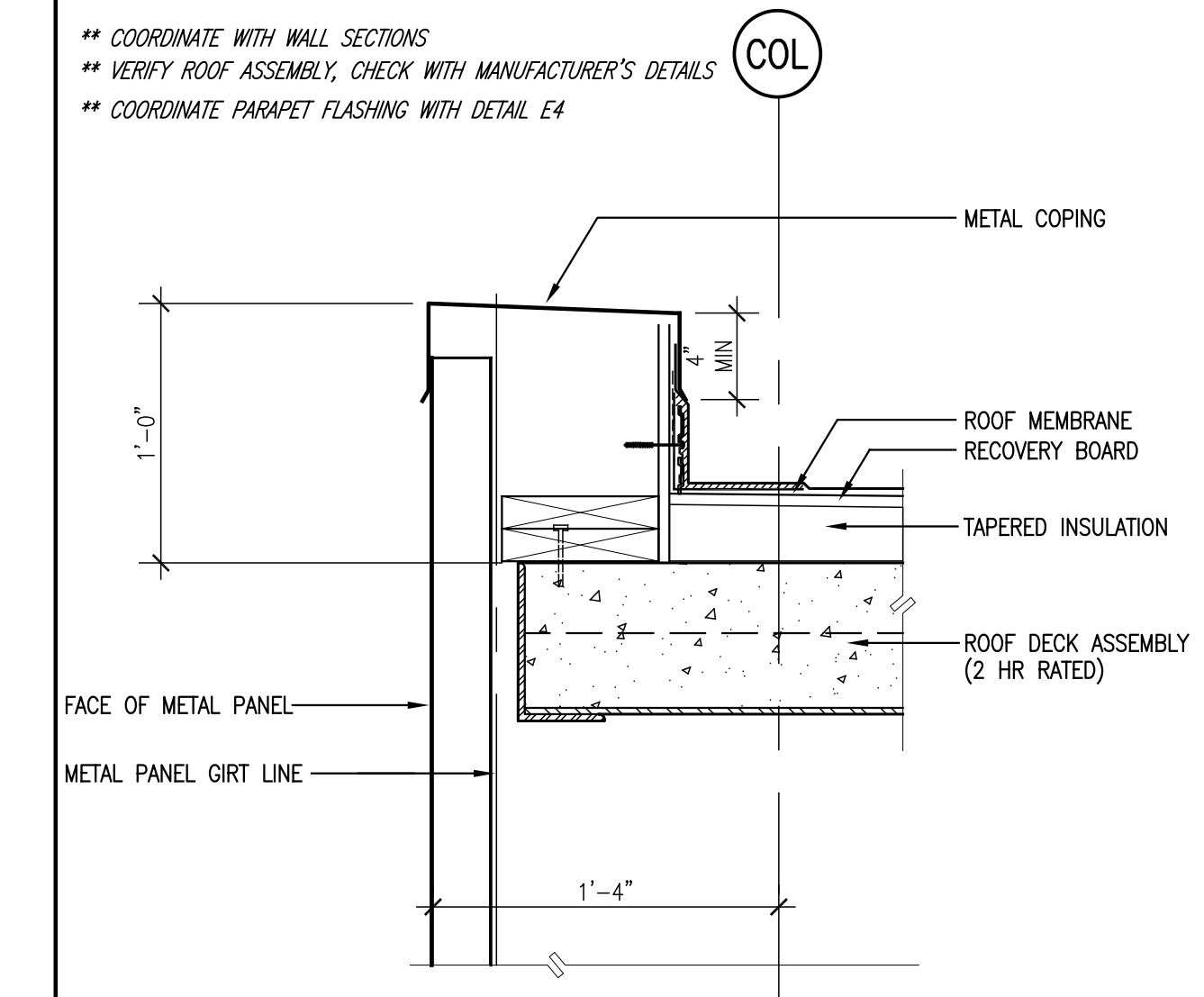
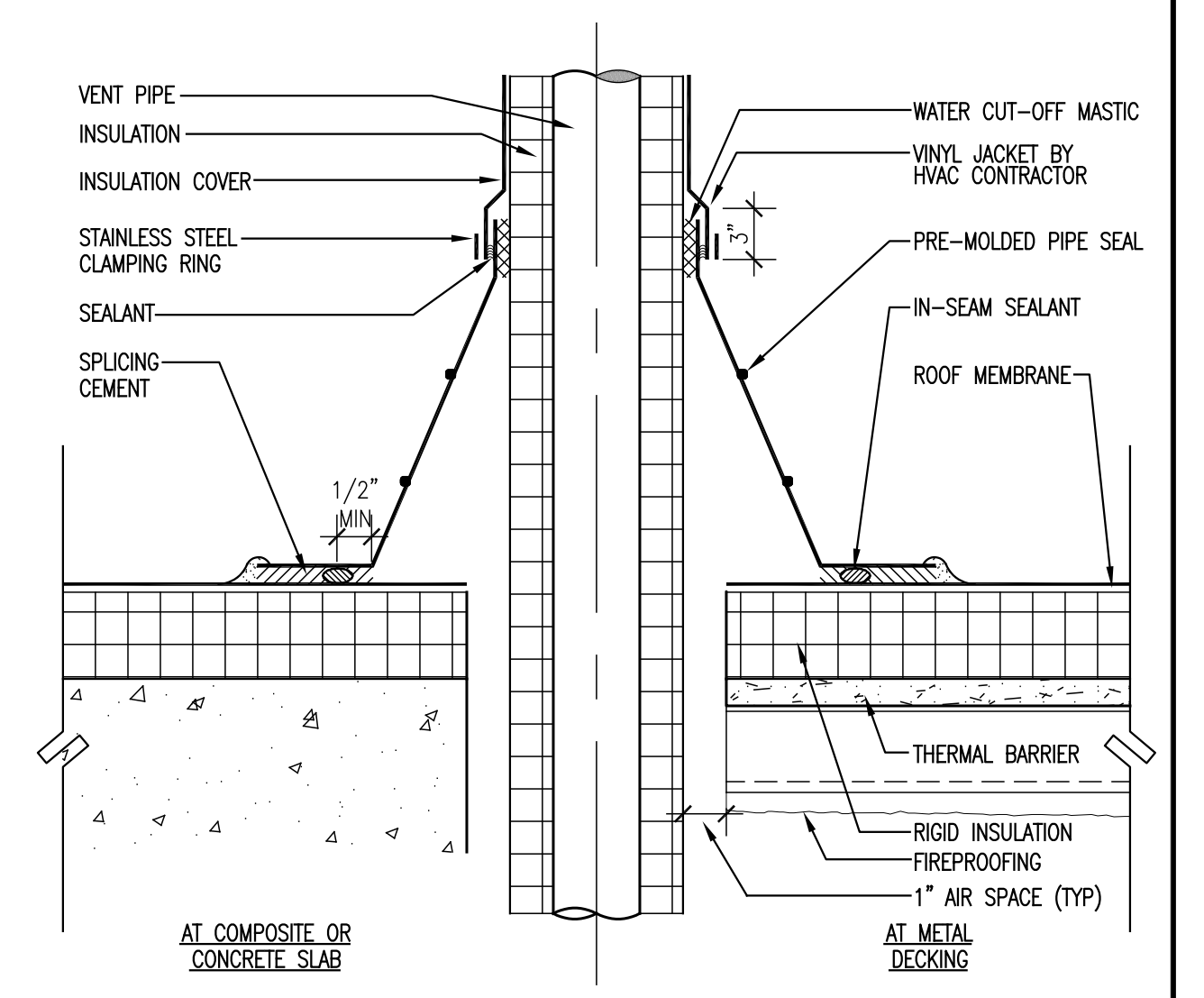


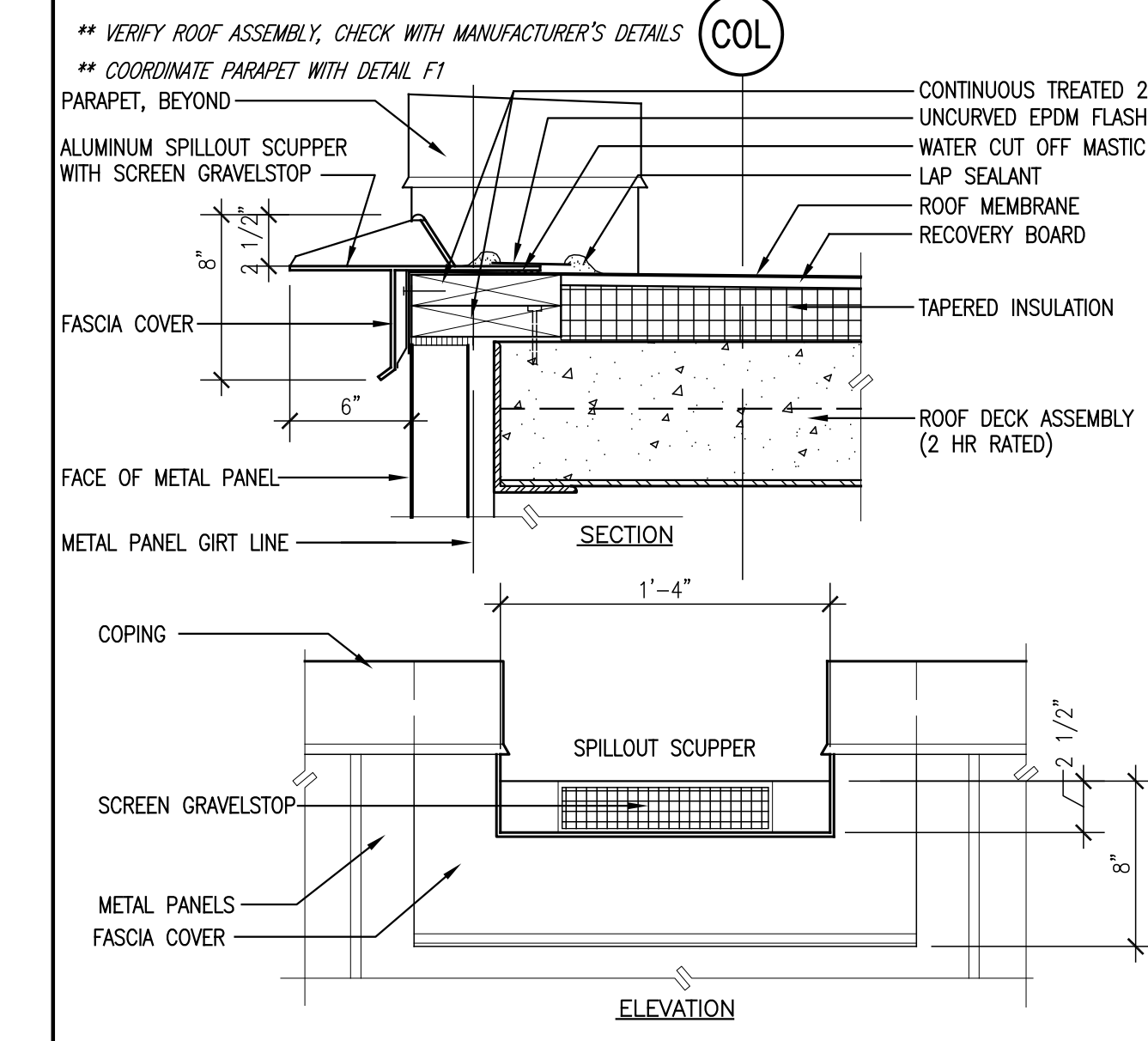
General Notes:



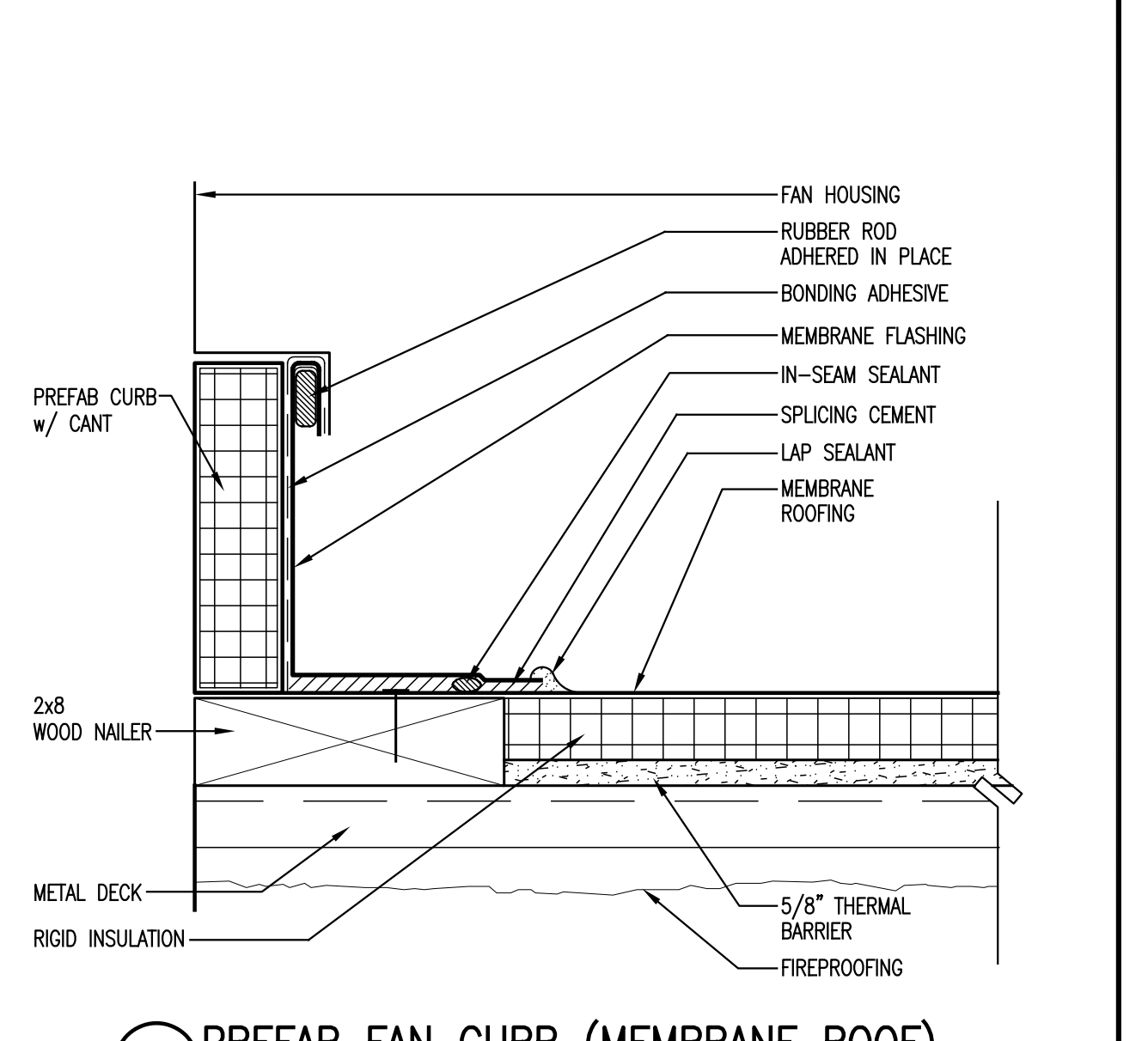
E1 PARAPET DETAIL
SCALE: 1 1/2" = 1'-0"



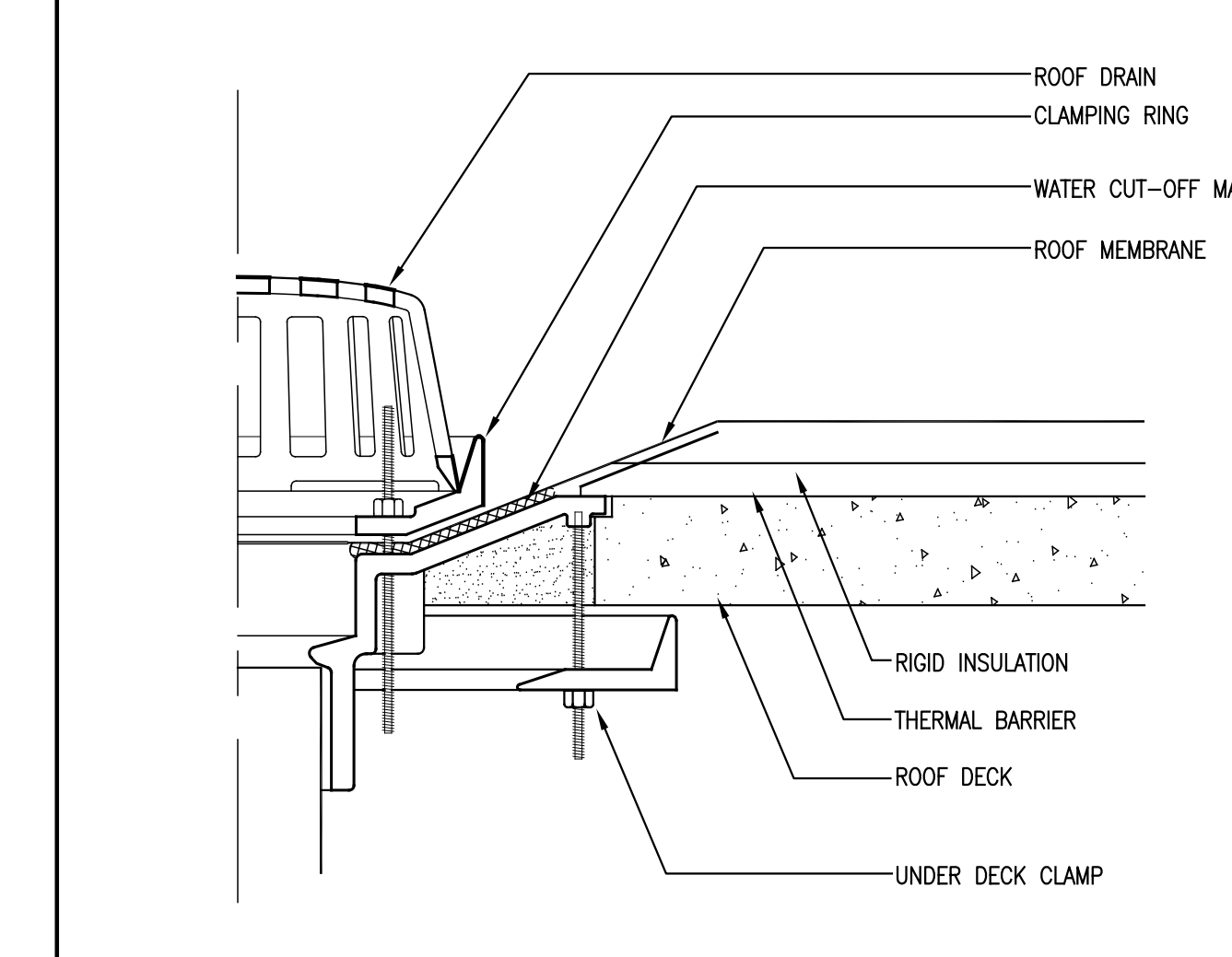
F1 INSULATED PIPE PENETRATION DETAIL
SCALE: 3" = 1'-0"



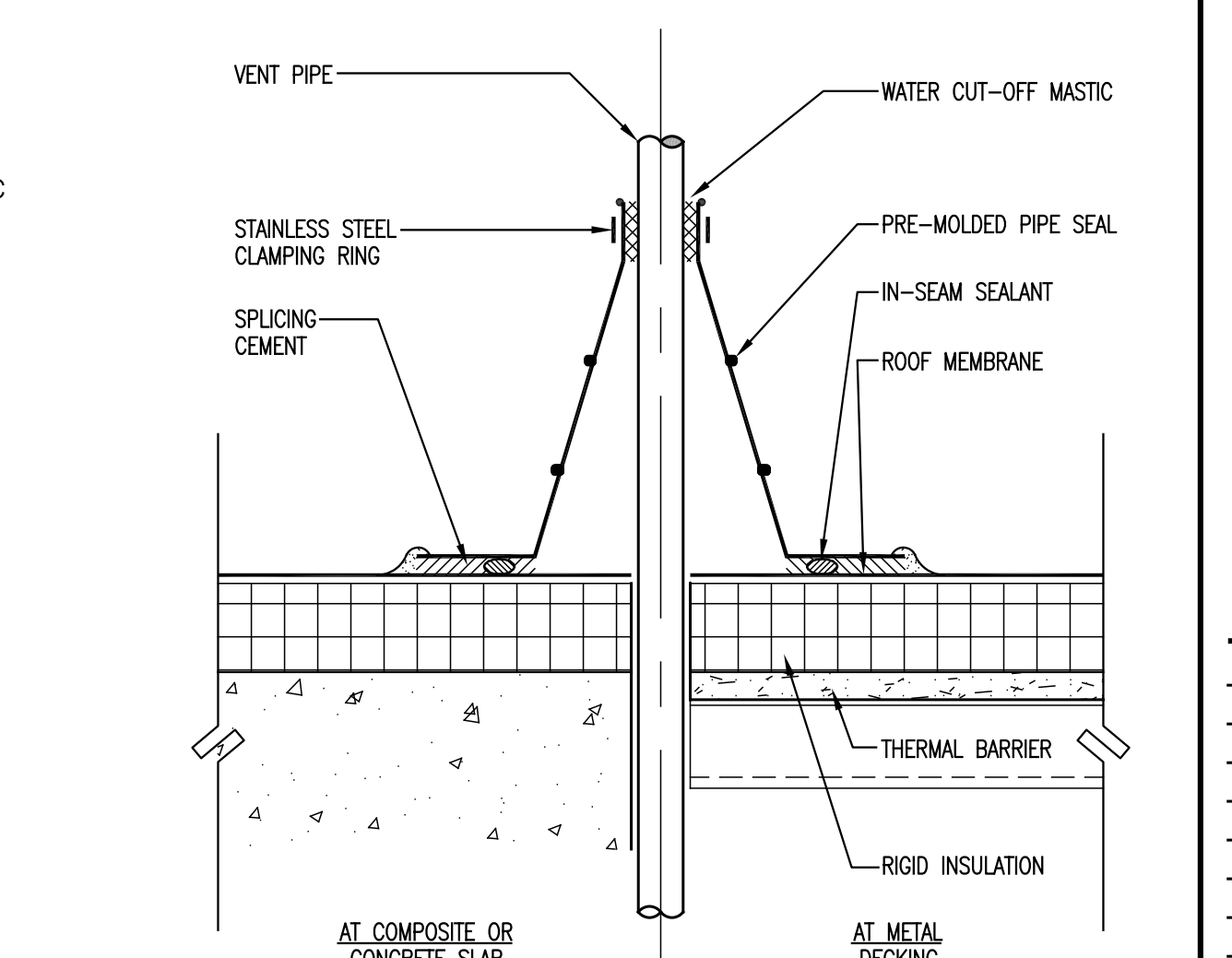
E2 SCUPPER DETAIL
SCALE: 1 1/2" = 1'-0"



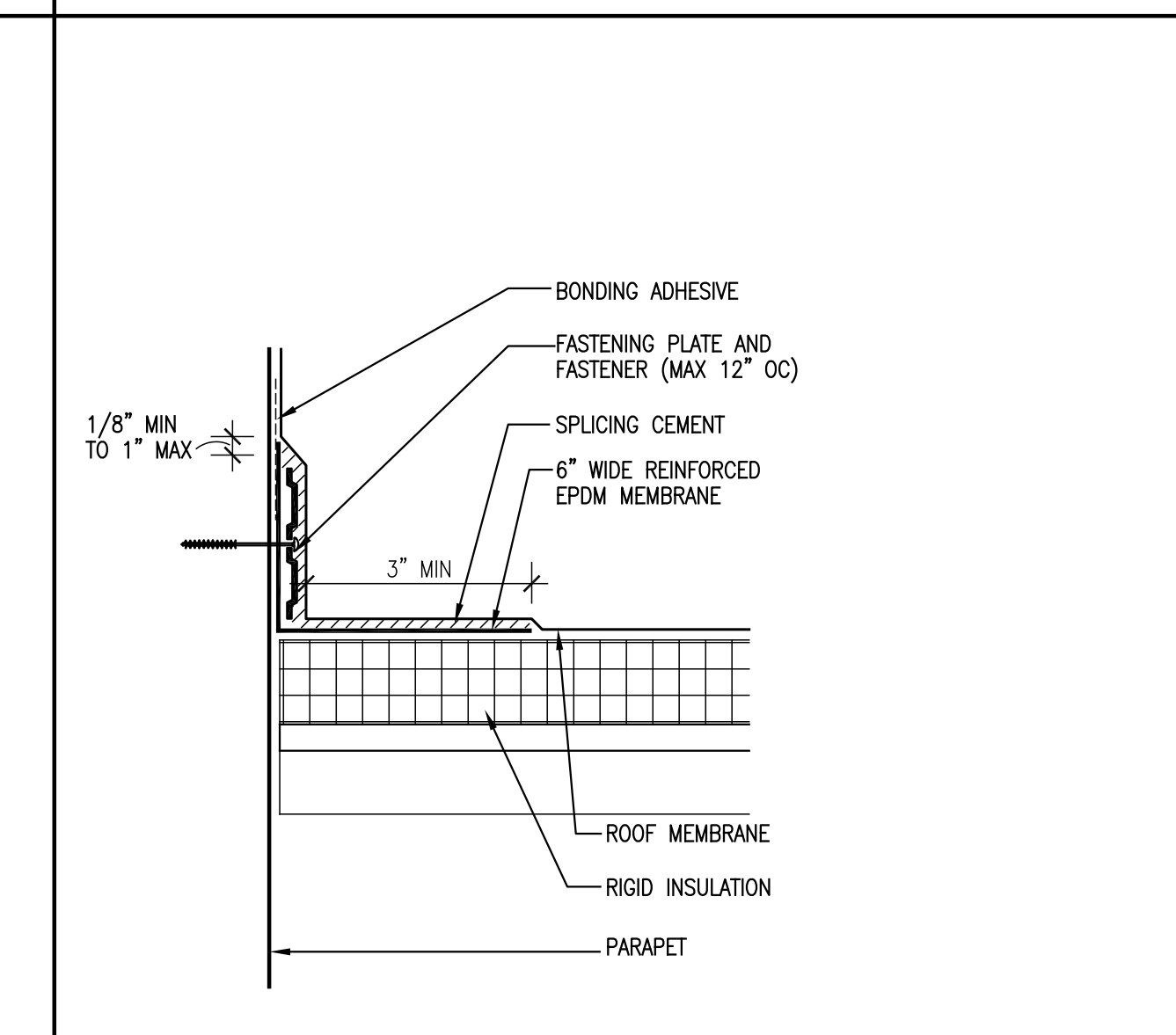
F2 PREFAB FAN CURB (MEMBRANE ROOF)
SCALE: 3" = 1'-0"



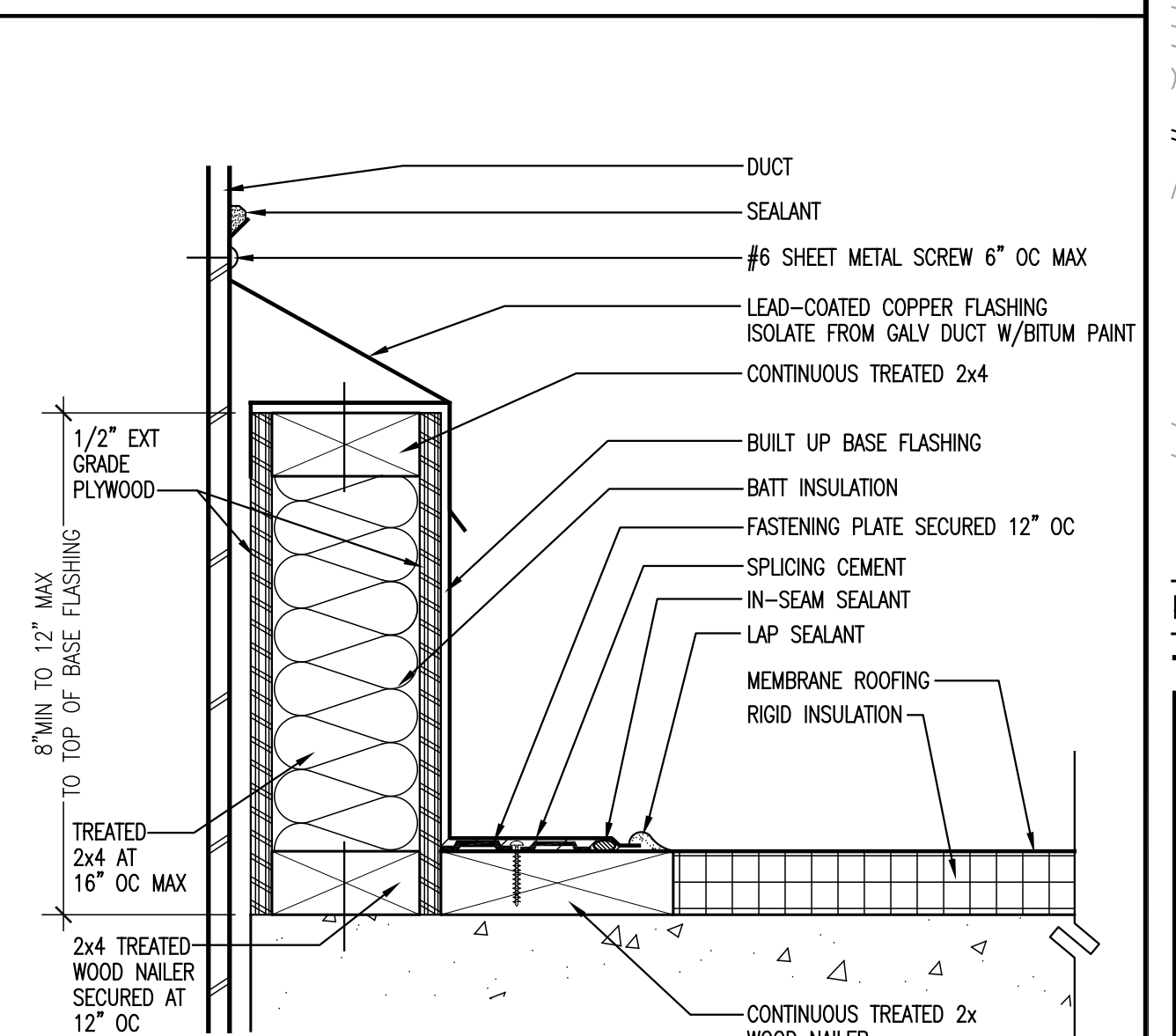
E3 ROOF DRAIN AT CONCRETE OR COMPOSITE DECK (MEMBRANE)
SCALE: 3" = 1'-0"



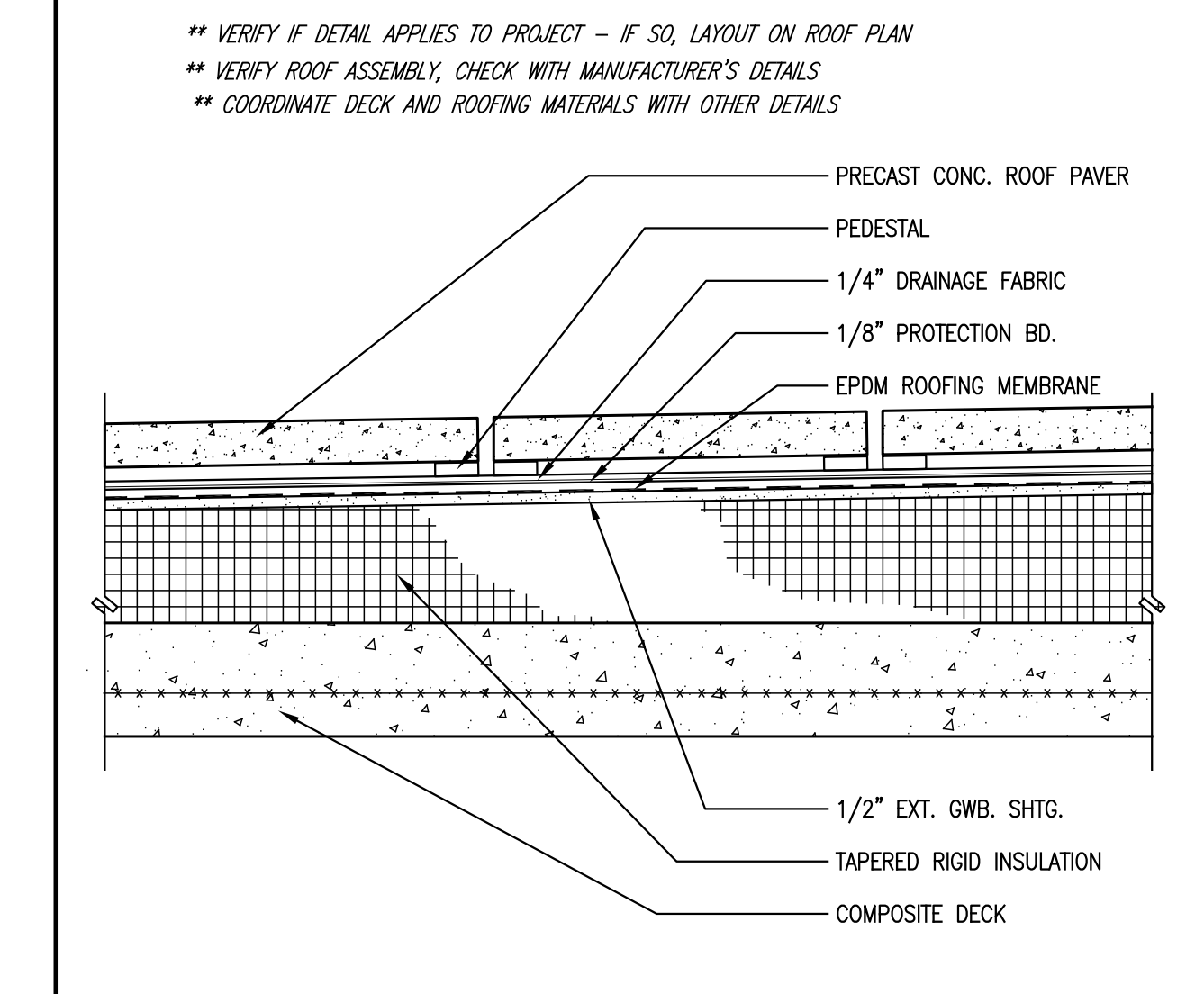
F3 PIPE PENETRATION DETAIL
SCALE: 3" = 1'-0"



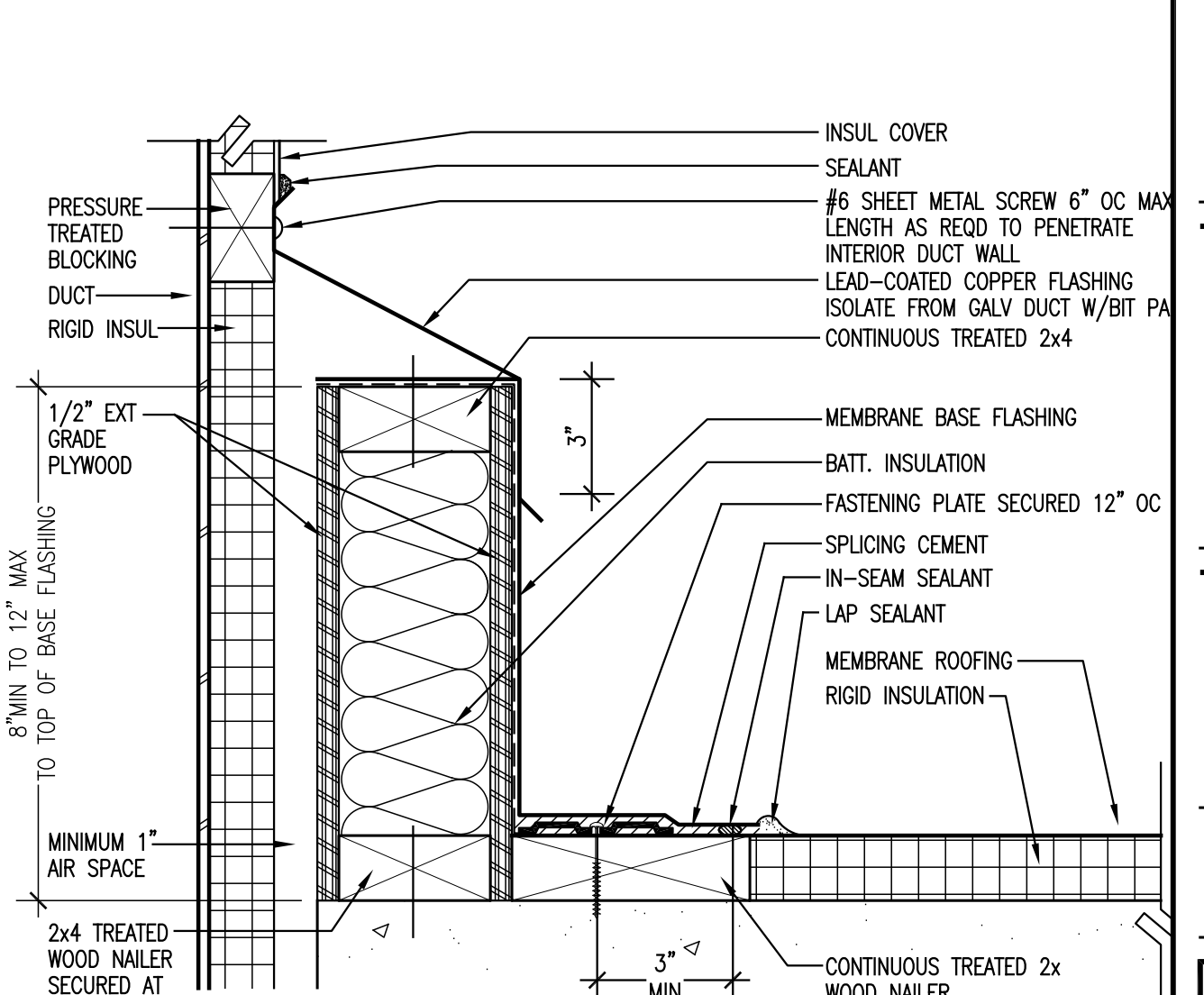
E4 ROOFING AT PARAPET (MEMBRANE)
SCALE: 3" = 1'-0"



F5 CURB AT DUCT PENETRATION (MEMBRANE)
SCALE: 3" = 1'-0"



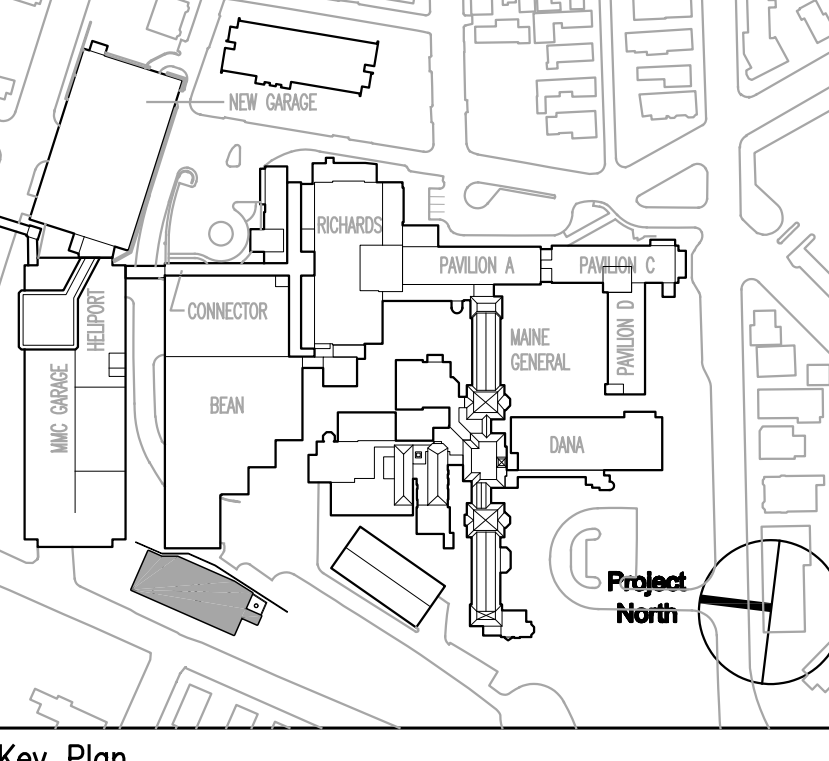
E5 EXTERIOR PAVERS ON MEMBRANE ROOFING DETAIL
SCALE: 1 1/2" = 1'-0"



F4 CURB AT DUCT PENETRATION (MEMBRANE) SHOWING INSULATED DUCT
SCALE: 3" = 1'-0"

FOR PERMIT ONLY
NOT FOR CONSTRUCTION

PERMIT 08/24/04 PERMIT SET - NOT FOR CONSTRUCTION
Issue Log



Key Plan

TRO
ARCHITECTURE
PLANNING
ENGINEERING
INTERIOR DESIGN
The Ritchie Organization
80 Bridge Street
Newton, MA 02459-1154
617-550-0400

Maine Medical Center
Central Utility Plant
Portland, Maine

Drawing Title
ROOF DETAILS

Commission No.	4677	Date Issued	
Scale		Sheet Number	
Drawn By		Approved By	
Checked By	4677A211.dwg		
Copyright © 2004	The Ritchie Organization		A211