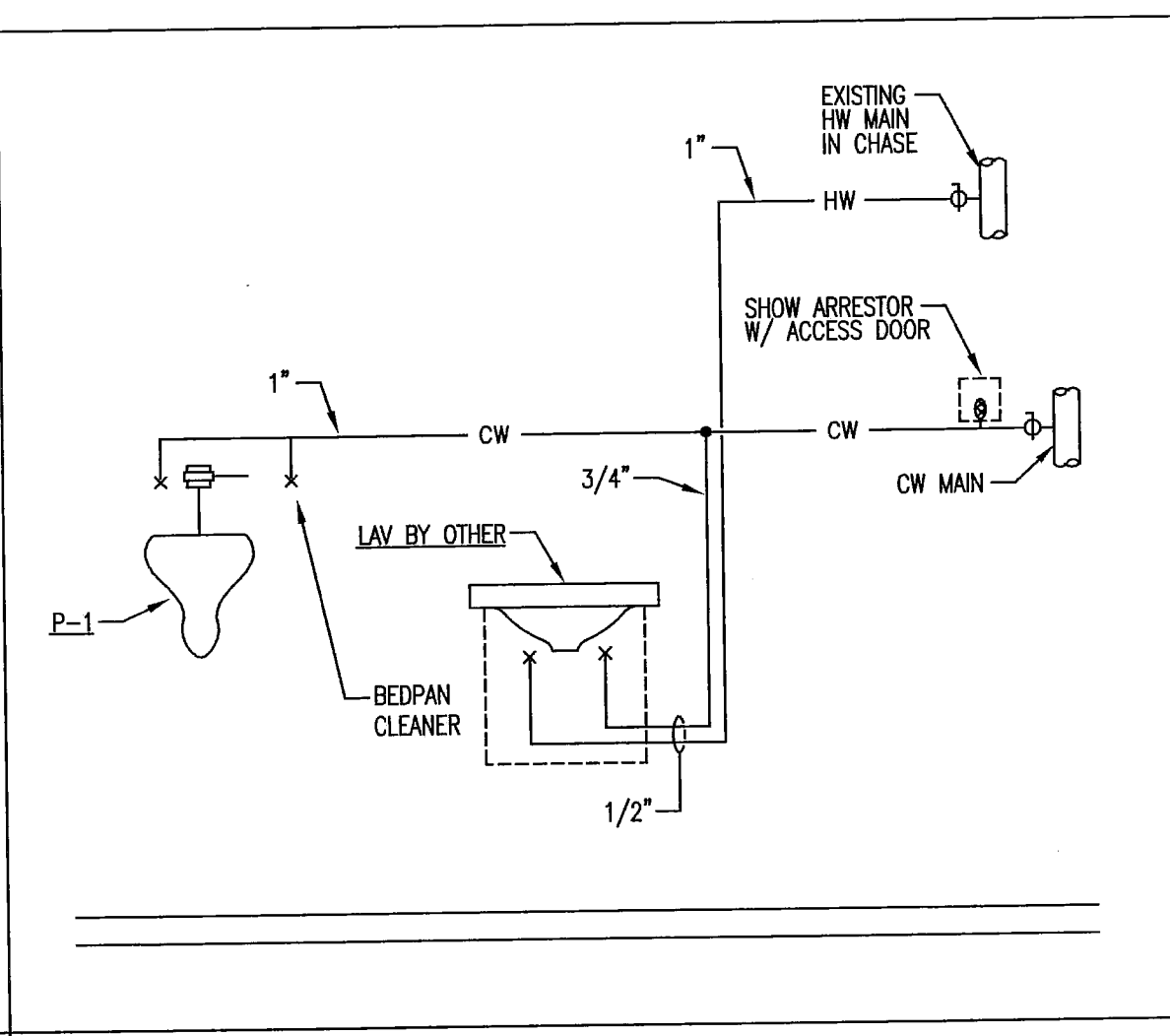


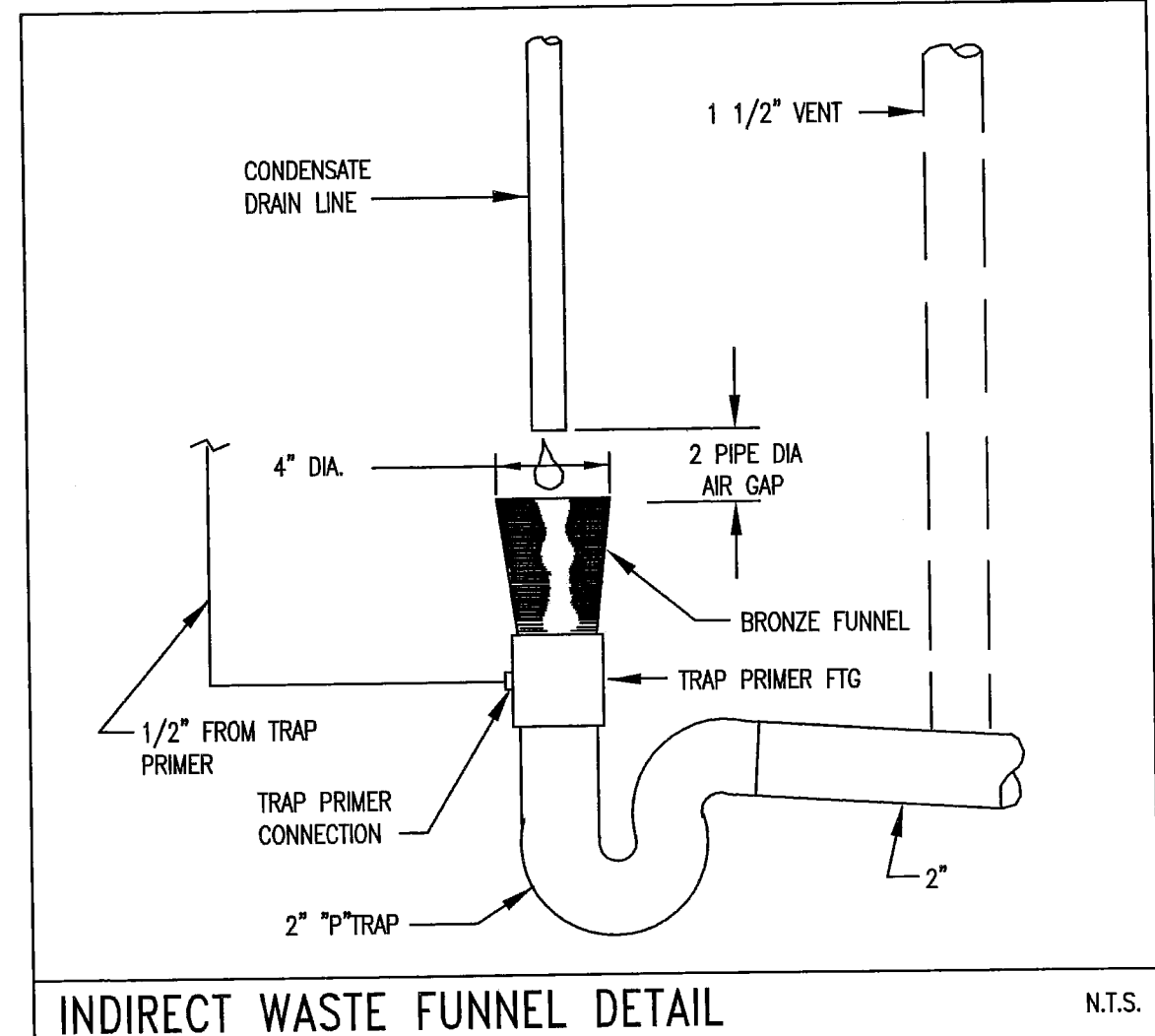
SANITARY/VENT RISER NO. 1

N.T.S.



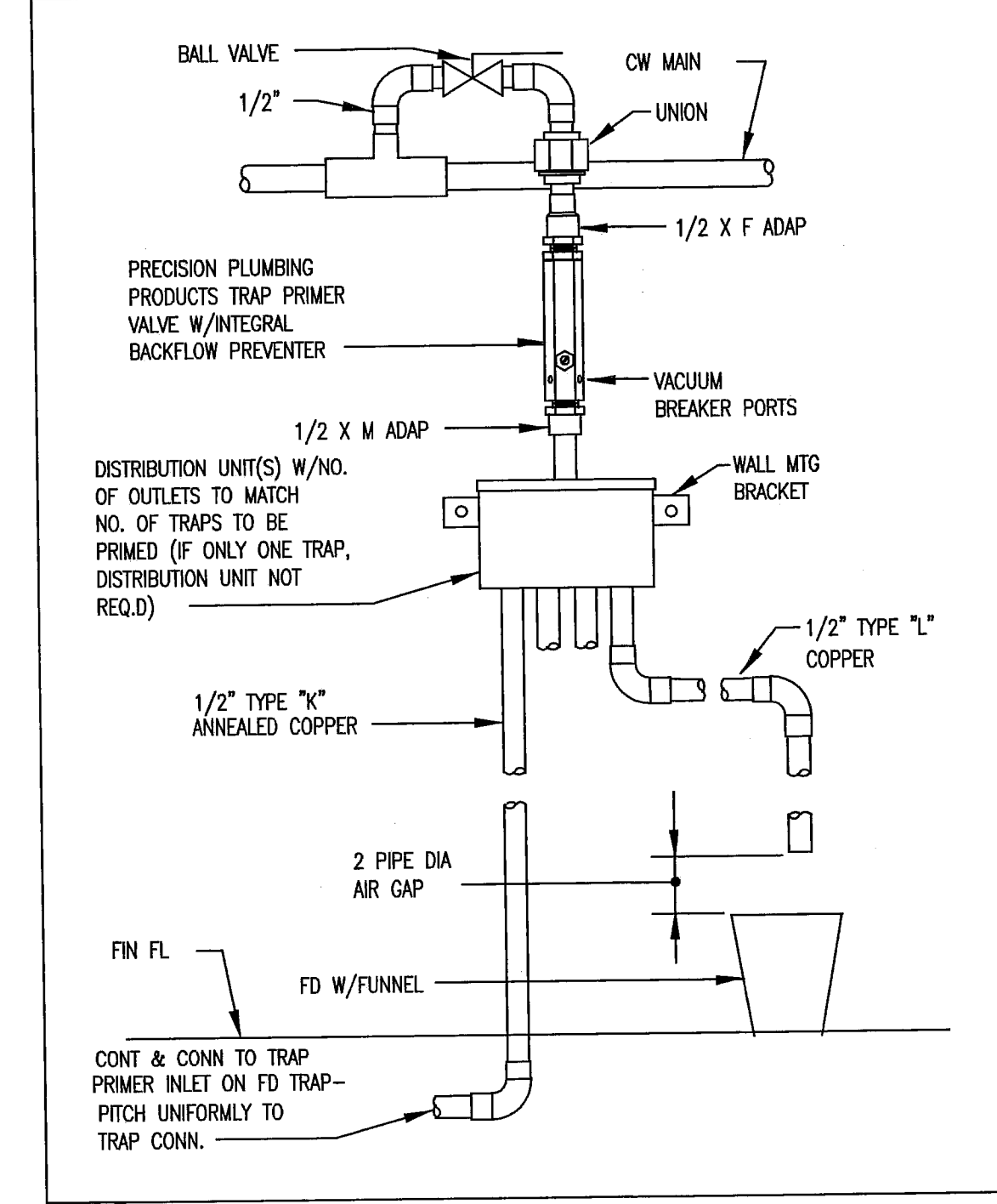
DOMESTIC WATER RISER NO. 1

N.T.S.



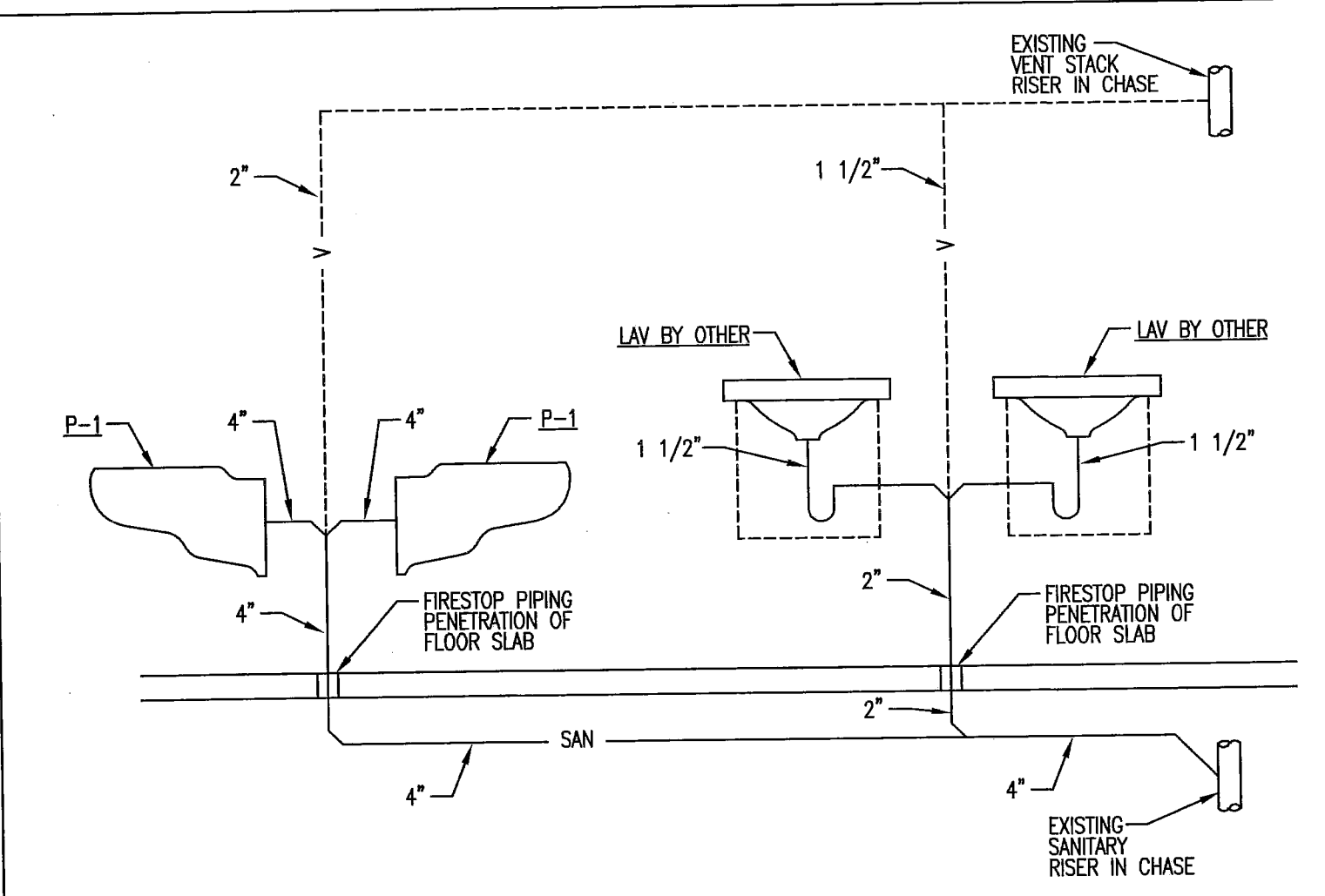
INDIRECT WASTE FUNNEL DETAIL

N.T.S.



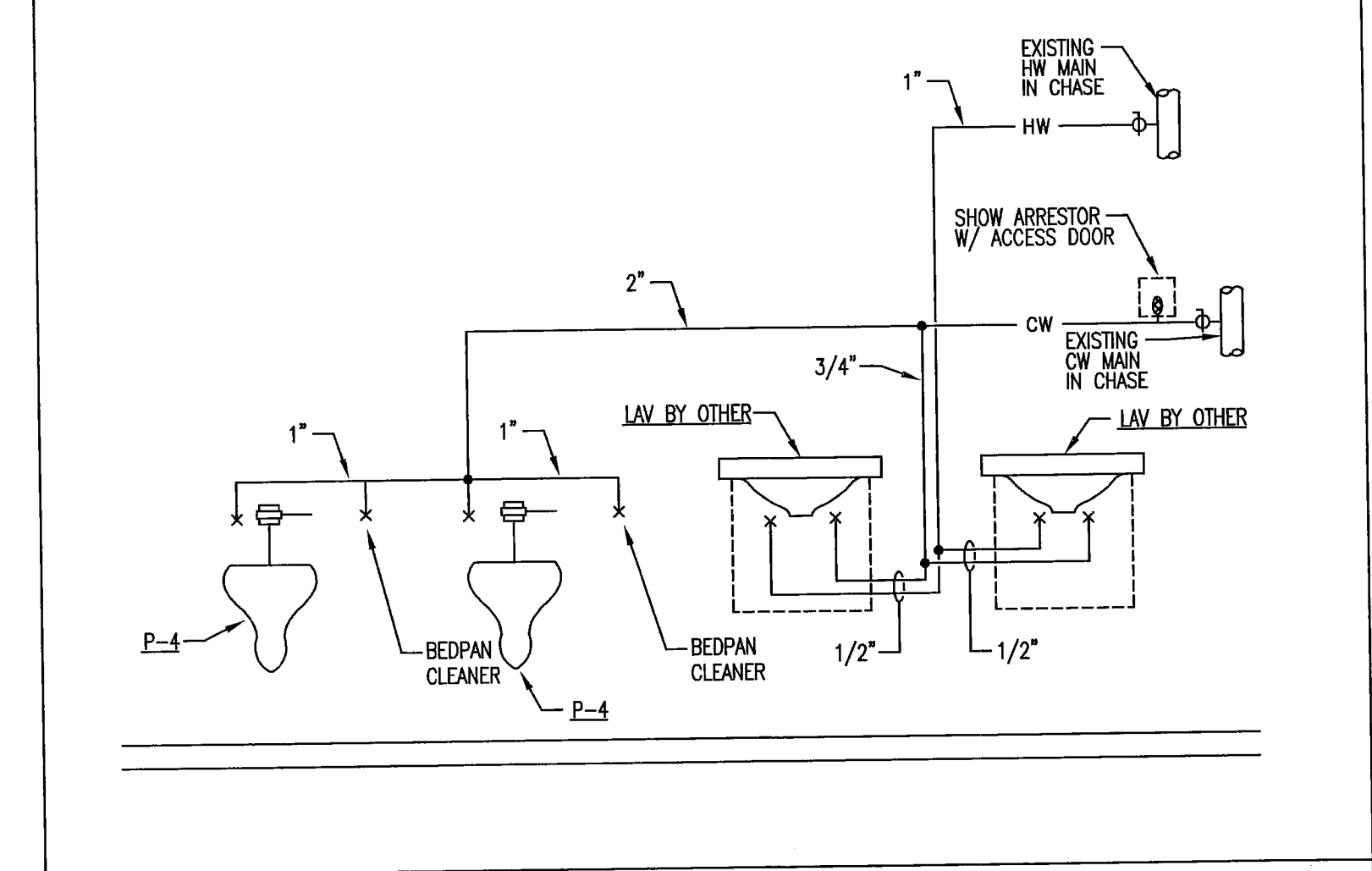
TRAP PRIMER DETAIL

N.T.S.



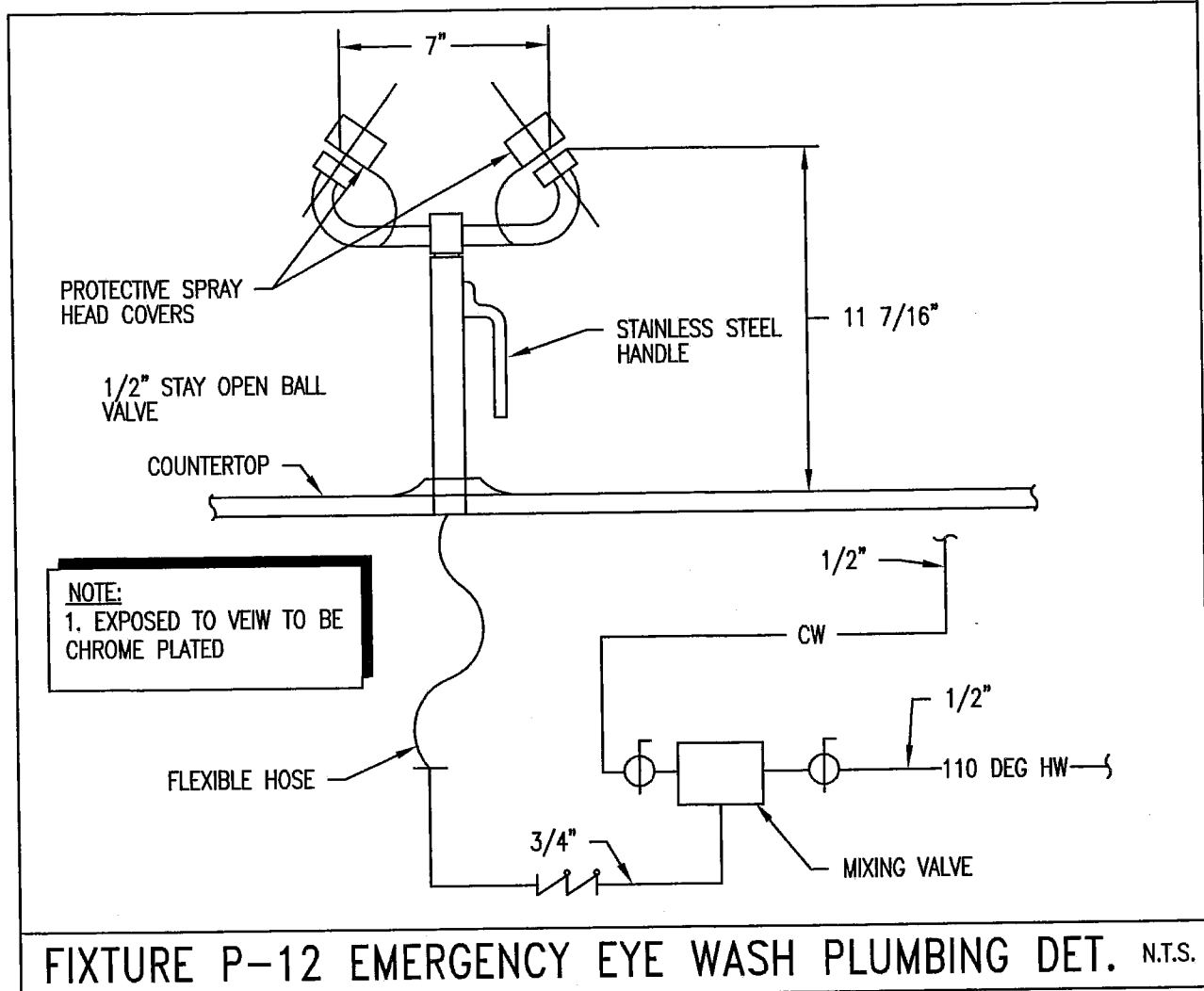
SANITARY/VENT RISER NO. 2

N.T.S.



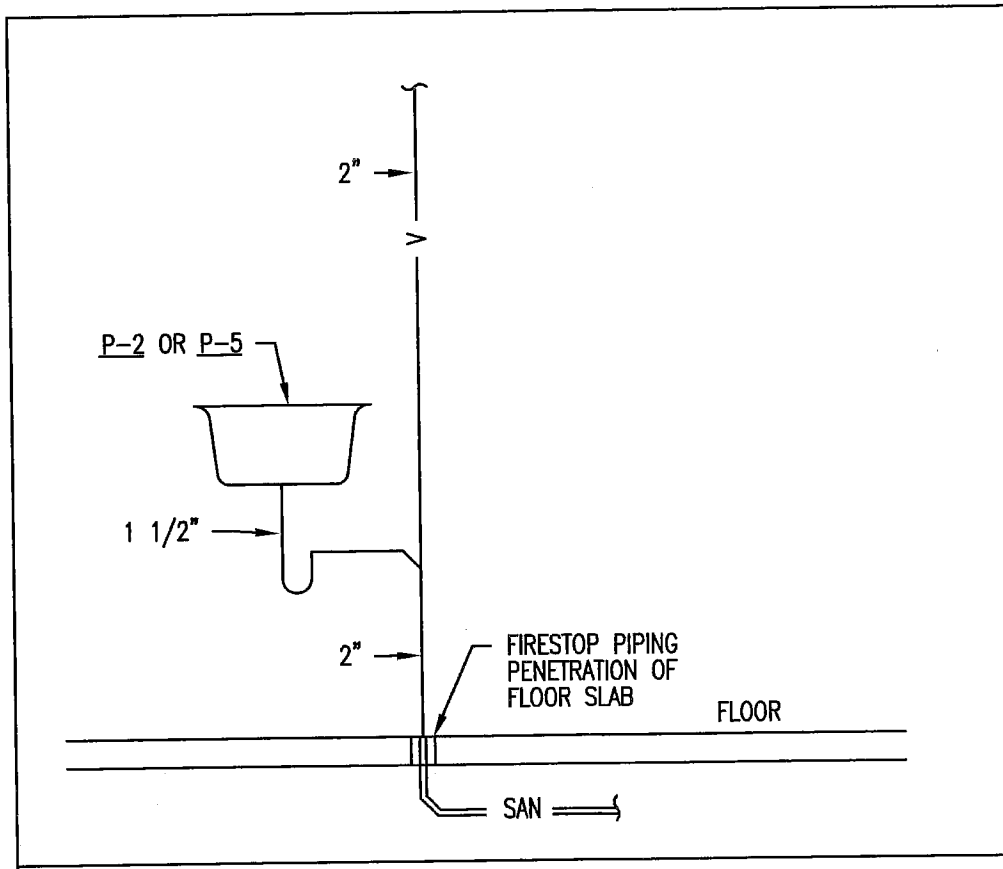
DOMESTIC WATER RISER NO. 2

N.T.S.



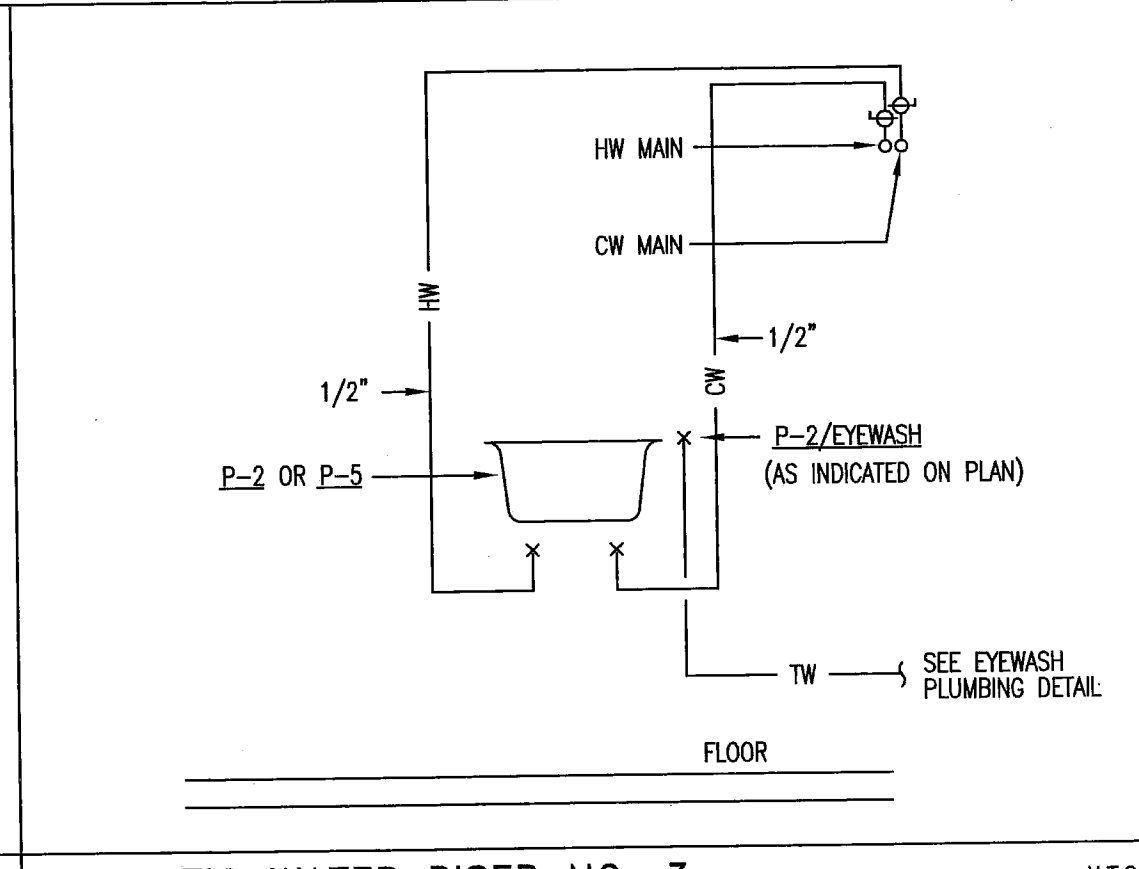
FIXTURE P-12 EMERGENCY EYE WASH PLUMBING DET.

N.T.S.



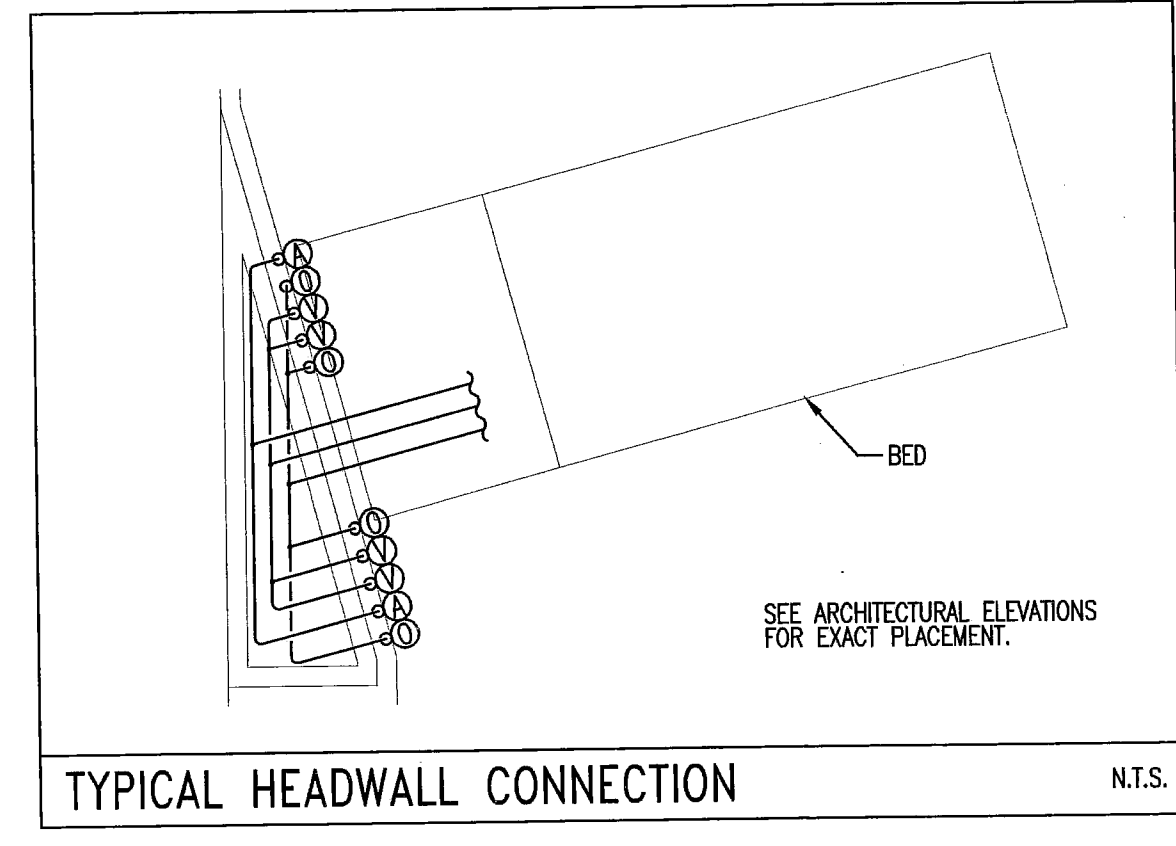
SANITARY/VENT RISER NO. 3

N.T.S.



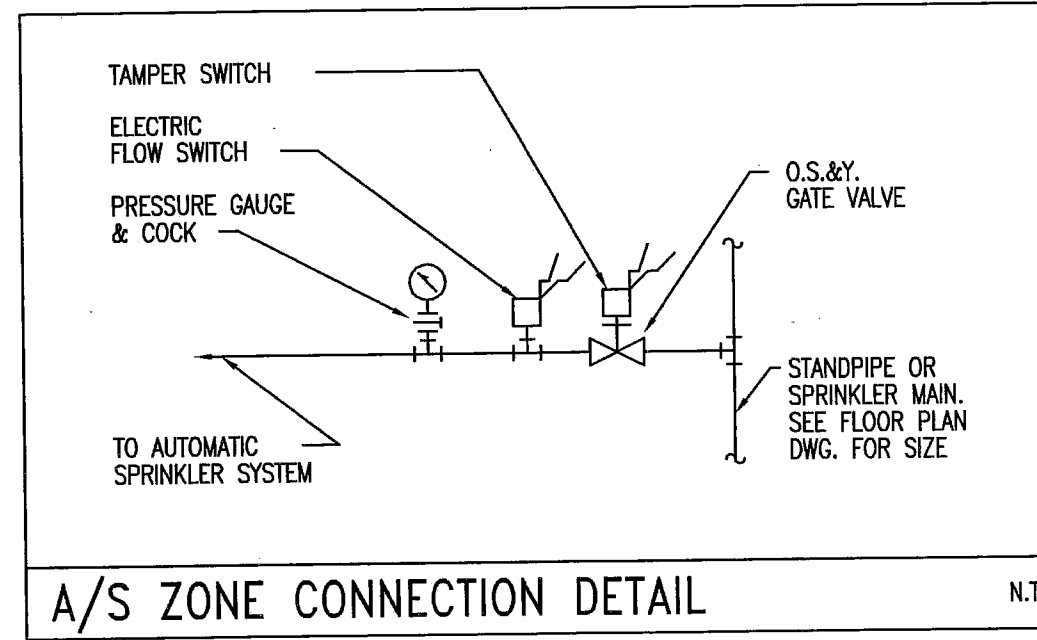
DOMESTIC WATER RISER NO. 3

N.T.S.



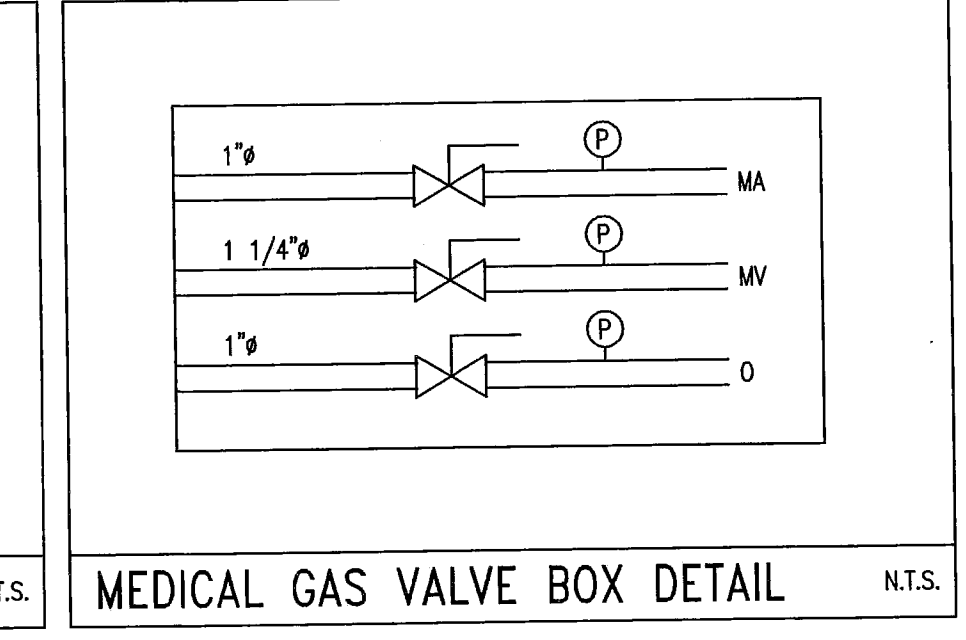
TYPICAL HEADWALL CONNECTION

N.T.S.



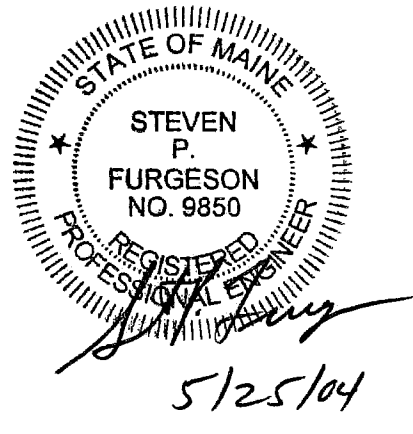
A/S ZONE CONNECTION DETAIL

N.T.S.



MEDICAL GAS VALVE BOX DETAIL

N.T.S.



L:\25486\Cadd\ContrDocs-25-04\25486P07.dwg May 24, 2004 - 4:20pm