

ARCHITECTS  
INTERIORS  
PLANNERS

55 GREEN STREET  
PORTSMOUTH, NH 03801  
T 603.436.2551  
F 603.436.6973  
www.jsainc.com

NEILL & GUNTER, Inc.  
Design and Consulting Engineers  
Scarborough, Maine

RENOVATIONS TO  
RICHARD'S 4th FLOOR  
INTERMEDIATE CARE  
UNITS

MAINE MEDICAL CENTER  
Portland, Maine

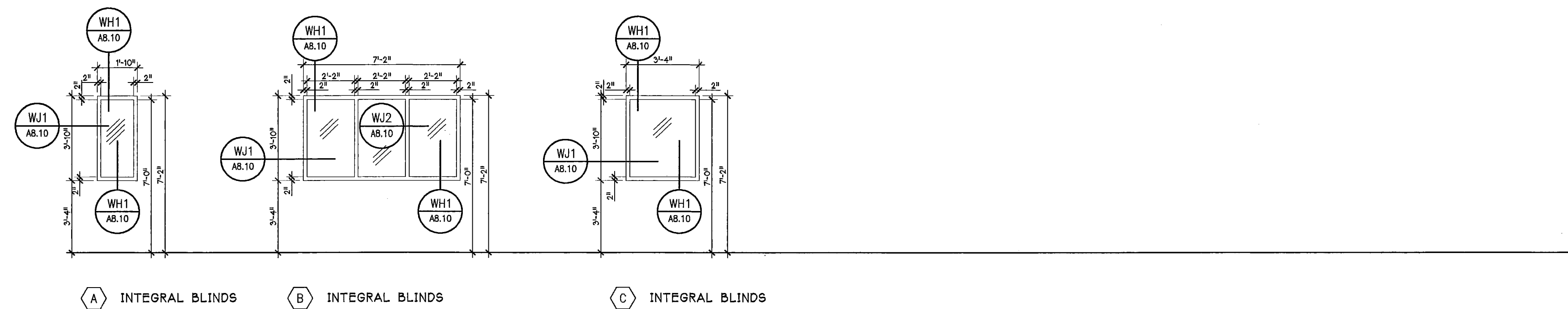


Scale: AS NOTED  
Project Number: 02-021  
Date: May 25, 2004  
Revisions:

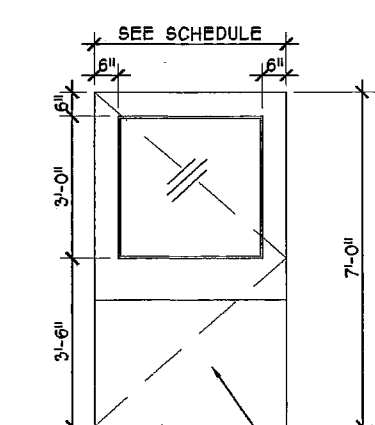
CONSTRUCTION  
DOCUMENTS

A8.10

© Copyright 2002, JSA, Inc

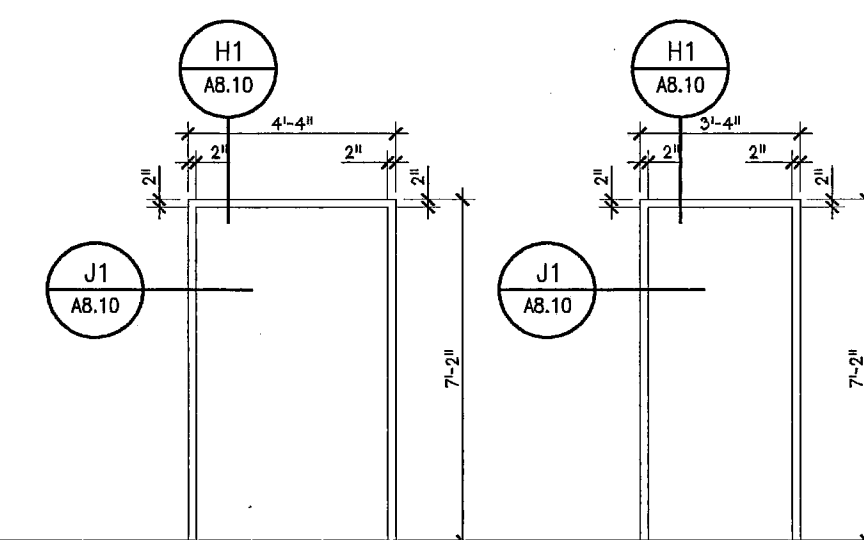


1 WINDOW TYPES  
1/4" = 1'-0"



D1  
WOOD W/  
WINDOW (TEMP  
GLASS)

2 DOOR TYPES  
1/4" = 1'-0"



F1 F2

3 FRAME TYPES  
1/4" = 1'-0"

<p>WJ2 WINDOW MULLION 3" = 1'-0" f:\acad\proj\p103\0-base\4-detail\9-window\P103A-WNJ2</p>	<p>WJ1 TYPICAL WINDOW JAMB 3" = 1'-0" f:\acad\proj\p103\0-base\4-detail\9-window\P103A-WNJ1</p>	<p>WH1 WINDOW HEAD/SILL 3" = 1'-0" f:\acad\proj\p103\0-base\4-detail\9-window\P103A-WNH1</p>
		<p>H1 TYPICAL DOOR HEAD 3" = 1'-0" f:\acad\proj\p103\0-base\4-detail\7-door\P103A-DRH1</p>

DOOR, WINDOW & FRAME TYPES AND DETAILS