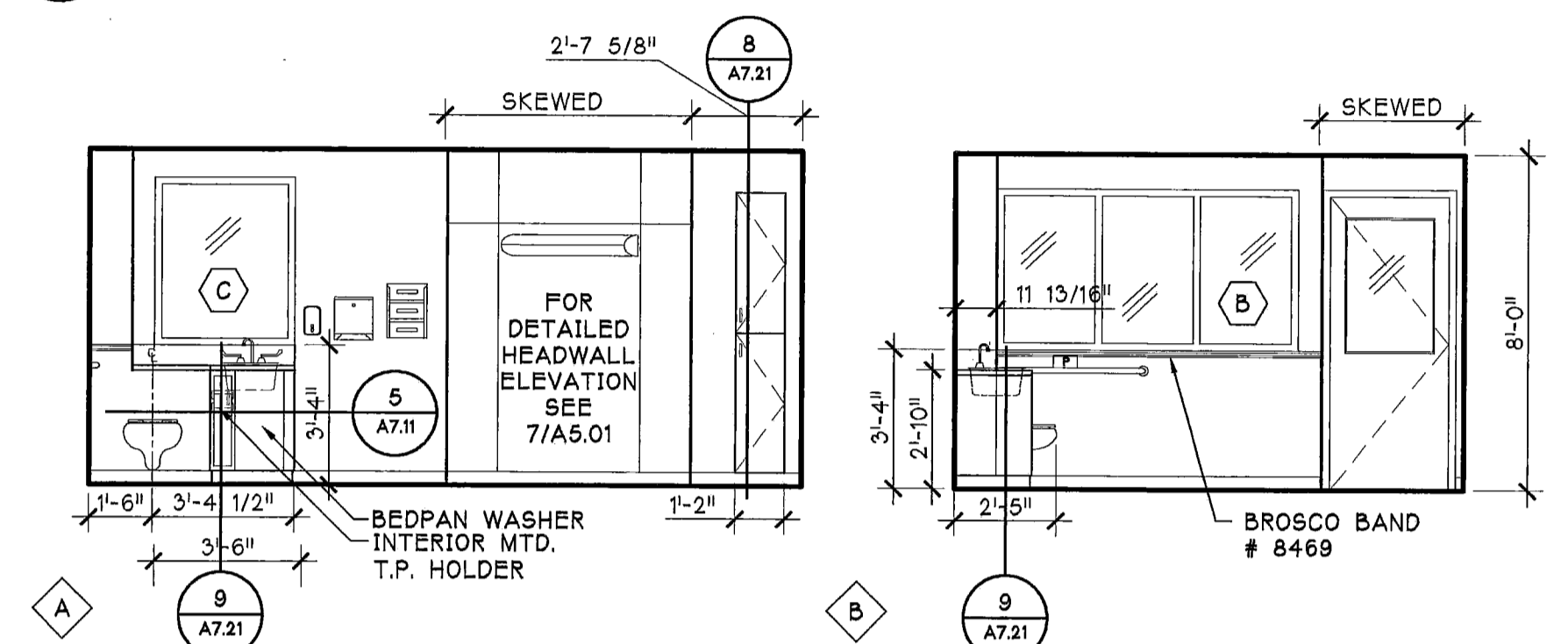
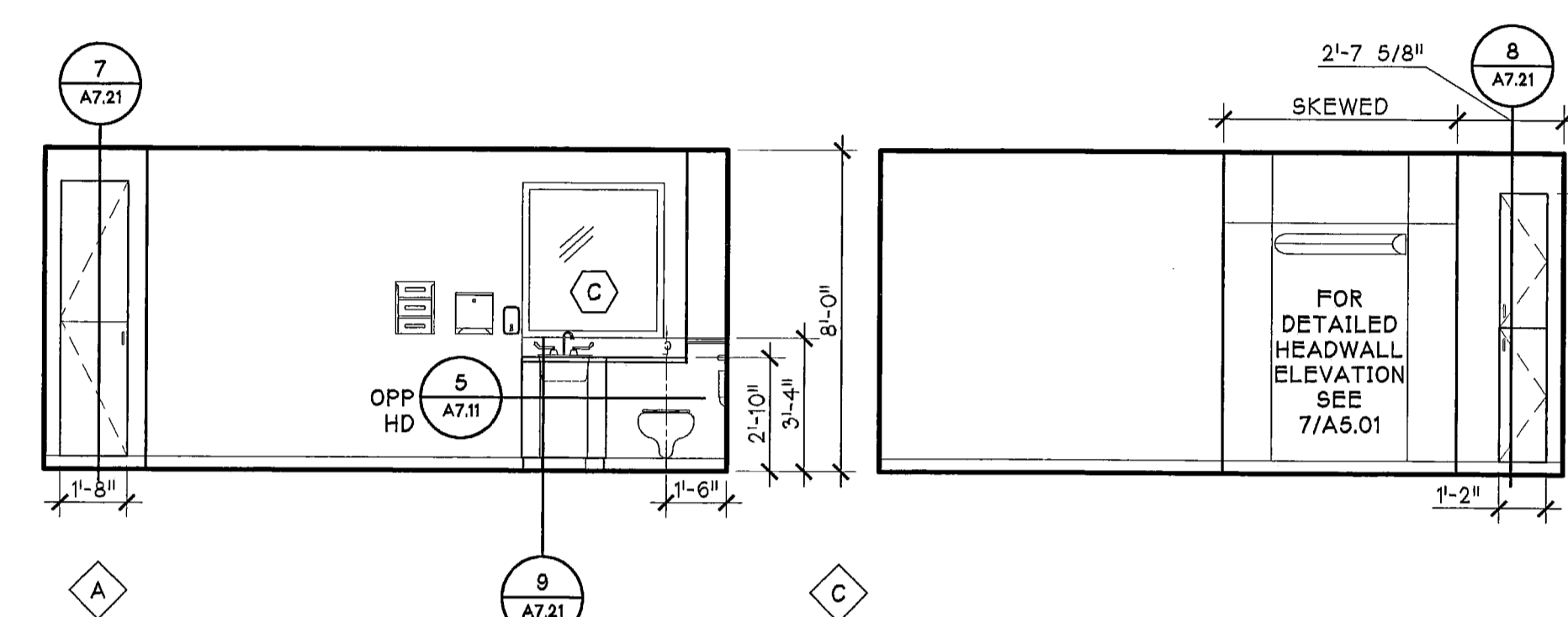


1 CORRIDOR
1/4" = 1'-0"

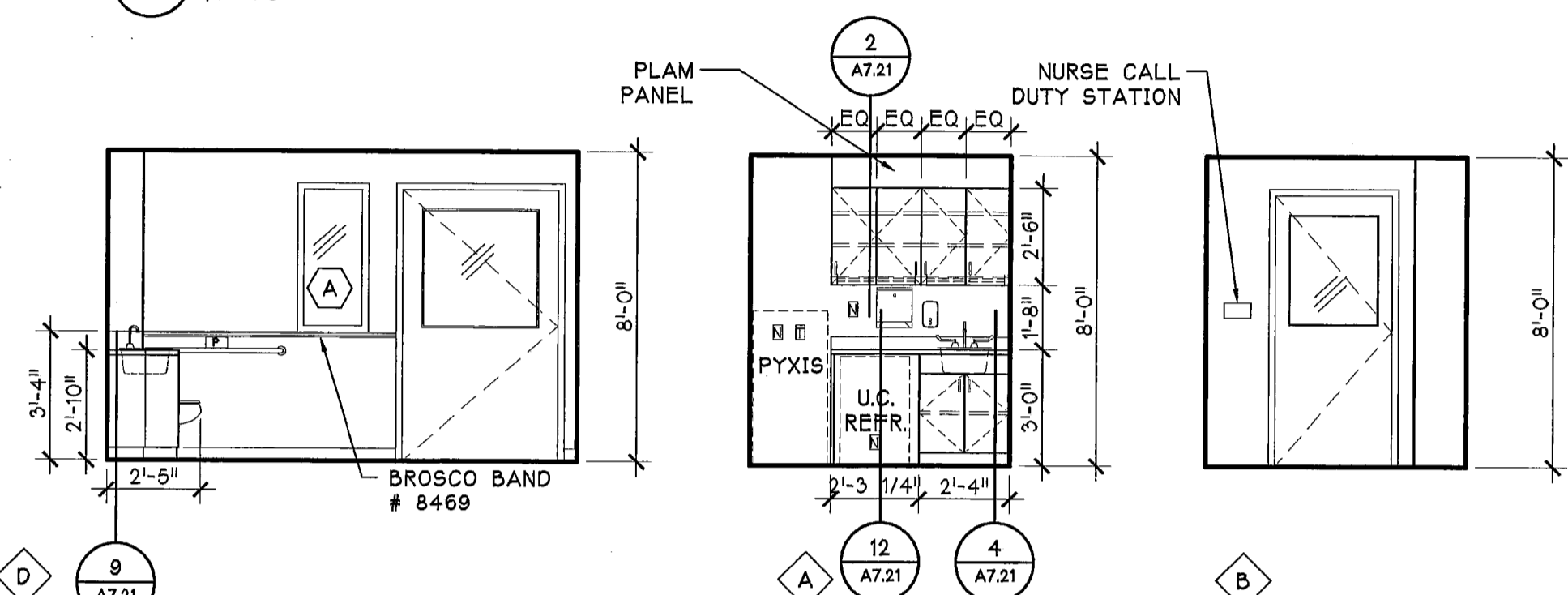
2 PATIENT ROOM 1 (ADA)
1/4" = 1'-0"



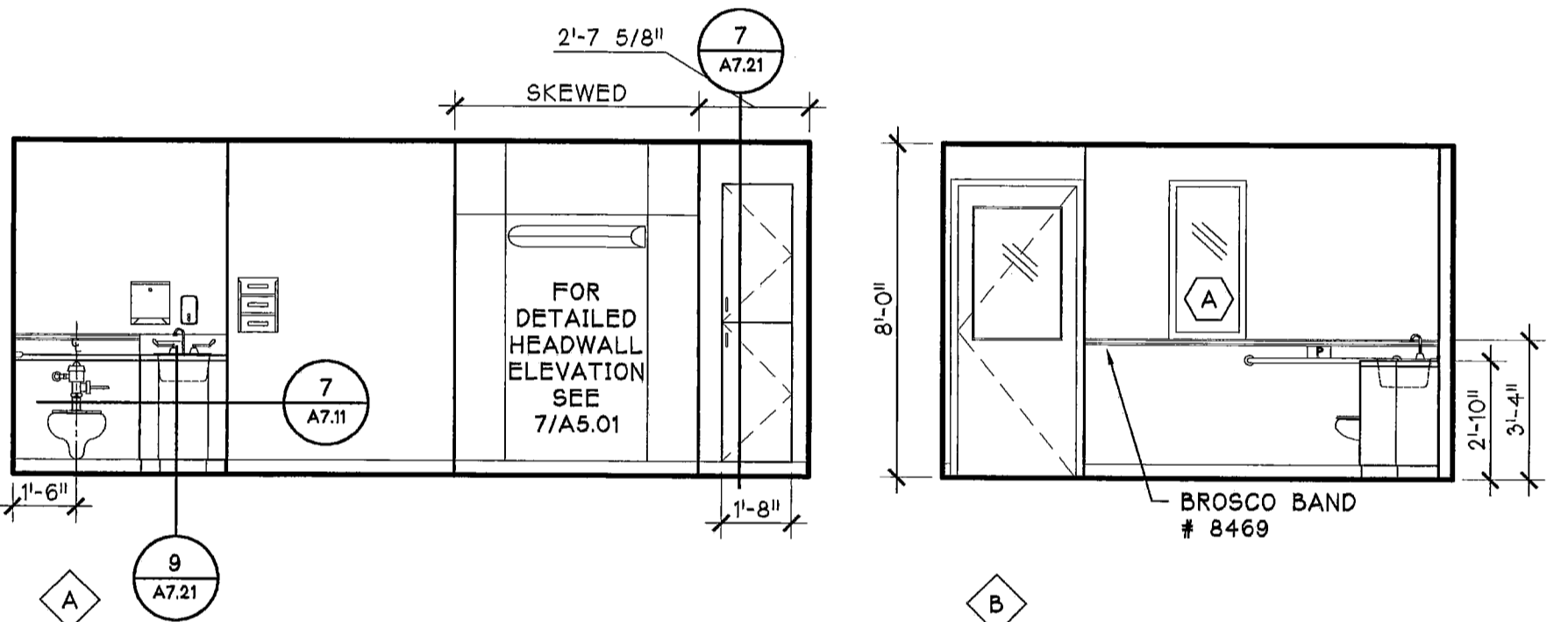
3 PATIENT ROOMS 2 & 5 (OPP. HD.)
1/4" = 1'-0"



4 PATIENT ROOM 3 & 4 (OPP. HD.)
1/4" = 1'-0"

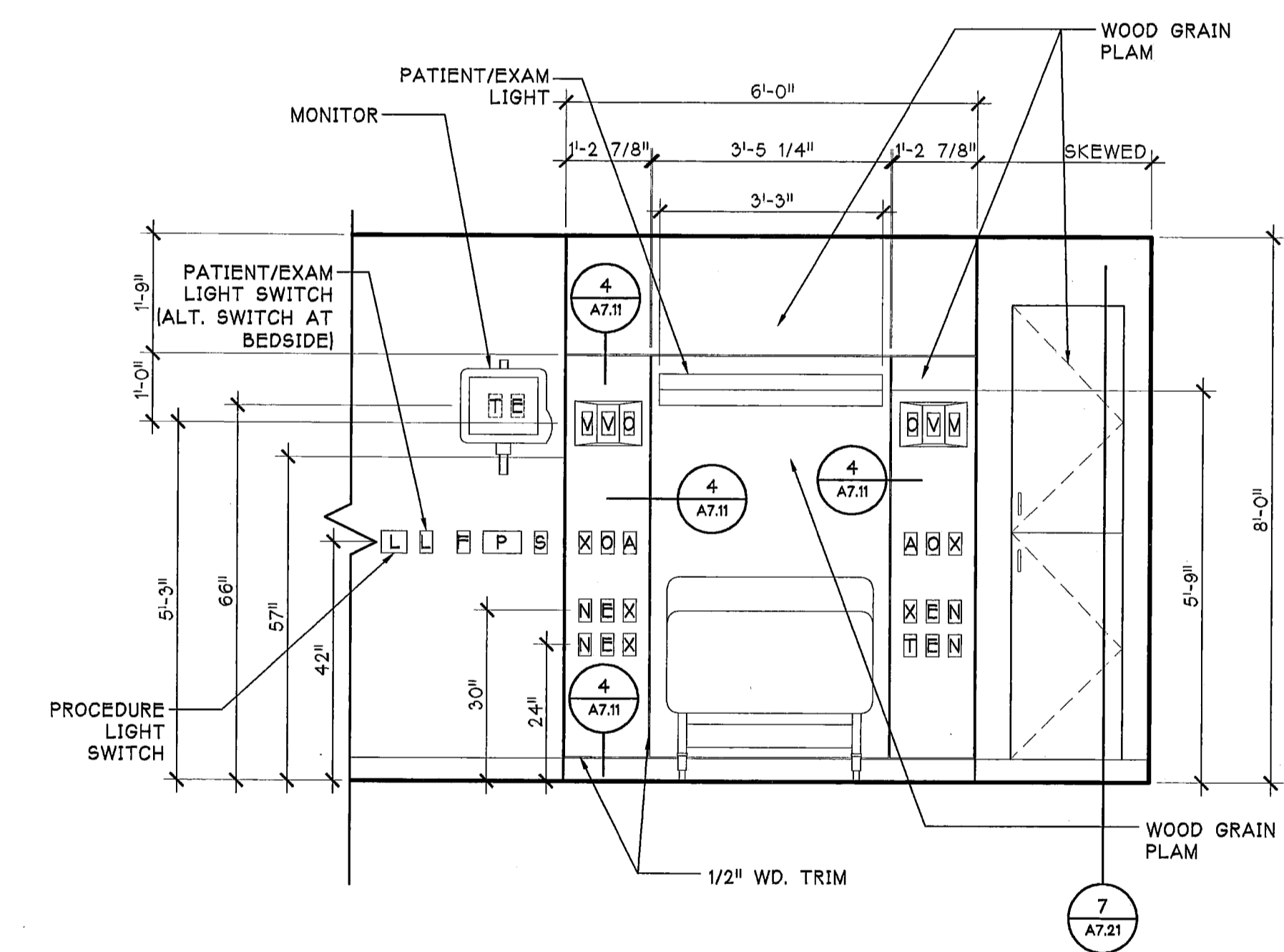


5 MEDS #4152
1/4" = 1'-0"

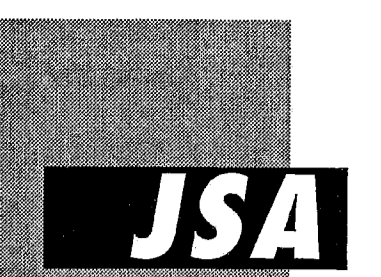


6 PATIENT ROOM 6
1/4" = 1'-0"

- KEY:**
 V VACUUM
 O OXYGEN
 A AIR
 N NORMAL POWER OUTLET
 E EMERG. POWER OUTLET
 X FUTURE POWER OUTLET
 T TEL/DATA OUTLET
 L LIGHT SWITCH
 P PATIENT NURSE CALL
 S STAFF NURSE CALL
 F FAM



7 PATIENT HEADWALL
1/2" = 1'-0"



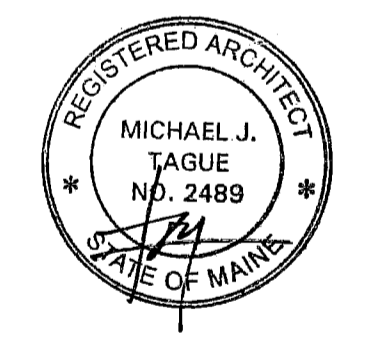
ARCHITECTS
INTERIORS
PLANNERS

55 GREEN STREET
PORTSMOUTH, NH 03801
T 603.436.2551
F 603.436.6973
www.jsainc.com

NEILL & GUNTER, Inc.
Design and Consulting Engineers
Scarborough, Maine

RENOVATIONS TO
RICHARD'S 4th FLOOR
INTERMEDIATE CARE
UNITS

MAINE MEDICAL CENTER
Portland, Maine



Scale: 1/8" = 1'-0"
Project Number: 02-021
Date: May 25, 2004
Revisions:

CONSTRUCTION
DOCUMENTS

A5.01

INTERIOR ELEVATIONS