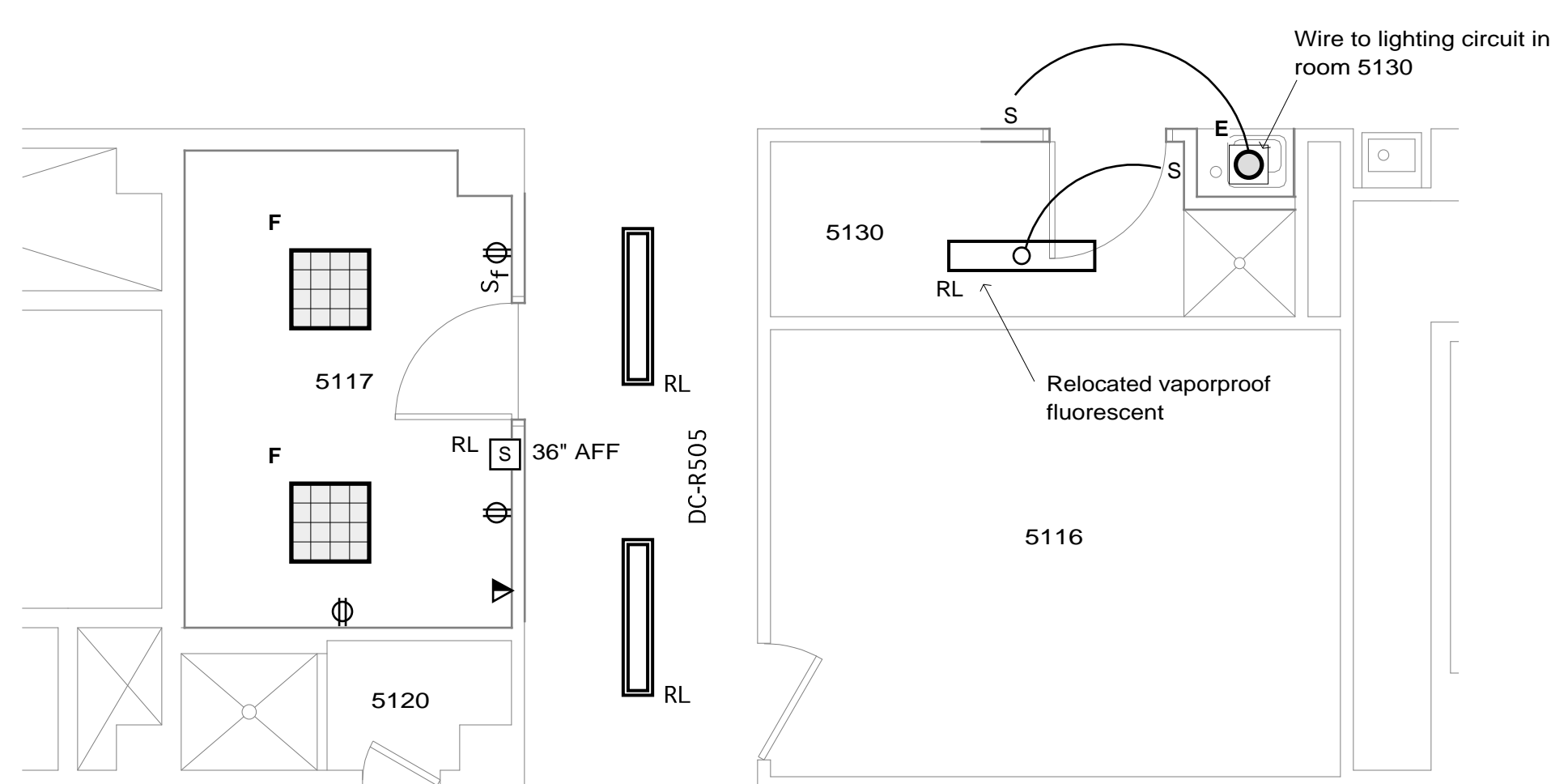


1 Nursing Station Electrical Plan
1/4" = 1' - 0"

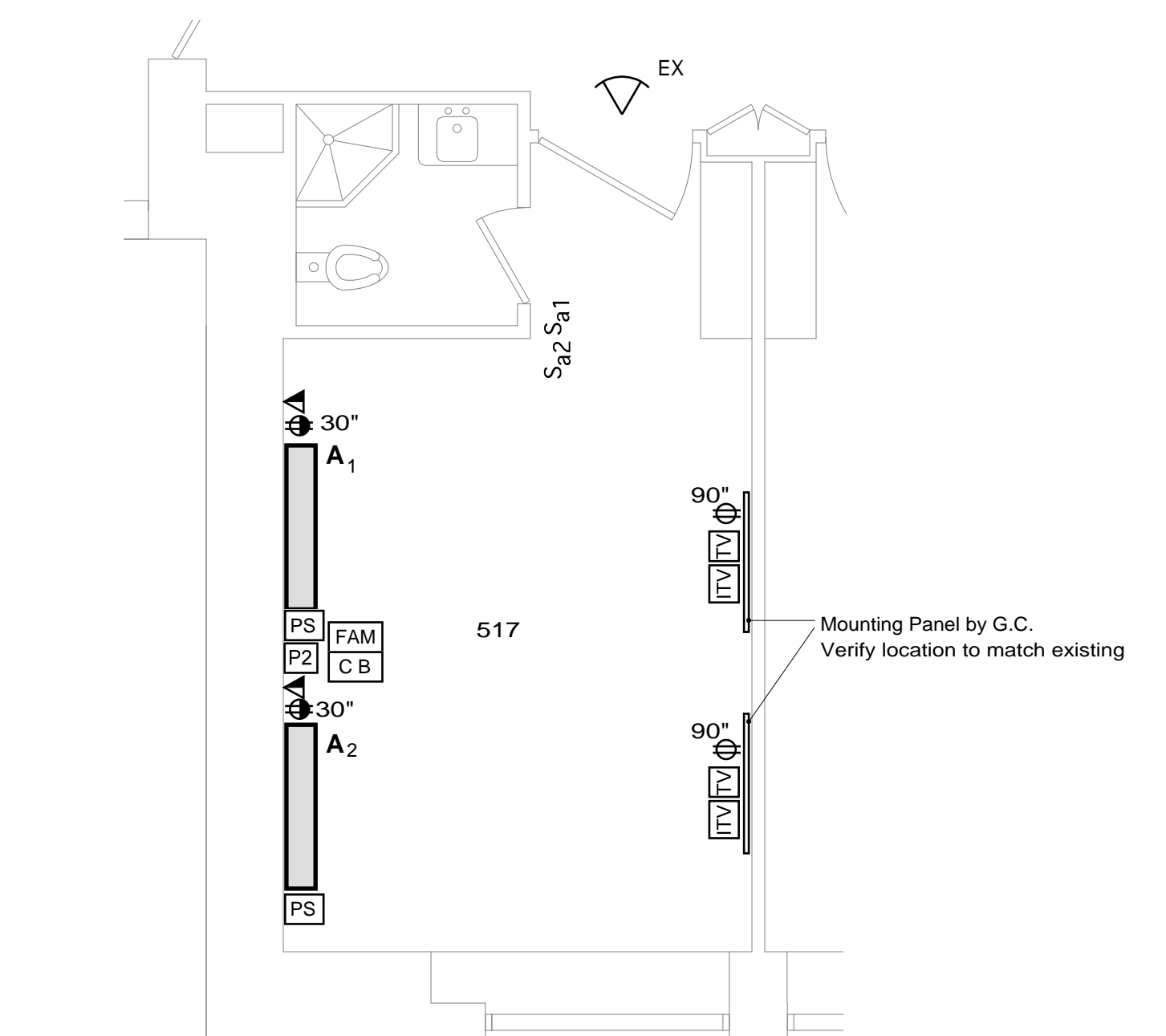


4 West Areas Electrical Plan
1/4" = 1' - 0"

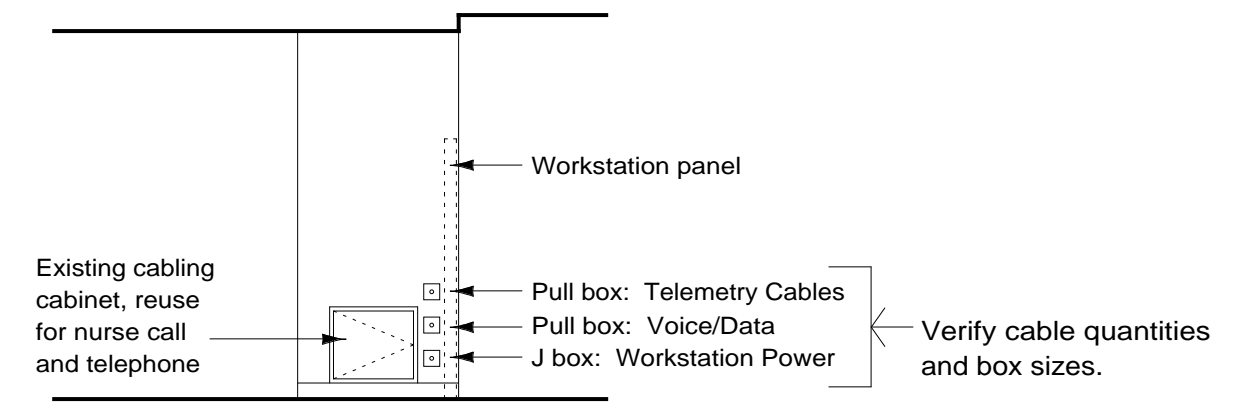
- Legend**
- S Switch @ 48"
 - ⊕ Duplex Outlet
 - ⊕ Emergency Power Duplex Outlet
 - ⊕ Emergency Power Quad Outlet
 - ⊕ Quad Outlet
 - ▽ Voice/Data Outlet
 - ▽ Data Outlets Quantity Indicated
 - W Wall Phone Outlet At Height Shown
 - TV Television Outlet
 - IAC ITV Control Module: Provide coax homerun to video riser
 - PS ITV Pillow Speaker Module: Provide wiring to control module
 - ⊙ Thermostat
 - ⊙ Smoke Detector
 - E Nurse Call Emergency Pull Cord Station
 - S Nurse Call Staff Station
 - P2 Nurse Call Dual Patient Station
 - FAM Nurse Call Fire Auxiliary Module
 - CB Nurse Call Fire Auxiliary Module
 - △ Nurse Call Corridor Lamp
 - RL Install Item Saved For Reuse

1. MMC shall furnish Bix Termination Blocks and Termination Strips for installation by the electrical contractor.
2. Electrical contractor shall provide labels.
3. All new or relocated voice connections shall be installed in MMC provided termination blocks.
4. Electrical contractor shall furnish and install cable path and cable.

2 Nursing Station Lighting Plan
1/4" = 1' - 0" Wire lighting to existing critical care circuit in this area.



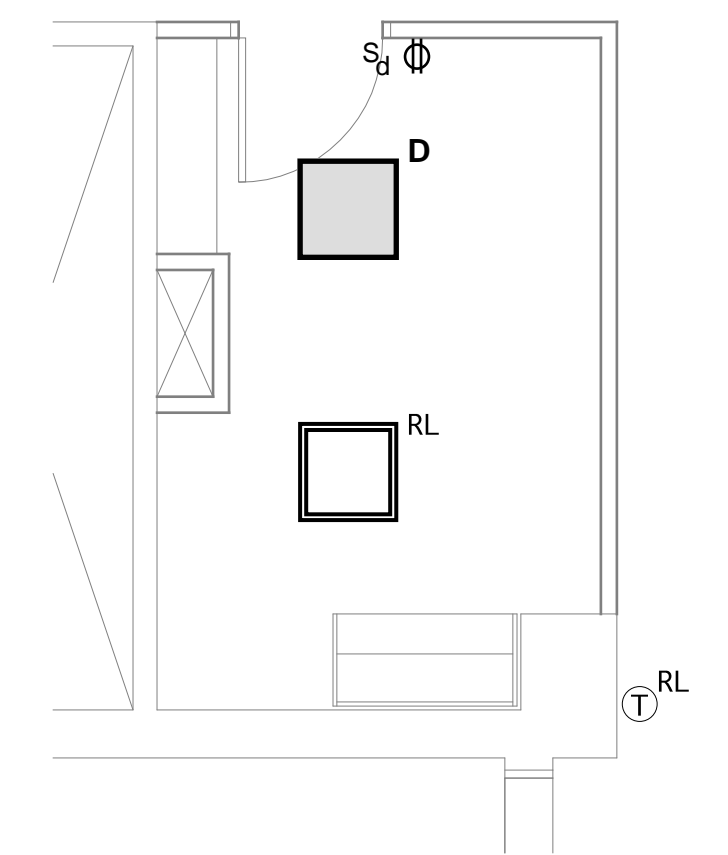
5 Room 517 Electrical Plan
1/4" = 1' - 0"



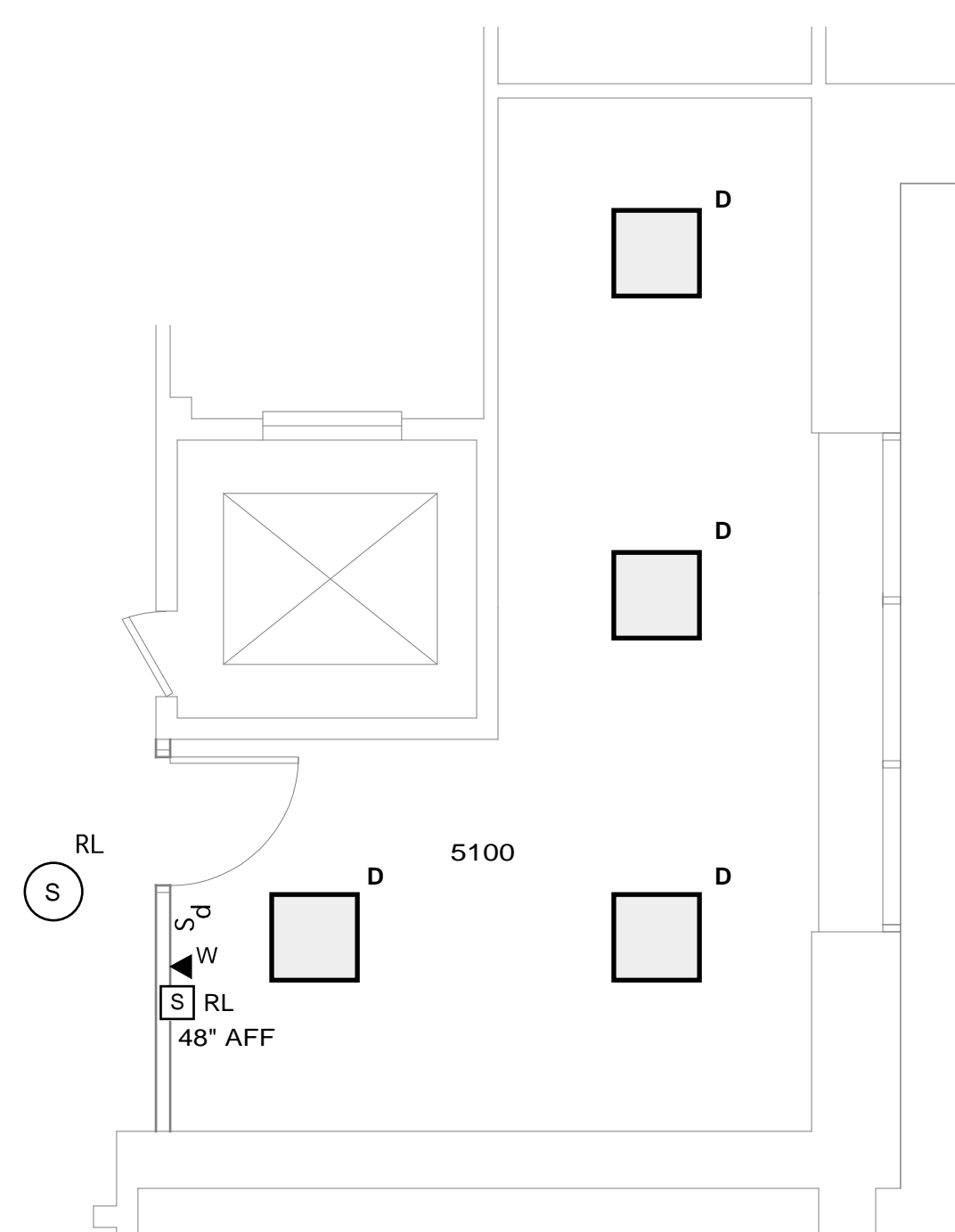
Nursing Station Elevation
1/4" = 1' - 0"
Note: Telemetry pull box by Elec. Run telephone, data, and coax in undercounter raceway furnished by Workstation.

- Notes:**
- 1 Remove existing duplex. Provide hospital grade GFI outlet.
 - 2 Home run to proposed sub-panel at LCR5-2.

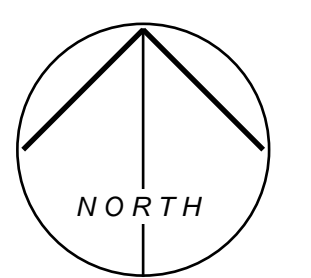
Note:
At proposed emergency power duplexes, provide illuminated hospital grade device with red faceplate with engraved circuit number.



3 Staff Locker Room Electrical Plan
1/4" = 1' - 0"



6 Staff Lounge Electrical Plan
1/4" = 1' - 0"



Richards Wing
Fifth Floor
Renovations

Maine Medical Center
Portland, Maine 04102

Architect
Winton Scott Architects
Portland, Maine

Mechanical Engineering
Mechanical Systems Engineers
Yarmouth, Maine

Electrical Engineering
Bartlett Design
Bath, Maine

Enlarged
Electrical Plans
E 3