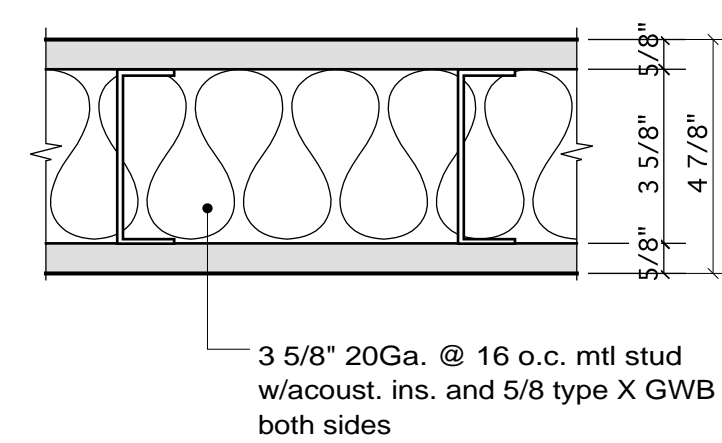


Partition Types

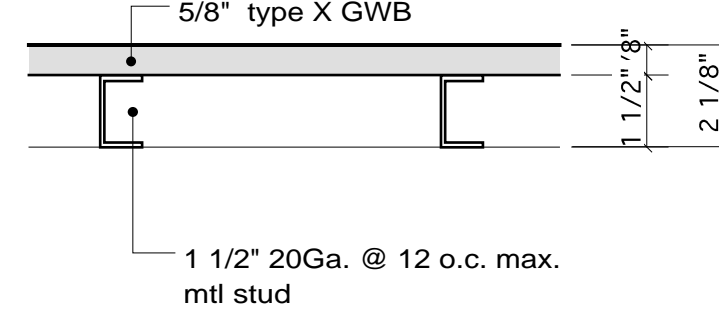
3"=1'-0"

Note:

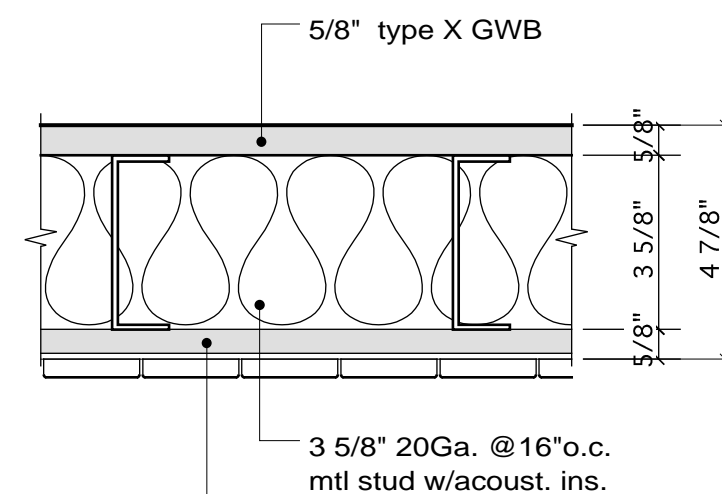
Extend all drywall partitions to underside of existing concrete structure above at 10'-0" AFF, typical



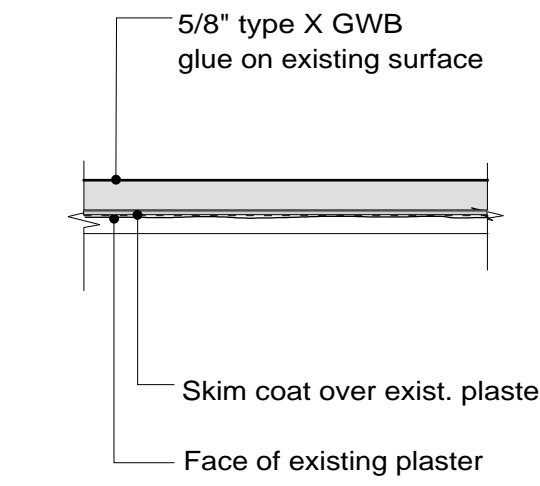
1



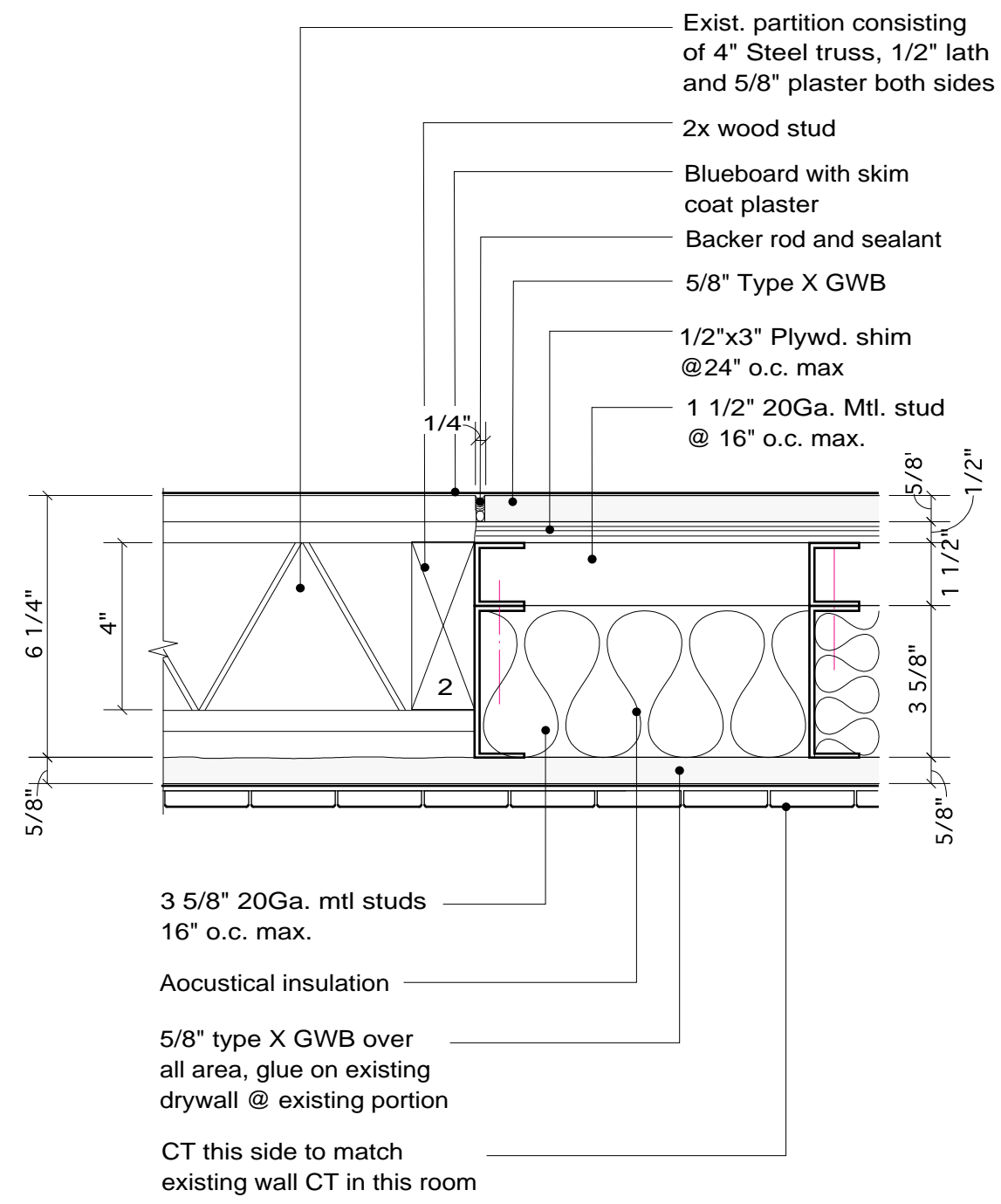
3



2



4



5

Patient Rooms

Room	Room Name	Floor Demo	Floor	Base	Walls	Ceiling	Clg. Ht.	Remarks
501	Patient Room	D2	VCT	Vinyl	Paint Exist Plaster	Exist ACT	8' - 0"	
502	Patient Room	D2	VCT	Vinyl	Paint Exist Plaster	Exist ACT	8' - 0"	
503	Patient Room	D2	VCT	Vinyl	Paint Exist Plaster	Exist ACT	8' - 0"	
504	Patient Room	D2	VCT	Vinyl	Paint Exist Plaster	Exist ACT	8' - 0"	
505	Patient Room	D2	VCT	Vinyl	Paint Exist Plaster	Exist ACT	8' - 0"	
506	Patient Room	D2	VCT	Vinyl	Paint Exist Plaster	Exist ACT	8' - 0"	
506B	Patient Room	D2	VCT	Vinyl	Paint Exist Plaster	Paint Exist Plaster	8' - 0"	
507	Procedures & Evaluations	D2	VCT	Vinyl	Exist Plaster/GWB	ACT	8' - 0"	
508	Intermediate Care Room	D2	VCT	Vinyl	Exist Plaster/GWB	ACT	8' - 0"	
509	Patient Room	D2	VCT	Vinyl	Paint Exist Plaster	Exist ACT	8' - 0"	
510	Patient Room	D2	VCT	Vinyl	Paint Exist Plaster	Exist ACT	8' - 0"	
511	Patient Room	D2	VCT	Vinyl	Paint Exist Plaster	Exist ACT	8' - 0"	
512	Patient Room	D2	VCT	Vinyl	Paint Exist Plaster	Exist ACT	8' - 0"	
514	Patient Room	D2	VCT	Vinyl	Paint Exist Plaster	Exist ACT	8' - 0"	
515	Patient Room	D2	VCT	Vinyl	Paint Exist Plaster	Exist ACT	8' - 0"	
516	Patient Room	D2	VCT	Vinyl	Paint Exist Plaster	Exist ACT	8' - 0"	
517	Patient Room	D2	VCT	Vinyl	Paint Exist Plaster	Exist ACT	8' - 0"	
518	Patient Room	D2	VCT	Vinyl	Paint Exist Plaster	Exist ACT	8' - 0"	
519	Patient Room	D2	VCT	Vinyl	Paint Exist Plaster	Exist ACT	8' - 0"	
520	Patient Room	D2	VCT	Vinyl	Paint Exist Plaster	Exist ACT	8' - 0"	
521	Patient Room	D2	VCT	Vinyl	Paint Exist Plaster	Exist ACT	8' - 0"	
522	Patient Room	D2	VCT	Vinyl	Paint Exist Plaster	Exist ACT	8' - 0"	
523	Patient Room	D2	VCT	Vinyl	Paint Exist Plaster	Exist ACT	8' - 0"	
524	Patient Room	D2	VCT	Vinyl	Paint Exist Plaster	Exist ACT	8' - 0"	
525	Patient Room	D2	VCT	Vinyl	Paint Exist Plaster	Exist ACT	8' - 0"	
526	Patient Room	D2	VCT	Vinyl	Paint Exist Plaster	Exist ACT	8' - 0"	
527	Patient Room	D2	VCT	Vinyl	Paint Exist Plaster	Exist ACT	8' - 0"	

Finish Schedule

Room	Room Name	Floor Demo	Floor	Base	Walls	Ceiling	Clg. Ht.	Remarks
5099	Lockers	--	Exist VCT	Vinyl	Ptd. Ex Plast. / Ptd. GWB	ACT	8' - 0"	
5100	Staff Lounge	D1	CPT	Vinyl	Ptd. Ex Plast. / Ptd. GWB	ACT	8' - 0"	
5102	Dumbwaiter							No Work
5104	Linen	--	Exist VAT	Exist Vinyl	Paint Exist Plaster	Exist ACT	8' - 0"	
5106	Clean Supply	--	Exist VCT	Exist Vinyl	Paint Exist Plaster	Exist ACT	8' - 0"	
5108	Med Room	D1	VCT	Vinyl	Paint Exist Plaster	ACT	8' - 0"	
5110	Soiled Utility	--	Exist CT	Exist CT	Exist CT	Exist ACT	8' - 0"	
5112	Consult	D1	VCT	Vinyl	Paint Exist Plaster	Exist ACT	8' - 0"	
5114	Kitchen	D1	VCT	Vinyl	Paint Exist Plaster	Exist ACT	8' - 0"	
5116	Head Nurse	--	Exist CPT	Exist Vinyl	Paint Exist Plaster	Exist ACT	8' - 0"	
5117	Office	See Note #2	CPT	Vinyl	Ptd. GWB	ACT	8' - 0"	
5120	Shower	--	Exist CT	Exist CT	Exist CT	Exist ACT	8' - 0"	
5122	Electrical							No Work
5124	Electrical							No Work
5130	Environmental Service	--	Exist CT	Exist CT	See Note #1/ GWB	GWB overlay	Exist.	
5136	Nursing Station	D1	CPT	Vinyl	Paint Exist Plaster	ACT/GWB	8' - 0"	
5137	Charting	D1	CPT	Vinyl	Paint Exist Plaster	ACT	8' - 0"	
5142	Conference	D1	VCT	Vinyl	Paint Exist Plaster	Exist ACT	8' - 0"	
5144	Education	D1	CPT	Vinyl	Paint Exist Plaster	Exist ACT	8' - 0"	
5148	Electrical							No Work
5150	" "							No Work
5151	Shower	--	Exist CT	Exist CT	Exist CT	Paint Exist Plaster	8' - 0"	
5152	Shower	--	Exist CT	Exist CT	Exist CT	Paint Exist Plaster	8' - 0"	
5156	Environmental Service	--	Exist CT	Exist CT	See Note #1	Exist ACT	8' - 0"	
5158	Office	--	Exist CPT	Exist Vinyl	Paint Exist Plaster	Exist ACT	8' - 0"	
5160	Toilet Room	--	Exist CT	Exist CT	See Note #1	Exist ACT	8' - 0"	
5167	Dictation	D3	VCT	Vinyl	Paint Exist Plaster	ACT	8' - 0"	
5169	Soiled Linen	--	Exist VAT	Exist Vinyl	Paint Exist Plaster	Exist ACT	8' - 0"	
GC-501	Corridor	D1	VCT *	Vinyl	Paint Exist Plaster	[ACT]	8' - 0"	* Sheet Rubber By Alternate #1
DC-R503	"	D1	VCT *	Vinyl	Paint Exist Plaster	[ACT]	8' - 0"	* Sheet Rubber By Alternate #1
DC-R504	"	D1	VCT *	Vinyl	Paint Exist Plaster	[ACT]	8' - 0"	* Sheet Rubber By Alternate #1
DC-R505	"	D1	VCT *	Vinyl	Paint Exist Plaster	[ACT]	8' - 0"	* Sheet Rubber By Alternate #1
DC-R506	"	D1	VCT *	Vinyl	Paint Exist Plaster	[ACT]	8' - 0"	* Sheet Rubber By Alternate #1
DC-R507	"	D1	VCT *	Vinyl	Paint Exist Plaster	[ACT]	8' - 0"	* Sheet Rubber By Alternate #1
DC-R508	"	D1	VCT *	Vinyl	Paint Exist Plaster	[ACT]	8' - 0"	* Sheet Rubber By Alternate #1
DC-R509	"	D1	VCT *	Vinyl	Paint Exist Plaster	[ACT]	8' - 0"	* Sheet Rubber By Alternate #1
ST-525	Stairway							No Work
ST-527	Stairway							No Work
507	Procedures and Evaluations	D1	CPT	Vinyl	Ptd. Ex Plast. / Ptd. GWB	ACT	8' - 0"	
508	Intermediate Care	D1	CPT	Vinyl	Ptd. Ex Plast. / Ptd. GWB	ACT	8' - 0"	

Legend

[ACT] Acoustic Tile and Grid by Alternate # 3, 4 & 5. See DWG. A11

ACT Acoustic Tile and Grid by Base Bid

D1 Existing VAT removed by ACM Contractor by separate contract / Remove vinyl base and patch wall smooth by base bid.

D2 Remove existing VCT / Remove vinyl base and patch wall smooth.

D3 Remove existing carpet / Remove vinyl base and patch wall smooth.

Notes

1. Paint exist plaster from top of CT @ 4' - 0" AFF to ceiling.

2. Existing CT to remain. Patch wall, tub and shower removals flush with existing tile. Skim coat over to prepare for the new glue down carpet.

Patient Bathrooms

Room	Room Name	Floor Demo	Floor	Base	Walls	Ceiling	Clg. Ht.	Remarks
501A	Patient Bathroom	--	Exist CT	Exist CT	See Note #1	Paint Exist Plaster	8' - 0"	
502A	Patient Bathroom	--	Exist CT	Exist CT	See Note #1	Exist ACT	8' - 0"	
503A	Patient Bathroom	--	Exist CT	Exist CT	See Note #1	Exist ACT	8' - 0"	
504A	Patient Bathroom	--	Exist CT	Exist CT	See Note #1	Exist ACT	8' - 0"	
505A	Patient Bathroom	--	Exist CT	Exist CT	See Note #1	Exist ACT	8' - 0"	
506A	Patient Bathroom	--	Exist CT	Exist CT	See Note #1	Paint Exist Plaster	8' - 0"	
507A	Patient Bathroom	--	Exist CT	Exist CT	See Note #1	Exist ACT	8' - 0"	
508A	Patient Bathroom	--	Exist CT	Exist CT	See Note #1	Exist ACT	8' - 0"	
509A	Patient Bathroom	--	Exist CT	Exist CT	See Note #1	Exist ACT	8' - 0"	
510A	Patient Bathroom	--	Exist CT	Exist CT	See Note #1	Exist ACT	8' - 0"	
511A	Patient Bathroom	--	Exist CT	Exist CT	See Note #1	Exist ACT	8' - 0"	
512A	Patient Bathroom	--	Exist CT	Exist CT	See Note #1	Exist ACT	8' - 0"	
514A	Patient Bathroom	--	Exist CT	Exist CT	See Note #1	Exist ACT	8' - 0"	
515A	Patient Bathroom	--	Exist CT	Exist CT	See Note #1	Exist ACT	8' - 0"	
516A	Patient Bathroom	--	Exist CT	Exist CT	See Note #1	Paint Exist Plaster	8' - 0"	
519A	Patient Bathroom	--	Exist CT	Exist CT	See Note #1	Exist ACT	8' - 0"	
520A	Patient Bathroom	--	Exist CT	Exist CT	See Note #1	Exist ACT	8' - 0"	
521A	Patient Bathroom	--	Exist CT	Exist CT	See Note #1	Exist ACT	8' - 0"	
522A	Patient Bathroom	--	Exist CT	Exist CT	See Note #1	Exist ACT	8' - 0"	
523A	Patient Bathroom	--	Exist CT	Exist CT	See Note #1	Exist ACT	8' - 0"	
524A	Patient Bathroom	--	Exist CT	Exist CT	See Note #1	Exist ACT	8' - 0"	
525A	Patient Bathroom	--	Exist CT	Exist CT	See Note #1	Exist ACT	8' - 0"	
526A	Patient Bathroom	--	Exist CT	Exist CT	See Note #1	Exist ACT	8' - 0"	
527A	Patient Bathroom	--	Exist CT	Exist CT	See Note #1	Paint Exist Plaster	8' - 0"	

Richards Wing

Fifth Floor

Renovations

Maine Medical Center

Portland, Maine 04102

Architect

Winton Scott Architects, PA

Portland, Maine

Mechanical Engineering

Mechanical Systems Engineers

Yarmouth, Maine

Electrical Engineering

Bartlett Design

Bath, Maine

Finish Schedules & Partition Types

A 8

Scale: AS NOTED

April 10, 2002