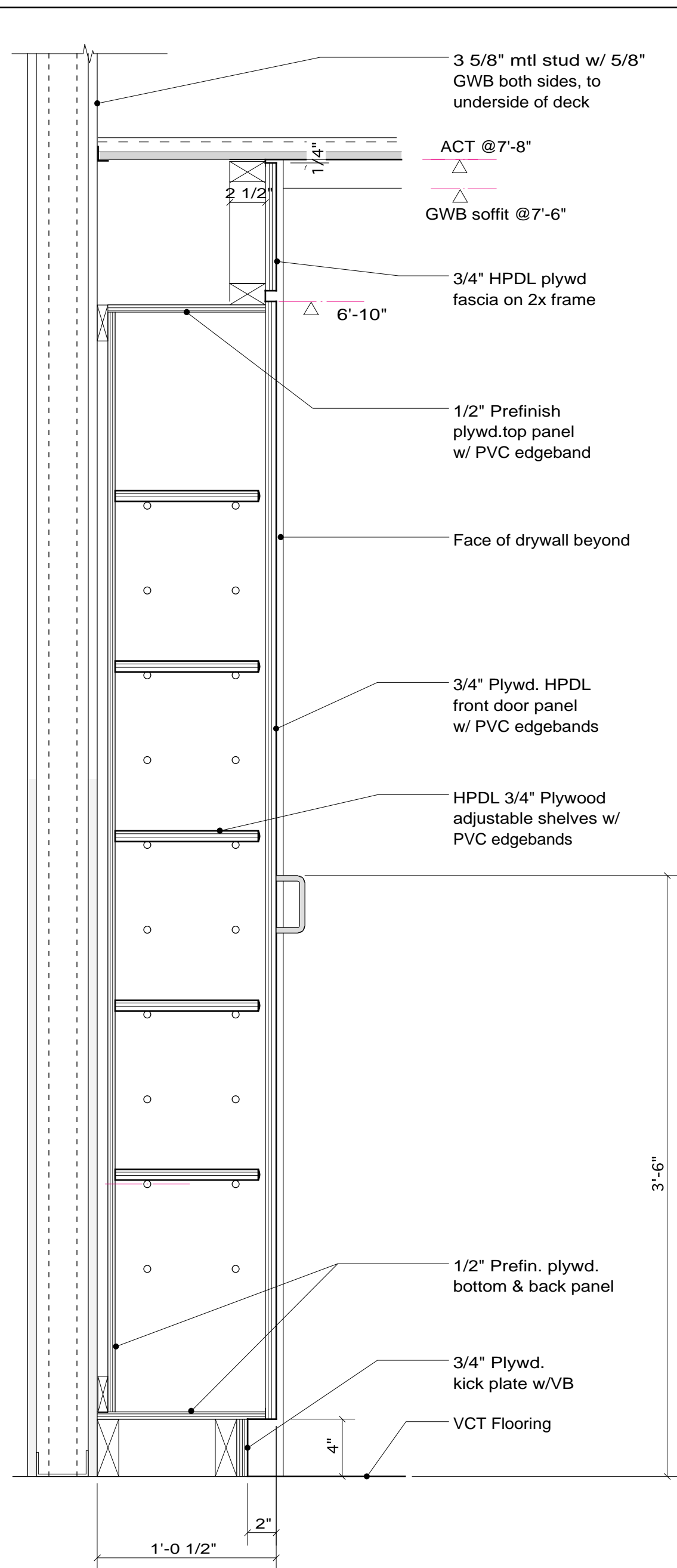
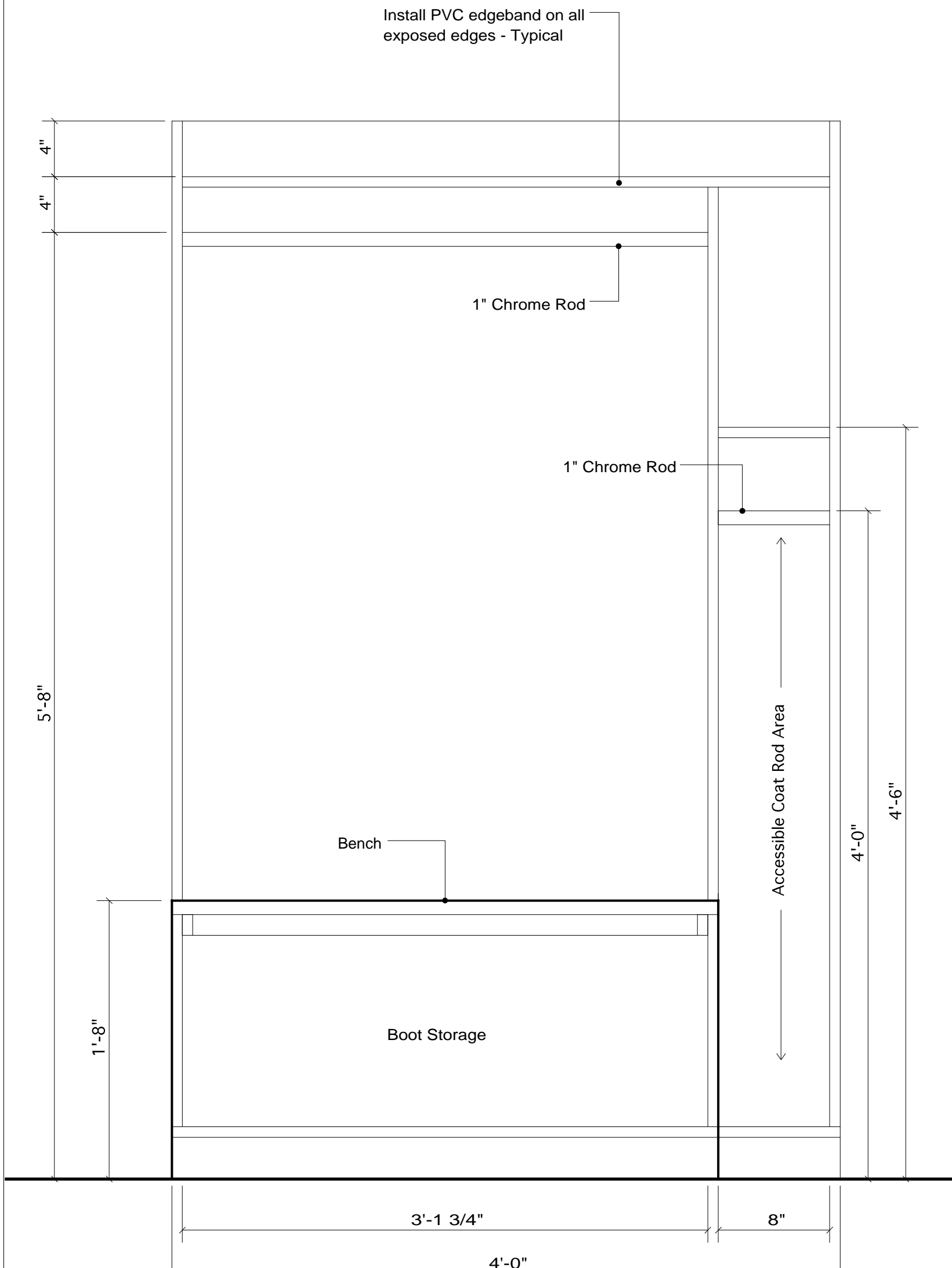


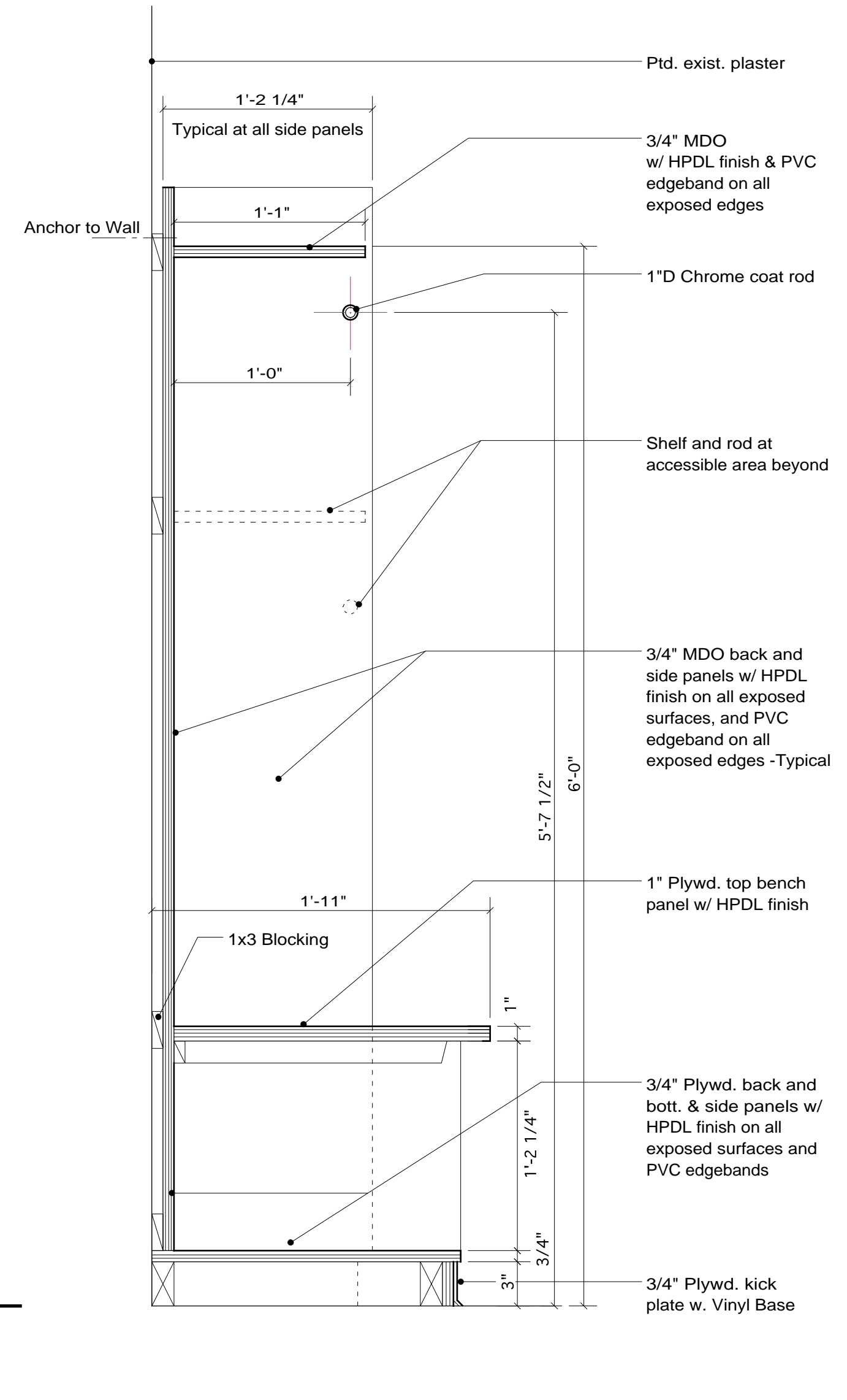
1 Wardrobe Unit Section
1 1/2" = 1'-0"



1A Section at Linen Closet
1 1/2" = 1'-0"



2 Coat Rack in Lockers Room Elevation & Section
1 1/2" = 1'-0"



Note:
PVC edgebands shall be 3 mm. thermoplastic as manufactured by Canplast. Color from standard range to be selected by Architect.

Richards Wing
Fifth Floor
Renovations

Maine Medical Center
Portland, Maine 04102

Architect
Winton Scott Architects, PA
Portland, Maine

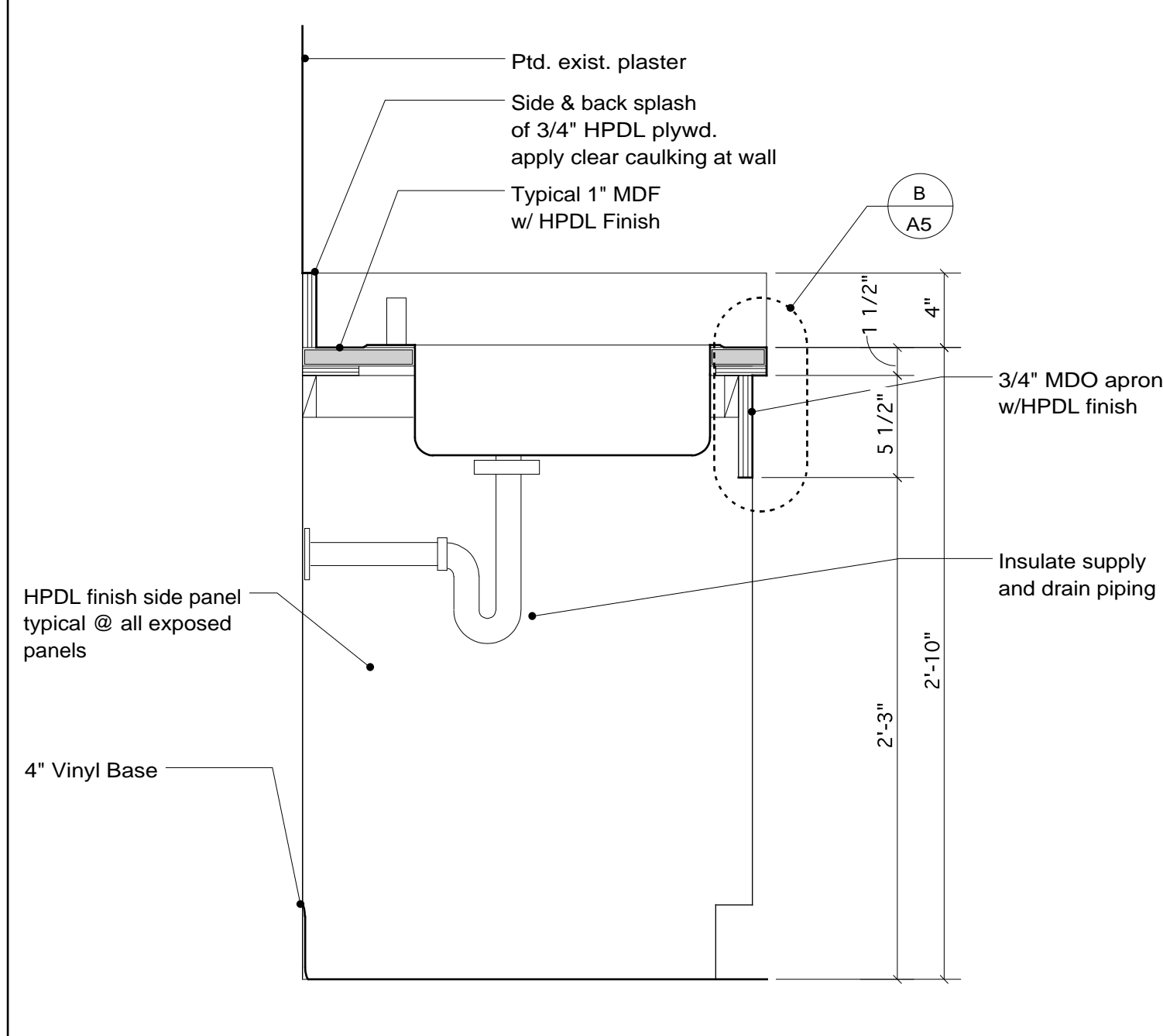
Mechanical Engineering
Mechanical Systems Engineers
Yarmouth, Maine

Electrical Engineering
Bartlett Design
Bath, Maine

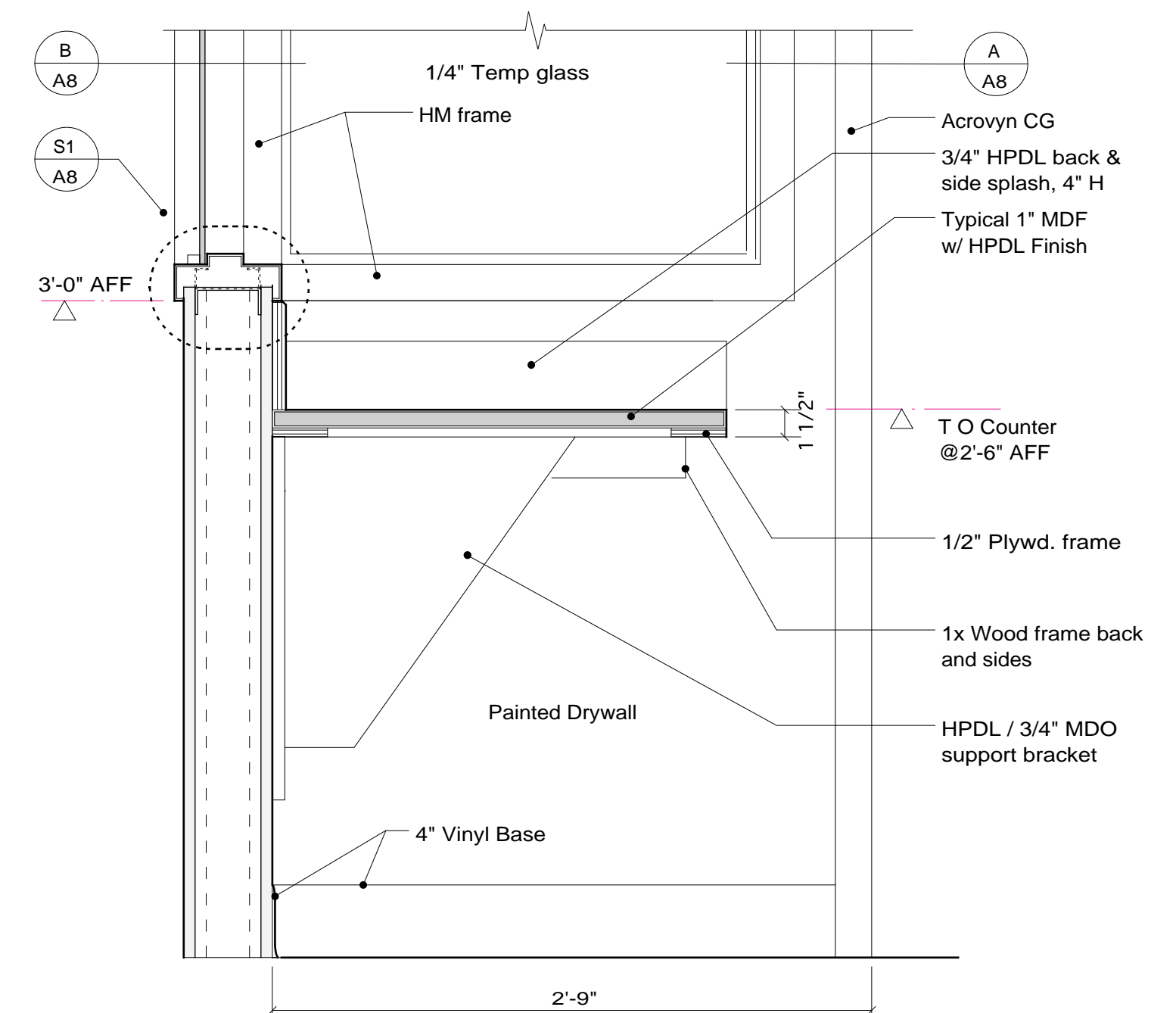
Architectural Woodwork

A 4

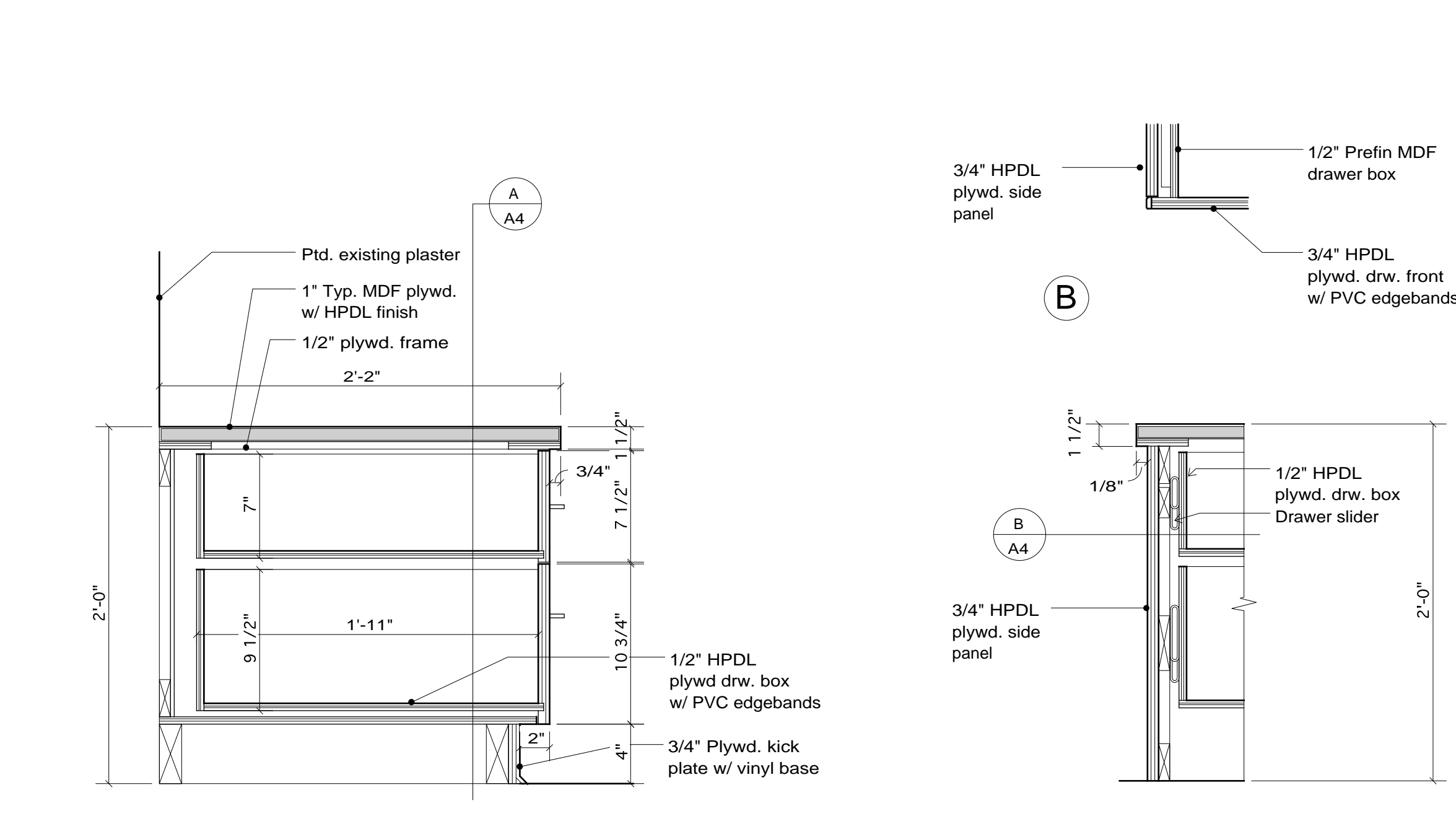
Scale: AS NOTED
April 10, 2002



3 Section at Sink
1 1/2" = 1'-0"



4 Section at Supervision Counter
1 1/2" = 1'-0"



5 Section at Drawer Base
1 1/2" = 1'-0"