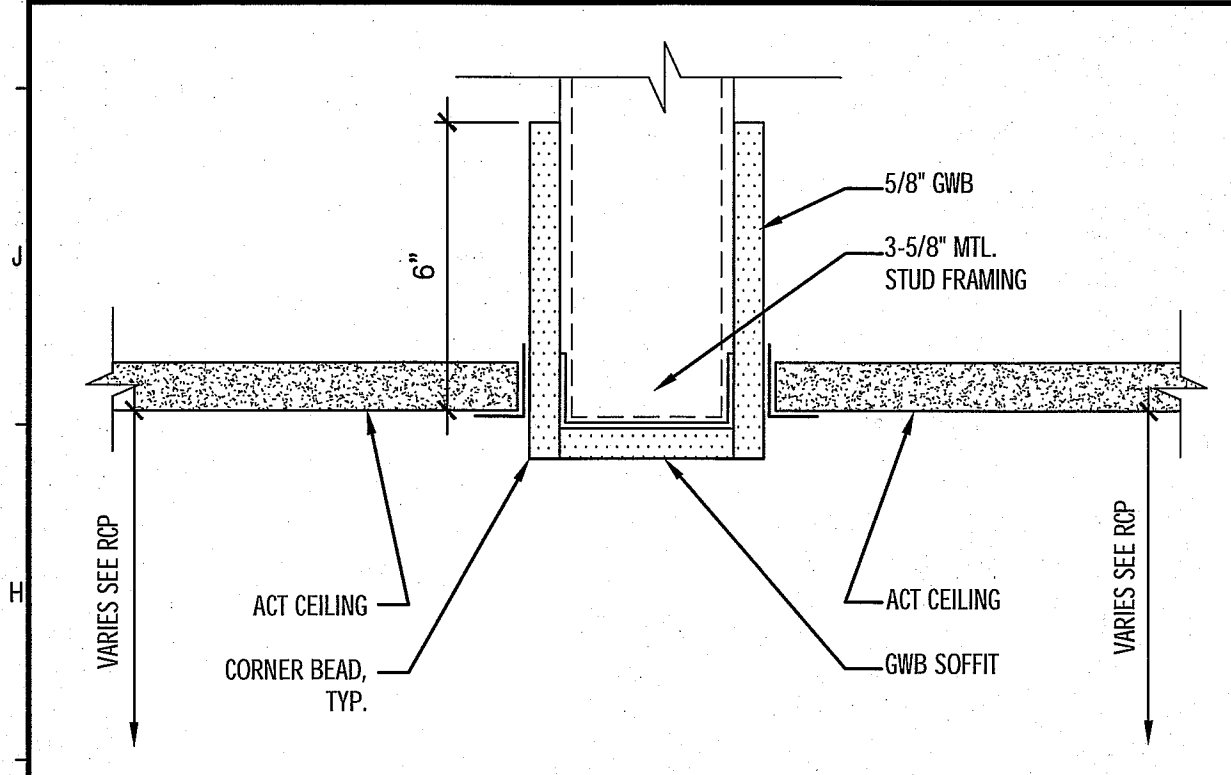
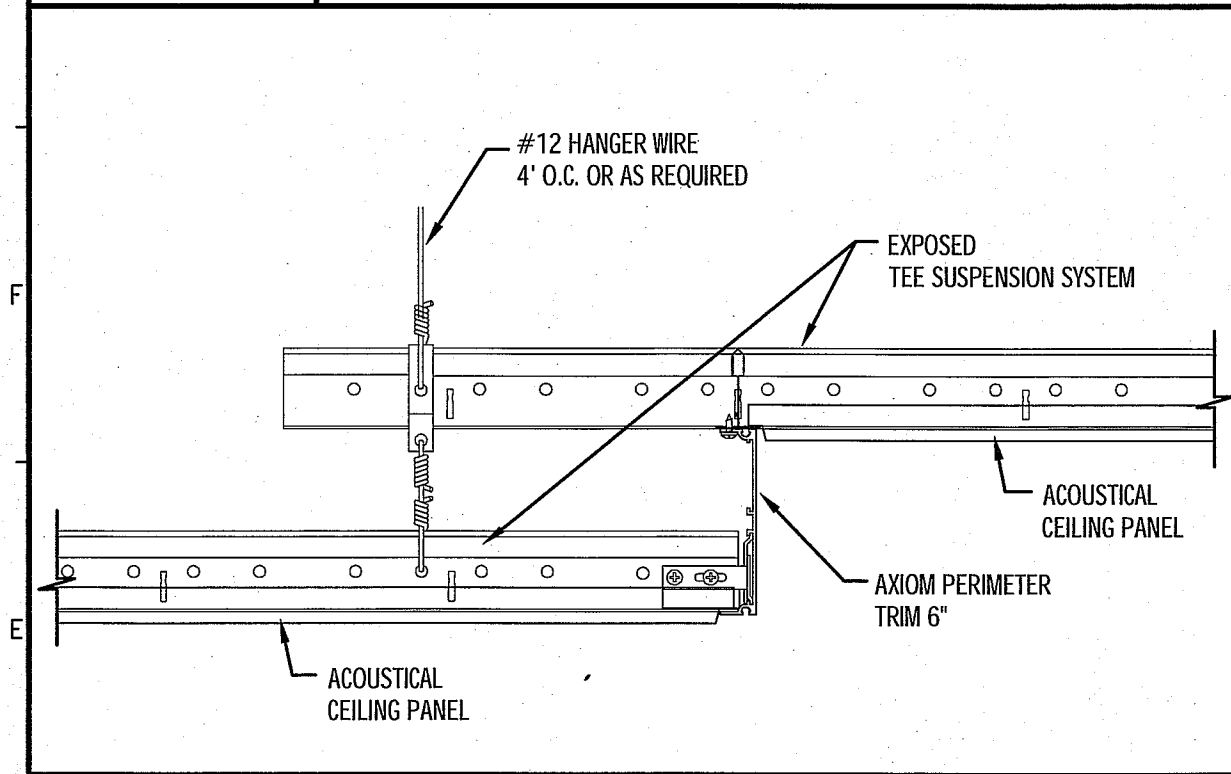


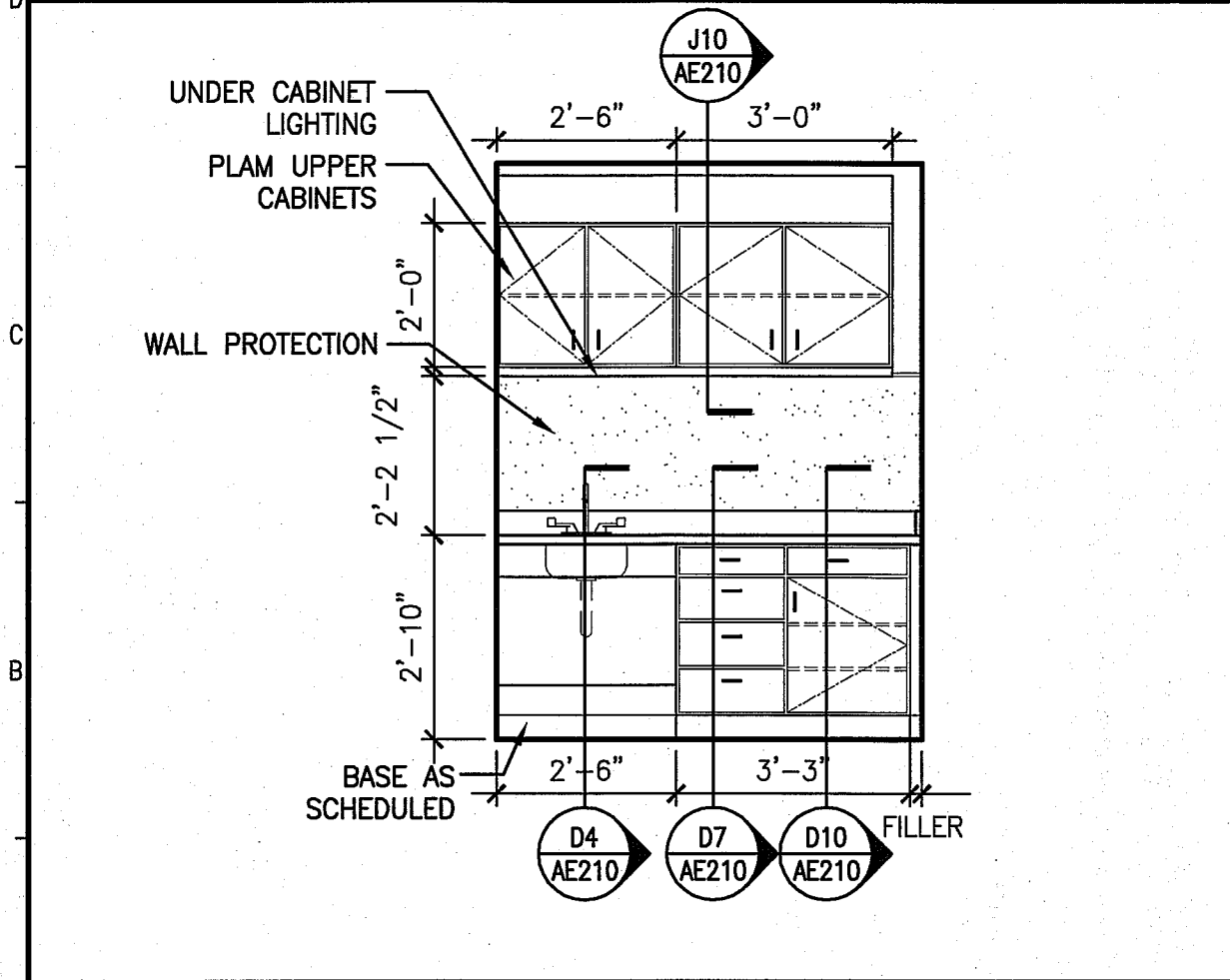
K1 COUNTER EDGE DETAIL
3'-1'-0" *



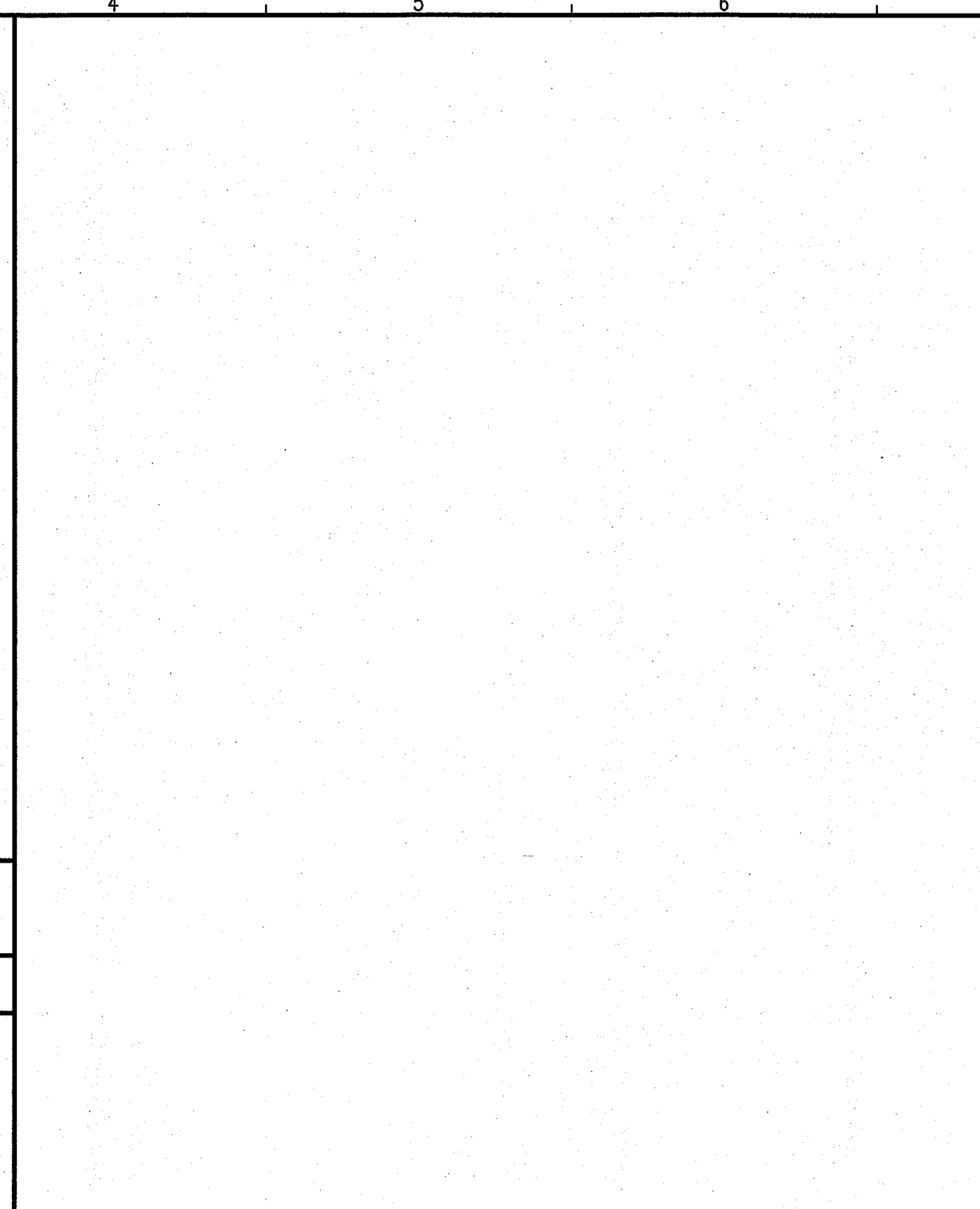
G1 SOFFIT DETAIL
3'-1'-0" *



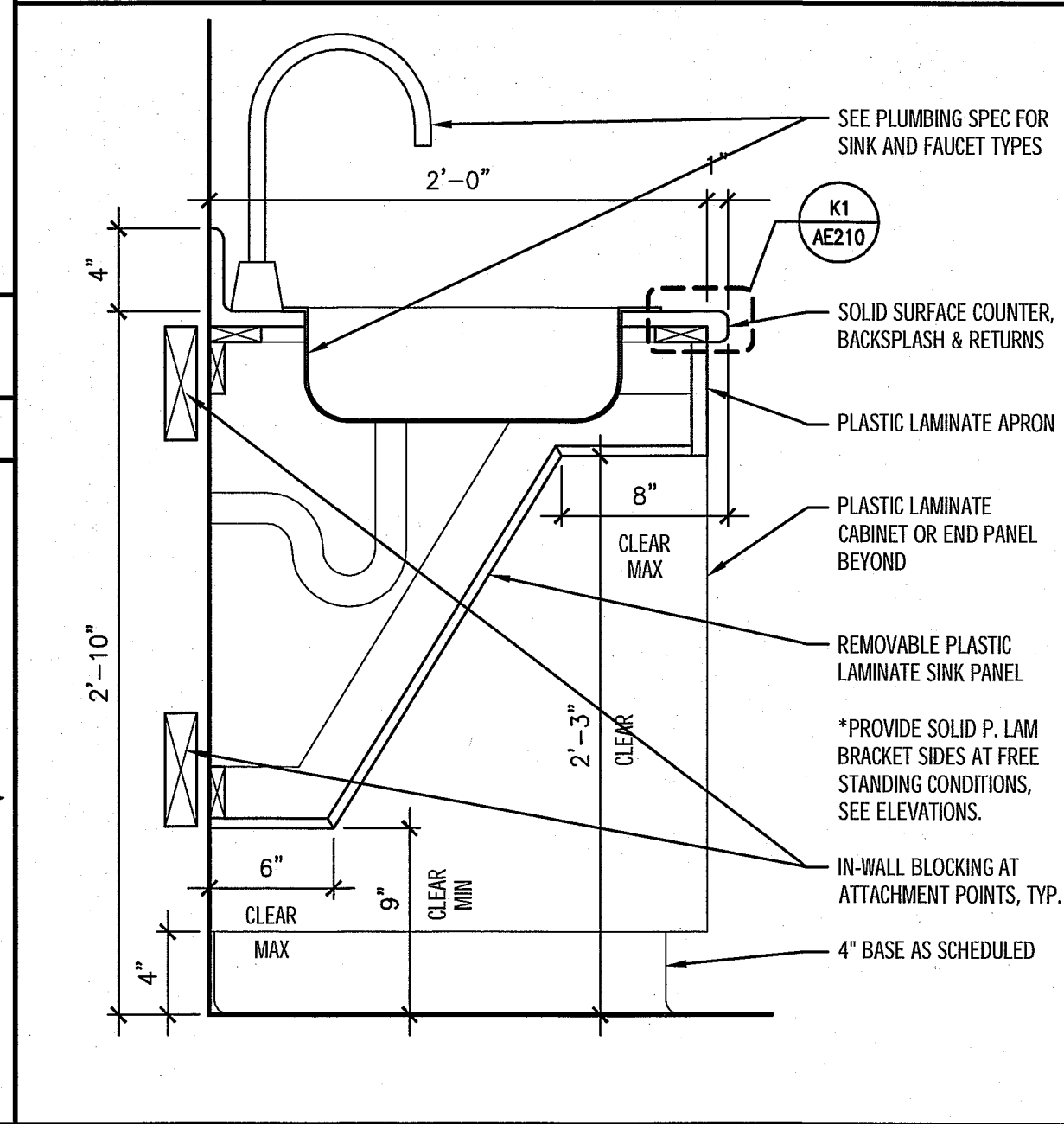
D1 CEILING TRANSITION DETAIL
3'-1'-0" *



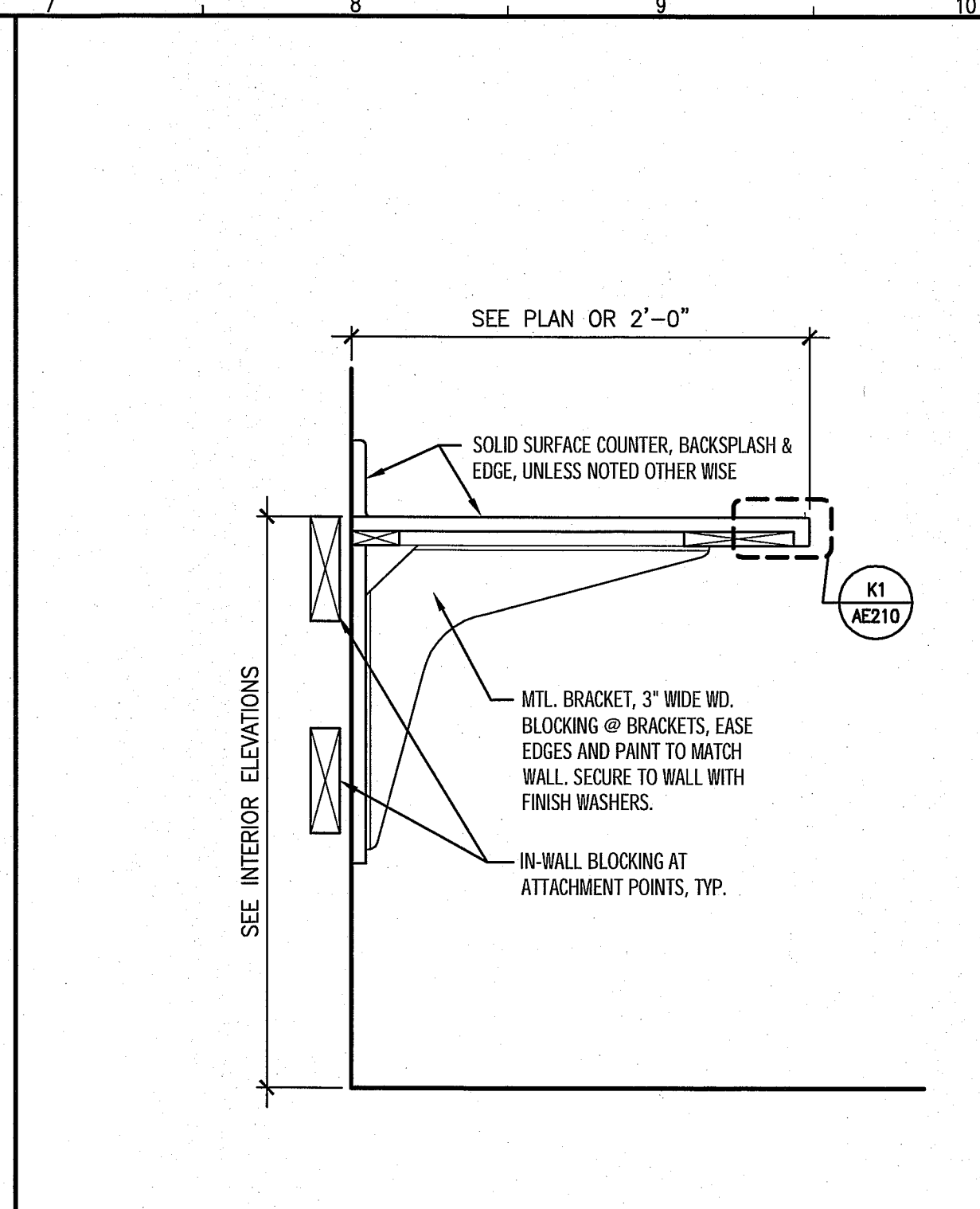
A1 STRETCHER HOLDING #B329A
3/8"=1'-0" *



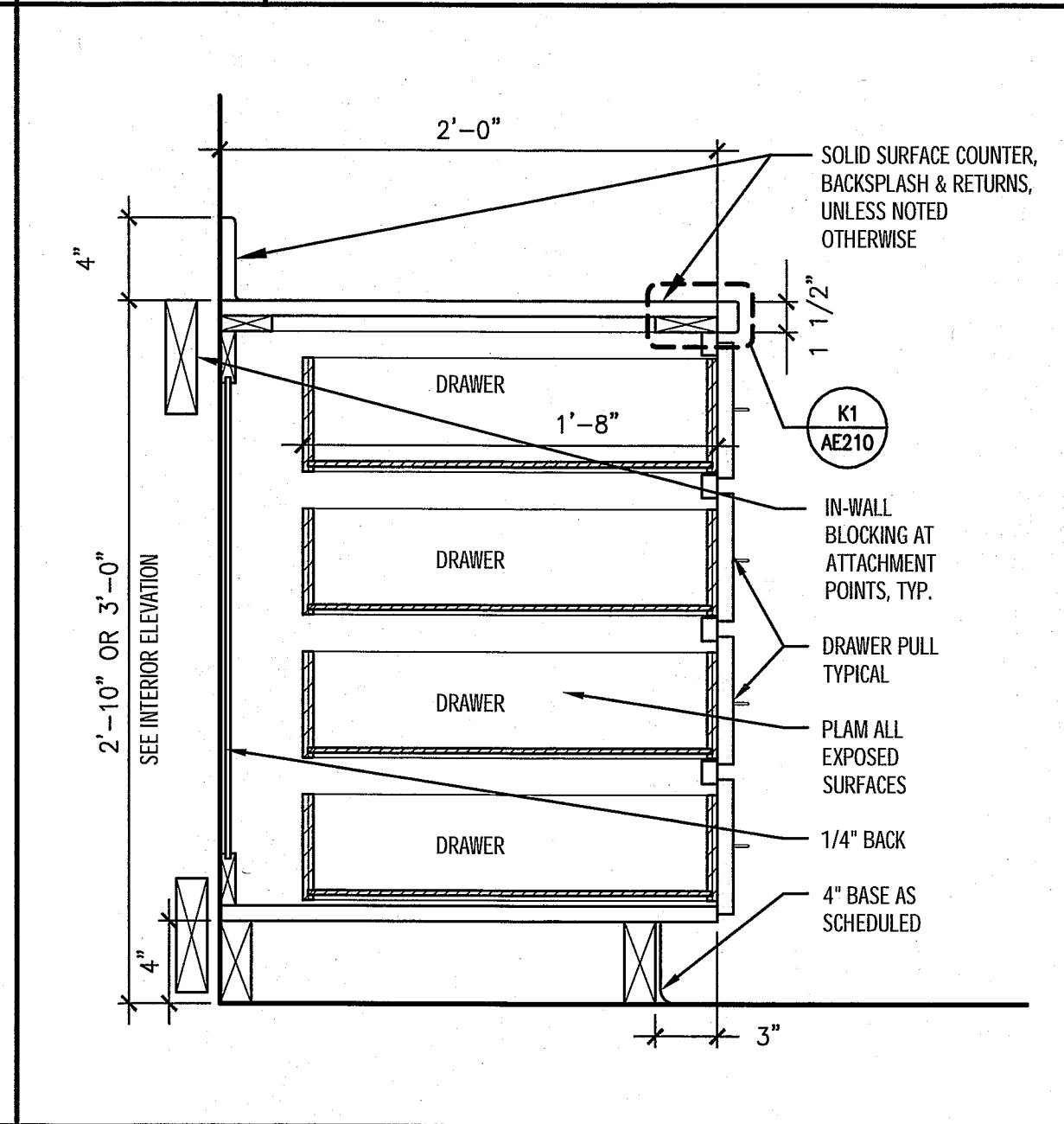
J4 CASEWORK DETAIL
1-1/2=1'-0" *



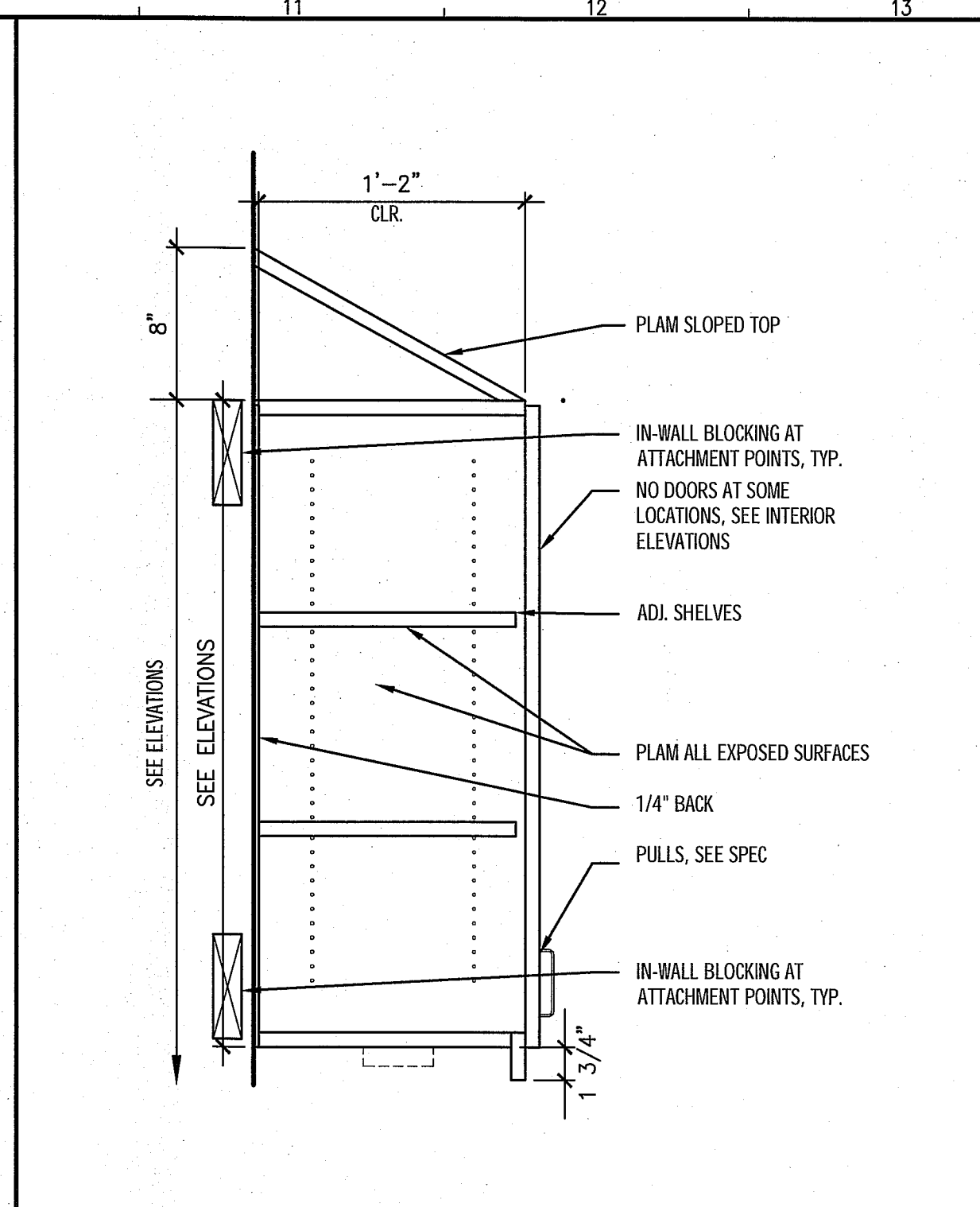
D4 CASEWORK DETAIL
1-1/2=1'-0" *



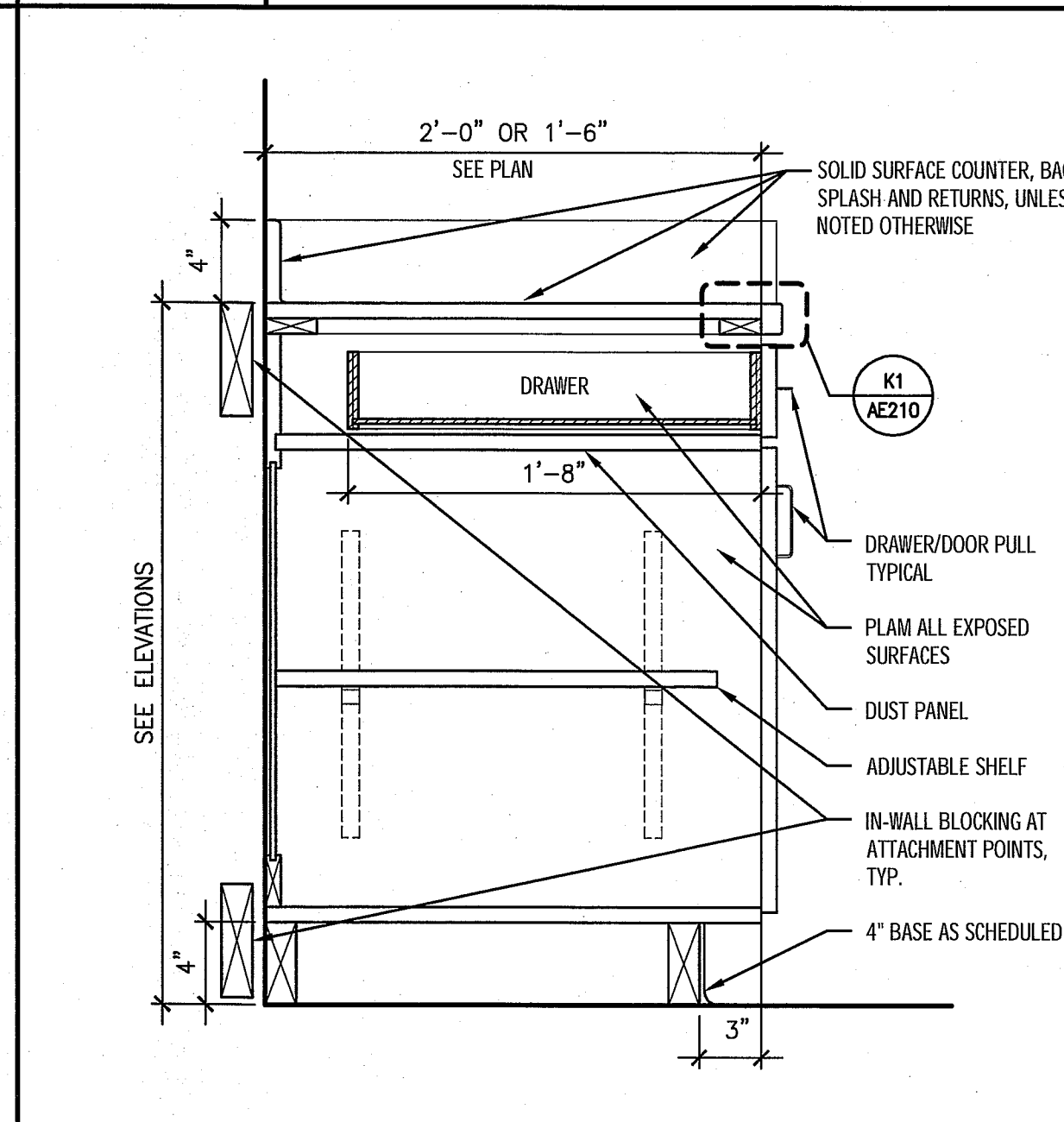
J7 CASEWORK DETAIL
1-1/2=1'-0" *



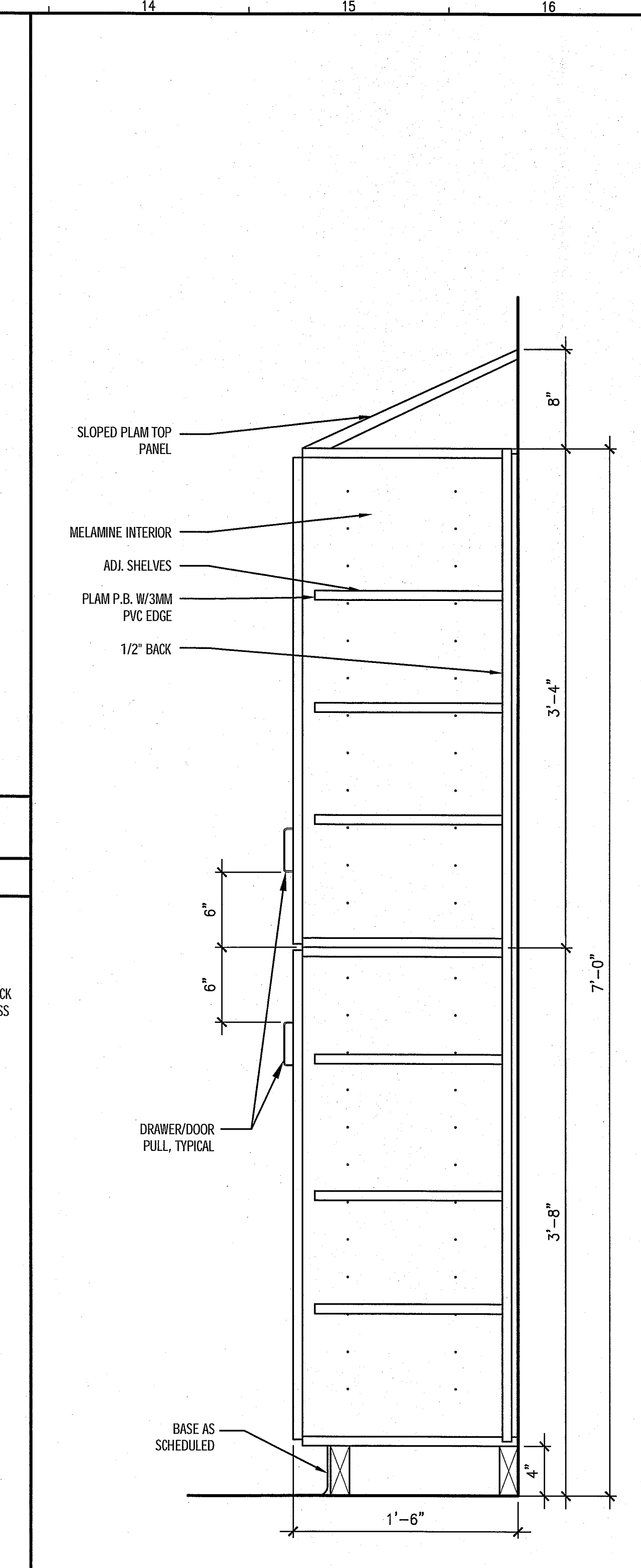
D7 CASEWORK DETAIL
1-1/2=1'-0" *



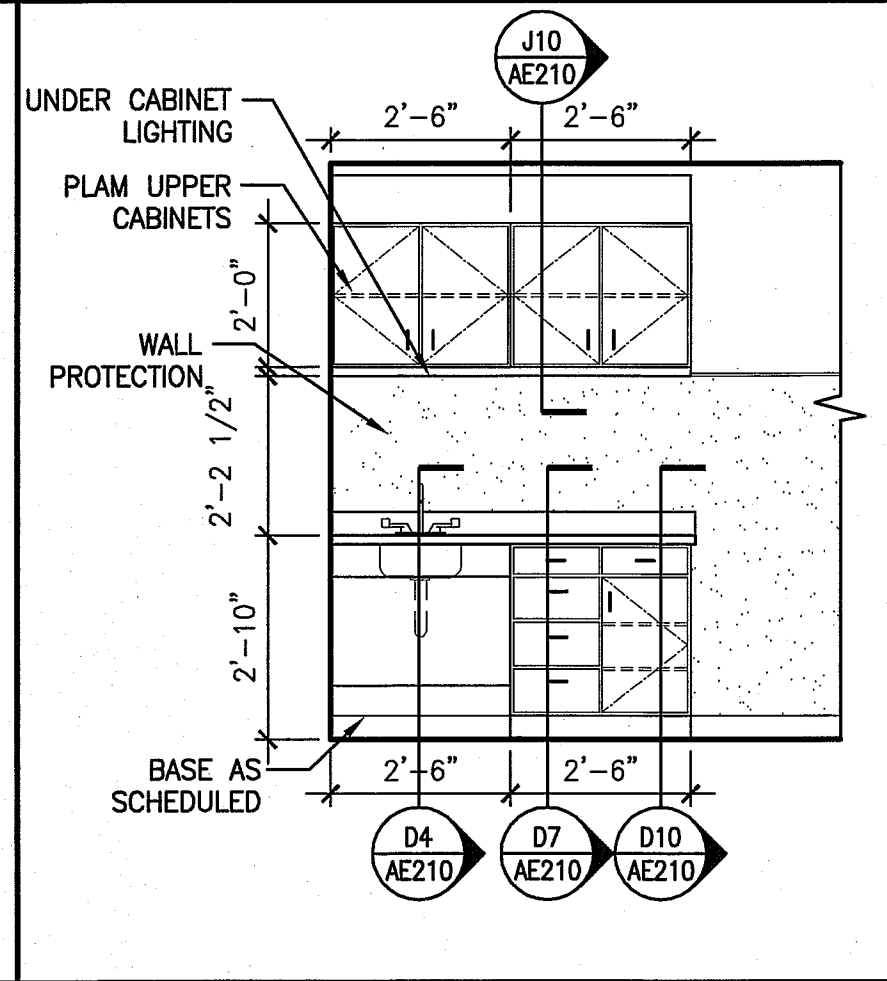
J10 CASEWORK DETAIL
1-1/2=1'-0" *



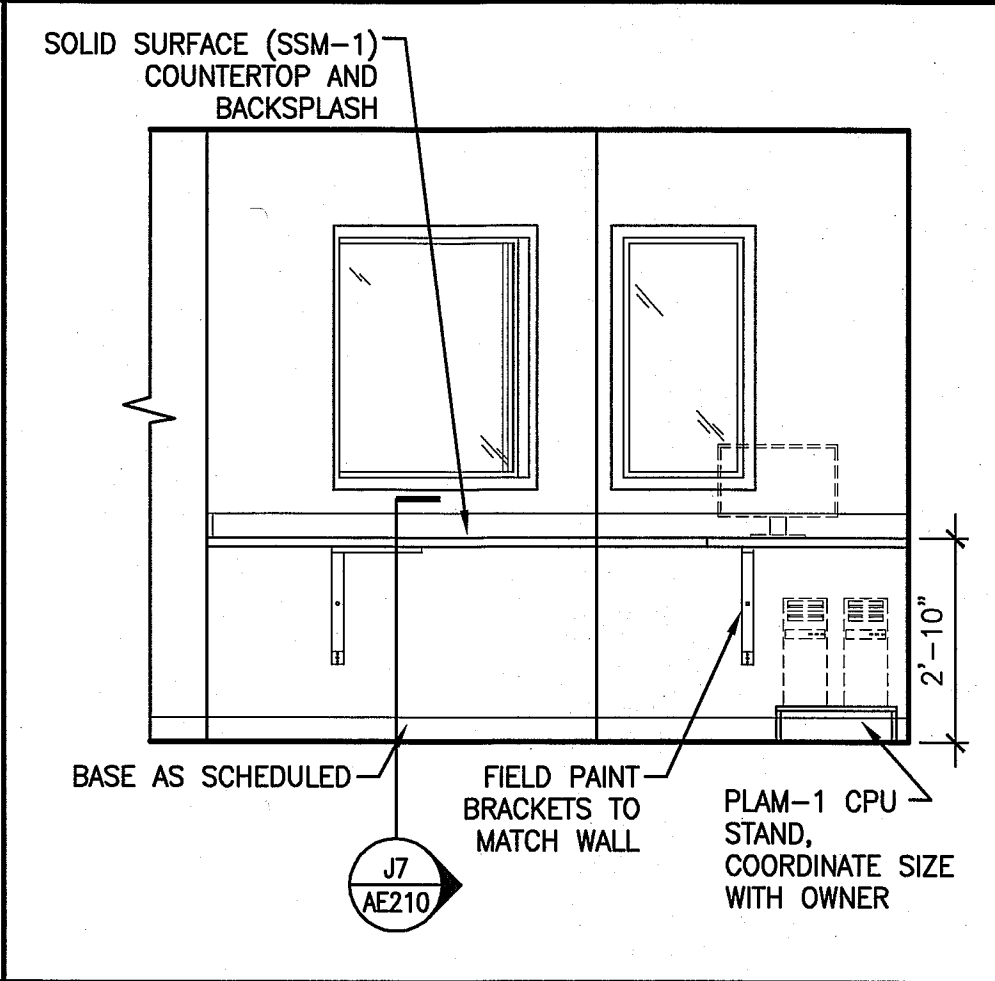
D10 CASEWORK DETAIL
1-1/2=1'-0" *



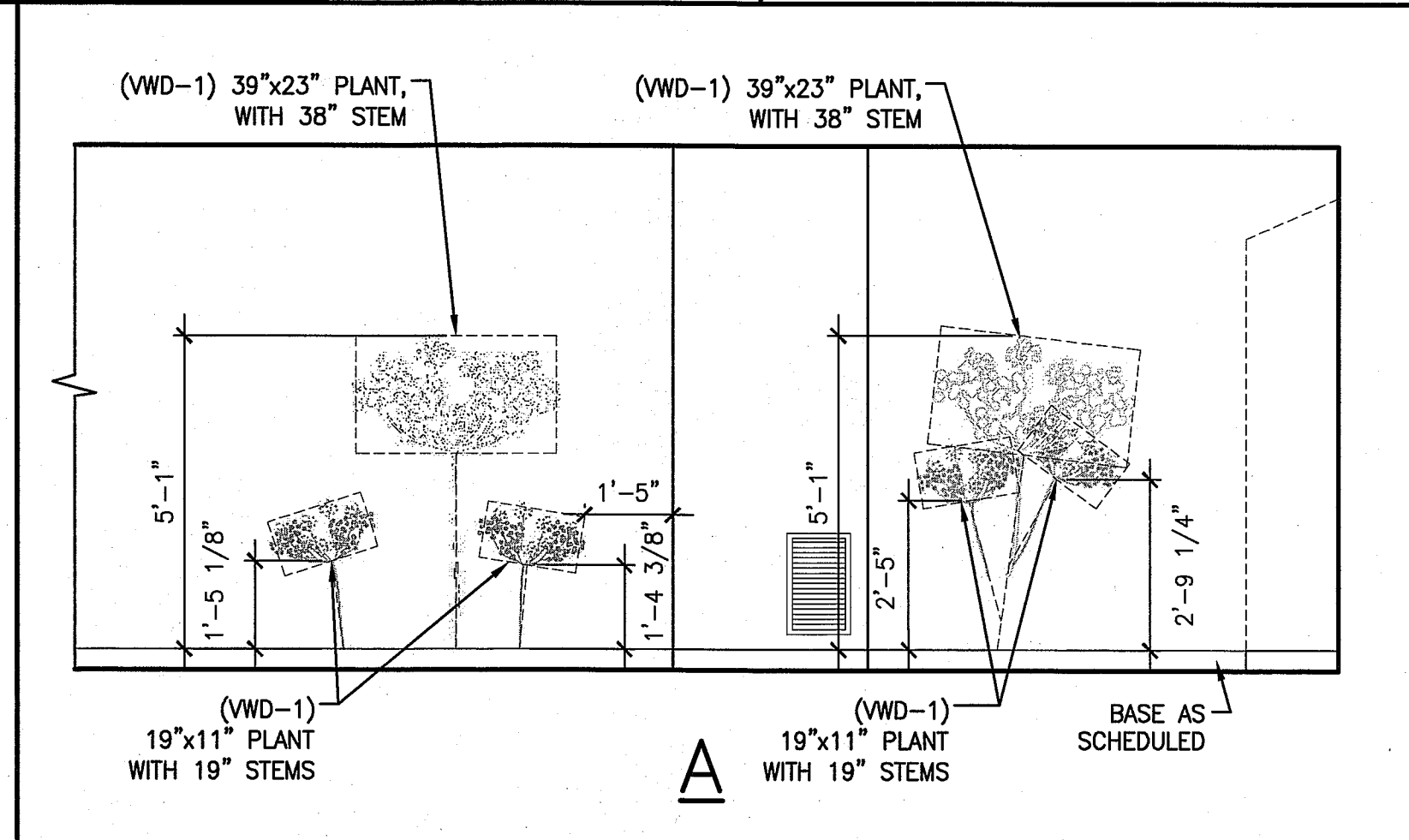
D14 CASEWORK DETAIL
1-1/2=1'-0" *



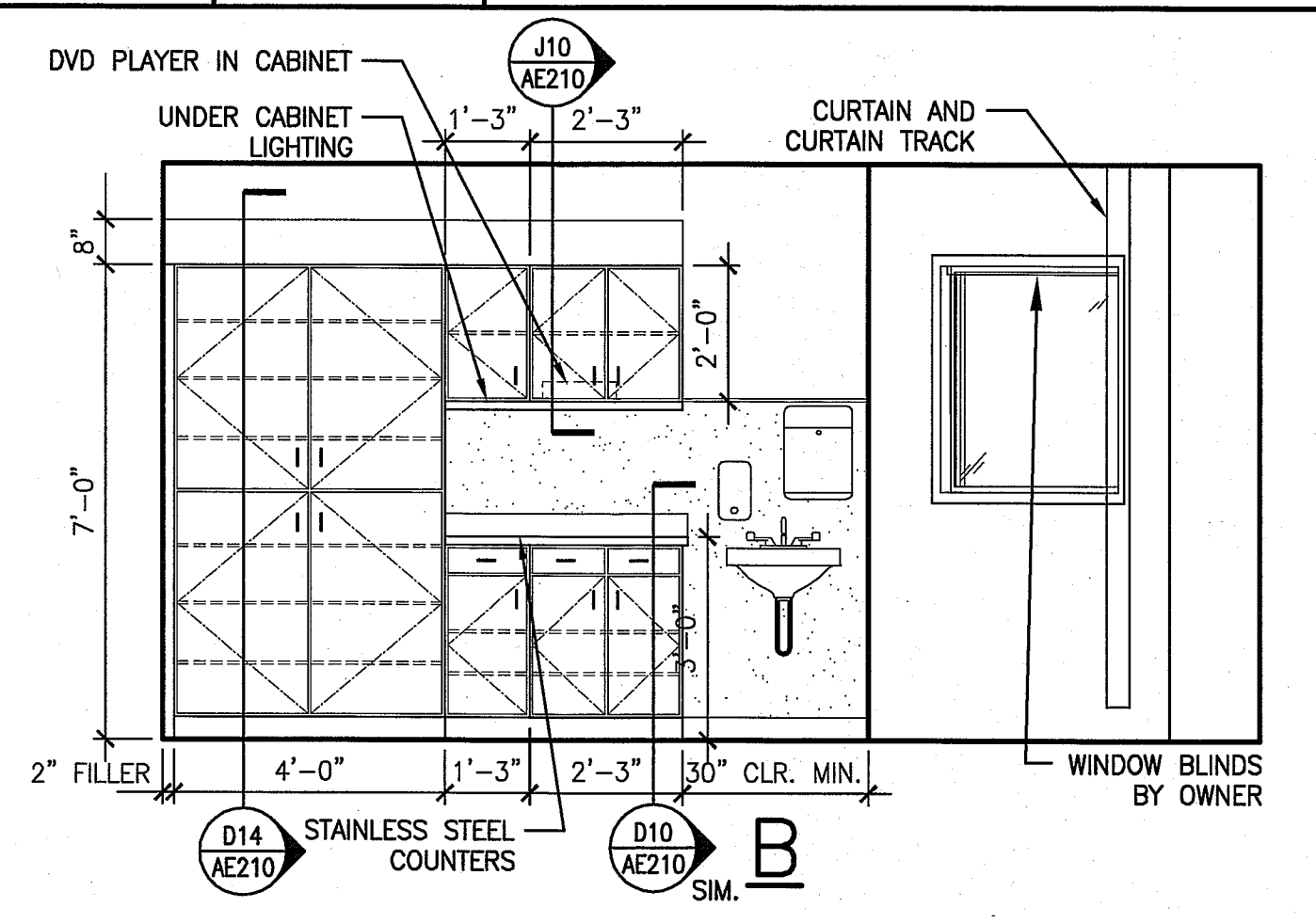
A4 THYROID, #B331
3/8"=1'-0" *



A6 CONTROL, #B336
3/8"=1'-0" *



A8 SPECT/CT #1, #B337
3/8"=1'-0" *



D14 CASEWORK DETAIL
1-1/2=1'-0" *

144 Fore Street/P.O. Box 618
Portland, Maine 04104
Tel: (207) 772-3946
Fax: (207) 772-1070
www.smriinc.com

ARCHITECTURE
ENGINEERING
PLANNING
INTERIOR DESIGN
COMMISSIONING

SMRI

PROJECT NORTH

LICENSED ARCHITECT
DEREK J. VEILLEUX
No. 3185
STATE OF MAINE
10.10.14

MAINE MEDICAL CENTER
NUCLEAR MEDICINE RENOVATIONS - PHASE 2
PORTLAND, MAINE

ISSUED FOR CONSTRUCTION
10-10-14

GRAPHIC SCALE:
0" = 1'

SCALE: 1/4"=1'-0"
PROJECT MANAGER: DJV
JC/DRAWN BY: MDR
A/E OF RECORD: DJV
CAD FILE: AE210-14113
PROJECT NO: 14113
DATE: 10-10-14

SHEET TITLE:
INTERIOR ELEVATIONS

SHEET No.
AE210
© COPYRIGHT 2013 SMRI INC.