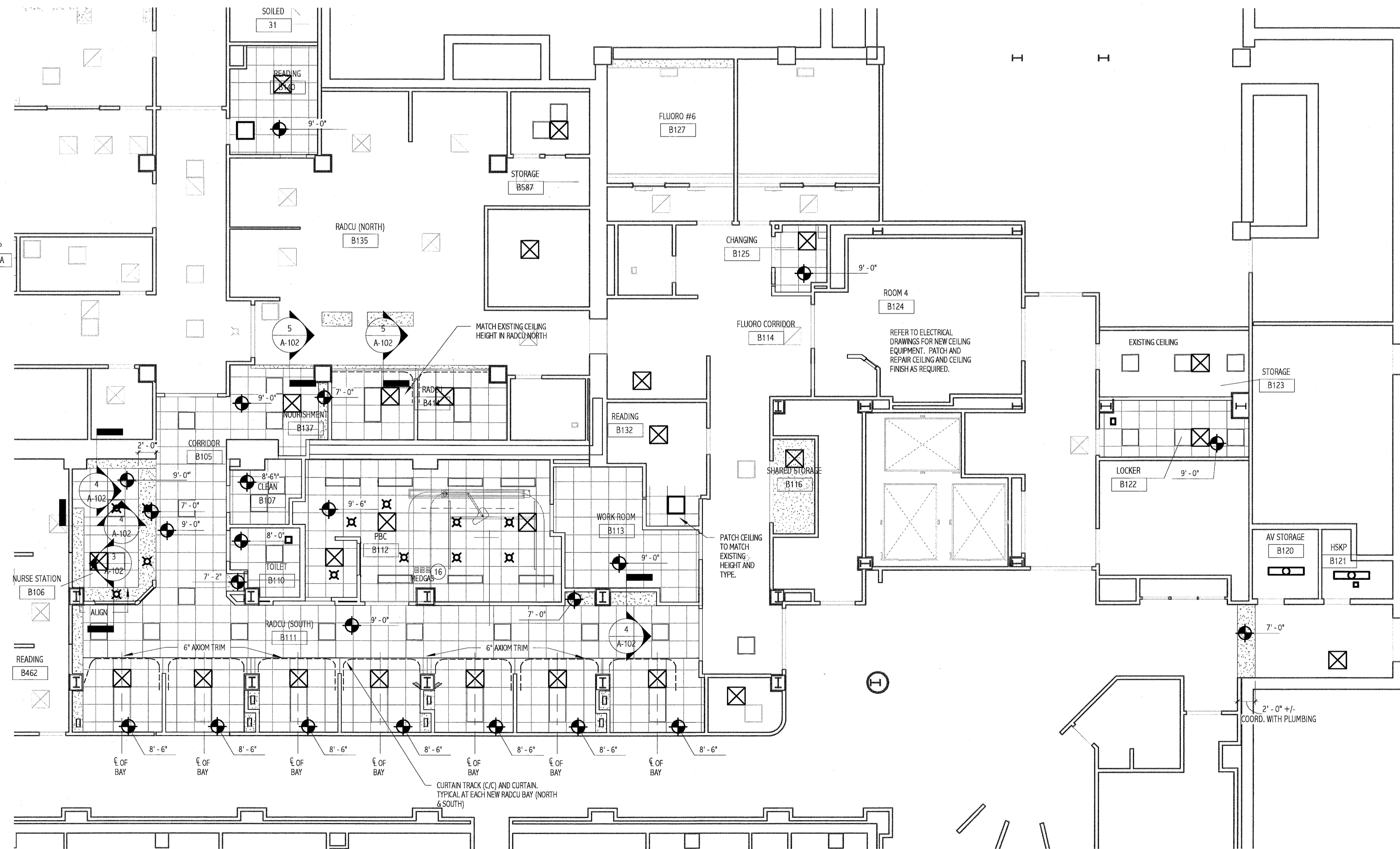
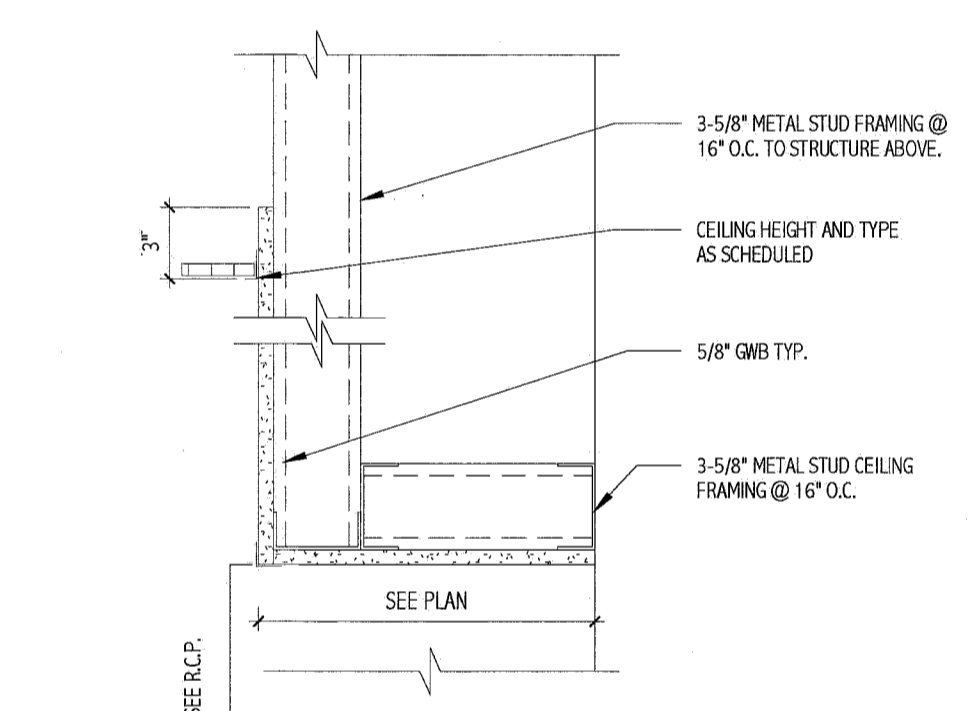


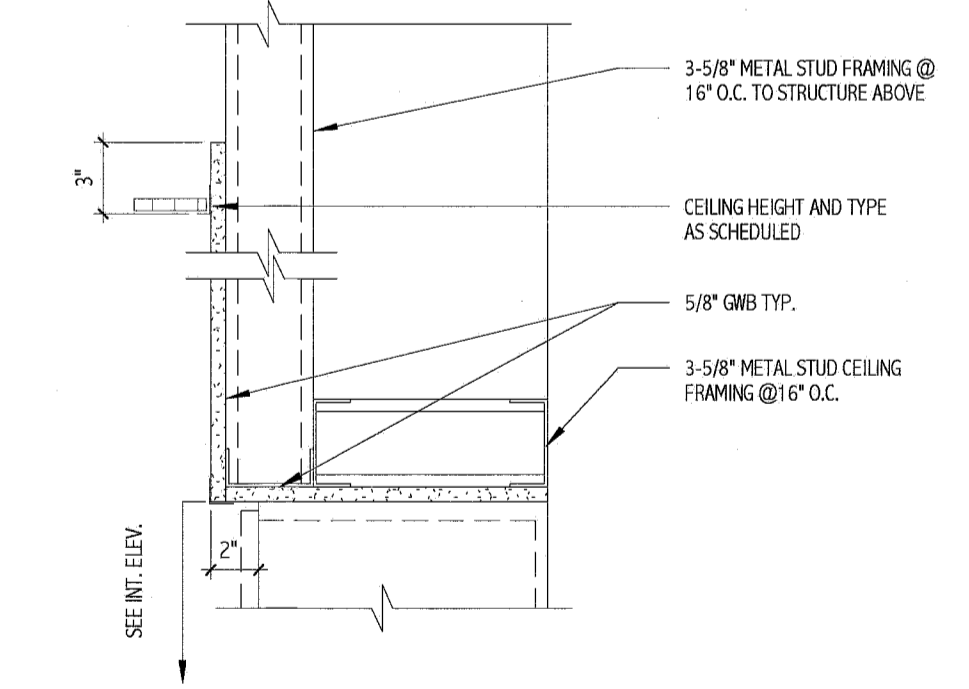
1 LOCKER ROOM & HSKP FLOOR PLAN
1/4" = 1'-0"



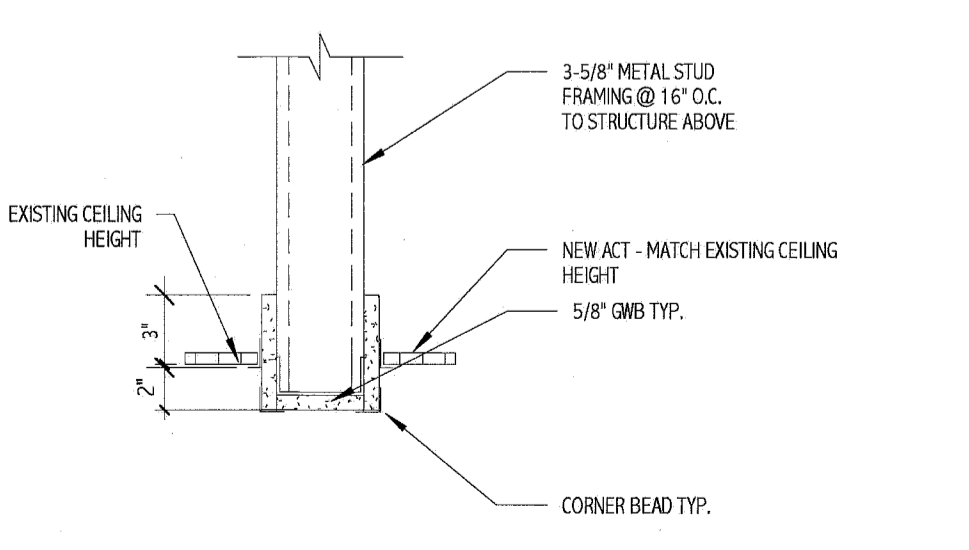
2 BASEMENT REFLECTED CEILING PLAN
1/8" = 1'-0"



3 SOFFIT DETAIL
1 1/2" = 1'-0"



4 SOFFIT DETAIL
1 1/2" = 1'-0"



5 SOFFIT DETAIL
1 1/2" = 1'-0"

GENERAL NOTES:

- REFER TO G-001 FOR PROJECT GENERAL NOTES AND ABBREVIATIONS.

REFLECTED CEILING NOTES:

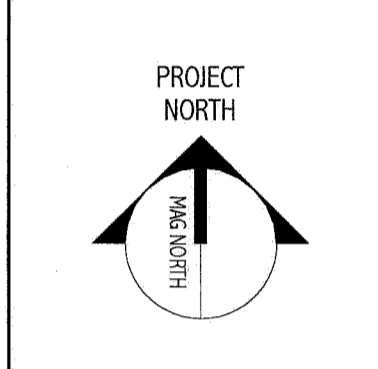
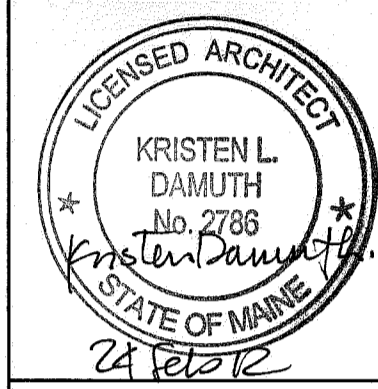
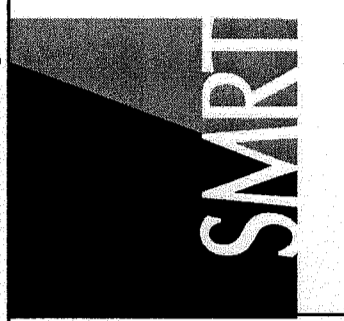
- UNLESS INDICATED OTHERWISE, CENTER CEILING GRIDS IN ROOMS. USE HALF TILES OR GREATER AT PERIMETERS WHERE POSSIBLE.
- ALIGN CEILING ITEMS AS SHOWN, WITH COMMON CENTERLINES, TYPICALLY. CENTER ITEMS IN CEILING, OR IN AREAS UNLESS INDICATED OTHERWISE.
- REFER TO ROOM FINISH SCHEDULE FOR CEILING FINISHES TO BE PROVIDED.
- FIRE SPRINKLERS SHALL BE CENTERED IN CEILING TILE SQUARES.
- FIRE SPRINKLERS SHALL BE LOCATED IN ALIGNMENT WITH OTHER CEILING ITEMS TYPICALLY.
- FIRE SPRINKLERS SHALL BE PLACED TO COORDINATE WITH LIGHT FIXTURE POSITIONS INDICATED.
- REFER TO FLOOR PLANS FOR EQUIPMENT SCHEDULE.

SYMBOLS LEGEND:

- 2x2 SUSPENDED CEILING PANEL AND GRID ASSEMBLY
- GWB CEILING
- 2x2 LAY-IN LIGHT FIXTURE
- 2x4 LAY-IN LIGHT FIXTURE
- DOWN LIGHT
- CEILING MOUNTED EXIT LIGHT
- RETURN AIR GRILLE
- SUPPLY AIR GRILLE
- EXHAUST AIR GRILLE
- CUBICLE CURTAIN AND TRACK

144 Free Street, D. Box 618
Portland, Maine 04104
Tel: (207) 772-3846
Fax: (207) 772-1070
www.mimic.com

ARCHITECTURE
ENGINEERING
PLANNING
INTERIOR DESIGN
COMMISSIONING



MAINE MEDICAL CENTER
HOLDING, RADCU & PBC RENOVATION
PORTLAND, ME

ISSUED FOR CONSTRUCTION
02.24.12

CURRENT ISSUE STATUS:

NO.	DATE	DESCRIPTION

GRAPHIC SCALE:
0" 1"

SCALE: As Indicated

PROJECT MANAGER: KD

IC/DRAWN BY: ART

A/E OF RECORD: KD

PROJECT NO: 11063

DATE: 00.00.00

SHEET TITLE:
LAYOUT PLAN,
REFLECTED CEILING
PLAN & DETAILS