

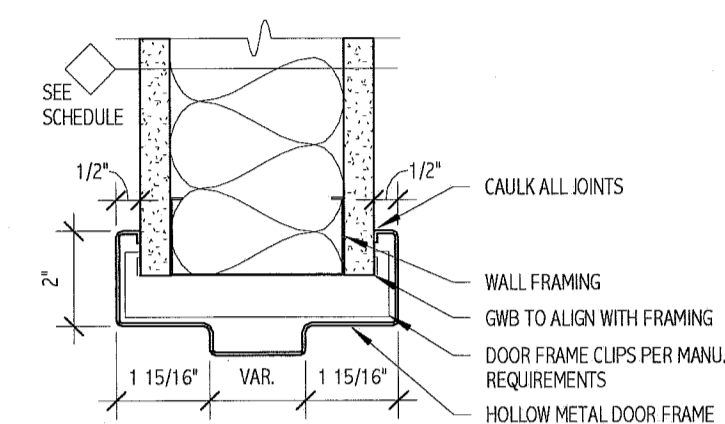
DOOR AND FRAME SCHEDULE(ANGIO)														
DOOR #	DOOR			FRAME										REMARKS
	WIDTH	HEIGHT	THICK	MAT'L	ELEV	GLAZ	MAT'L	ELEV	HEAD	JAMB	SILL	HARDWARE SET	FIRE RATING	
B445A	7'-0"	7'-0"	1 3/4"	WD	F	-	HM	1	1/A-601	2/A-601	-	HW-1	-	
B445B	3'-0"	7'-0"	1 3/4"	WD	F	-	HM	1	1/A-601	2/A-601	-	HW-1	-	
B447A	5'-0"	7'-0"	1 3/4"	WD	NG	TEMP	HM	1	1/A-601	2/A-601	-	HW-2	-	1'-0" x 7'-0", 4'-0" x 7'-0", 1/16" LEAD LINED
B447B	3'-0"	7'-0"	1 3/4"	WD	F	-	HM	1	1/A-601	2/A-601	-	HW-3	-	DOOR/HARDWARE IS EXISTING TO BE RELOCATED.

DOOR HARDWARE:

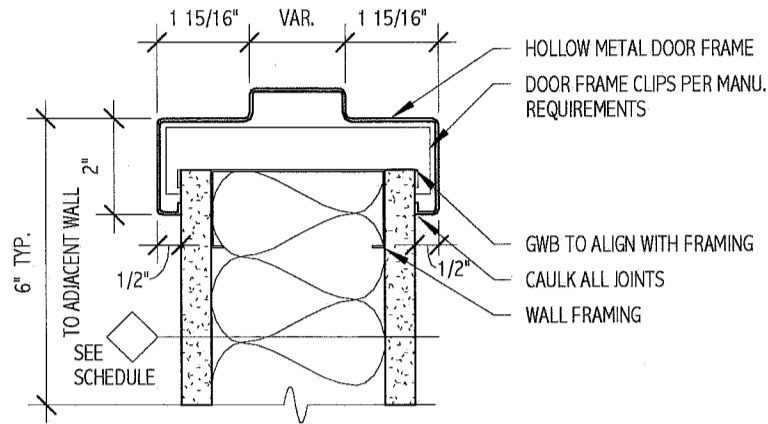
HW-1 (STORAGE) HINGES, LOCKSET (STORAGE FUNCTION), CLOSER, STOP, ARMOR PLATE (PROCEDURE ROOM SIDE), PROVIDE FLOOR & HEADER FLUSH BOLTS AT INACTIVE LEAFS. PROVIDE CLOSER AT INACTIVE LEAFS.

HW-2 (OR DOOR) - HINGES, HOSPITAL LATCH (PASSAGE), KICKPLATE BOTH SIDES, STOP.

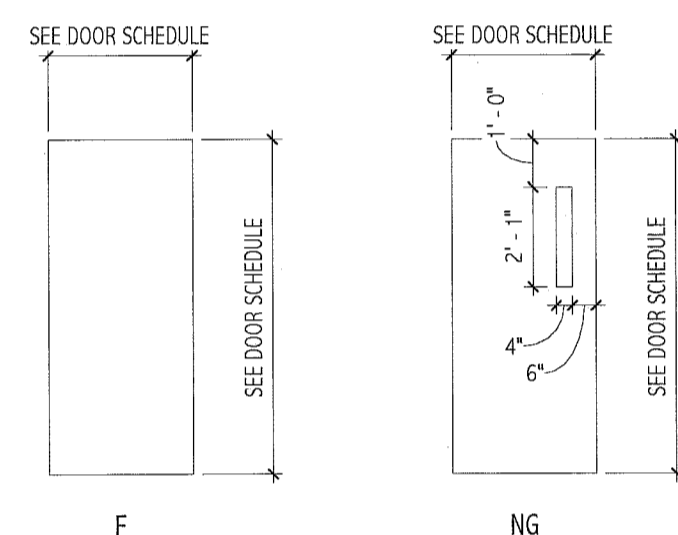
HW-3 EXISTING HARDWARE ON EXISTING DOOR.



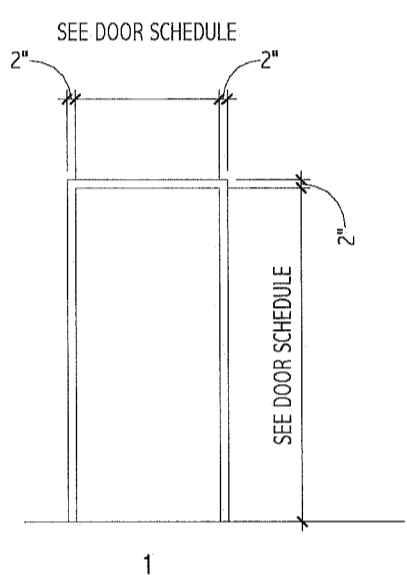
1 DOOR HEAD DETAIL
3" = 1'-0"



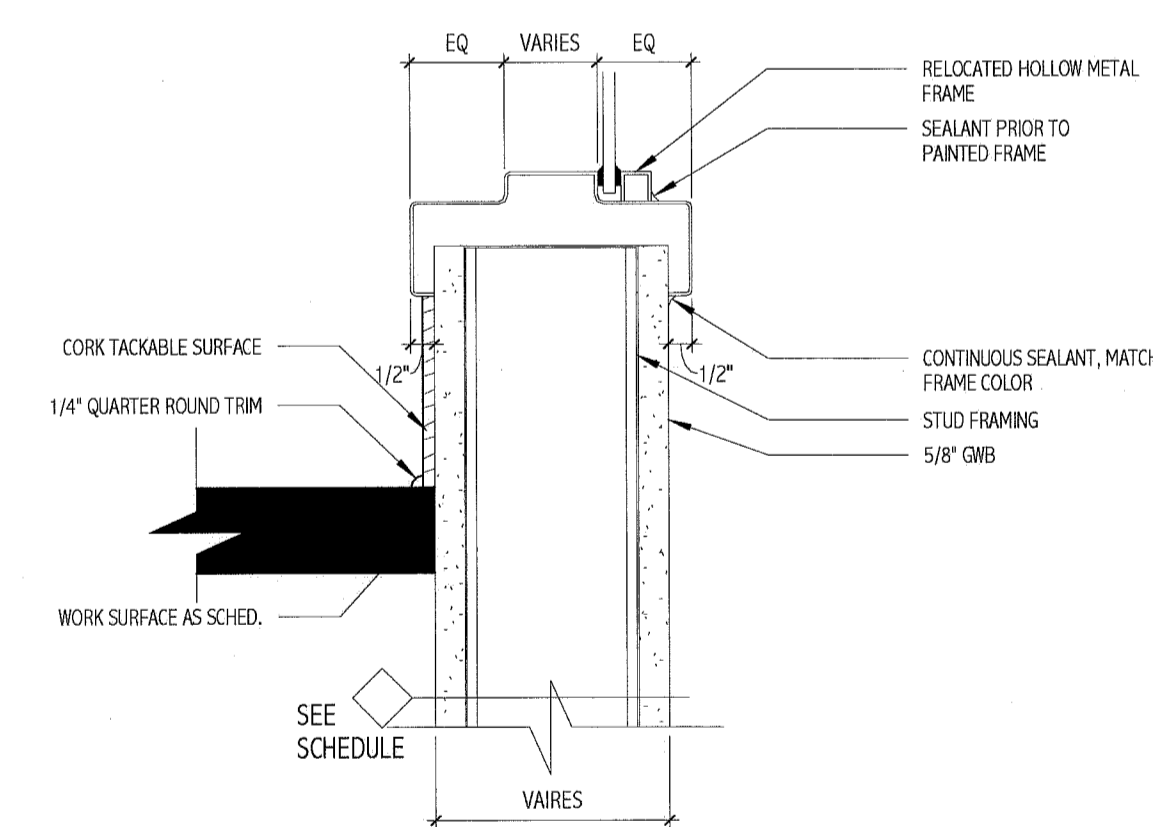
2 DOOR JAMB DETAIL
3" = 1'-0"



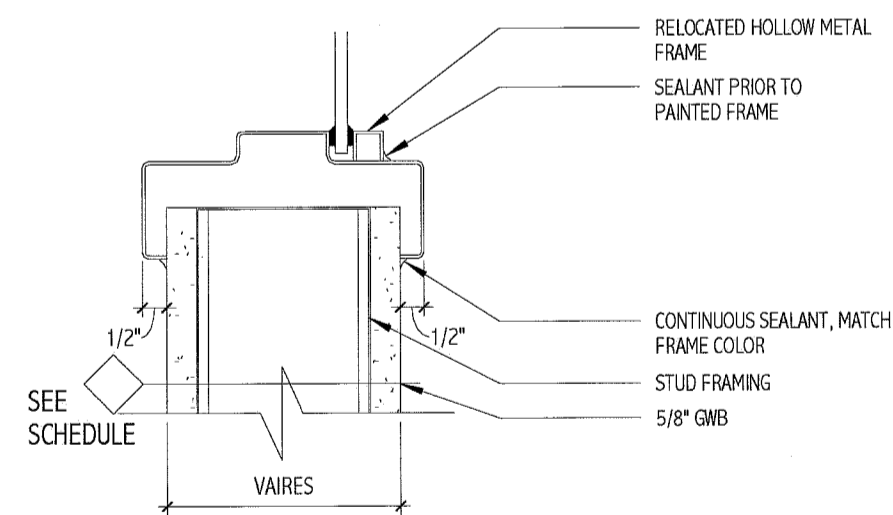
4 DOOR LEAF TYPES
1/4" = 1'-0"



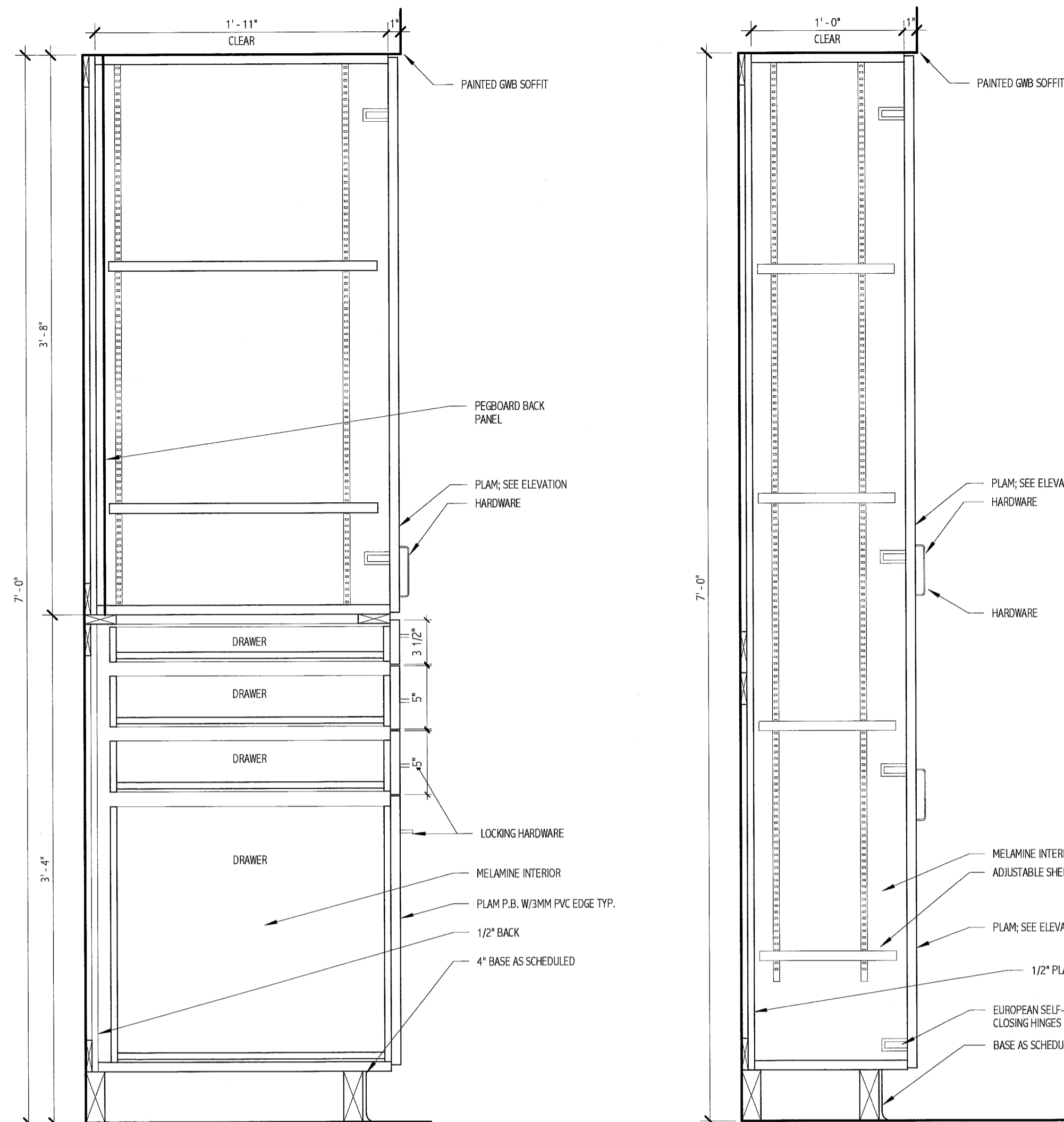
3 DOOR FRAME TYPES
1/4" = 1'-0"



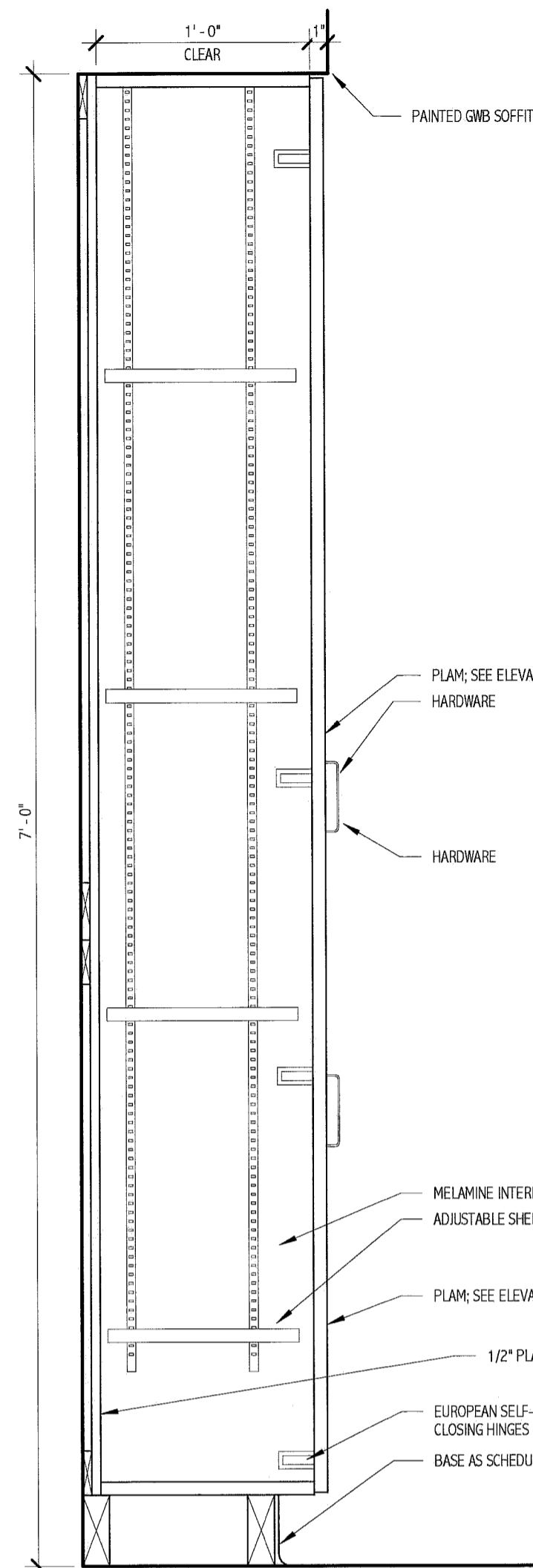
6 WINDOW DETAIL - INTERIOR
3" = 1'-0"



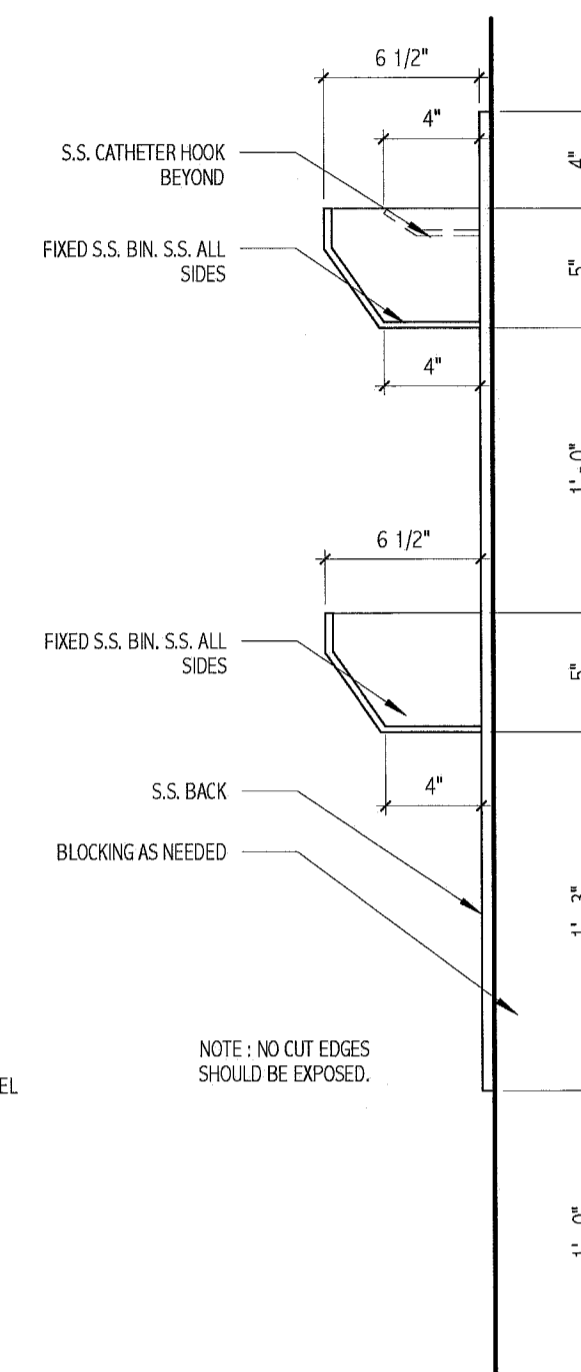
5 WINDOW DETAIL - INTERIOR
3" = 1'-0"



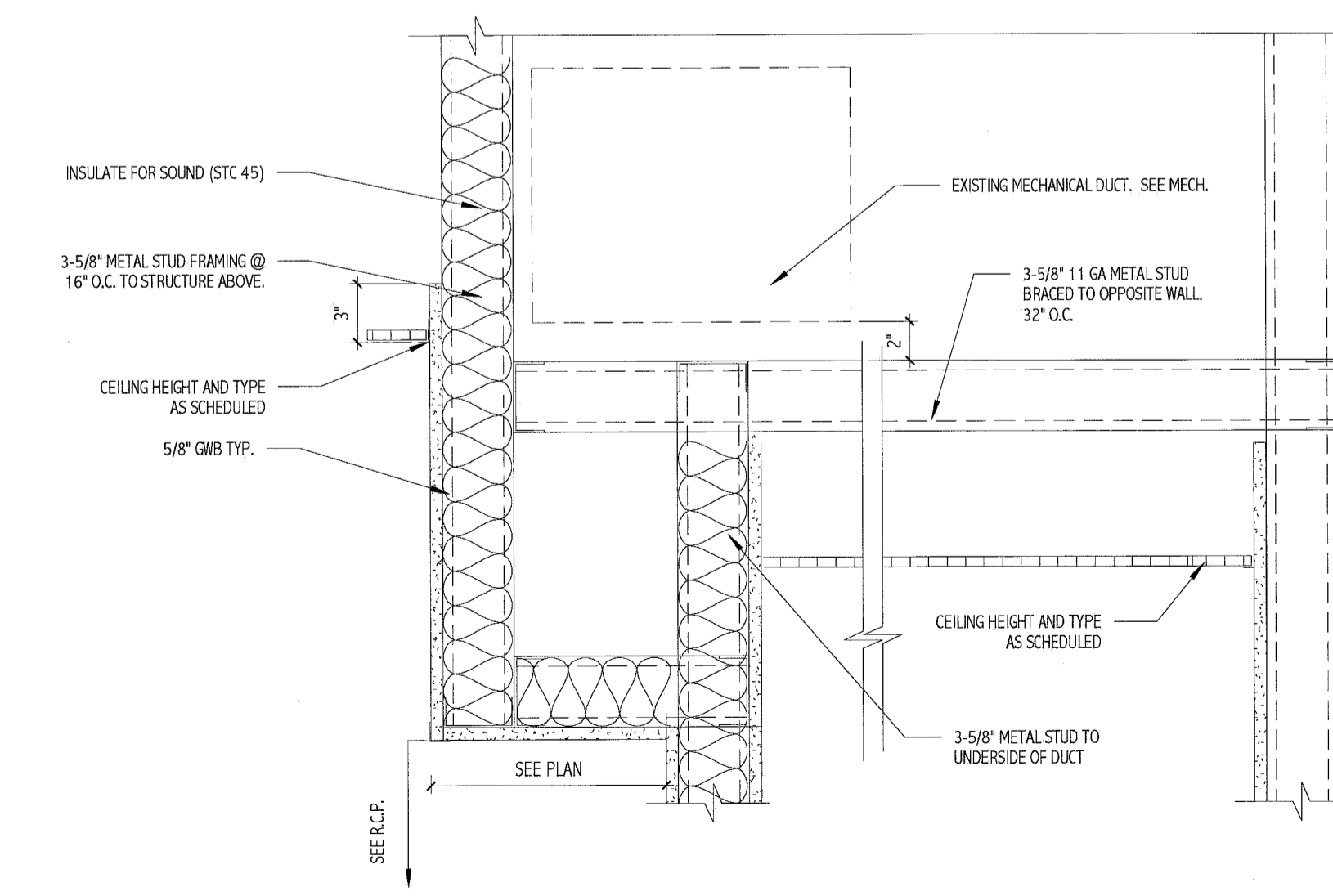
7 CASEWORK DETAIL
1 1/2" = 1'-0"



9 CASEWORK DETAIL
1 1/2" = 1'-0"



8 CASEWORK DETAIL
1 1/2" = 1'-0"

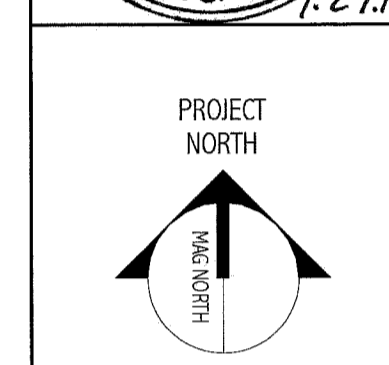
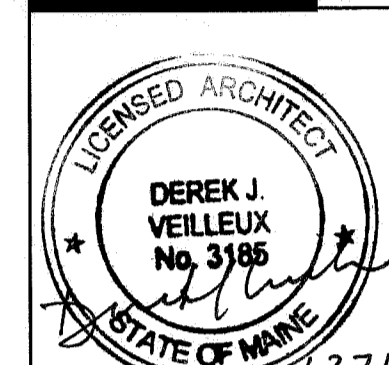


10 SOFFIT DETAIL
1 1/2" = 1'-0"

DOOR NOTES:

- REFER TO SPECIFICATIONS FOR DOOR HARDWARE SETS.
- ALL SWING DOORS SHALL BE 1-3/4" THICK UNLESS OTHERWISE NOTED.
- ALL DOORS SHALL BE 3/4" UNDERCUT (TYP.) EXCEPT WHEN THERE IS A BOTTOM FRAME, SILL, THRESHOLD OR SPECIFICALLY NOTED OTHERWISE.
- ALL DOORS WITH BOTTOM FRAMES OR SILL THRESHOLDS SHALL HAVE MANUFACTURERS RECOMMENDED STANDARD UNDERCUT.
- GLAZING NOTED ON DOOR SCHEDULE IS FOR THE DOOR AND SIDELIGHTS IN THE FRAME (TYP.).
- PROVIDE MMC STANDARD DOOR HARDWARE SYSTEMS & MANUFACTURERS.
- PROVIDE WALL STOPS WHEREVER POSSIBLE. WHERE NOT POSSIBLE, REVIEW FLOOR STOP LOCATIONS WITH OWNER.

144 For Sheet 02, Rev. 018
Portland, Maine 04104
Tel: (207) 772-3846
Fax: (207) 772-1070
www.smartinc.com



MAINE MEDICAL CENTER
ANGIO SINGLE PLANE - ROOM 2
PORTLAND, ME

ISSUED FOR PERMITTING
01.27.12

CURRENT ISSUE STATUS:

NO.	DATE	DESCRIPTION	REV.

GRAPHIC SCALE:
0" 1"

SCALE: As Indicated

PROJECT MANAGER: DW

DRAWN BY: ART

DATE OF RECORD: DW

PROJECT NO: 11127

DATE: 8.24.10

SHEET TITLE:
DOOR SCHEDULE & DETAILS

SHEET No. A-601