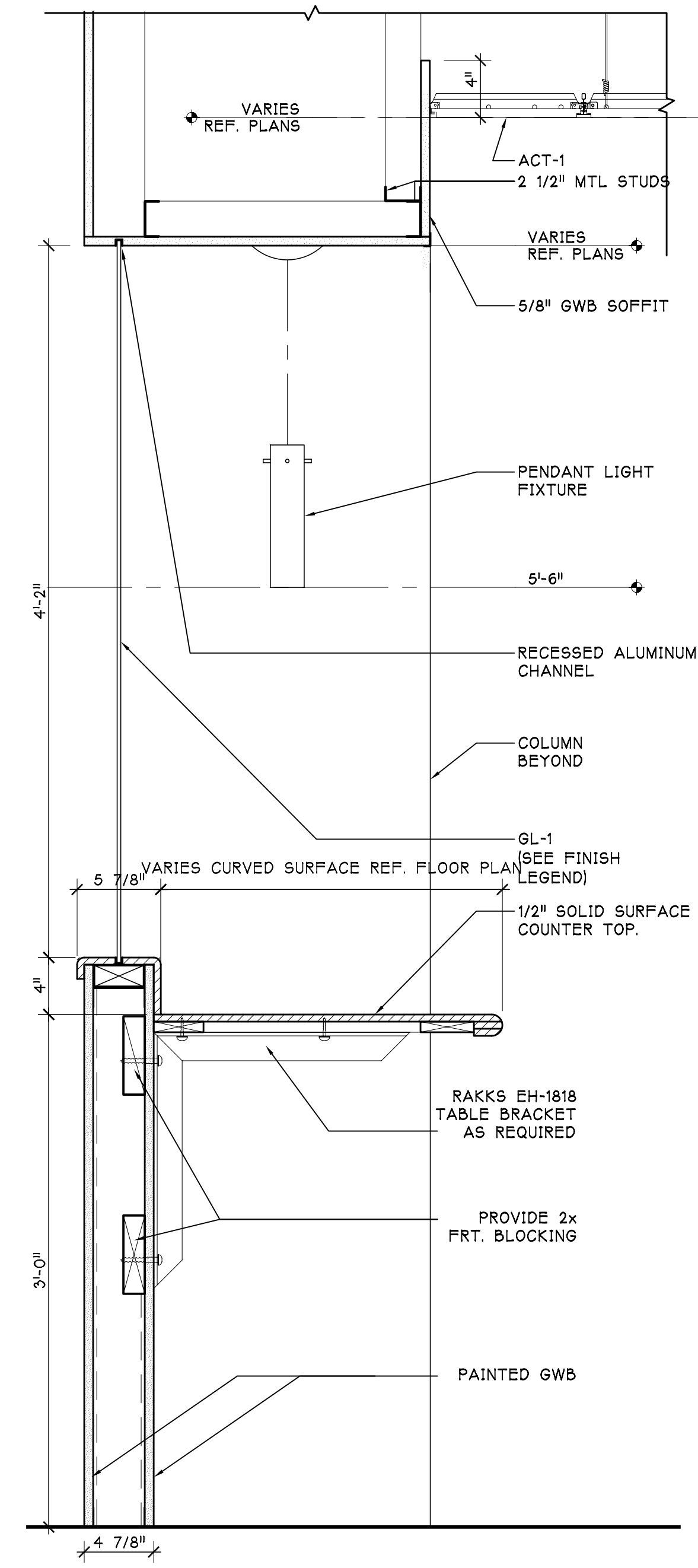


7 MILLWORK DETAIL @ CONDIMENT COUNTER
1 1/2" = 1'-0"



8 BAR DETAIL
1 1/2" = 1'-0"