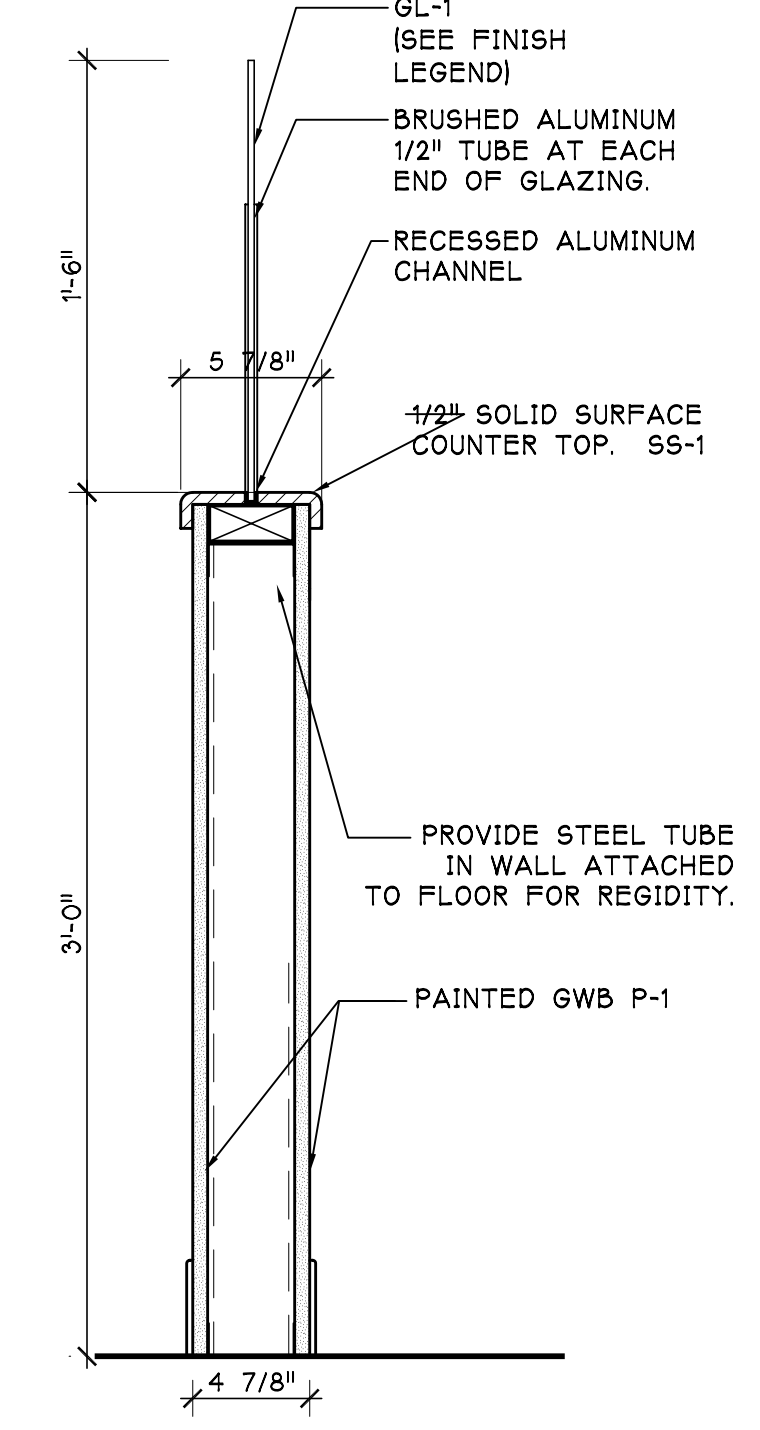
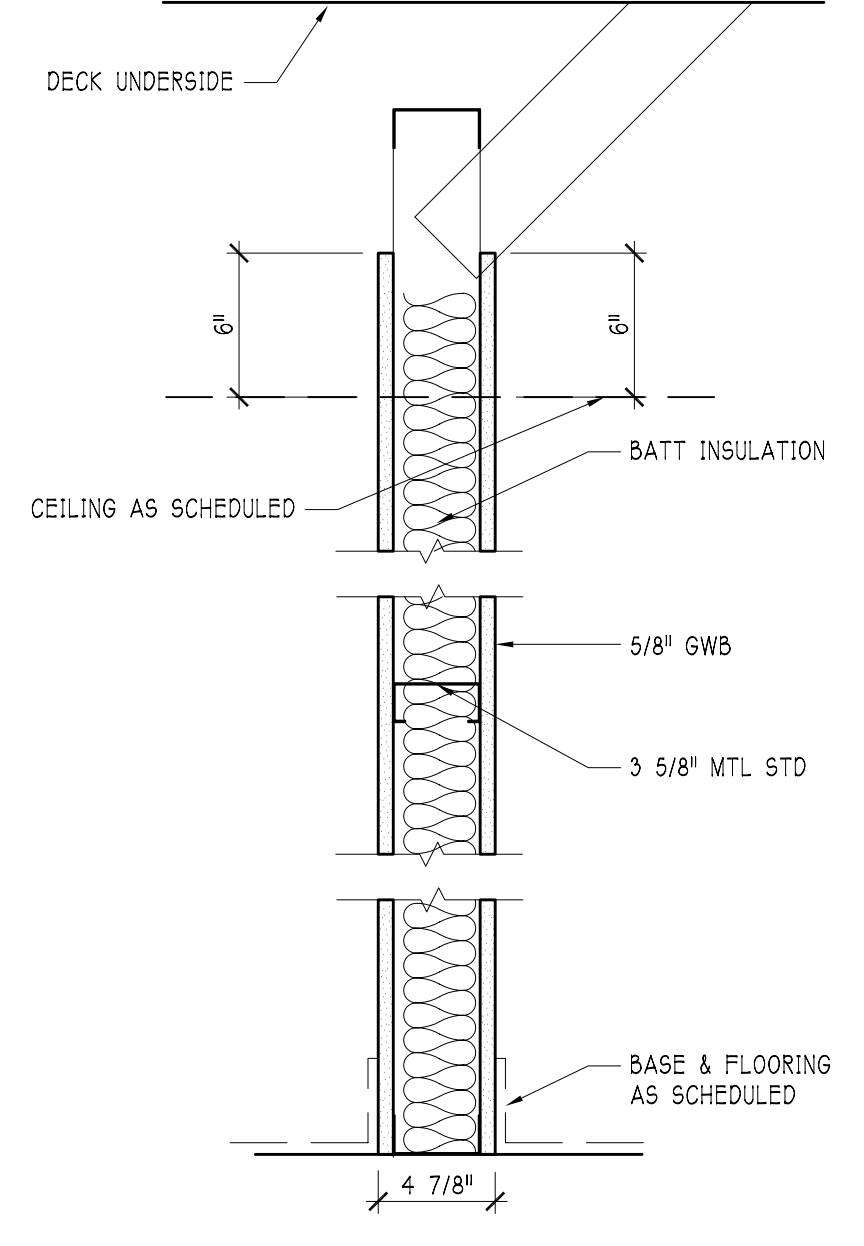


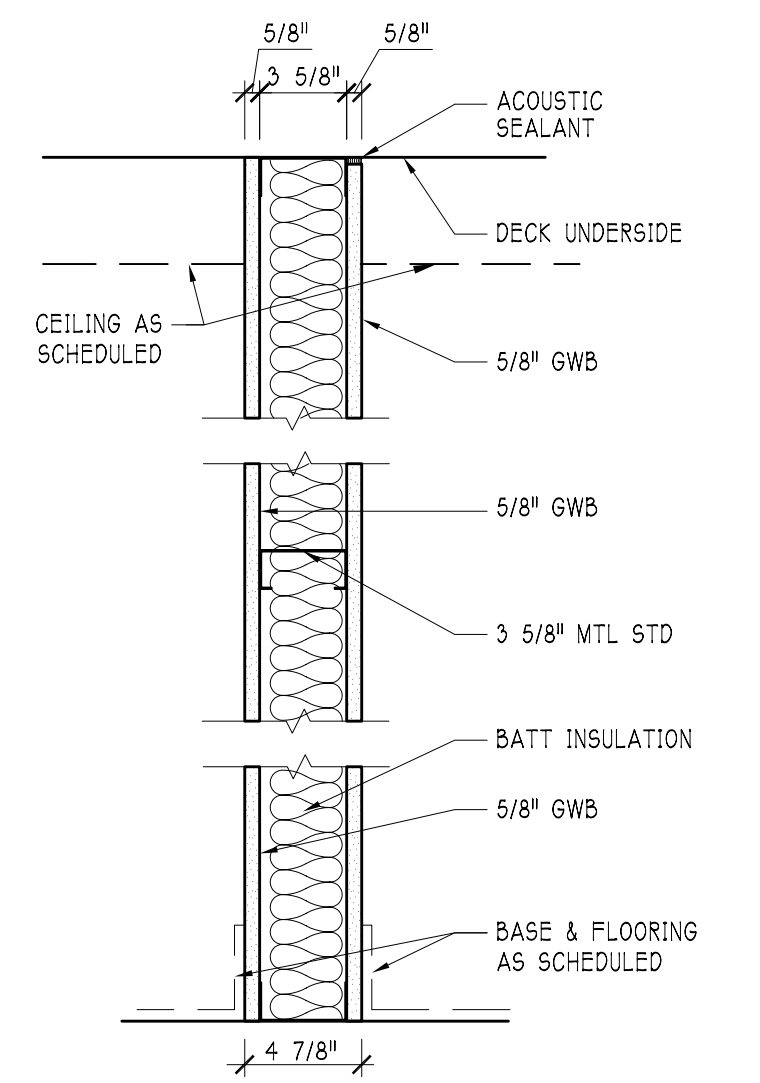
**6 PARTITION TYPE**  
1 1/2" = 1'-0"



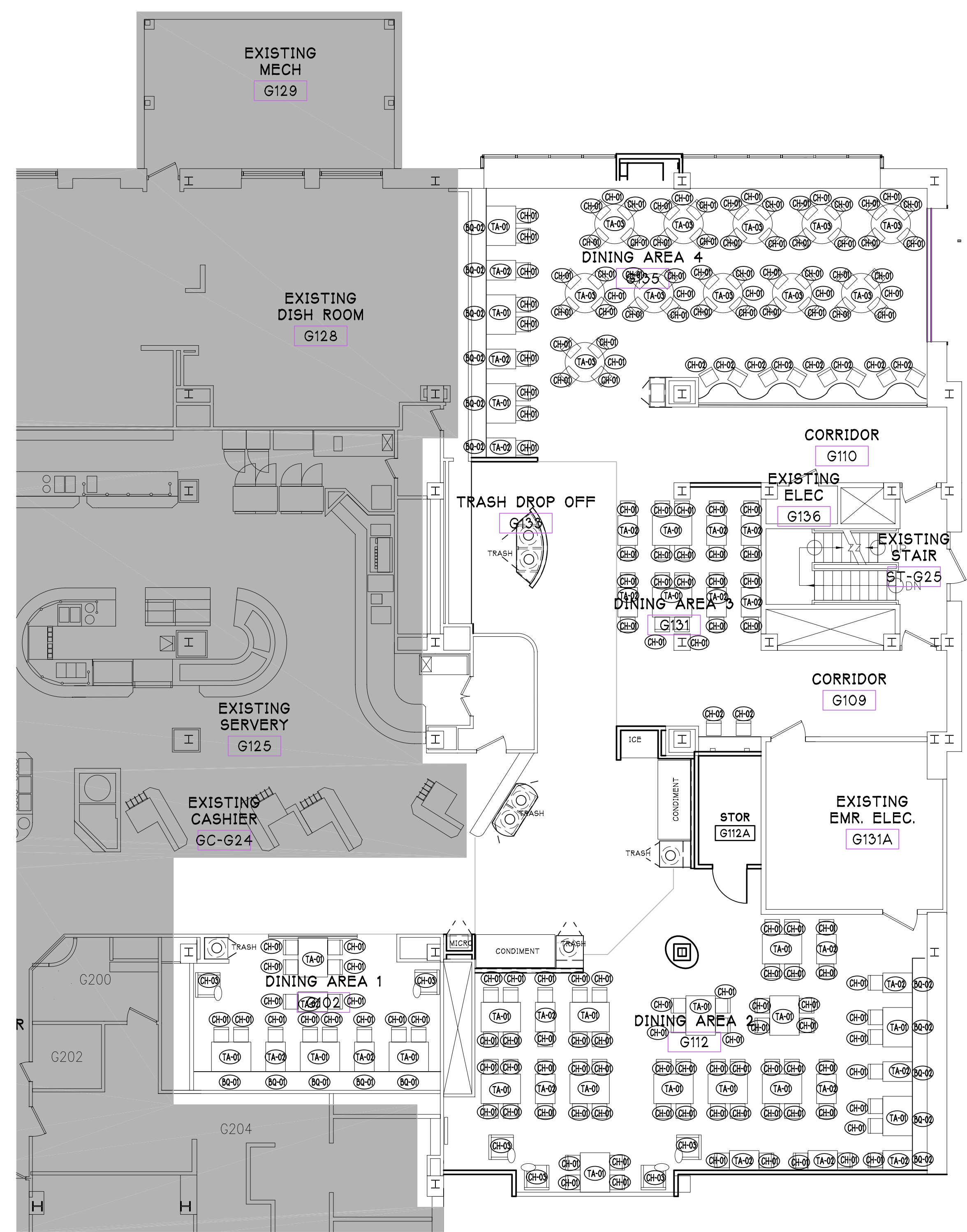
**3 PARTITION TYPE**  
1 1/2" = 1'-0"



**5 PARTITION TYPE**  
1 1/2" = 1'-0"



**2 PARTITION TYPE**  
1 1/2" = 1'-0"



**2 FURNITURE PLAN**  
1/8" = 1'-0"

FINISH LEGEND			
CPT-1	MANUFACTURER: COLLINS AND AIKMAN STYLE: 02803-APPLAUSE COLOR: 28502-MOSAIC DESCRIPTION: TDX NYLON 50% SOLUTION DYED 50% YARN DYED, 6" ROLLED GOODS	P-2	MANUFACTURER: ICI COLOR: BLUE DOOR 1492 AREA USED: ON SOFFIT AND WALLS AROUND BANQUETTE SEATING SEE ELEVATIONS
CT-1	MANUFACTURER: DAL-TILE STYLE: FRENCH QUARTER COLOR: TO MATCH EXISTING	P-3	MANUFACTURER: ICI COLOR: AUTUMN BLUSH 325 AREA USED: ACCENT WALLS AND CEILING SEE ELEVATIONS
RB-1	MANUFACTURER: JOHNSONITE STYLE: RUBBER WALL BASE COLOR: BLACK-40	P-4	MANUFACTURER: ICI COLOR: SCENIC ROSE 168 AREA USED: ACCENT CEILING SEE ELEVATIONS
P-1	MANUFACTURER: ICI STYLE: CUSTOM COLOR: OAKBUFF 7752W AREA USED: GENERAL WALL COLOR	GL-1	MANUFACTURER: 3-FORM STYLE: TING TING COLOR: N/A GAUGE: 1/4" FRONT AND BACK FINISH: T.B.D. (VERIFY WITH INTERIOR DESIGNER)
		SS-1	MANUFACTURER: CORIAN COLOR: AURORA AREA USED: MILLWORK COUNTERS
		PLAM-1	MANUFACTURER: NEVAMAR COLOR: GRAND ISLE MAPLE W8371T AREA USED: VERTICAL SURFACE ON MILLWORK

FURNITURE SCHEDULE			
Ⓢ	MANUFACTURER: PATRICIAN STYLE: SOPHIA MODEL #: 83100 STACK CHAIR FABRIC: MOMENTUM PATTERN: CANDID 463720 COLOR: 001 BARK	Ⓣ	MANUFACTURER: NEUDORFER TABLE TOP: MARMOLEUM TOP WITH RESIN KNIFE EDGE TABLE BASE: ARCH X-BASE IN BRUSHED CHROME MARMOLEUM COLOR: DUAL, 707 BARLEY EDGE COLOR: BLACK SIZE: 36" X 48"
Ⓢ	MANUFACTURER: PATRICIAN STYLE: SOPHIA MODEL #: 83111 BAR STOOL FABRIC: MOMENTUM PATTERN: CANDID 463720 COLOR: 001 BARK	Ⓣ	MANUFACTURER: NEUDORFER TABLE TOP: MARMOLEUM TOP WITH RESIN KNIFE EDGE TABLE BASE: ARCH X-BASE IN BRUSHED CHROME MARMOLEUM COLOR: DUAL, 707 BARLEY EDGE COLOR: BLACK SIZE: 24" X 36"
Ⓢ	MANUFACTURER: DAVID EDWARD STYLE: GOWER TABLET ARM LOUNGE MODEL #: 08313-R DESCRIPTION: TIGHT SEAT AND BACK; CLOSED ARM FRONT CASTERS WITH HAND HOLD ON BACK RAIL MAPLE WOOD FRAME. SEAT AND ARM PANELS FABRIC: MOMENTUM BRAVO COLOR: SADDLE IN/OUT BACK FABRIC: CF-STINSON TUSCAN GARDEN COLOR: CREMA GARDEN	Ⓣ	MANUFACTURER: NEUDORFER TABLE TOP: MARMOLEUM TOP WITH RESIN BULLNOSE EDGE TABLE BASE: ARCH X-BASE IN BRUSHED CHROME MARMOLEUM COLOR: DUAL, 707 BARLEY EDGE COLOR: BLACK SIZE: 48" ROUND
Ⓢ	MANUFACTURER: DOR-VAL MANUFACTURING STYLE: ASHTON BENCH SEATING MODEL #: CUSTOM SEAT FABRIC: MOMENTUM BRAVO SEAT COLOR: SADDLE BACK FABRIC: KNOLL, CHARM K1049/2 BACK COLOR: QUARTZ	Ⓢ	MANUFACTURER: DOR-VAL MANUFACTURING STYLE: ASHTON BENCH SEATING MODEL #: CUSTOM SEAT FABRIC: MOMENTUM BRAVO SEAT COLOR: SADDLE BACK FABRIC: LIZ JORDAN HILL MAYAN BACK COLOR: CONGA