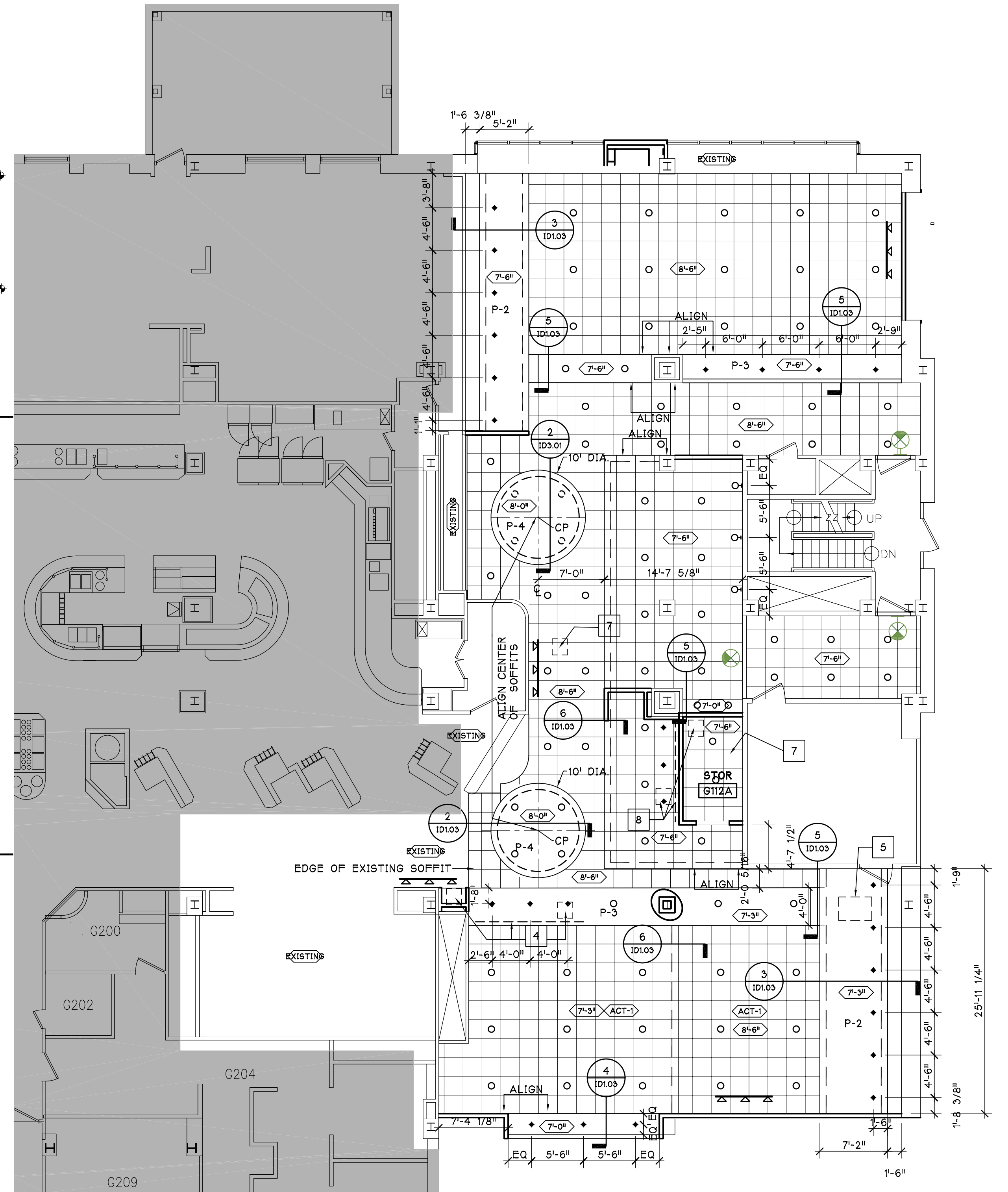


**MAINE MEDICAL CENTER
IMPRESSIONS CAFE**
Portland, Maine

Scale: AS NOTED
Project Number: 07-P412.00
Date: AUG 6, 2007
Revisions:

CONSTRUCTION SET

ID1.03



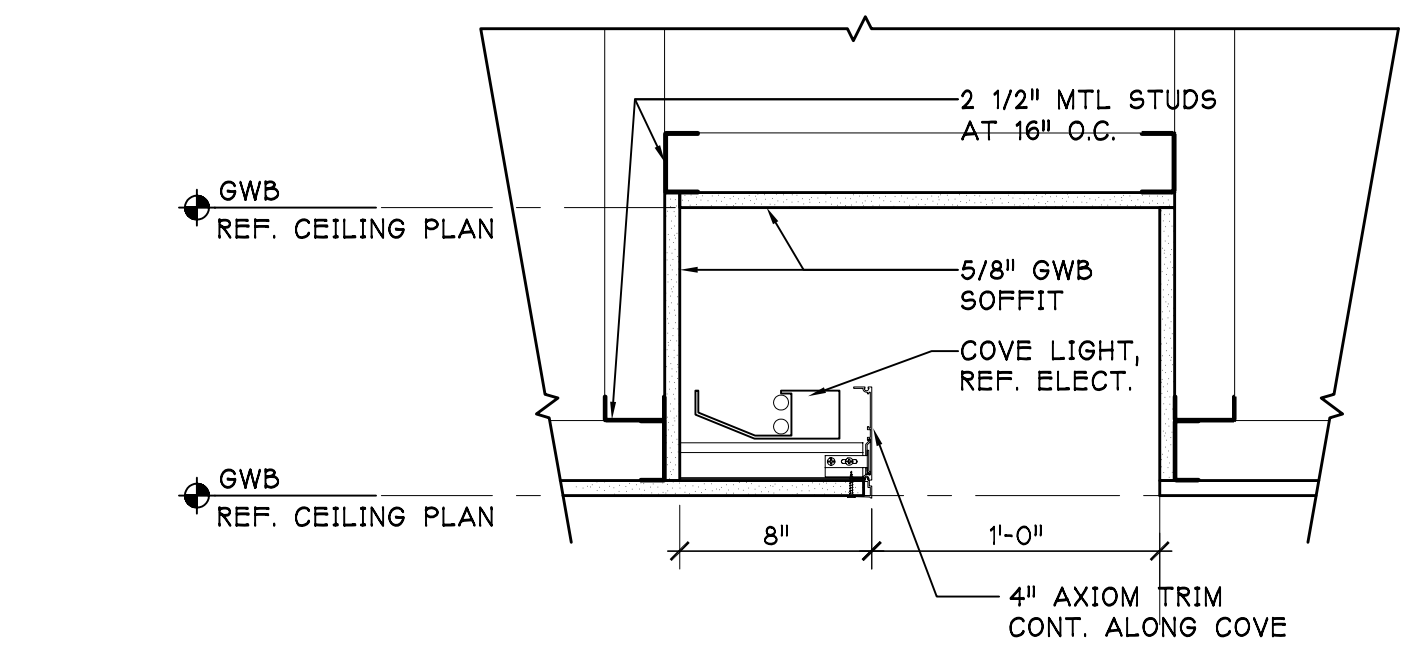
1 REFLECTED CEILING PLAN
1/8" = 1'-0"

- CEILING NOTES**
- HVAC SHALL BE DESIGN BUILD AND COORDINATED IN THE FIELD.
 - EXISTING FIRE PROTECTION SYSTEM AND ACCESSORIES SHALL BE MAINTAINED.
 - ALL EXISTING EXIT SIGNS SHALL BE MAINTAINED.
 - FIBER OPTIC LIGHTING IS LOCATED AT GLAZING. SEE DETAIL 1/ID3.02. QTY OF 2 ILLUMINATORS LOCATED IN BASE CABINET AT CONDIMENT AREA.
 - PROVIDE METAL ACCESS PANEL IN SOFFIT. RECESSED MODEL FLUSH WITH CEILING. PAINT TO MATCH.
 - ALL AXIOM TRIM SHALL BE PROVIDED TO OWNER AS ALTERNATE.
 - ONE ILLUMINATOR ABOVE CEILING AT THIS LOCATION SECURED TO ACOUSTICAL CEILING T-GRID. ONE ILLUMINATOR WITH DUAL FEED FOR CIRCULAR SOFFITS.
 - FIBER OPTIC LIGHTING IS LOCATED AT GLAZING. SEE DETAIL 7/ID3.02. ONE ILLUMINATOR LOCATED IN BASE CABINET AT CONDIMENT AREA AND ONE IN STORAGE ROOM ATTACHED TO WALL.

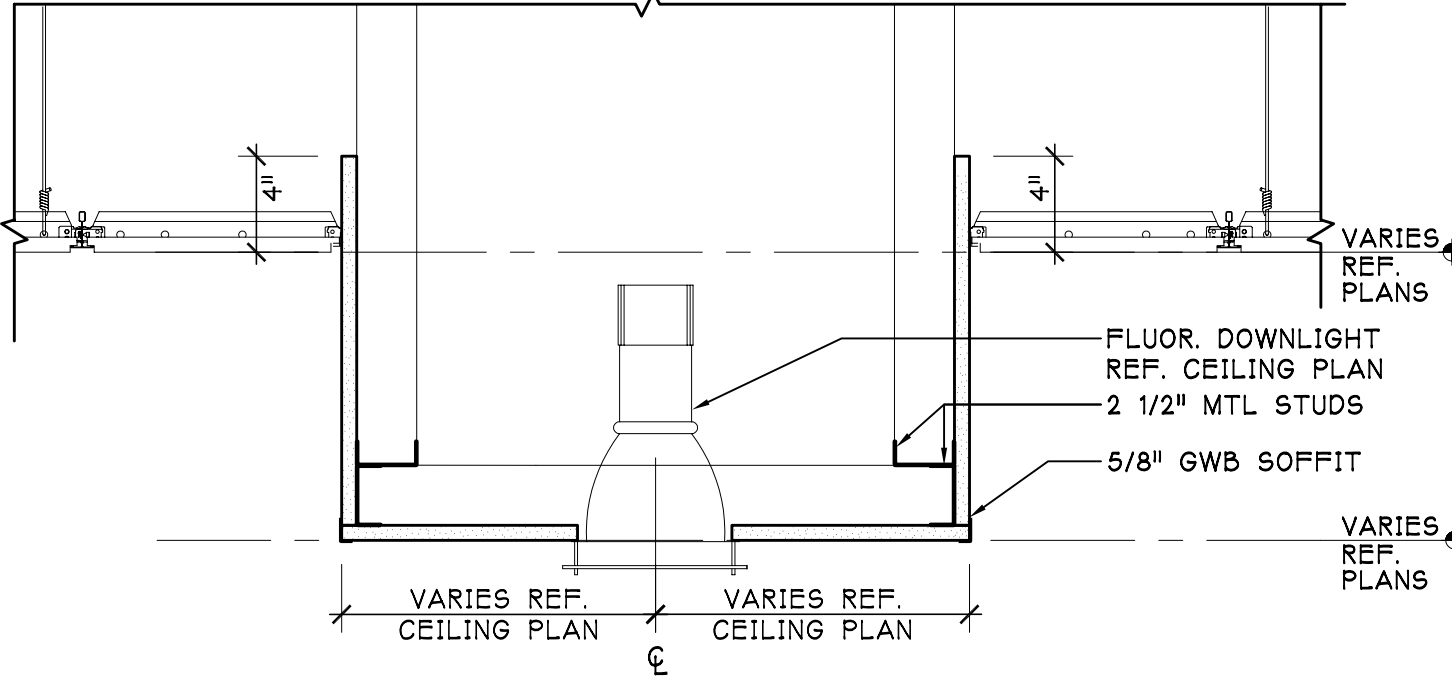
LEGEND

	ACT CEILING SYSTEM. ARMSTRONG OPTIMA OPEN PLAN ACT CEILING SYSTEM. "HUMIGUARD" # 3251 24" X 24" X 1"		CUSTOM LIGHT FRAME FIXTURE AT GLAZING LOCATE ILLUMINATORS AS NOTED
	GWB CEILINGS/SOFFITS		COVE LIGHTING LEDALITE: IN-COVE #2808-H02
	RECESSED FLUORESCENT DOWNLIGHT. PRESCOLITE ARCHITEKTUR # SR1010		RELOCATED EXISTING CEILING MOUNTED EXIT
	SUSPENDED FLUORESCENT FIXTURE. EUREKA: SILENE # 4034-SC-WQ-WH (26W)		RELOCATED EXISTING WALL MOUNTED EXIT
	WALL MOUNTED FLUORESCENT FIXTURE. EUREKA: VEGA # 3738-SC-XB-WH (26W)		CEILING HEIGHT ABOVE FINISHED FLOOR
	HALOGEN 6' TRACK LIGHTING FIXTURE. EUREKA: TBD		

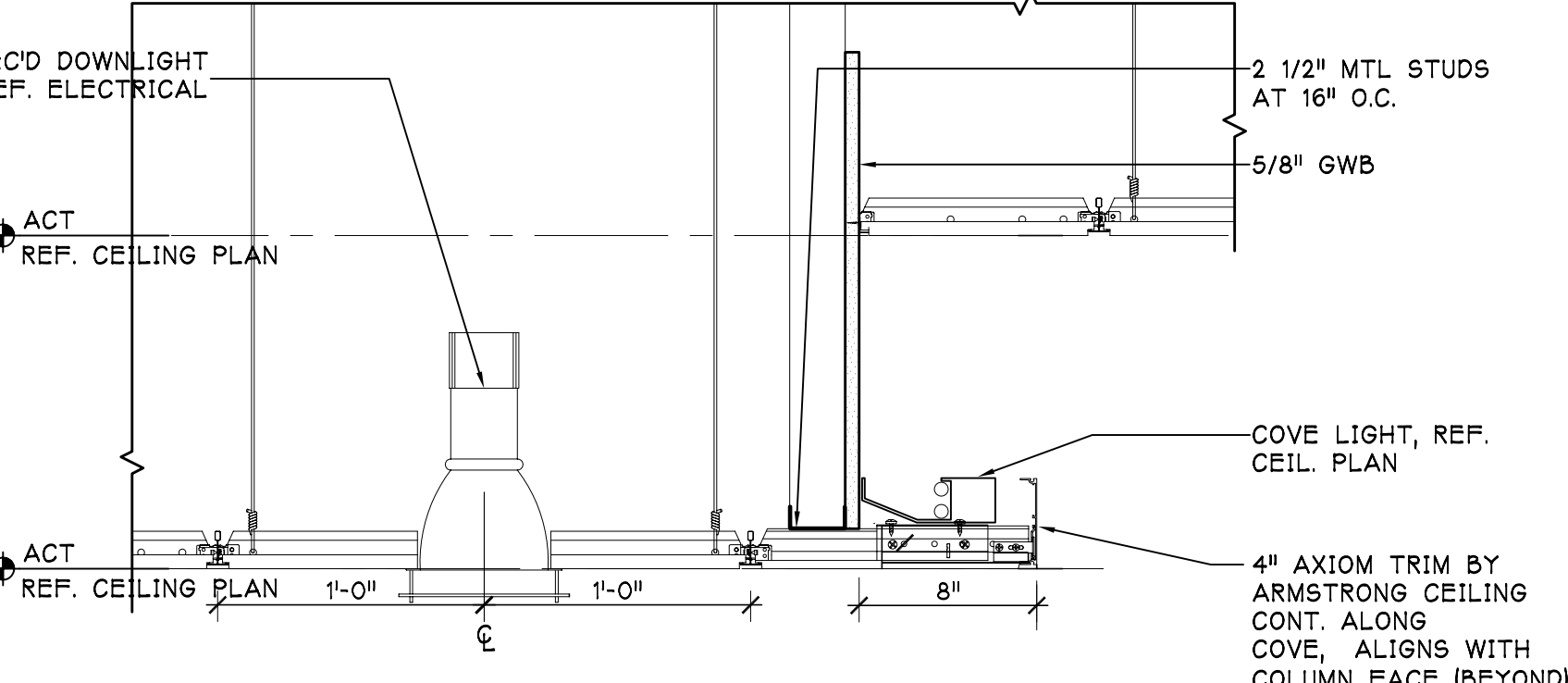
REFLECTED CEILING PLAN



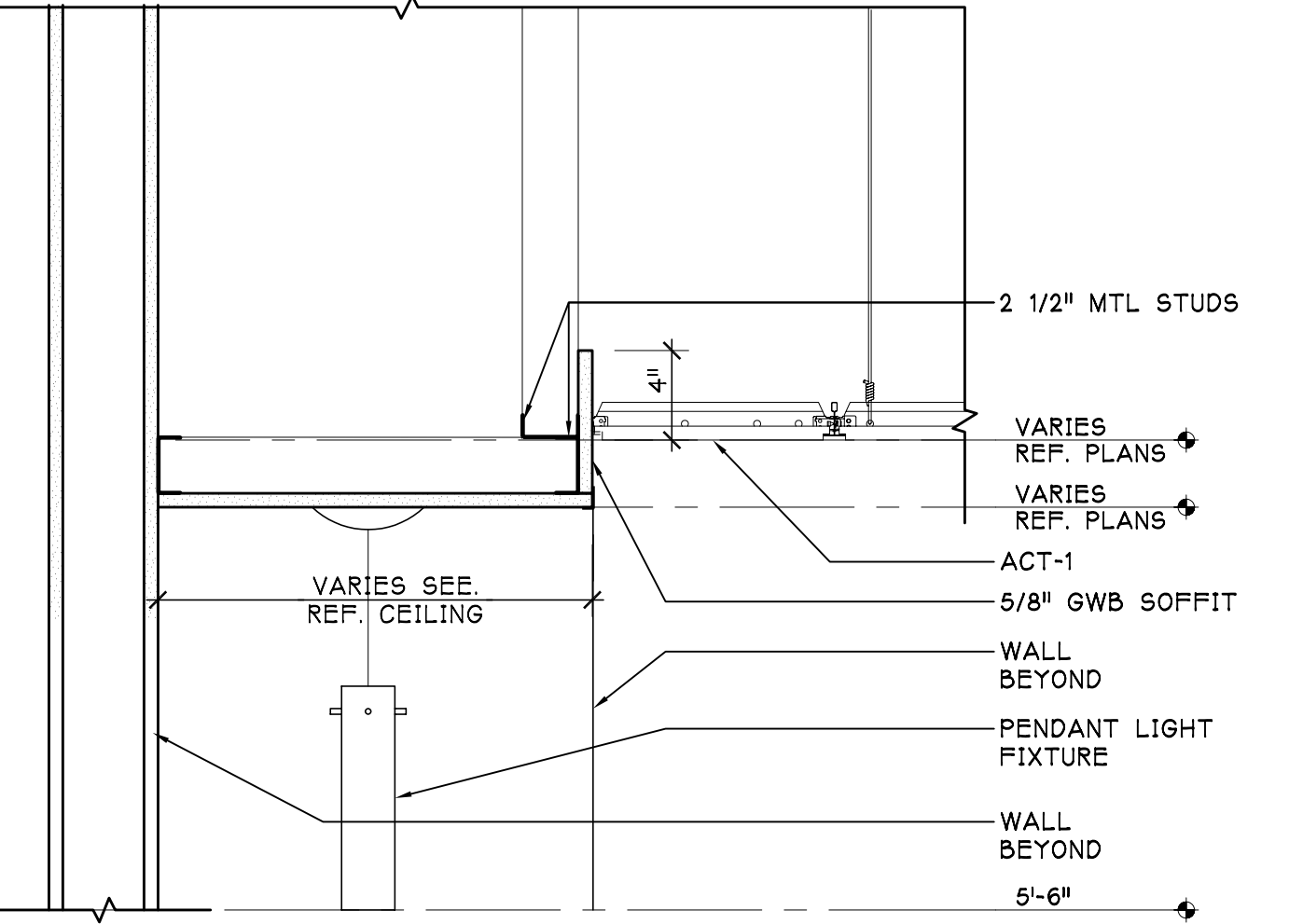
7 CEILING DETAIL
1 1/2" = 1'-0"



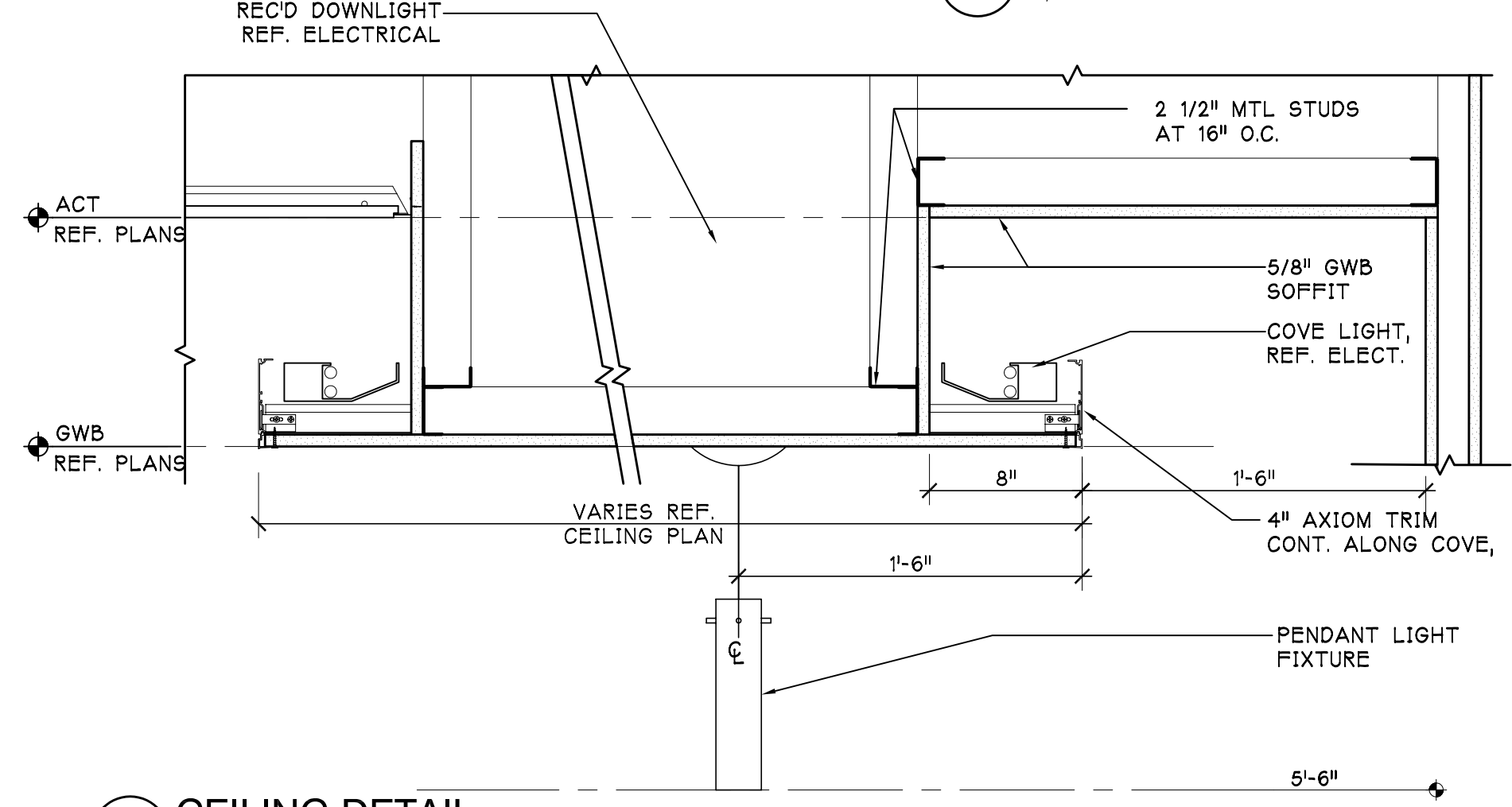
5 CEILING DETAIL
1 1/2" = 1'-0"



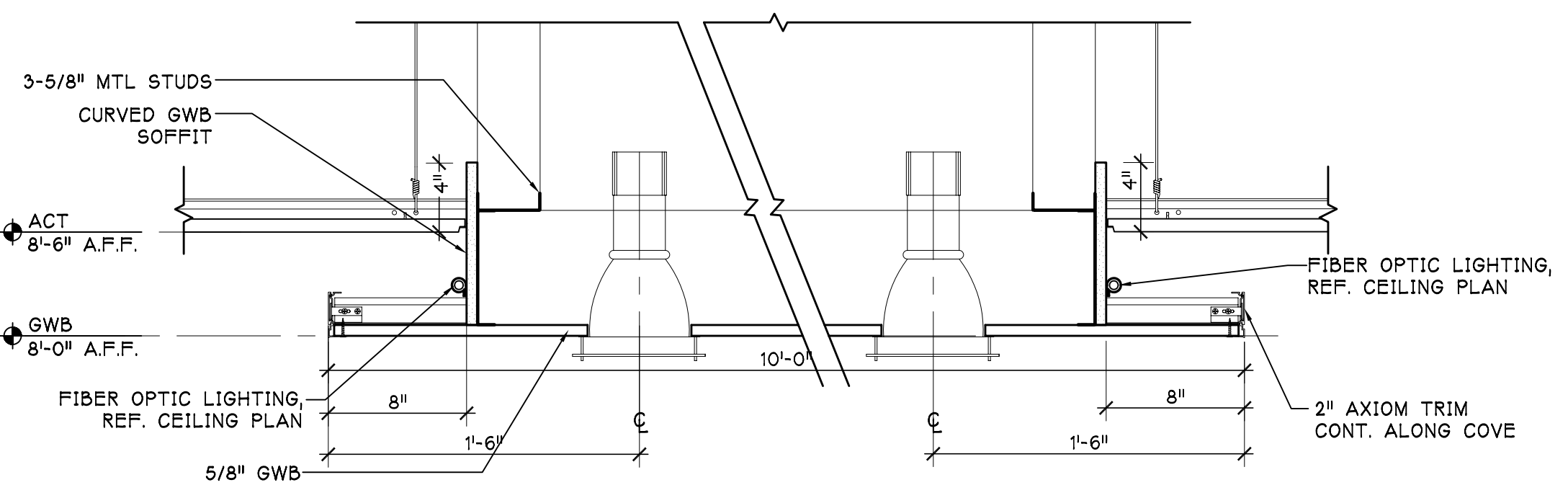
6 CEILING DETAIL
1 1/2" = 1'-0"



4 CEILING DETAIL
1 1/2" = 1'-0"



3 CEILING DETAIL
1 1/2" = 1'-0"



2 CEILING DETAIL
1 1/2" = 1'-0"