

GENERAL NOTES

1. CEILING HEIGHTS ARE 8'-0" A.F.F. UNLESS NOTED OTHERWISE.
2. RE-INSTALL EXISTING CURTAIN TRACKS AT ORIGINAL LOCATIONS.
3. INSTALL NEW CURTAIN TRACK AS INDICATED ON PLANS.
4. ALL EXISTING NIGHT LIGHTS TO REMAIN.
5. ACT SOFFITS ARE TO BE INSTALLED AT ORIGINAL LOCATIONS AS REQUIRED. DELETE SOFFIT IF POSSIBLE.
6. T.V.'S ARE PROVIDED BY OWNER & INSTALLED BY OWNER.
7. PATIENT LIFTS SHALL BE PROVIDED & INSTALLED BY OWNER IN THE FOLLOWING ROOMS: 356, 364, 378, 385, 394 & 397. CONTRACTOR TO COORDINATE WORK WITH CONSTRUCTION PHASING.
8. LIGHT FIXTURES F9F - WALL MOUNTED OVER BED PATIENT HEADWALL LIGHT FIXTURE SHALL BE OWNER PROVIDED & CONTRACTOR INSTALLED.

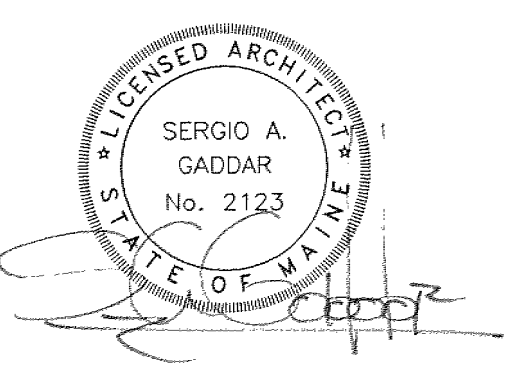
FIXTURE SCHEDULE

F9F	F9F WALL MTD. OVER BED PATIENT HEADWALL OWNER PROVIDED & CONTRACTOR INSTALLED
R8G	R8G CEILING MTD. DOWNLIGHT/WALLWASH
RBF	RBF CEILING MTD. DOWNLIGHT
F5N	F5N CEILING MTD. LOLO/TOILET RMS
RNA	RNA CEILING MTD. DOWNLIGHT
WALL MTD. SHAPER	WALL MTD. SHAPER VANITY LITE
WALL SCONCE	WALL SCONCE
FHA	FHA RECESSED 2X2 DIRECT/IN-DIRECT
F3D	F3D RECESSED 2X4
—	UNDER COUNTER LIGHT
NC	CEILING MTD. NURSE CALL LIGHT
WALL MTD. FLAT SCREEN TV	WALL MTD. FLAT SCREEN TV/ OWNER PROVIDED & OWNER INSTALLED
NEW CURTAIN TRACK	NEW CURTAIN TRACK CONTRACTOR PROVIDED & CONTRACTOR INSTALLED
EXISTING CURTAIN TRACK	EXISTING CURTAIN TRACK RE-INSTALLED AT ORIGINAL LOCATIONS OWNER PROVIDED & CONTRACTOR INSTALLED
RECESSED WALL WASHER	RECESSED WALL WASHER AT DECORATIVE RESIN PANELS



Renovations to
Pavillion C-D 3rd Floor
A.C.E. Unit

Maine Medical Center
22 Bramhall Street
Portland, ME 04102



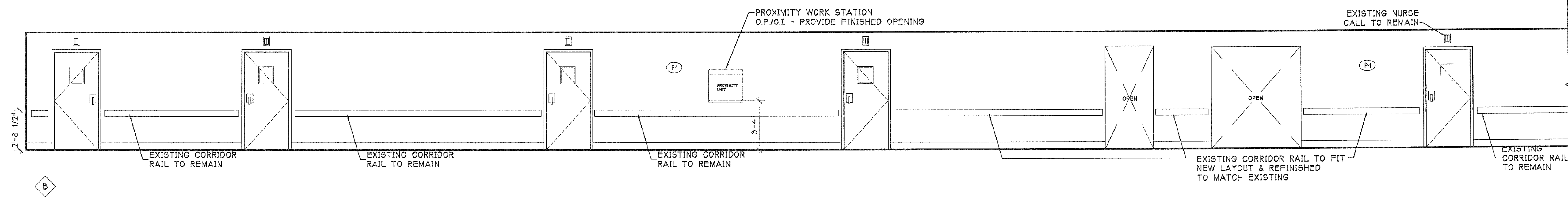
MMC Project No. 26006
Scale: 1/8" = 1'-0"
Project Number: 04-P174
Date: 12/11/06
Revisions:

PERMIT SET

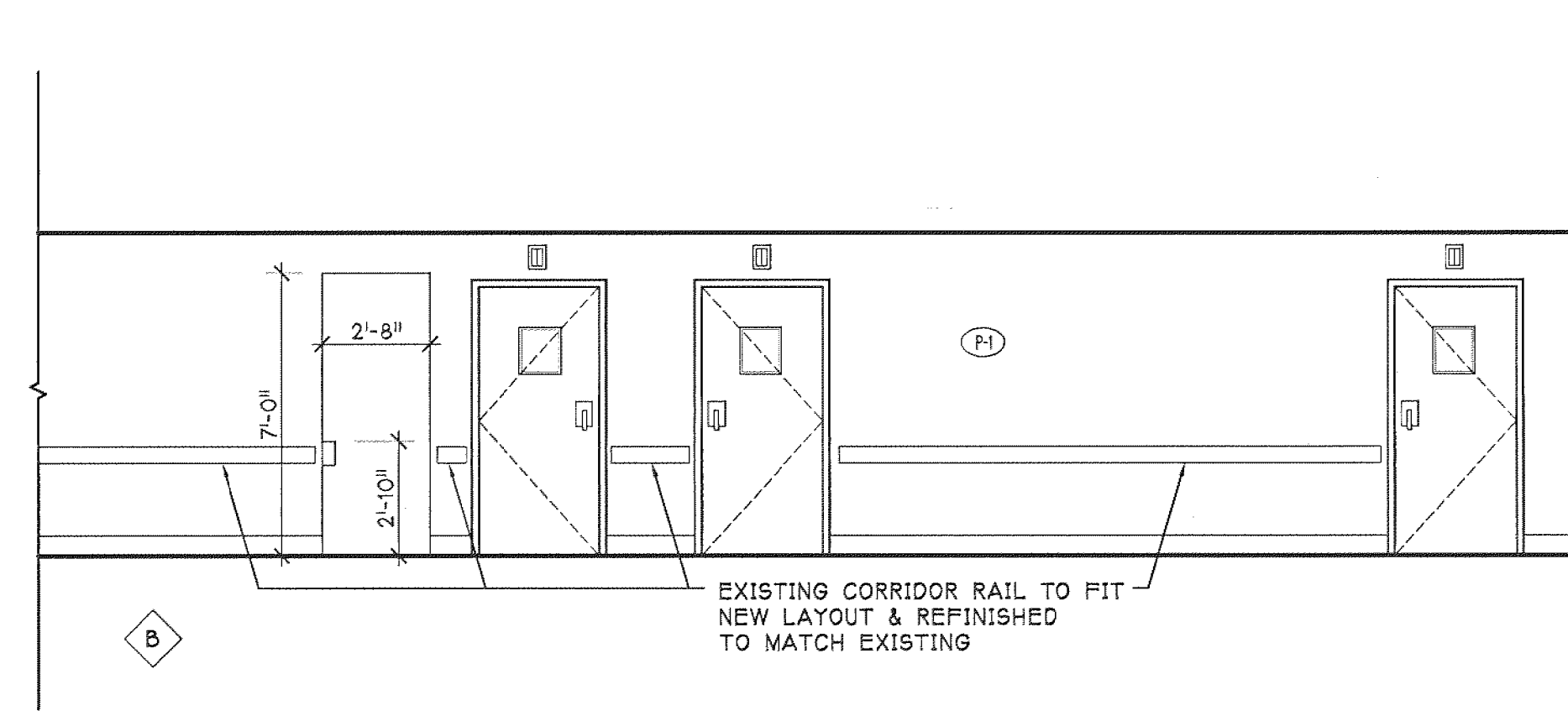
A1.21

REFLECTED CEILING PLAN

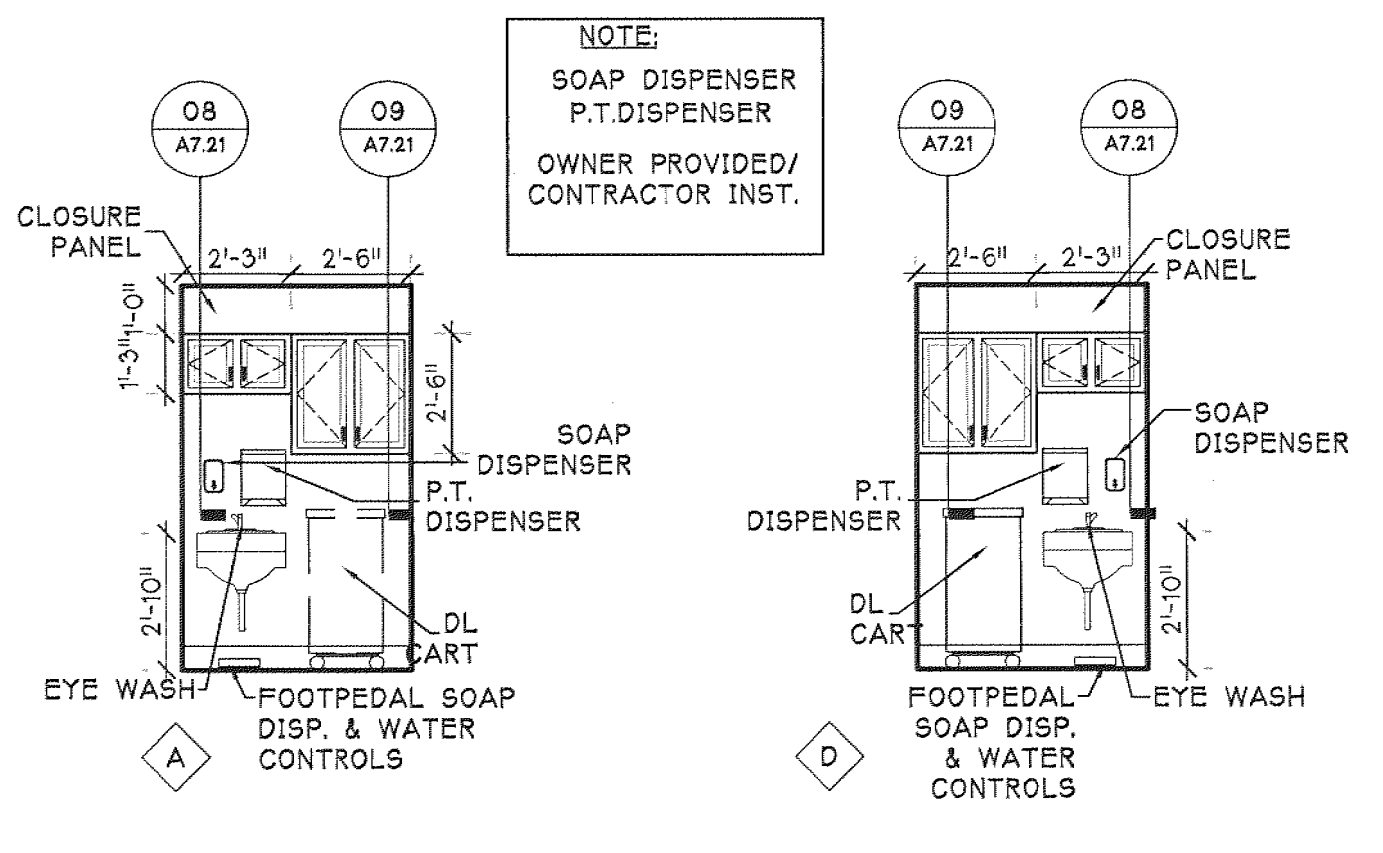
F:\New\PRC\1717A\1-Show\4-Construction Documents\1717-02-A121.dwg Dec 13, 2006 - 3:59pm



01 CORRIDOR PC301
1/4" = 1'-0"

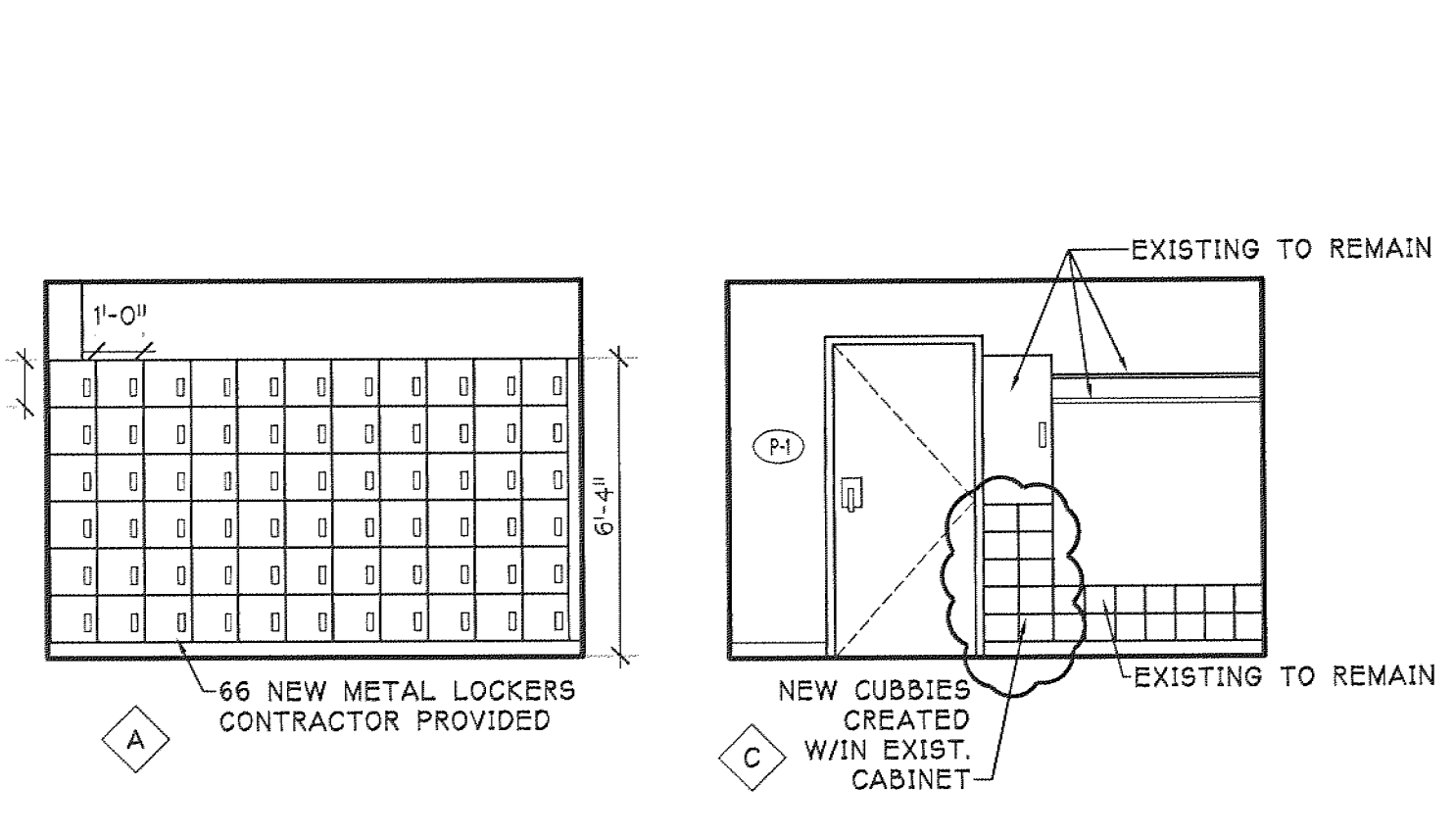


01 CORRIDOR PC301 (CONT)
1/4" = 1'-0"



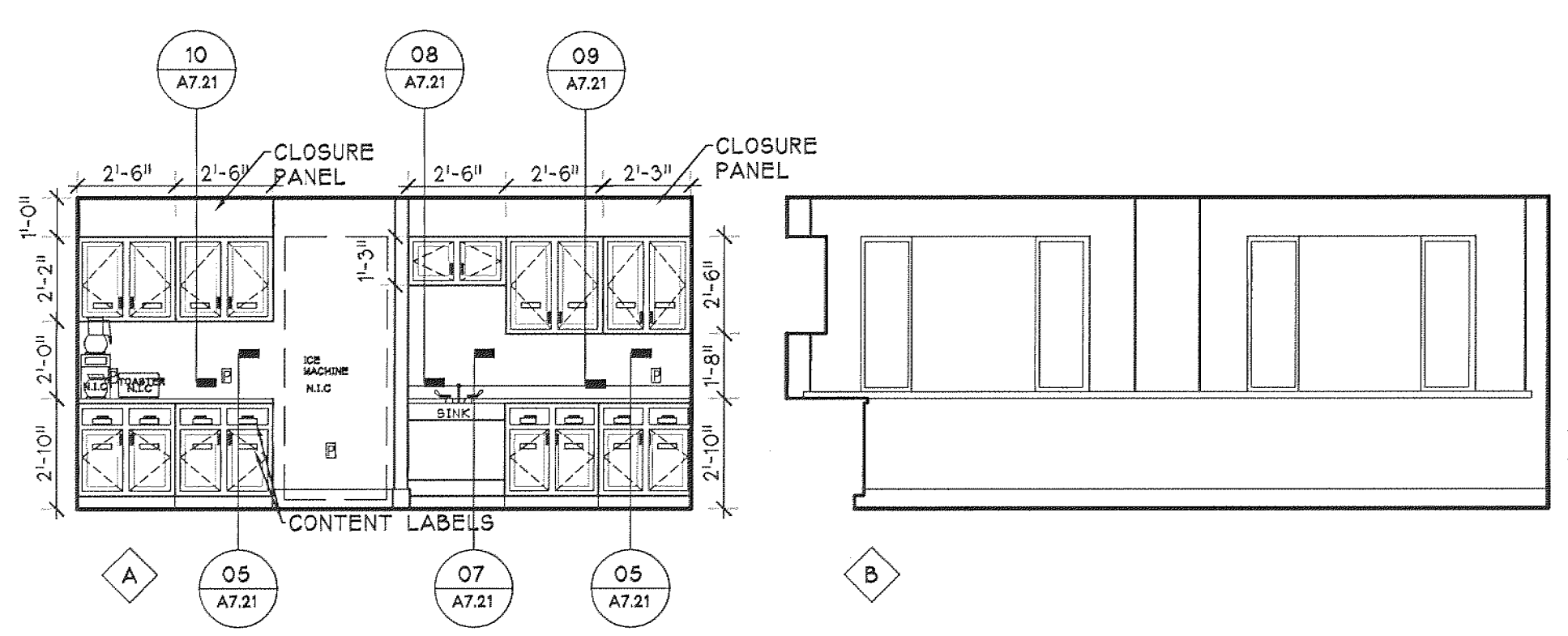
02 HAND WASH ALCOVE
1/4" = 1'-0"

03 HAND WASH ALCOVE
1/4" = 1'-0"

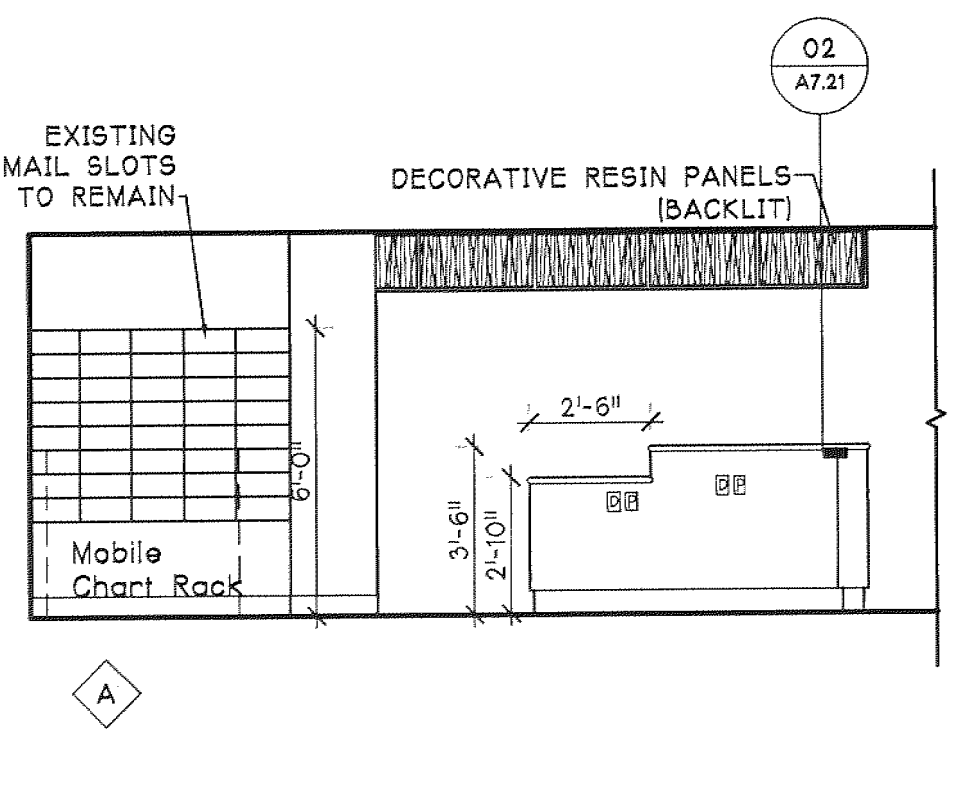
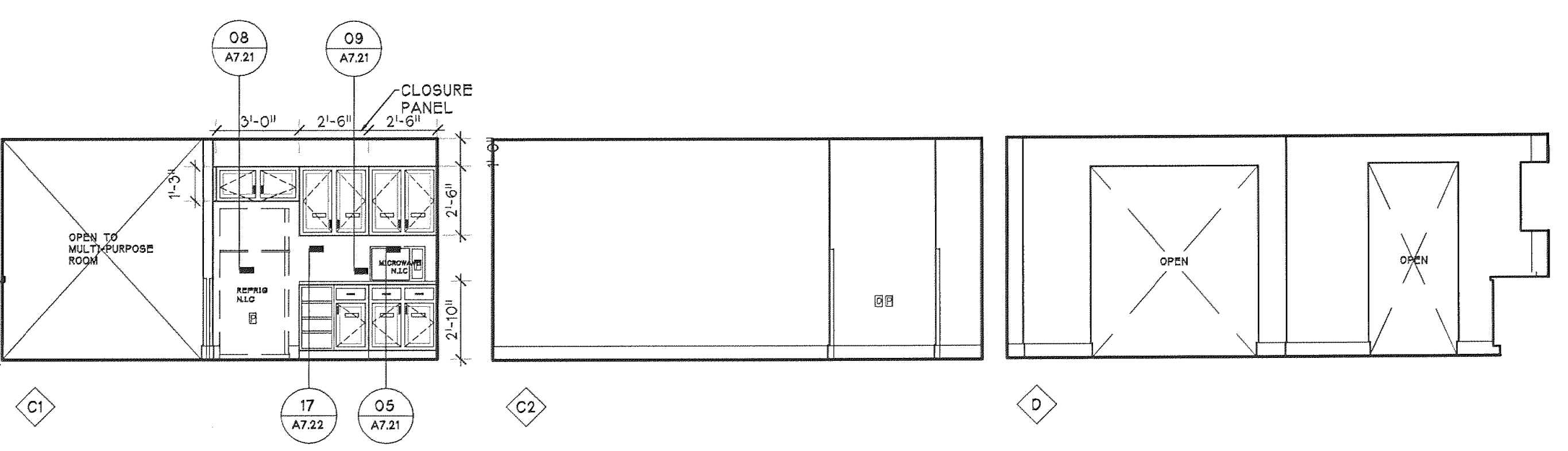


04 STAFF LOCKER ROOM
1/4" = 1'-0"

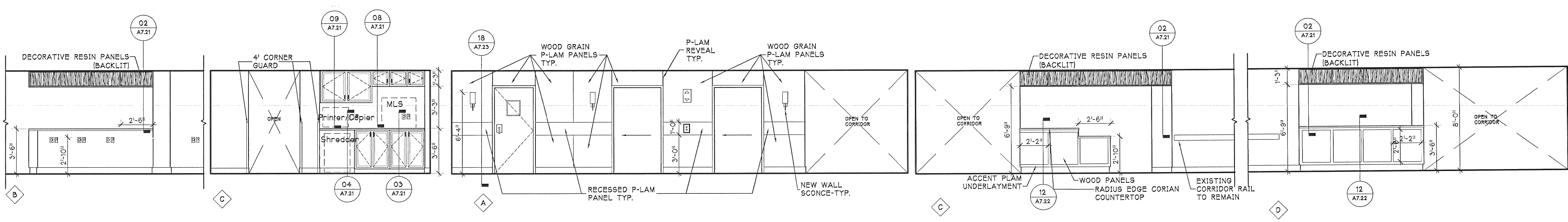
05 NURSING ALCOVE
1/4" = 1'-0"



06 MULTI-PURPOSE/NOURISHMENT
1/4" = 1'-0"



07 NURSE STATION
1/4" = 1'-0"



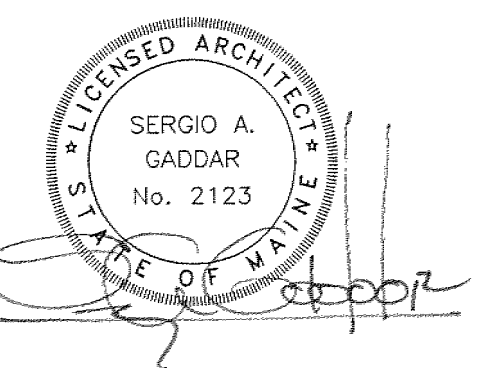
07 NURSE STATION (cont)
1/4" = 1'-0"

08 CORRIDOR PC303
1/4" = 1'-0"

09 CORRIDOR PC302
1/4" = 1'-0"

Renovations to
Pavillion C-D 3rd Floor
A.C.E. Unit

Maine Medical Center
22 Bramhall Street
Portland, ME 04102



MMC Project No. 26006
Scale: 1/4" = 1'-0"
Project Number: 04-P174
Date: 12/11/06
Revisions:

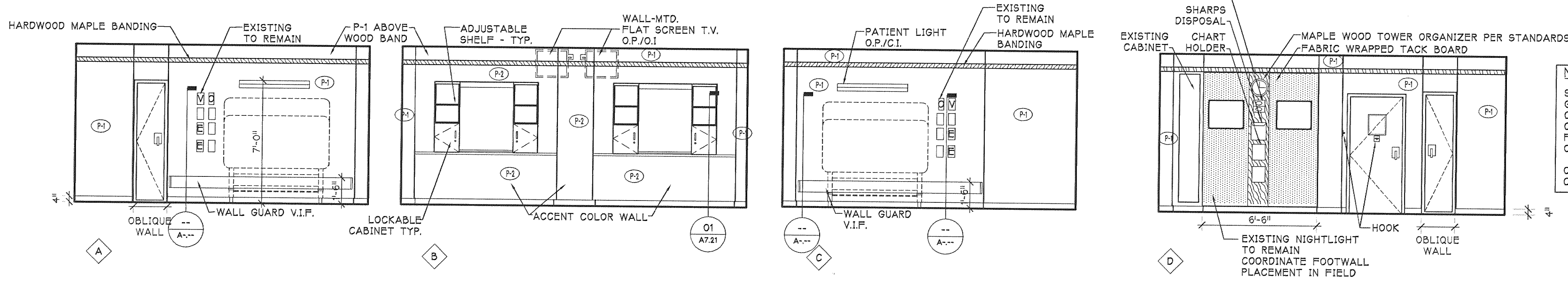
PERMIT SET

A5.01



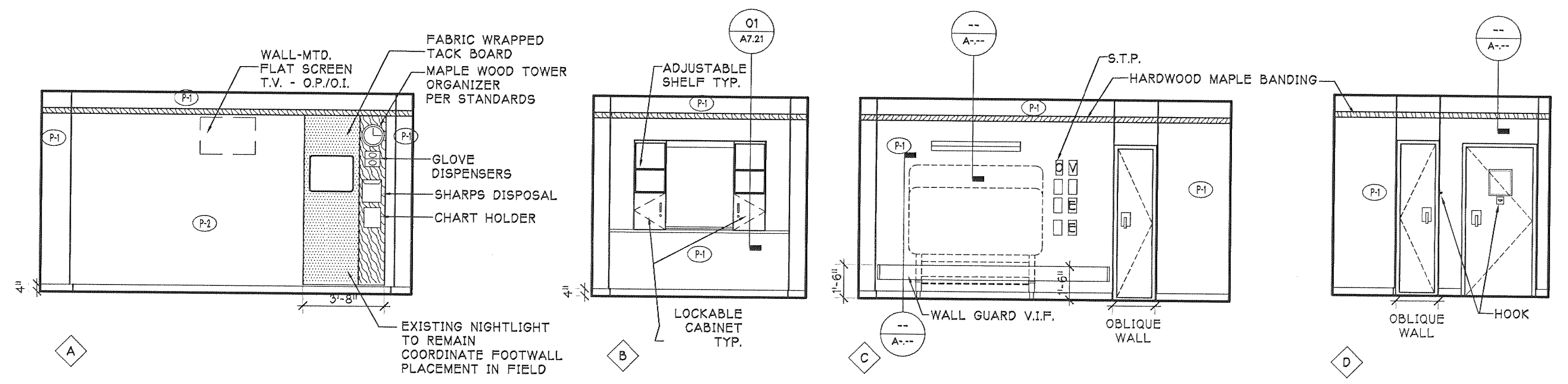
ARCHITECTS
INTERIORS
PLANNERS

55 GREEN STREET
PORTSMOUTH, NH 03801
T 603.436.2551
F 603.436.6973
www.jsainc.com



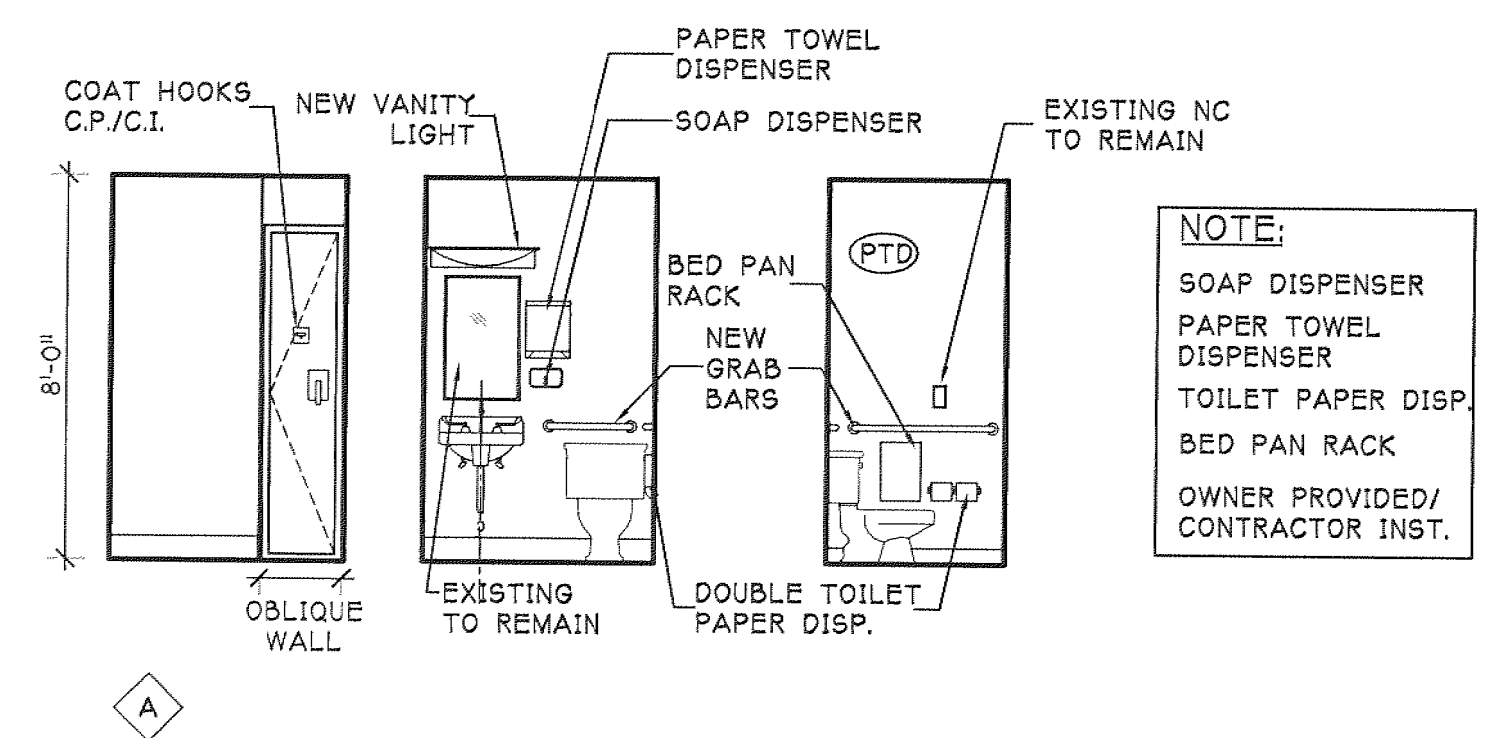
NOTE:
SHARPS CONTAINER
GLOVE BOXES
CLOCK
CHART HOLDER
FLAT SCREEN TV
OVERBED LIGHT
OWNER PROVIDED/
CONTRACTOR INST.

02 DOUBLE PATIENT ROOM
1/4" = 1'-0"



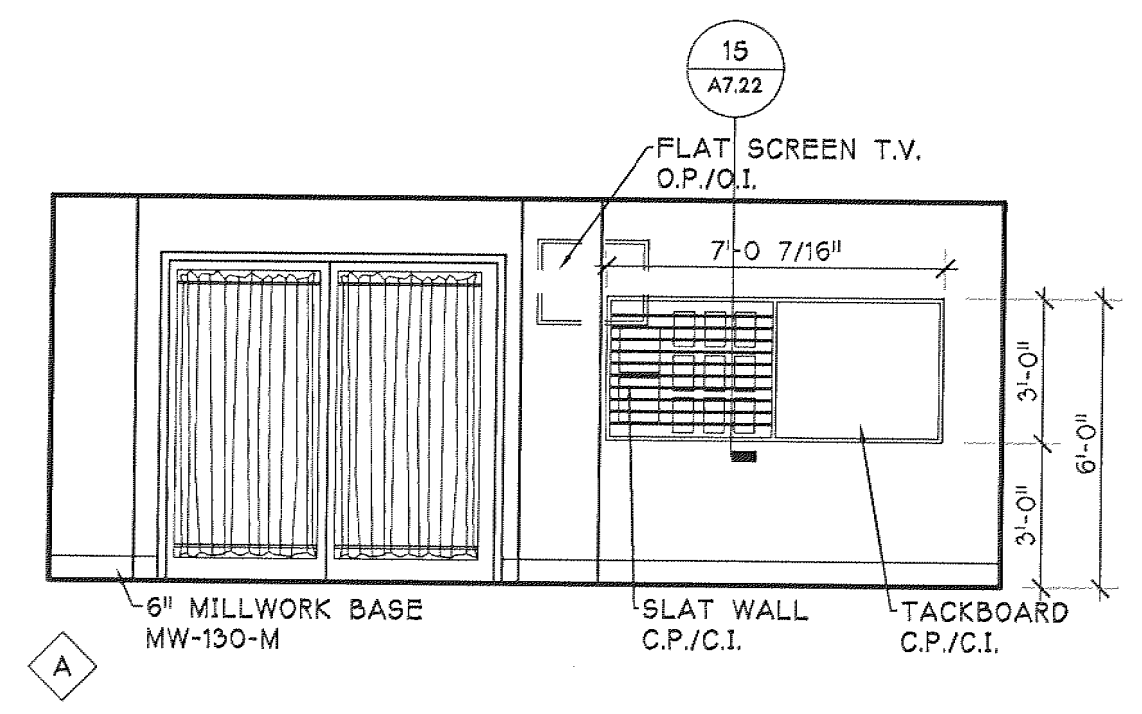
NOTE:
SHARPS CONTAINER
GLOVE BOXES
CLOCK
CHART HOLDER
FLAT SCREEN TV
OVERBED LIGHT
OWNER PROVIDED/
CONTRACTOR INST.

03 SINGLE PATIENT ROOM
1/4" = 1'-0"

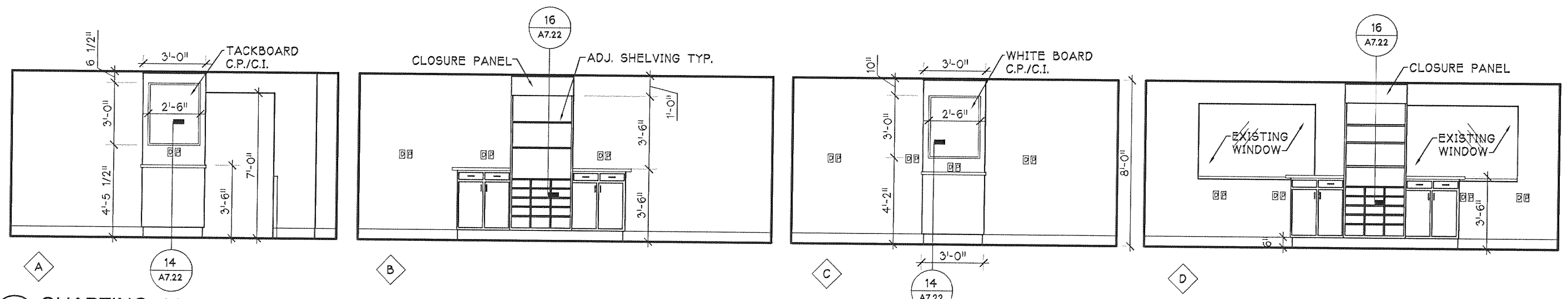


NOTE:
SOAP DISPENSER
PAPER TOWEL
DISPENSER
TOILET PAPER DISP.
BED PAN RACK
OWNER PROVIDED/
CONTRACTOR INST.

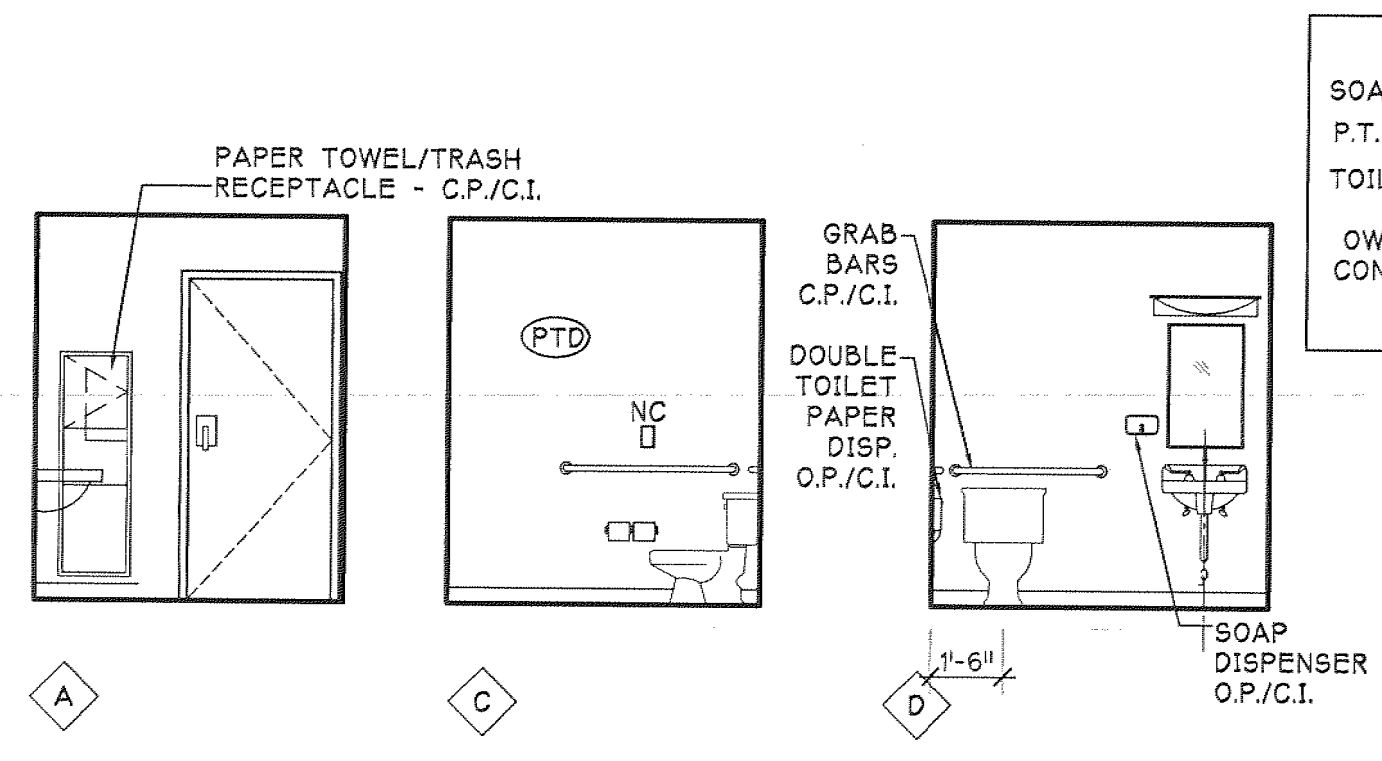
04 TYP. PATIENT TOILET ROOM
1/4" = 1'-0"



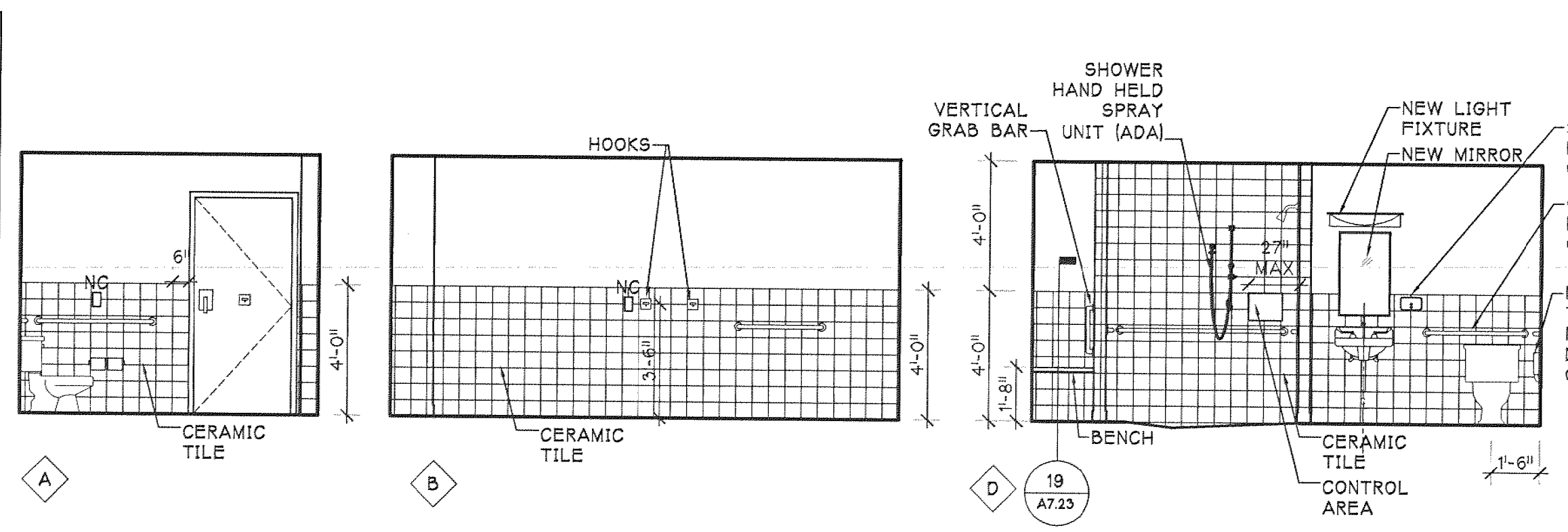
05 FAMILY ROOM, 3328
1/4" = 1'-0"



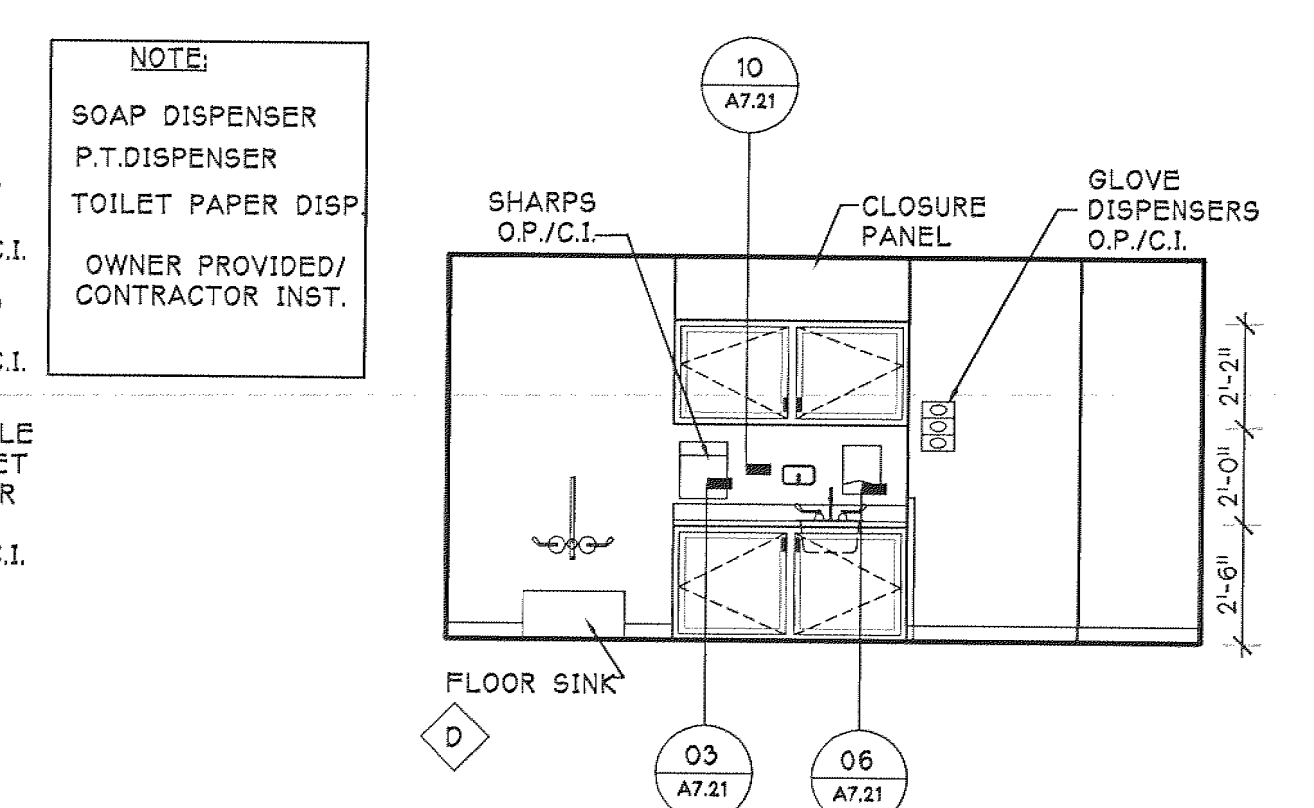
06 CHARTING, 3323
1/4" = 1'-0"



07 HC TOILET
1/4" = 1'-0"



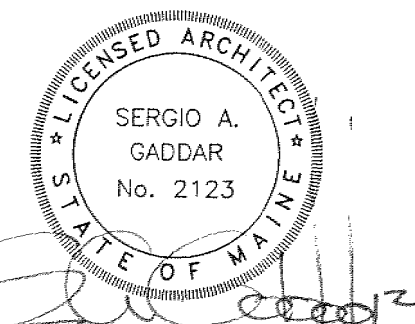
08 SHOWER ROOM 398/ 399 OPP. HAND
1/4" = 1'-0"



09 SOILED UTILITY
1/4" = 1'-0"

Renovations to
Pavillion C-D 3rd Floor
A.C.E. Unit

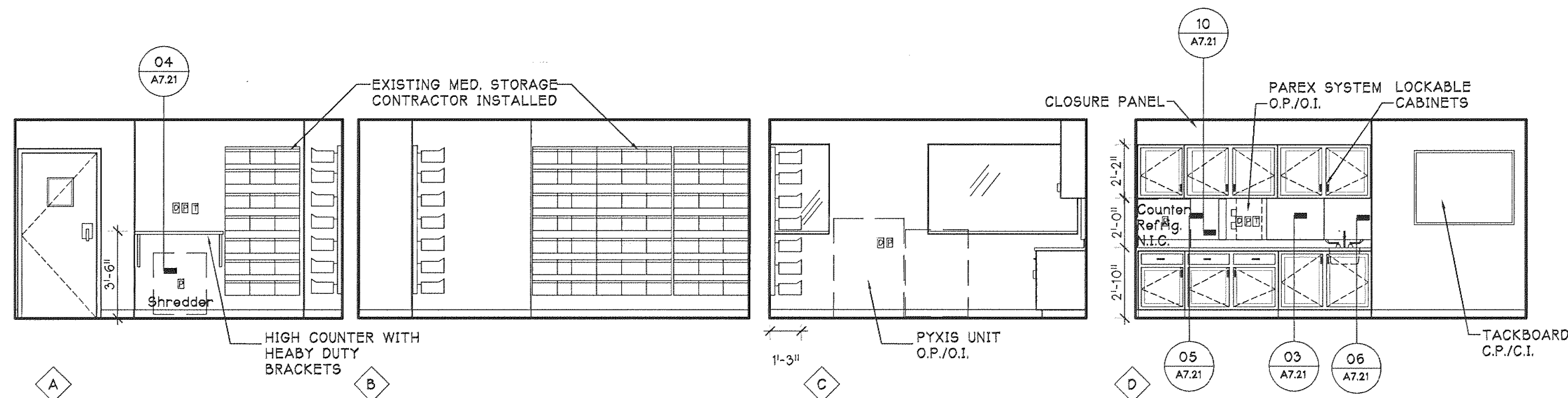
Maine Medical Center
22 Bramhall Street
Portland, ME 04102



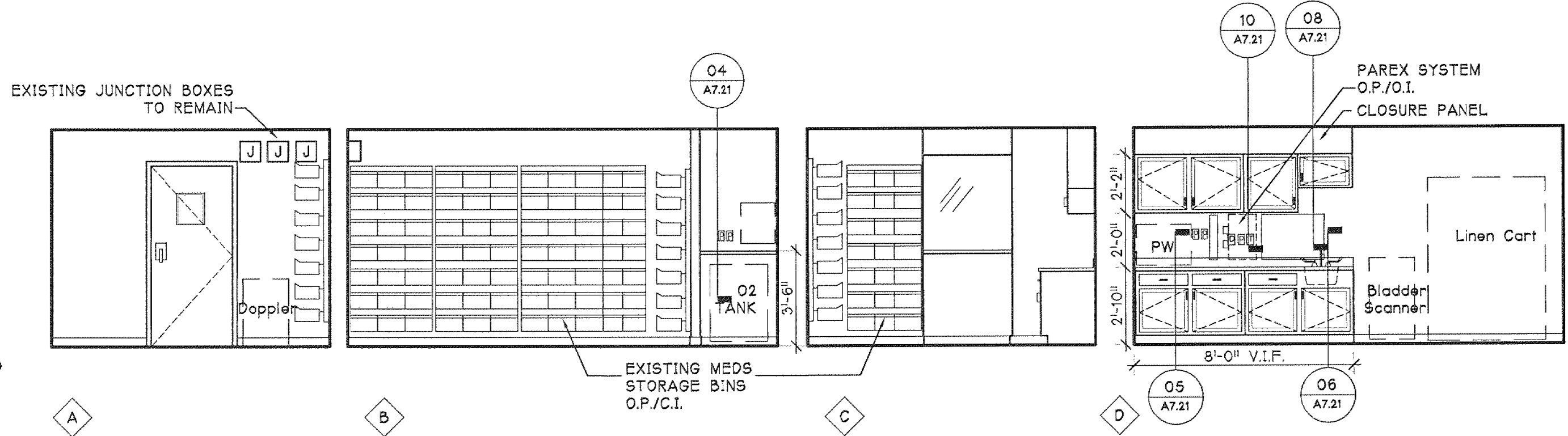
MMC Project No. 26006
Scale: 1/4" = 1'-0"
Project Number: 04-P174
Date: 12/11/06
Revisions:

PERMIT SET

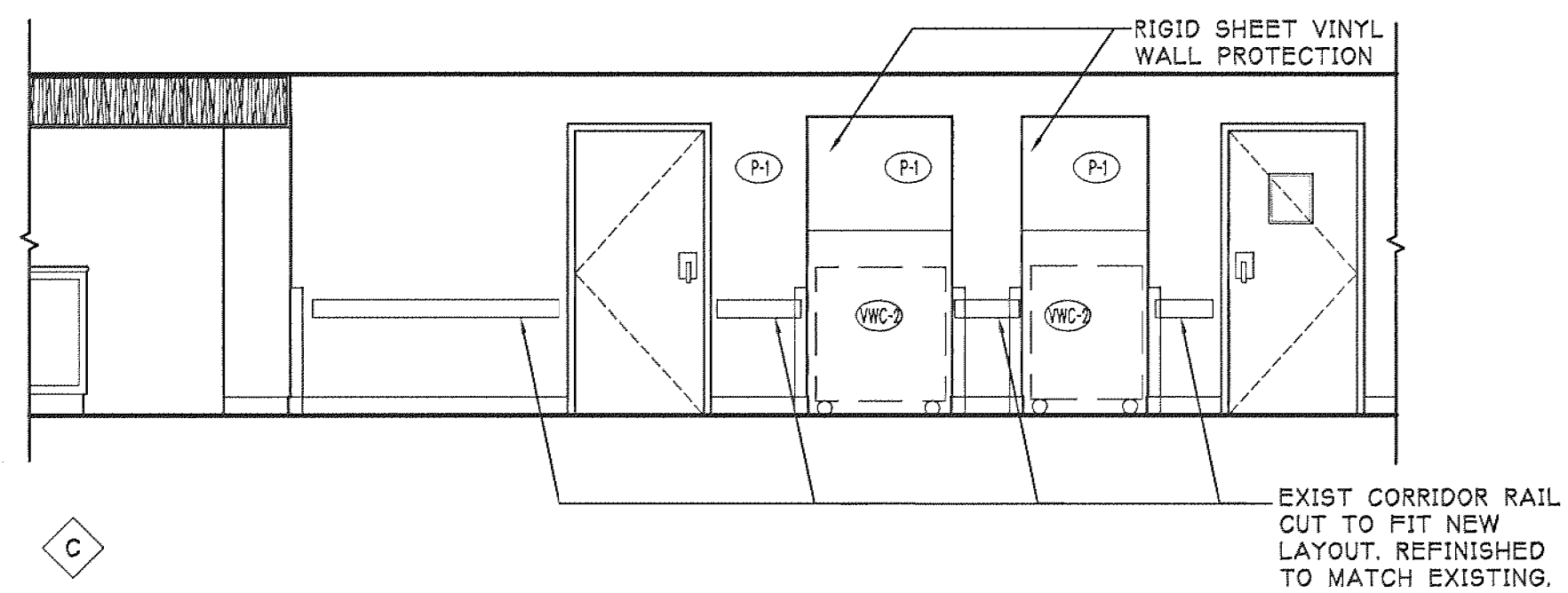
F:\Acad\PROJ\174\174-1-Construction Documents\174-03-A502.dwg Doc 13, 2006 - 3:57pm



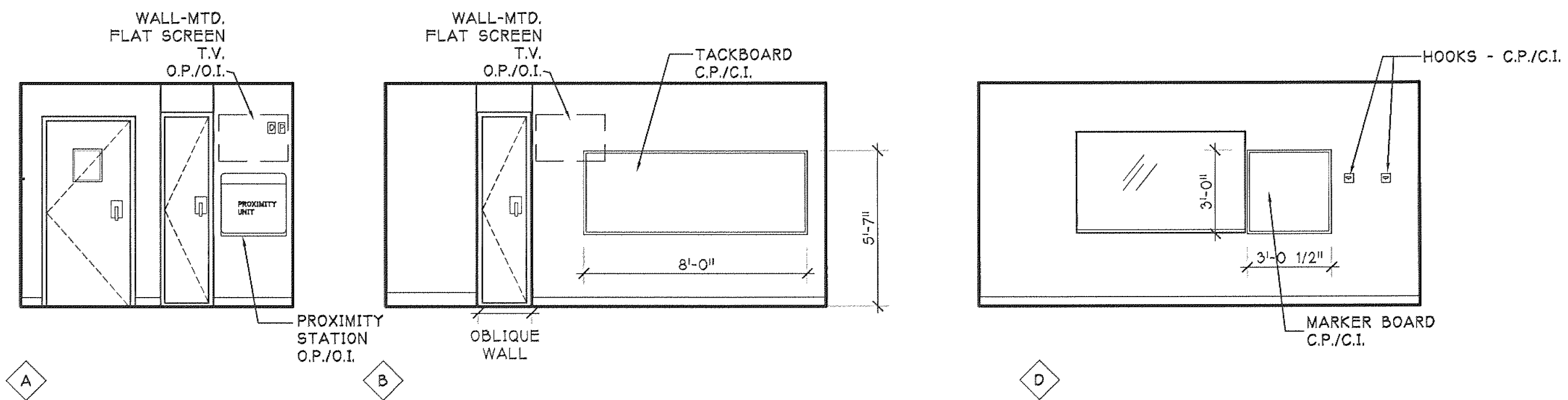
01 MED. ROOM, 3402
1/4" = 1'-0"



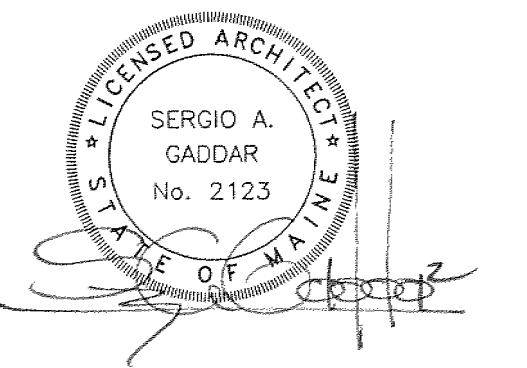
02 CLEAN UTILITY, 3406
1/4" = 1'-0"



03 EQUIPMENT ALCOVE, 3403
1/4" = 1'-0"

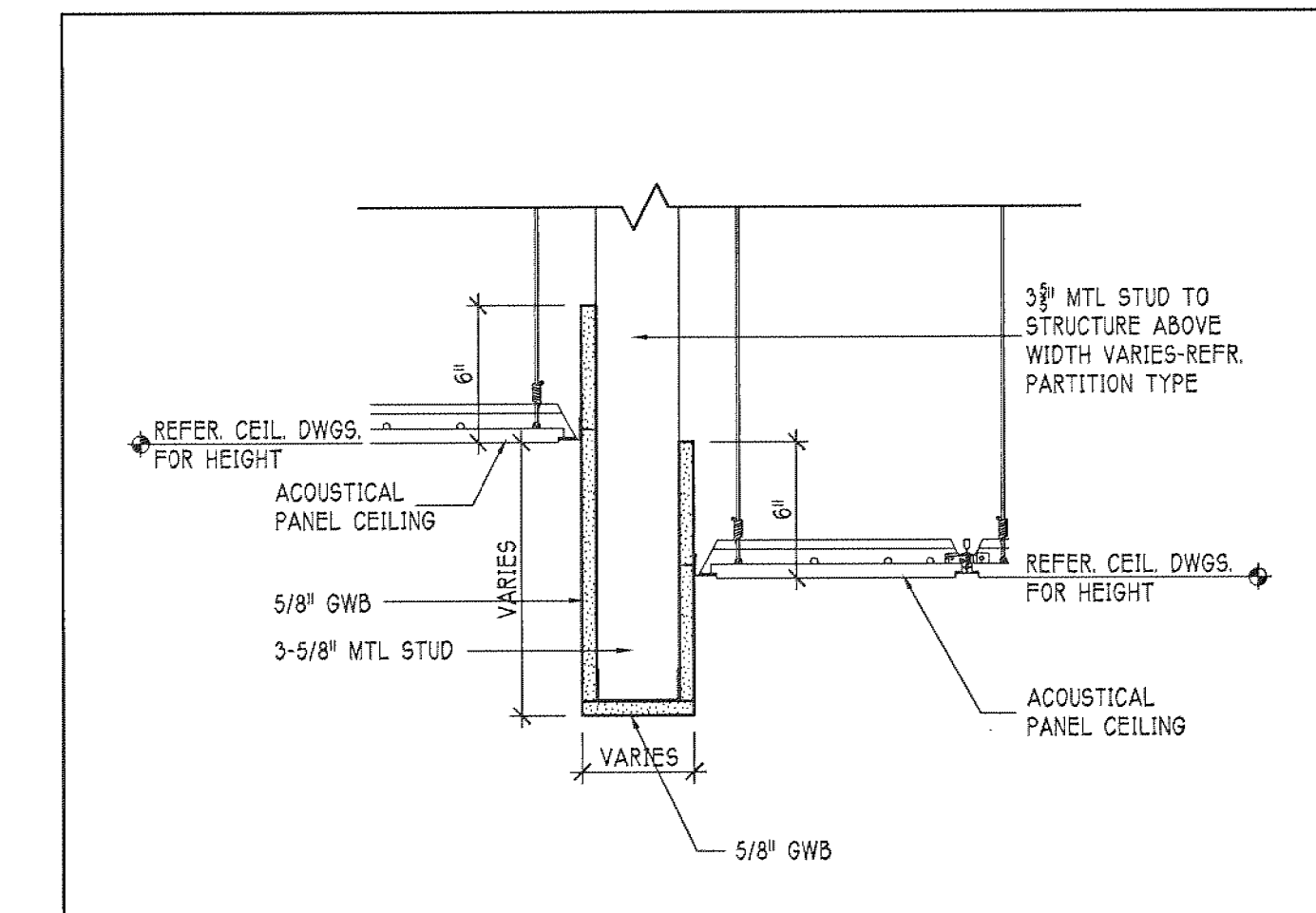


04 CONFERENCE ROOM
1/4" = 1'-0"

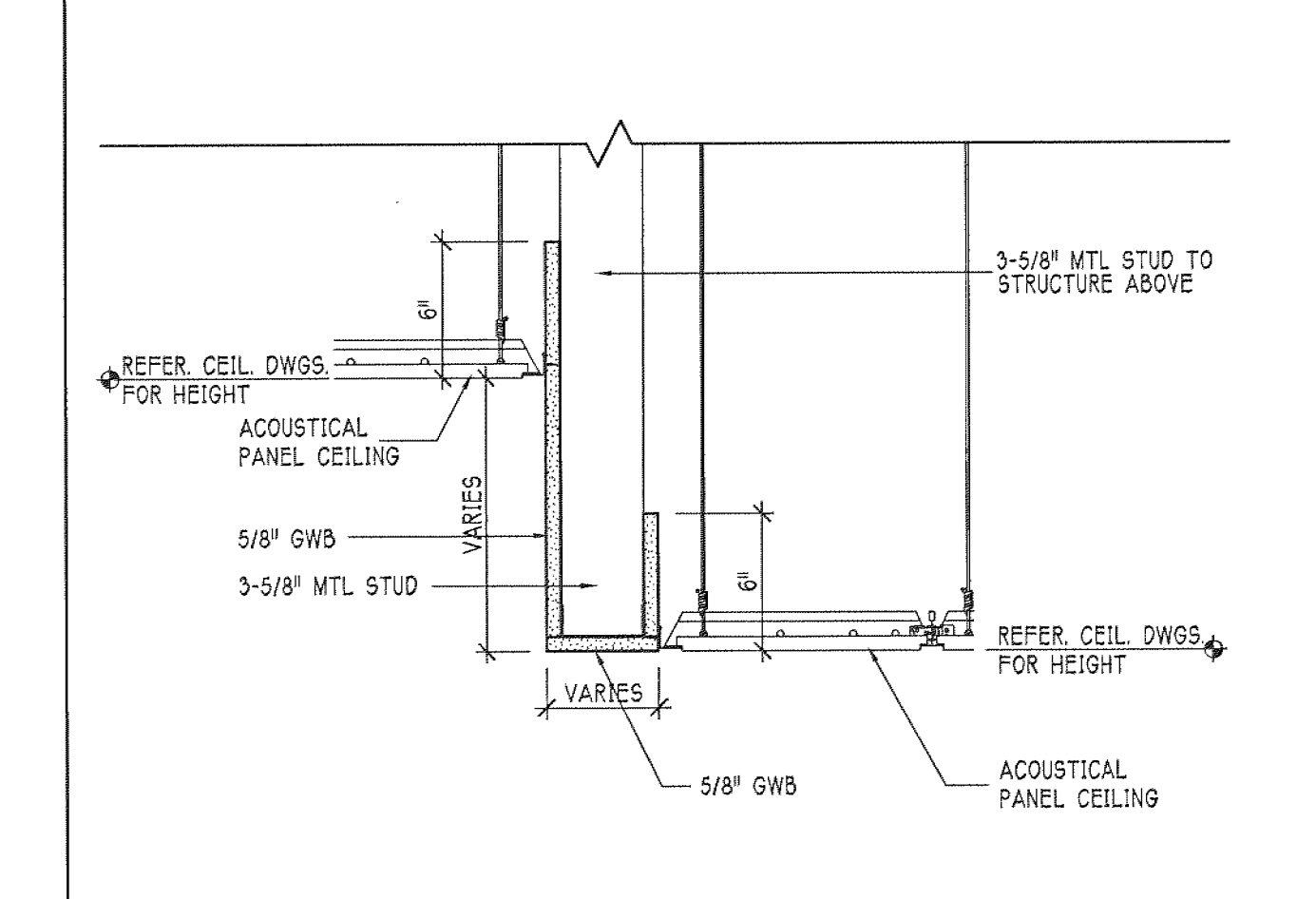


MMC Project No. 26006
Scale: 1/4" = 1'-0"
Project Number: 04-P174
Date: 12/11/06
Revisions:

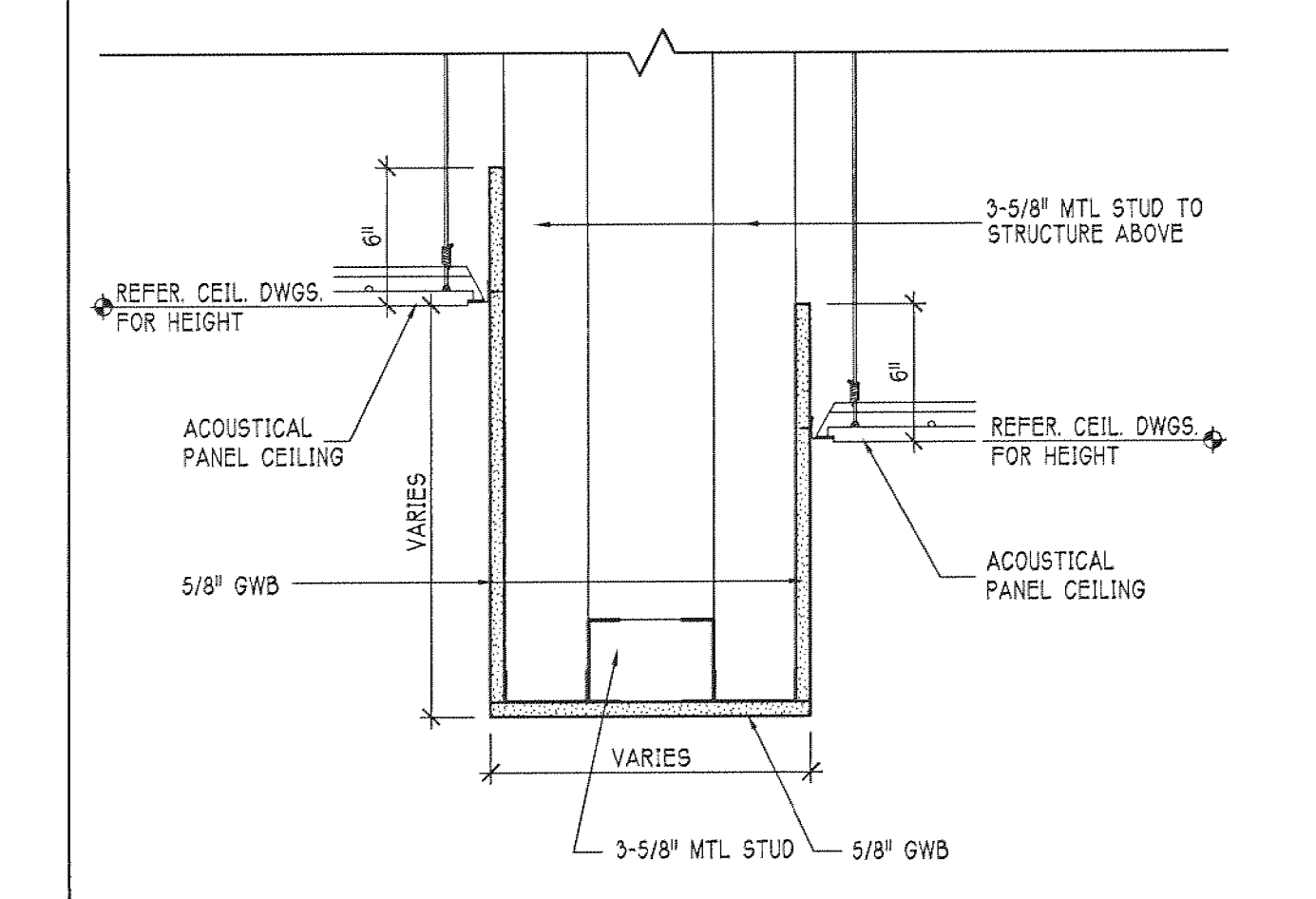
F:\Acad\PROJ\174\1e-Sheet\4-Construction Documents\174-05-F711.dwg Dec 13, 2008 - 3:56pm



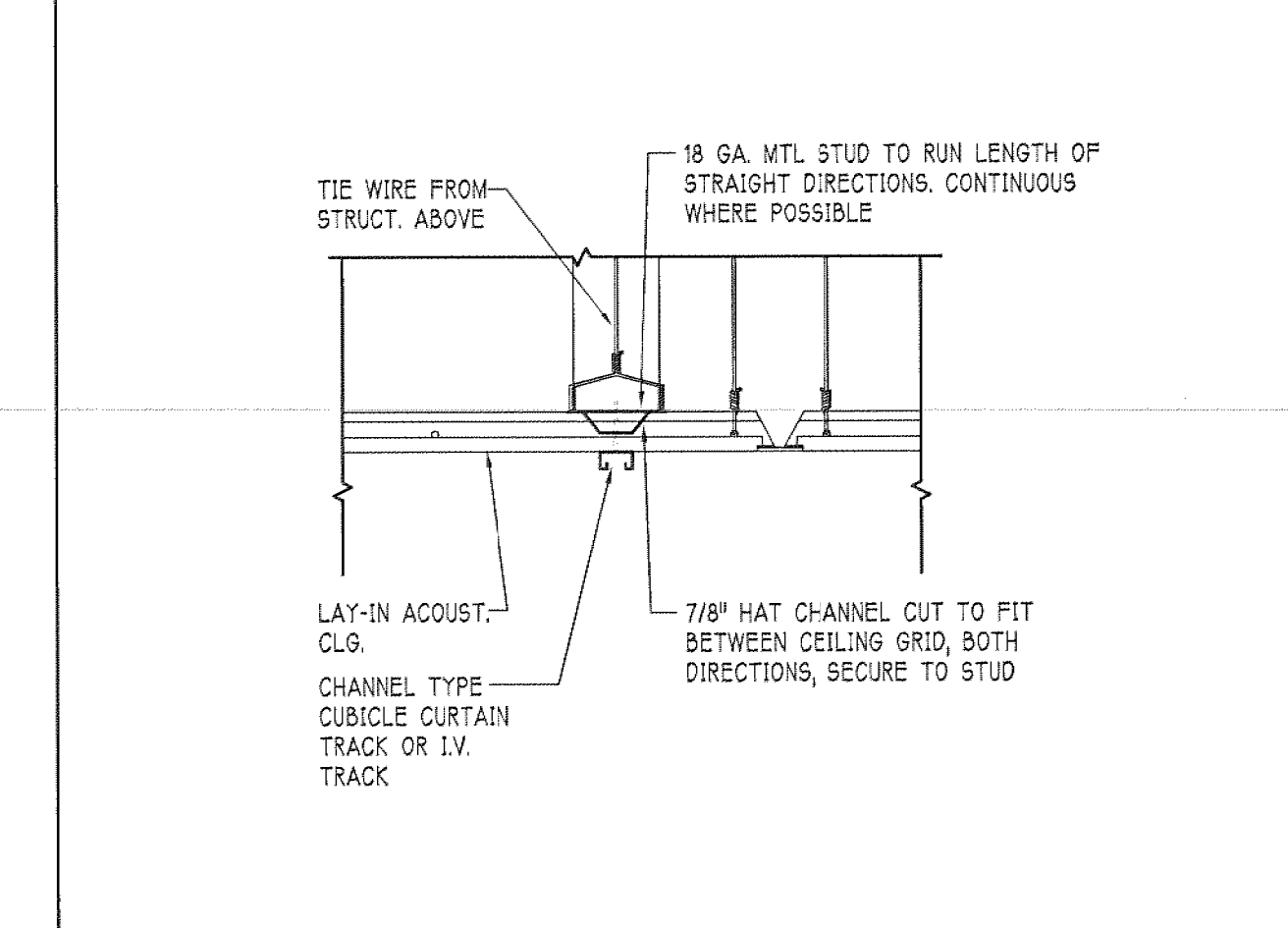
04 CEILING DETAIL
1 1/2" = 1'-0" F:\Acad\PROJ\174\0-Base\4-Detail\10-Ceiling\10-Ceiling-P218-CLNG--



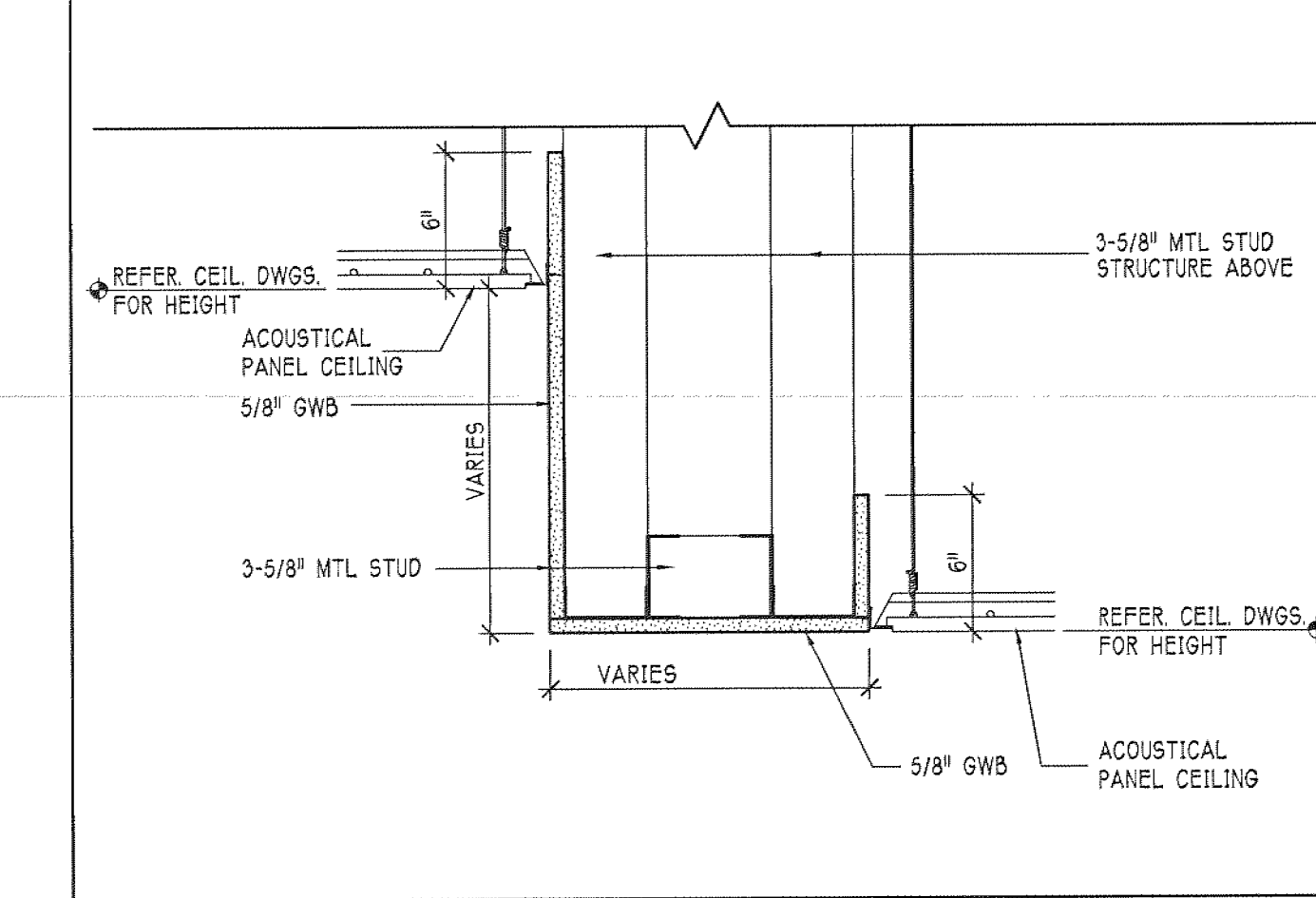
03 CEILING DETAIL
1 1/2" = 1'-0" F:\Acad\PROJ\174\0-Base\4-Detail\10-Ceiling\10-Ceiling-P218-CLNG--



02 CEILING DETAIL
1 1/2" = 1'-0" F:\Acad\PROJ\174\0-Base\4-Detail\10-Ceiling\10-Ceiling-P218-CLNG--

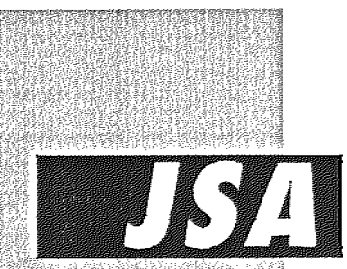


05 CEILING DETAIL
1 1/2" = 1'-0" F:\Acad\PROJ\174\0-Base\4-Detail\10-Ceiling\10-Ceiling-P218A-CingDU-01



01 CEILING DETAIL
1 1/2" = 1'-0" F:\Acad\PROJ\174\0-Base\4-Detail\10-Ceiling\10-Ceiling-P218A-CingDU-01

PLAN AND CEILING DETAILS

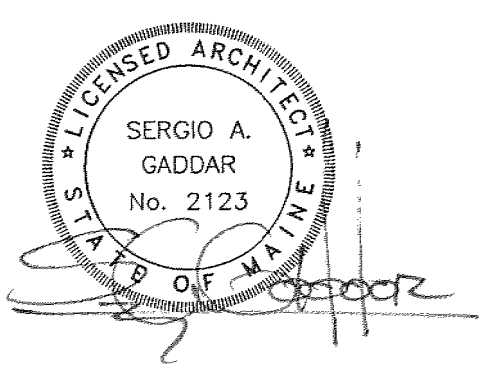


ARCHITECTS
INTERIORS
PLANNERS

55 GREEN STREET
PORTSMOUTH, NH 03801
T 603.436.2551
F 603.436.6973
www.jsainc.com

Renovations to
Pavillion C-D 3rd Floor
A.C.E. Unit

Maine Medical Center
22 Bramhall Street
Portland, ME 04102



MMC Project No. 26006
Scale: AS NOTED
Project Number: 04-P174
Date: 12/11/06
Revisions:

PERMIT SET

A7.11

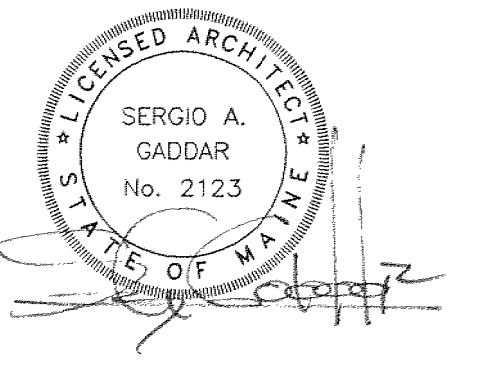


ARCHITECTS
INTERIORS
PLANNERS

55 GREEN STREET
PORTSMOUTH, NH 03801
T 603.436.2551
F 603.436.6973
www.jsainc.com

Renovations to
Pavilion C-D 3rd Floor
A.C.E. Unit

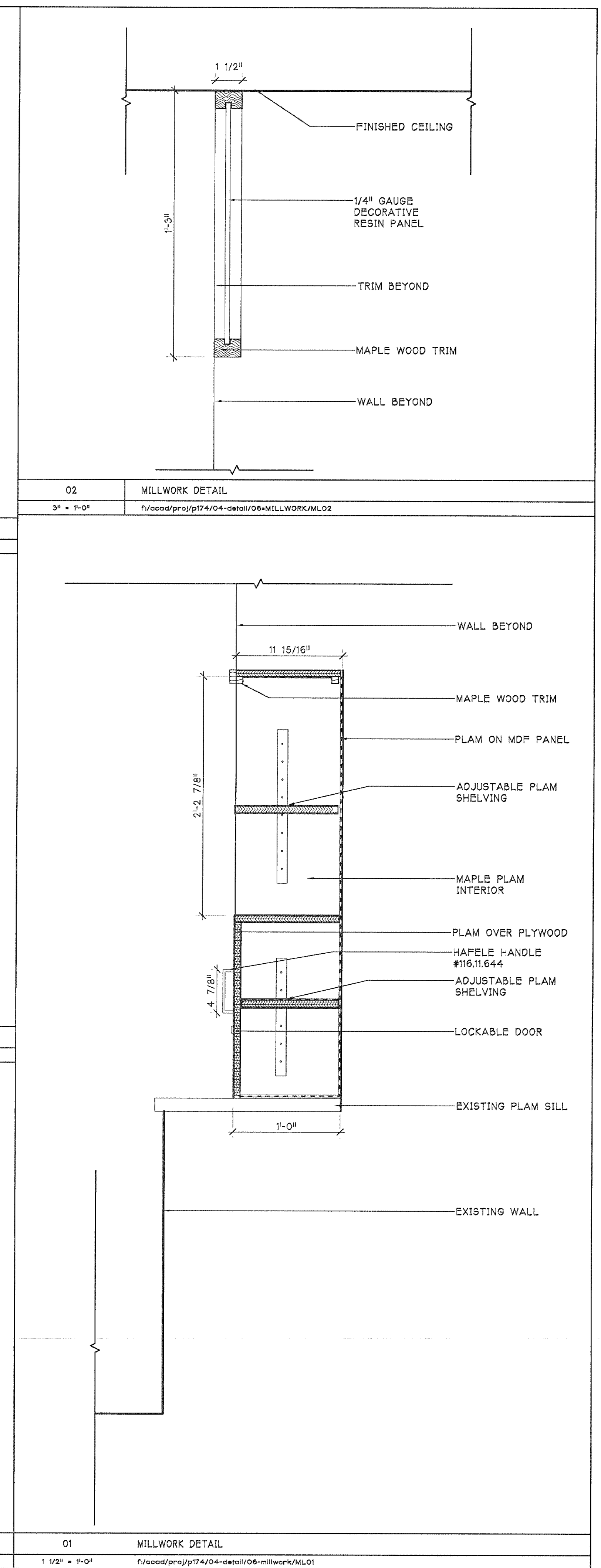
Maine Medical Center
22 Bramhall Street
Portland, ME 04102



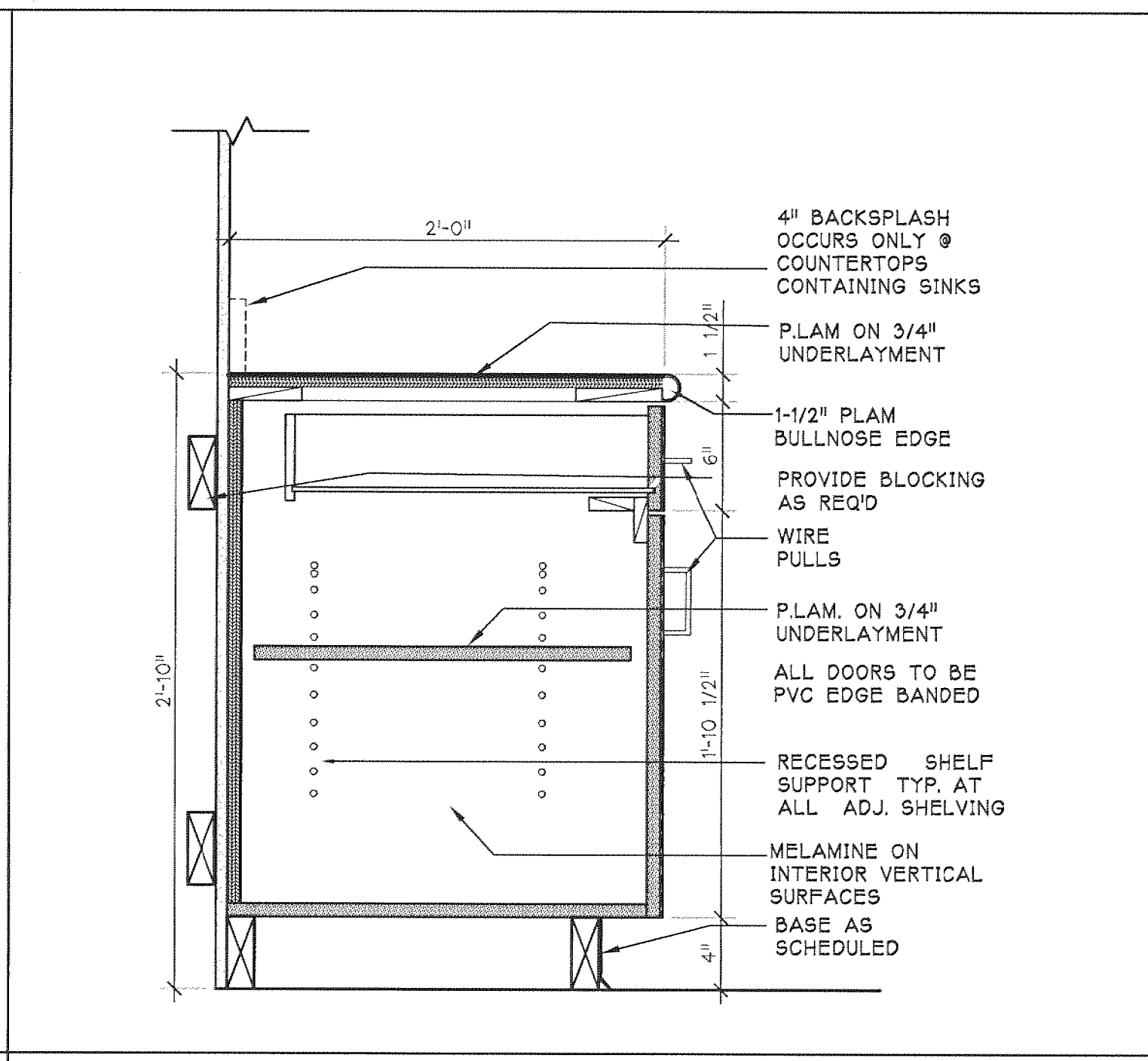
MMC Project No. 26006
Scale: 1 1/2" = 1'-0"
Project Number: 04-P174
Date: 12/11/06
Revisions:

PERMIT SET

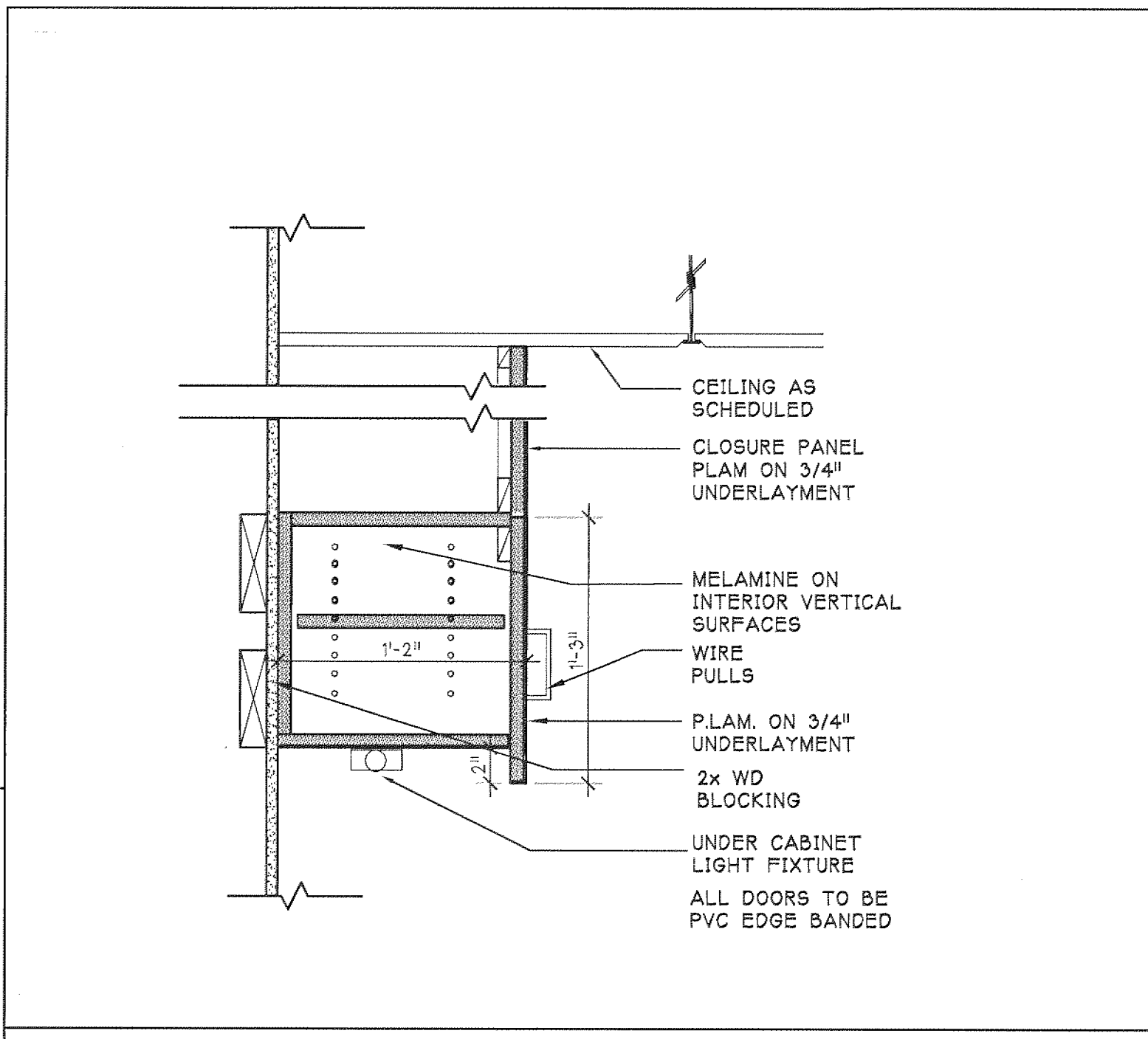
A7.21



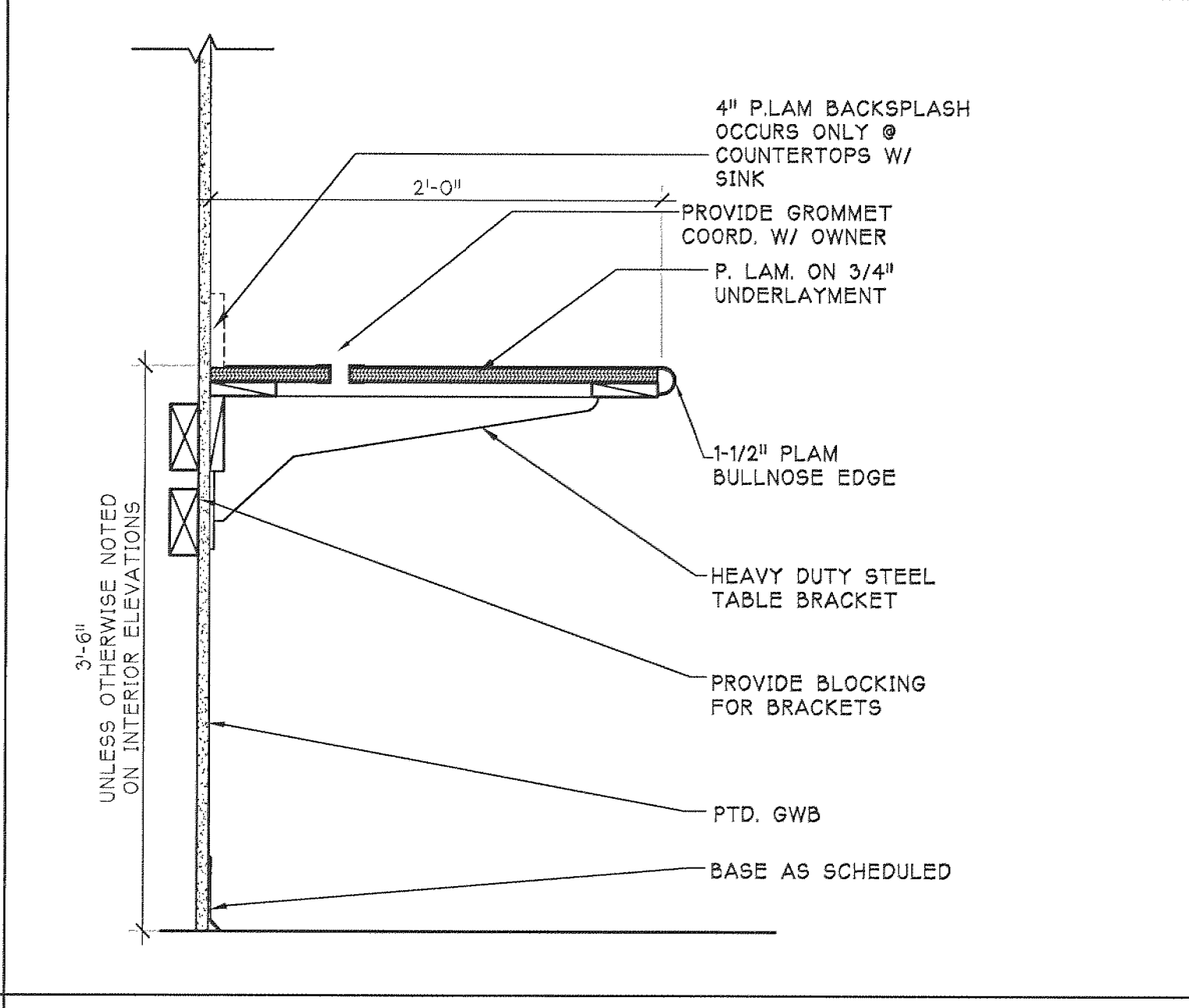
02 MILLWORK DETAIL
1 1/2" = 1'-0" f:\acad\proj\p174\04-detail\06-MILLWORK\ML02



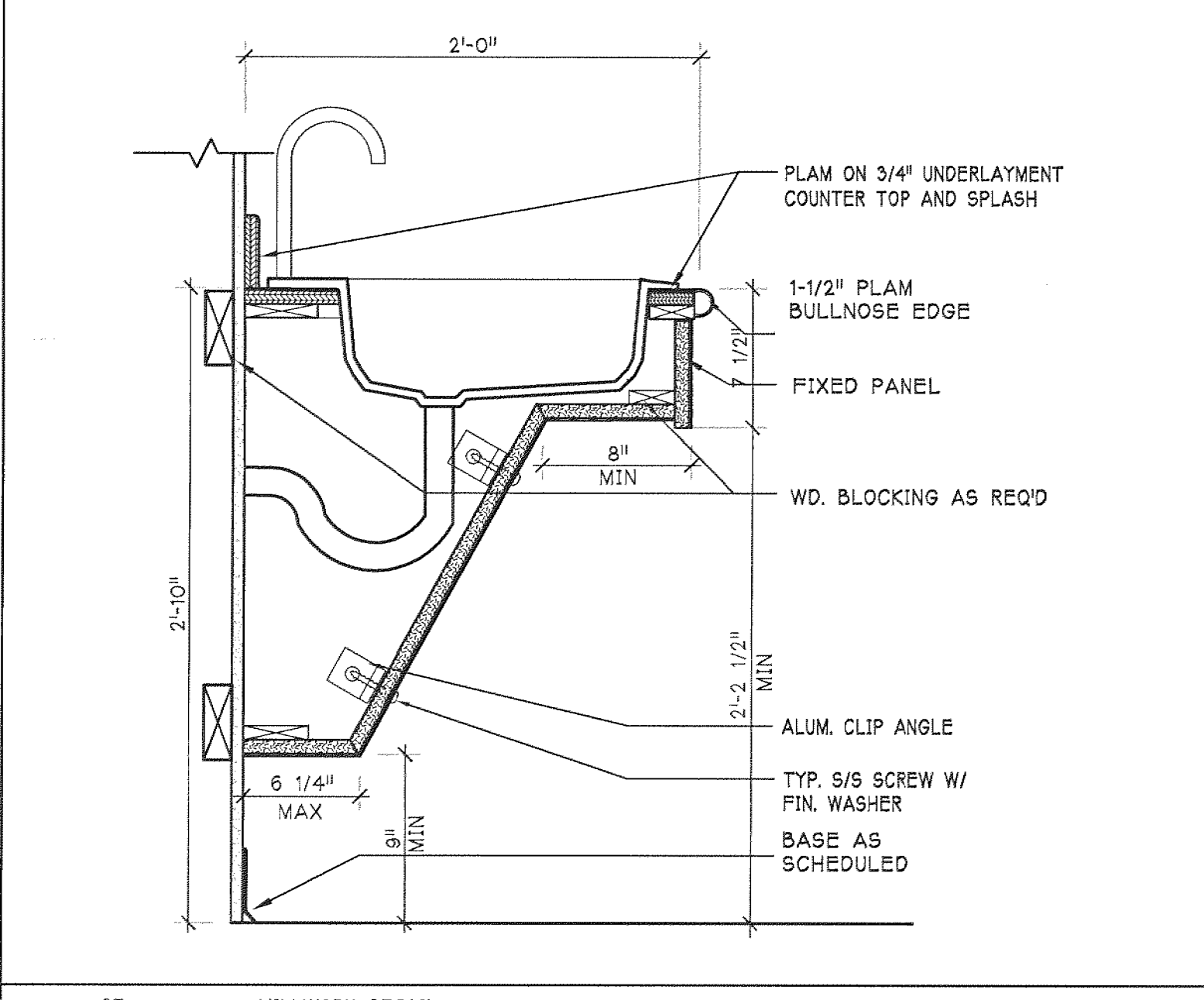
05 MILLWORK DETAIL
1 1/2" = 1'-0" f:\acad\proj\p174\04-detail\06-MILLWORK\ML05



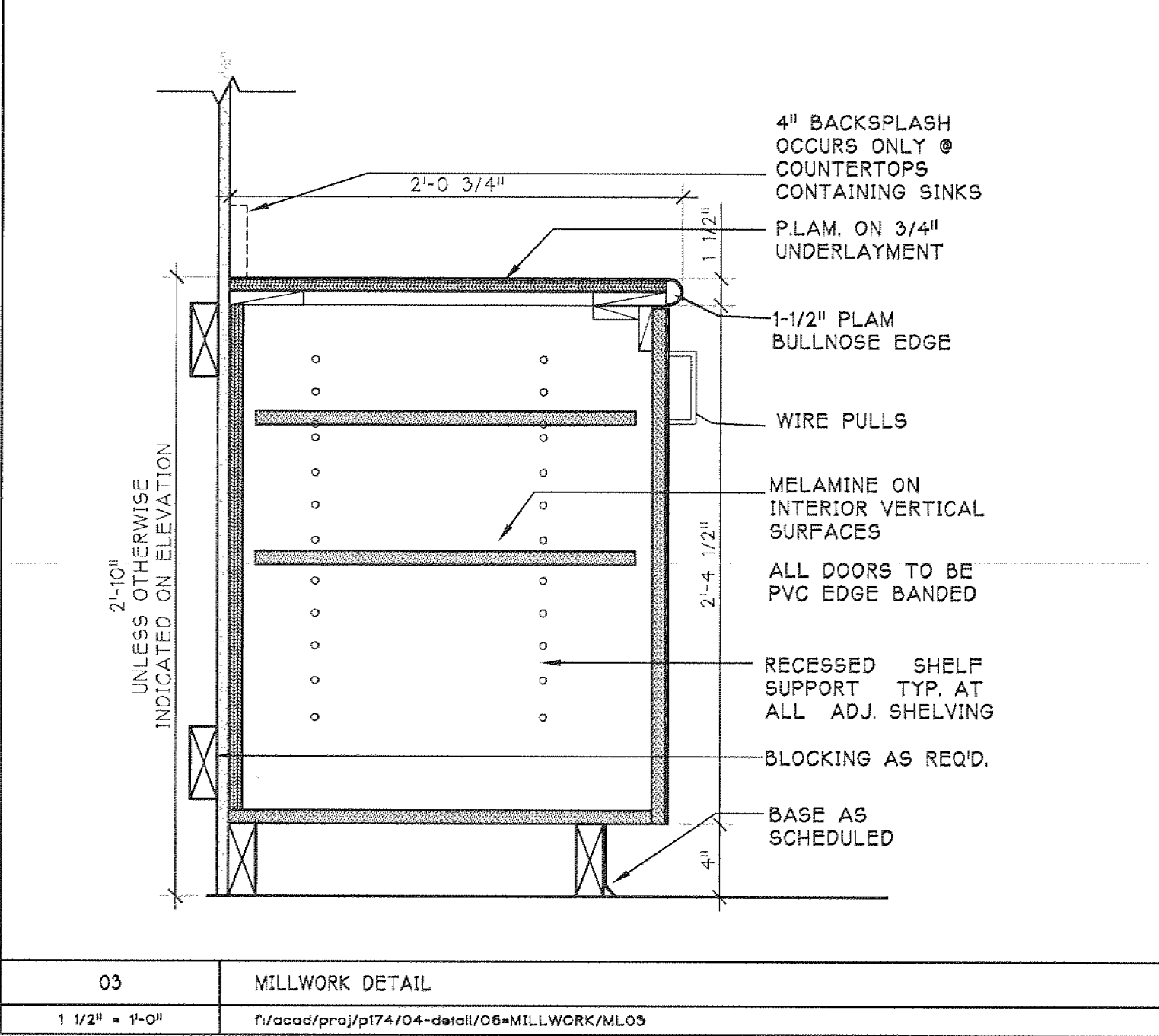
08 MILLWORK DETAIL
1 1/2" = 1'-0" f:\acad\proj\p174\04-detail\06-MILLWORK\ML08



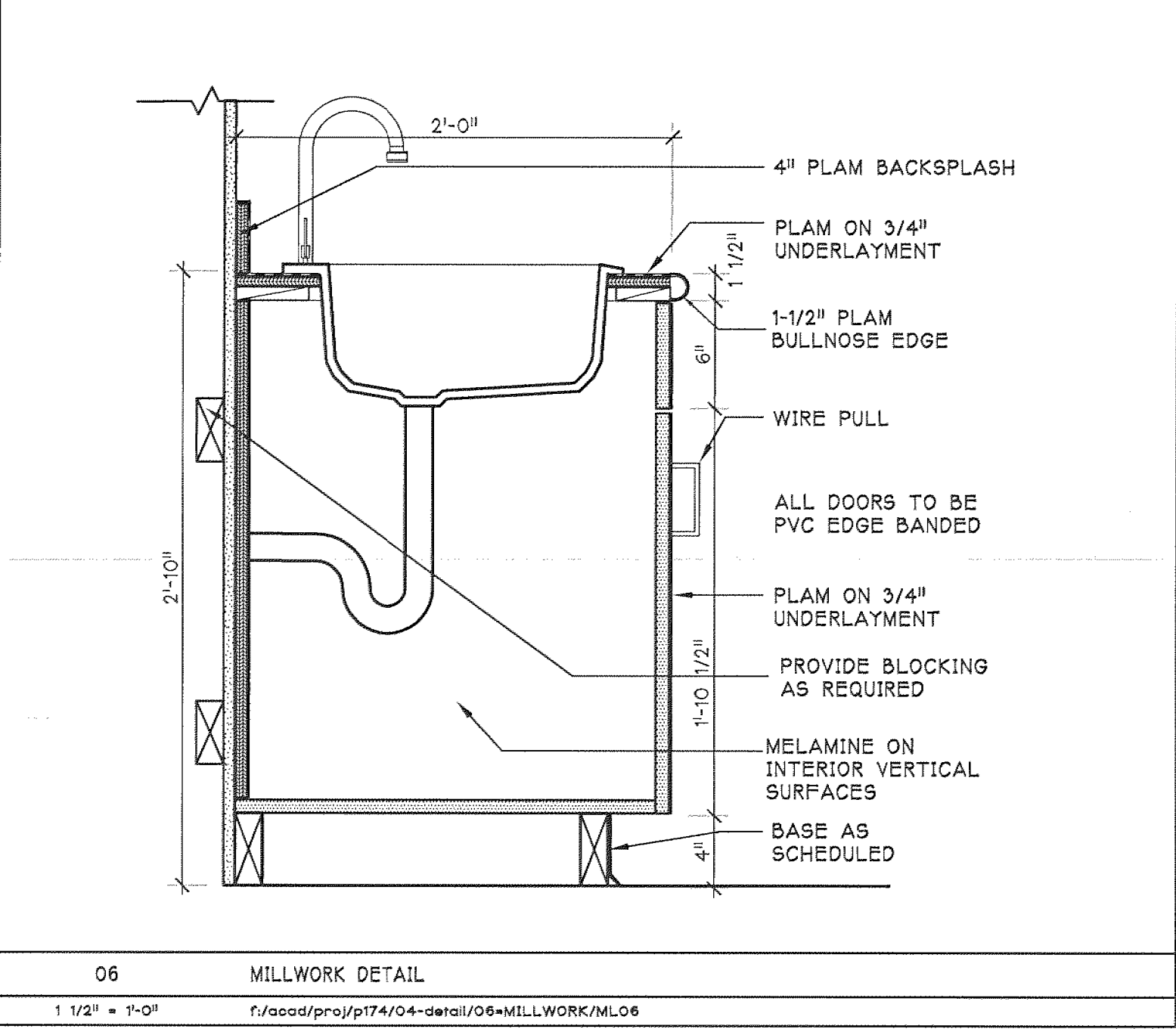
04 MILLWORK DETAIL
1 1/2" = 1'-0" f:\acad\proj\p174\04-detail\06-MILLWORK\ML04



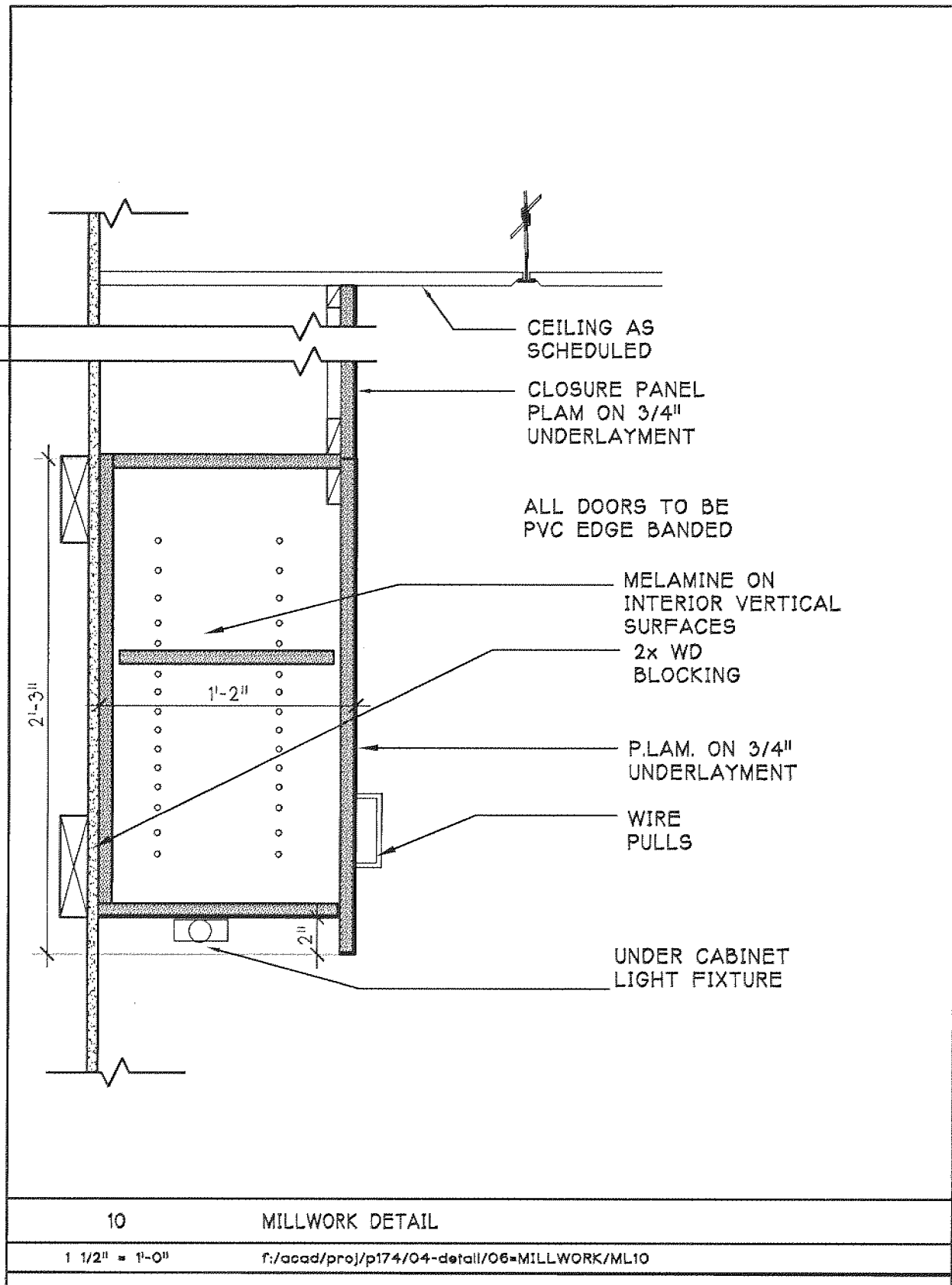
07 MILLWORK DETAIL
1 1/2" = 1'-0" f:\acad\proj\p174\04-detail\06-MILLWORK\ML07



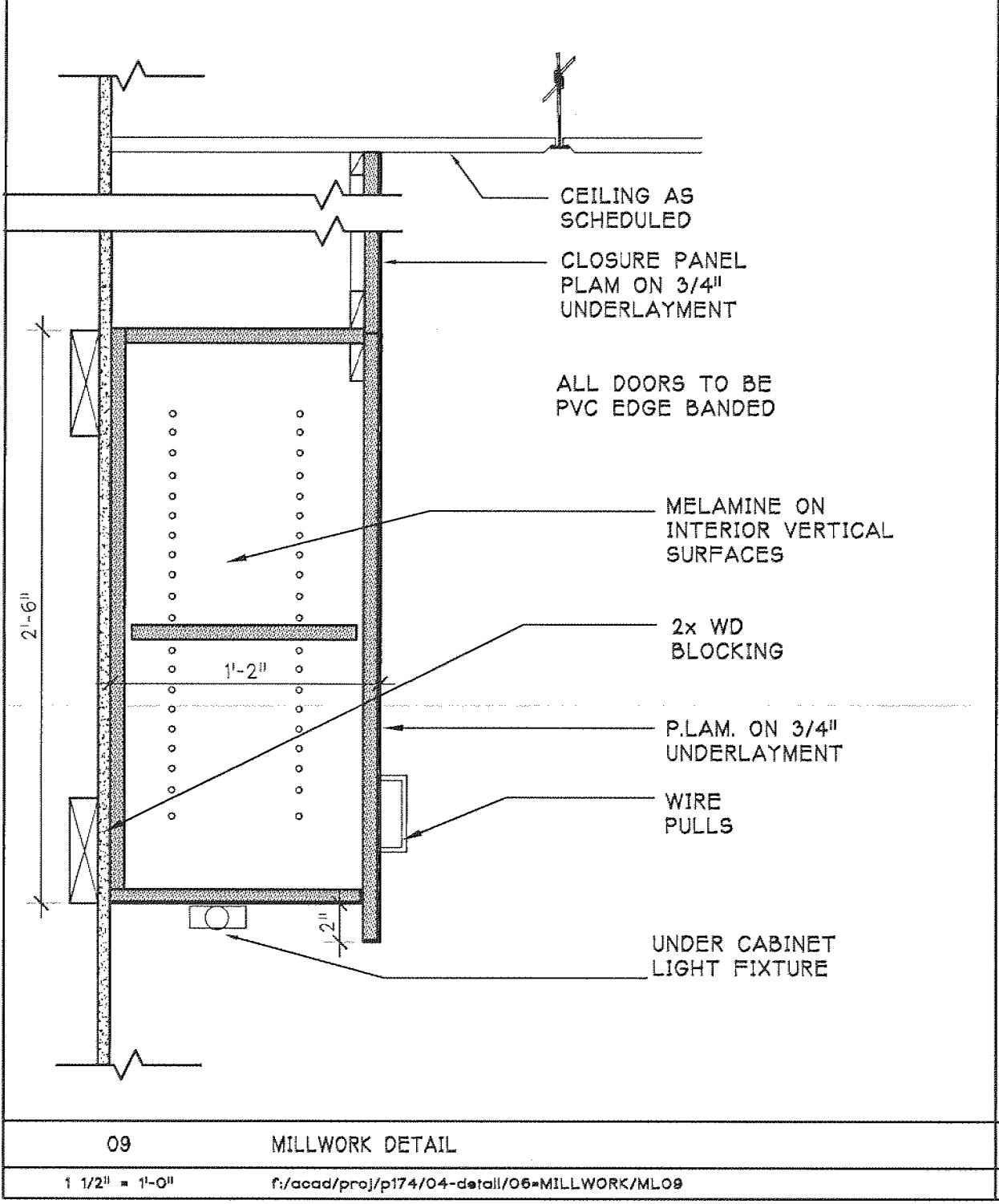
03 MILLWORK DETAIL
1 1/2" = 1'-0" f:\acad\proj\p174\04-detail\06-MILLWORK\ML03



06 MILLWORK DETAIL
1 1/2" = 1'-0" f:\acad\proj\p174\04-detail\06-MILLWORK\ML06



10 MILLWORK DETAIL
1 1/2" = 1'-0" f:\acad\proj\p174\04-detail\06-MILLWORK\ML10



09 MILLWORK DETAIL
1 1/2" = 1'-0" f:\acad\proj\p174\04-detail\06-MILLWORK\ML09

F:\Acad\1780\p174\10-Sheet14-Cabinet.dwg Date: 12, 2006 - 3:55pm

MILLWORK DETAILS

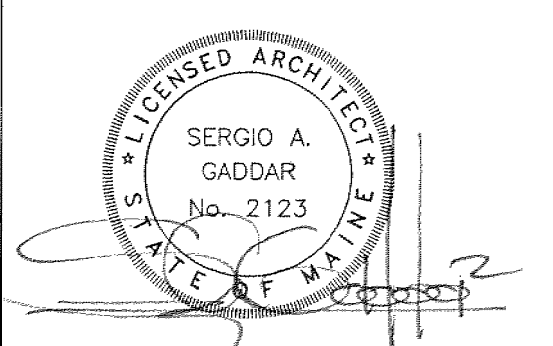


ARCHITECTS
INTERIORS
PLANNERS

55 GREEN STREET
PORTSMOUTH, NH 03801
T 603.436.2551
F 603.436.6973
www.jsainc.com

Renovations to
Pavilion C-D 3rd Floor
A.C.E. Unit

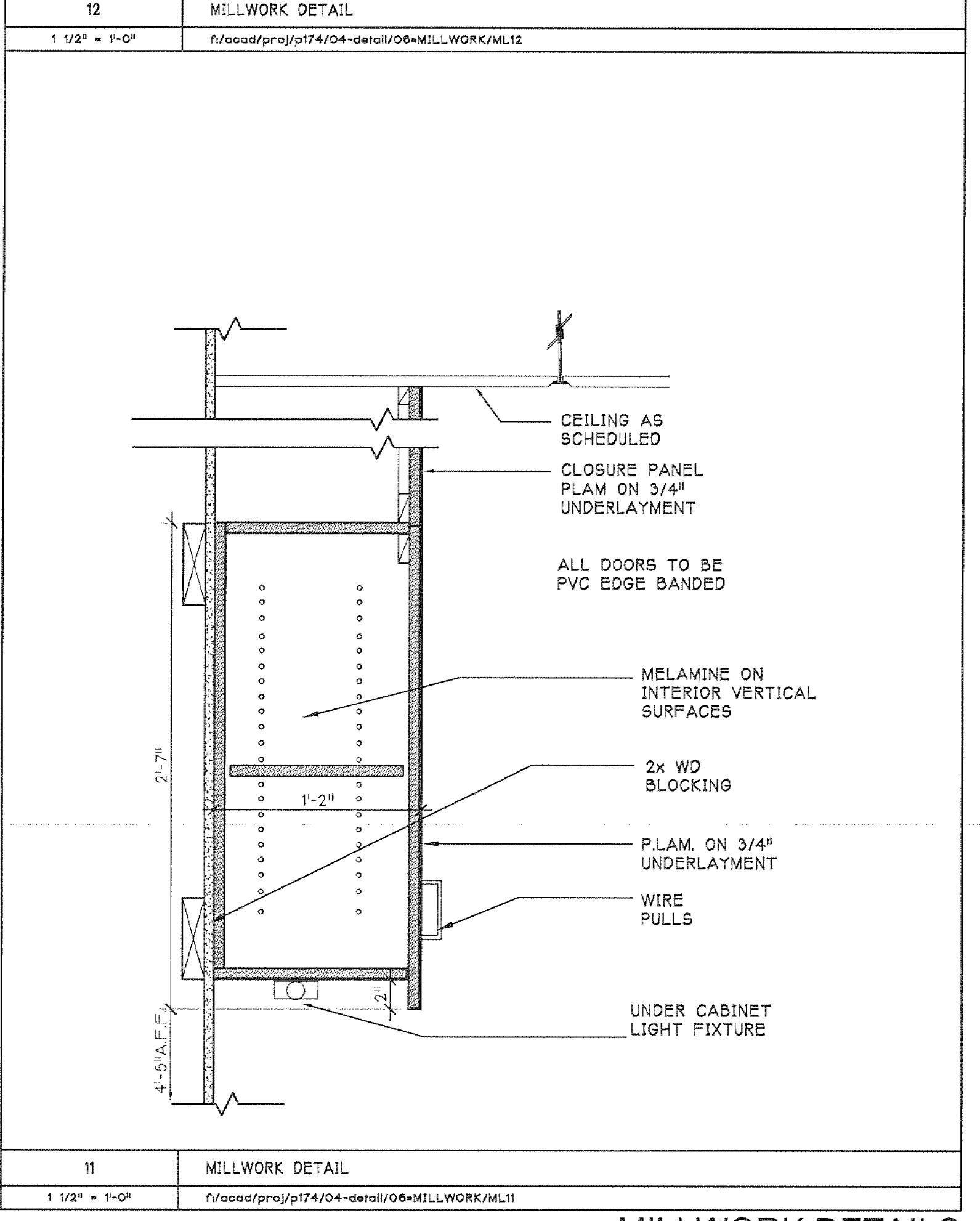
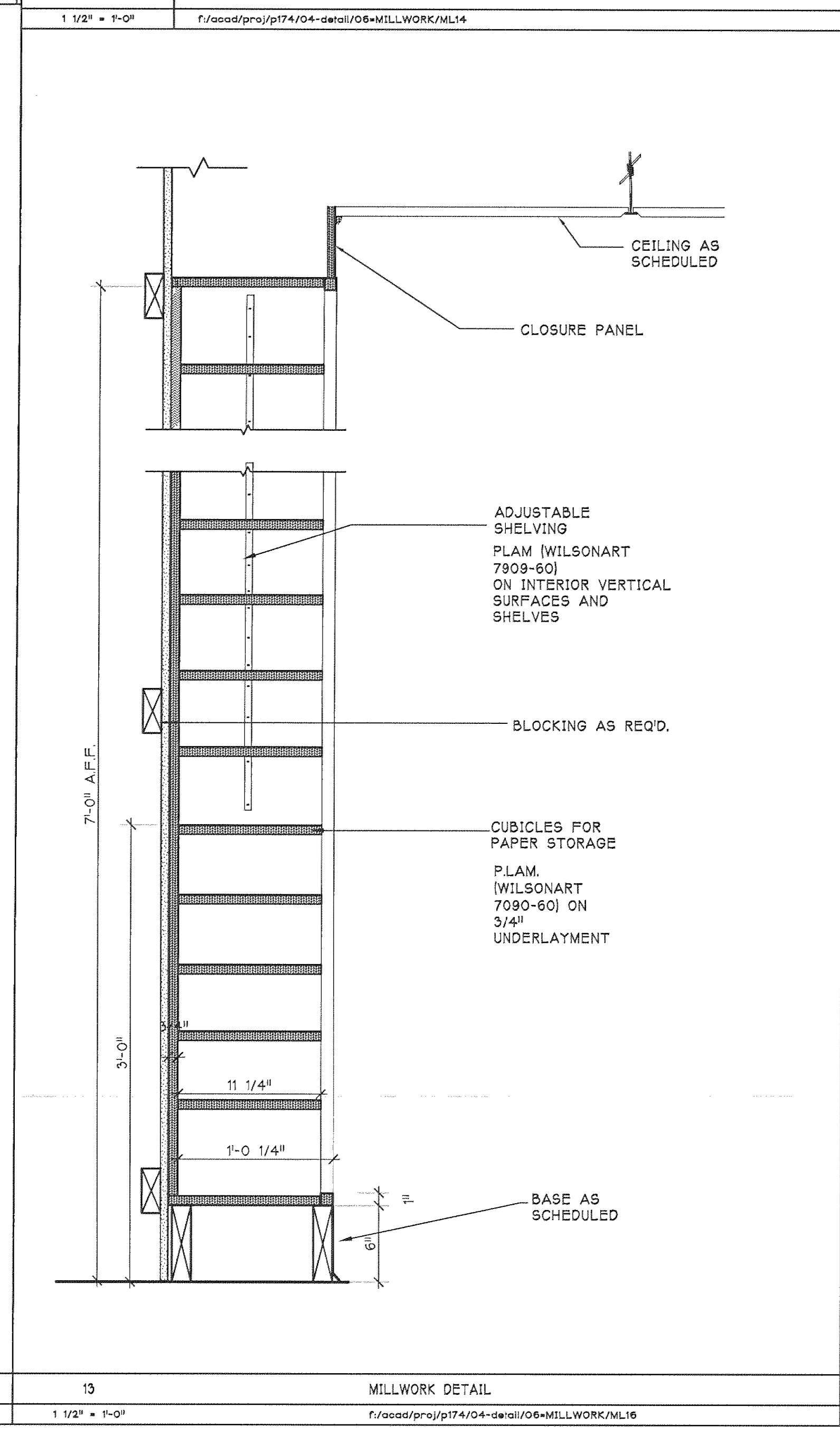
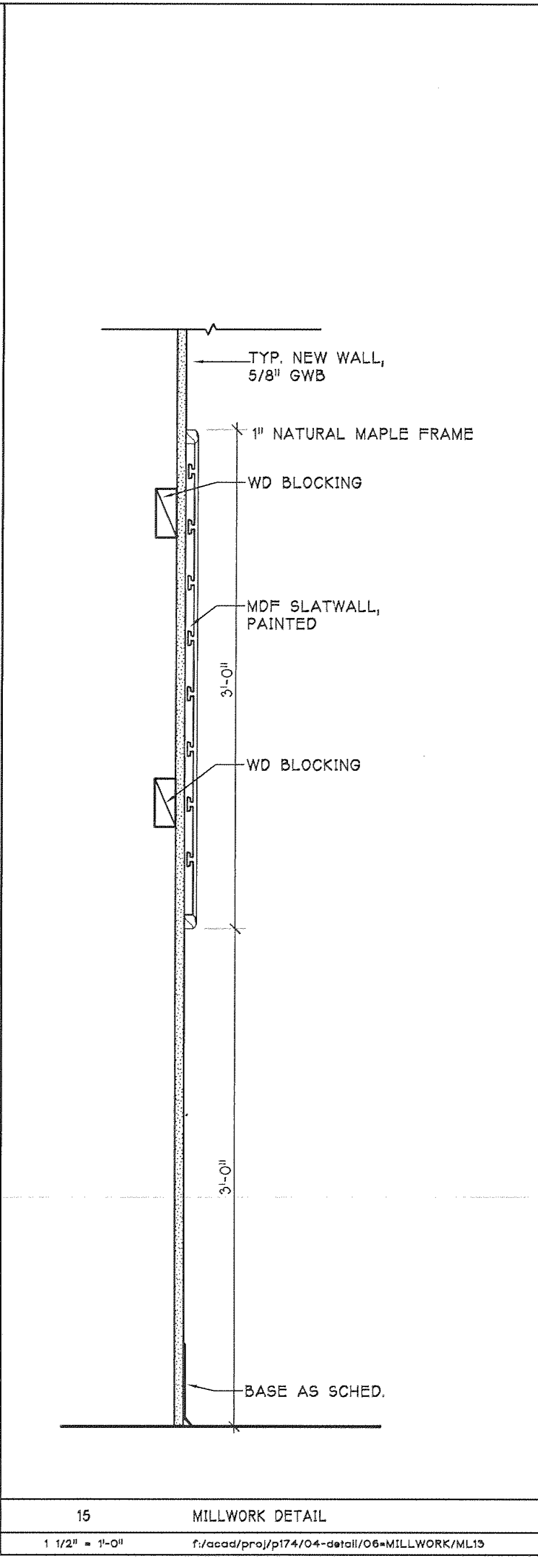
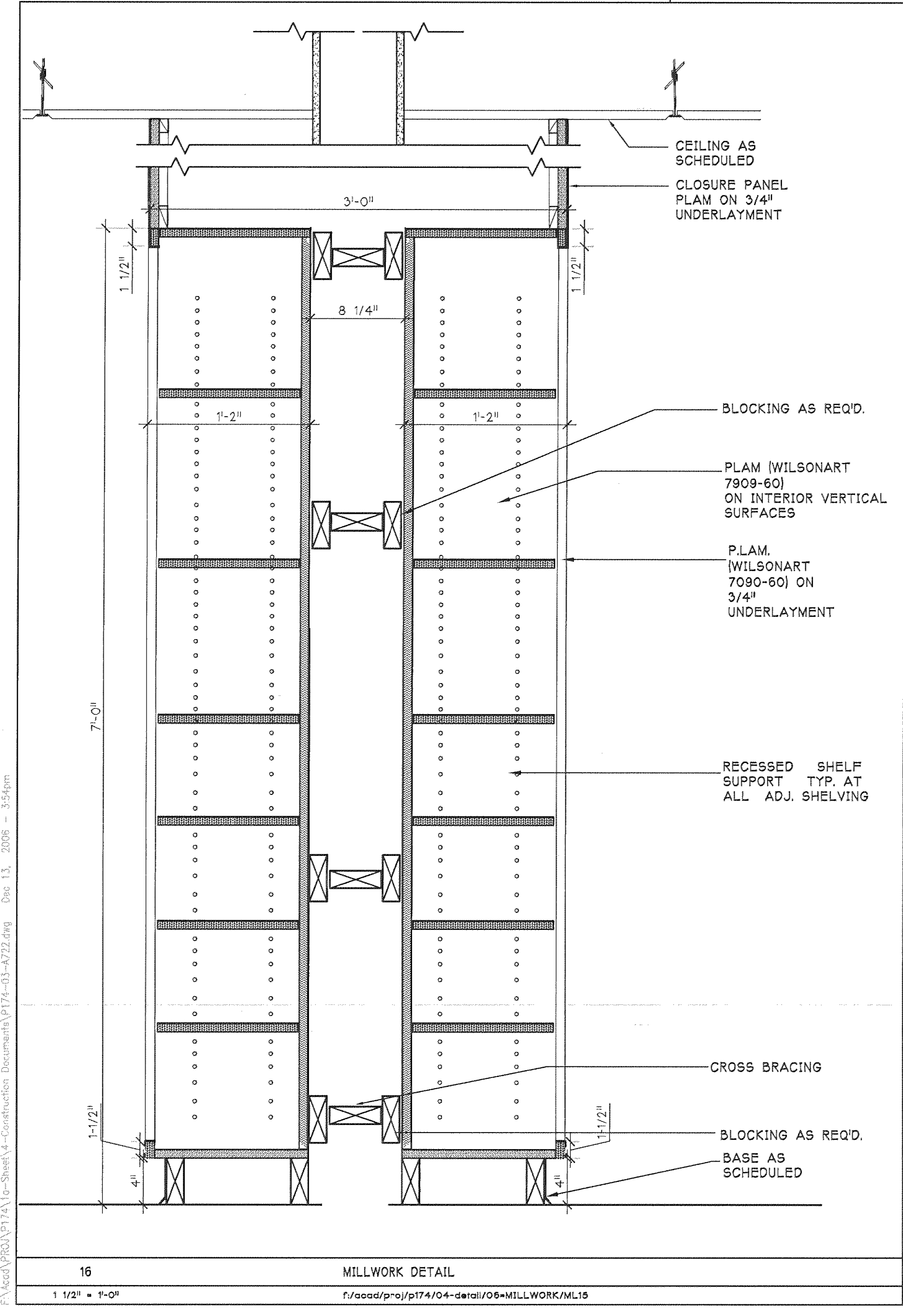
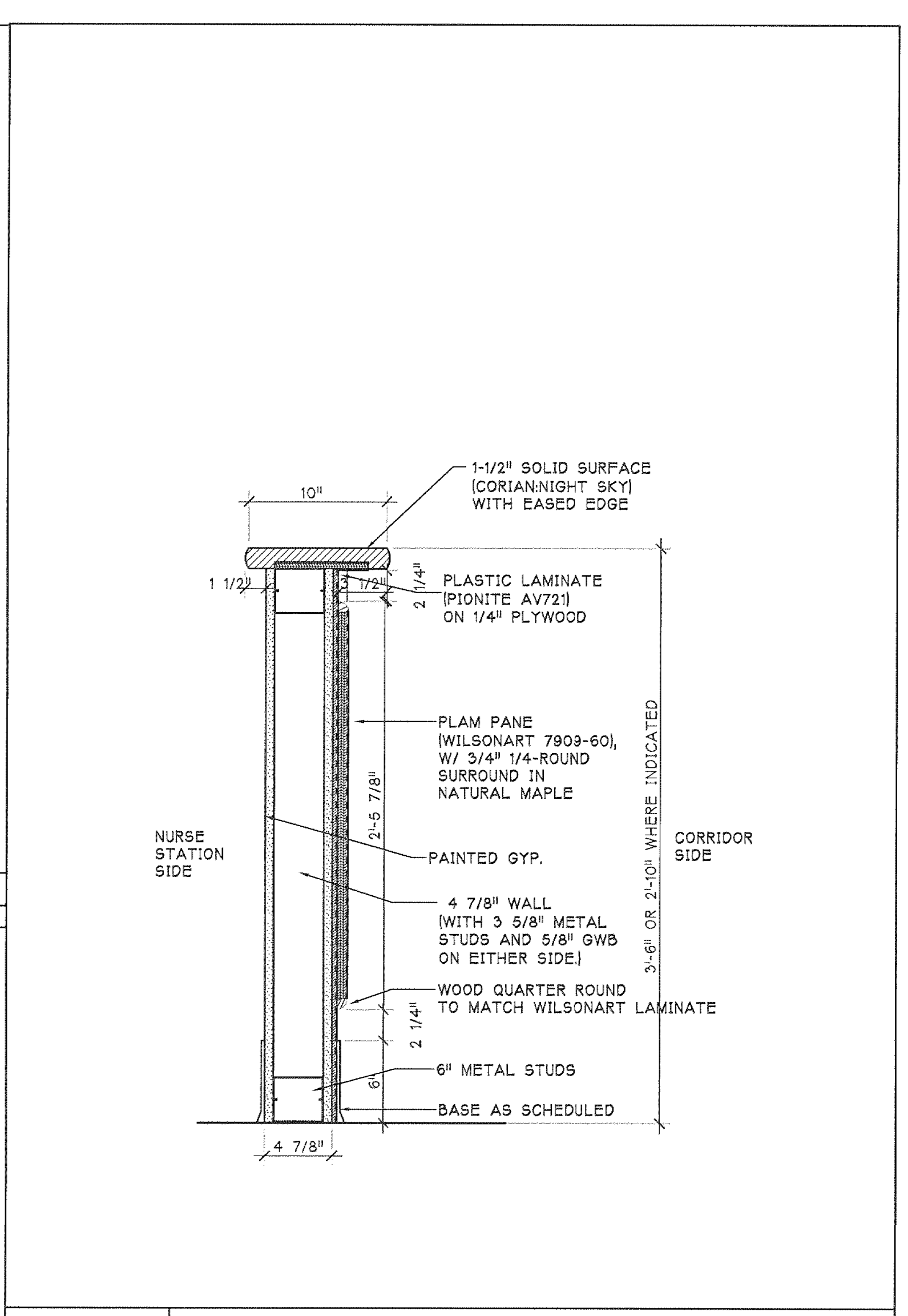
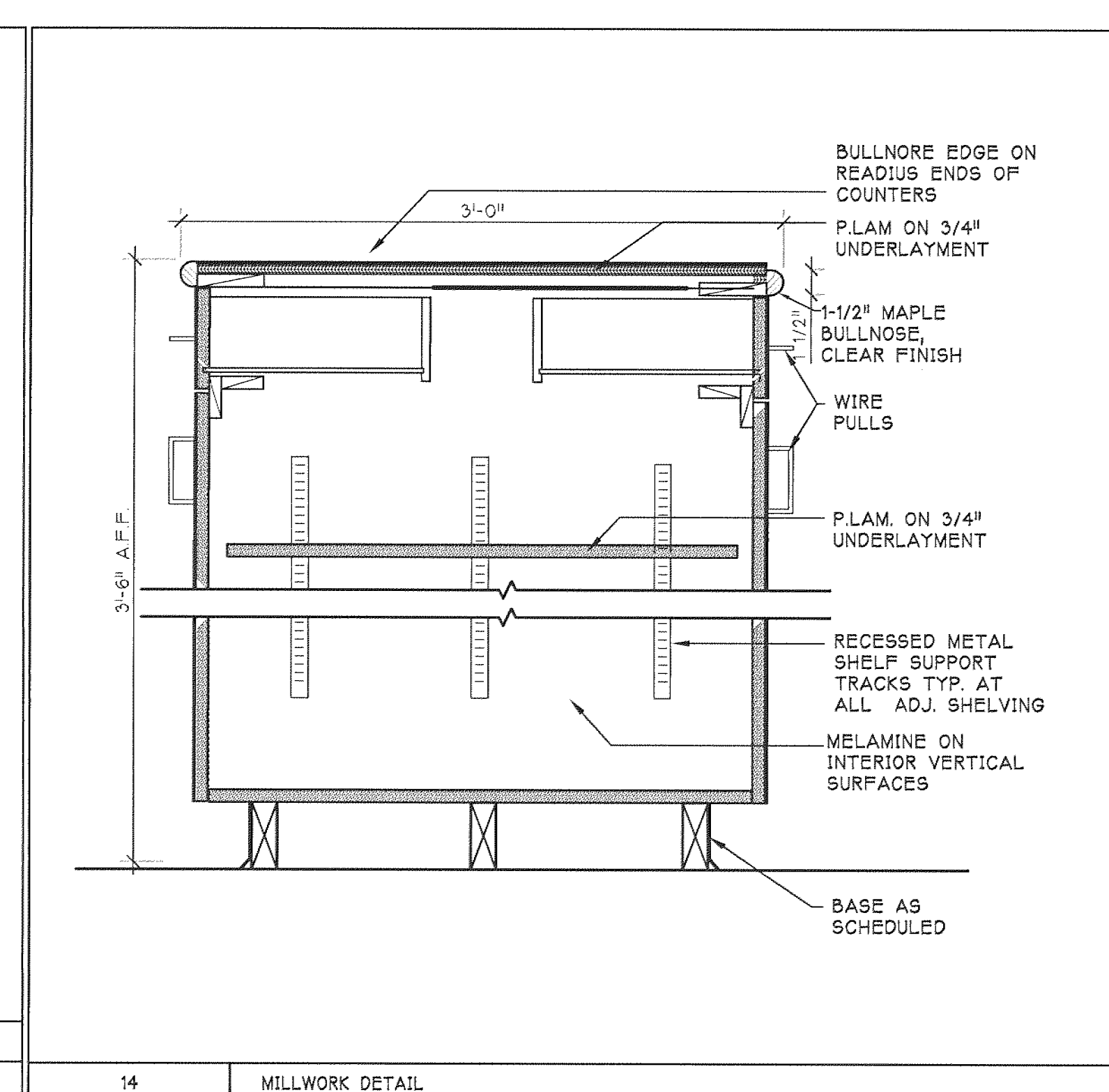
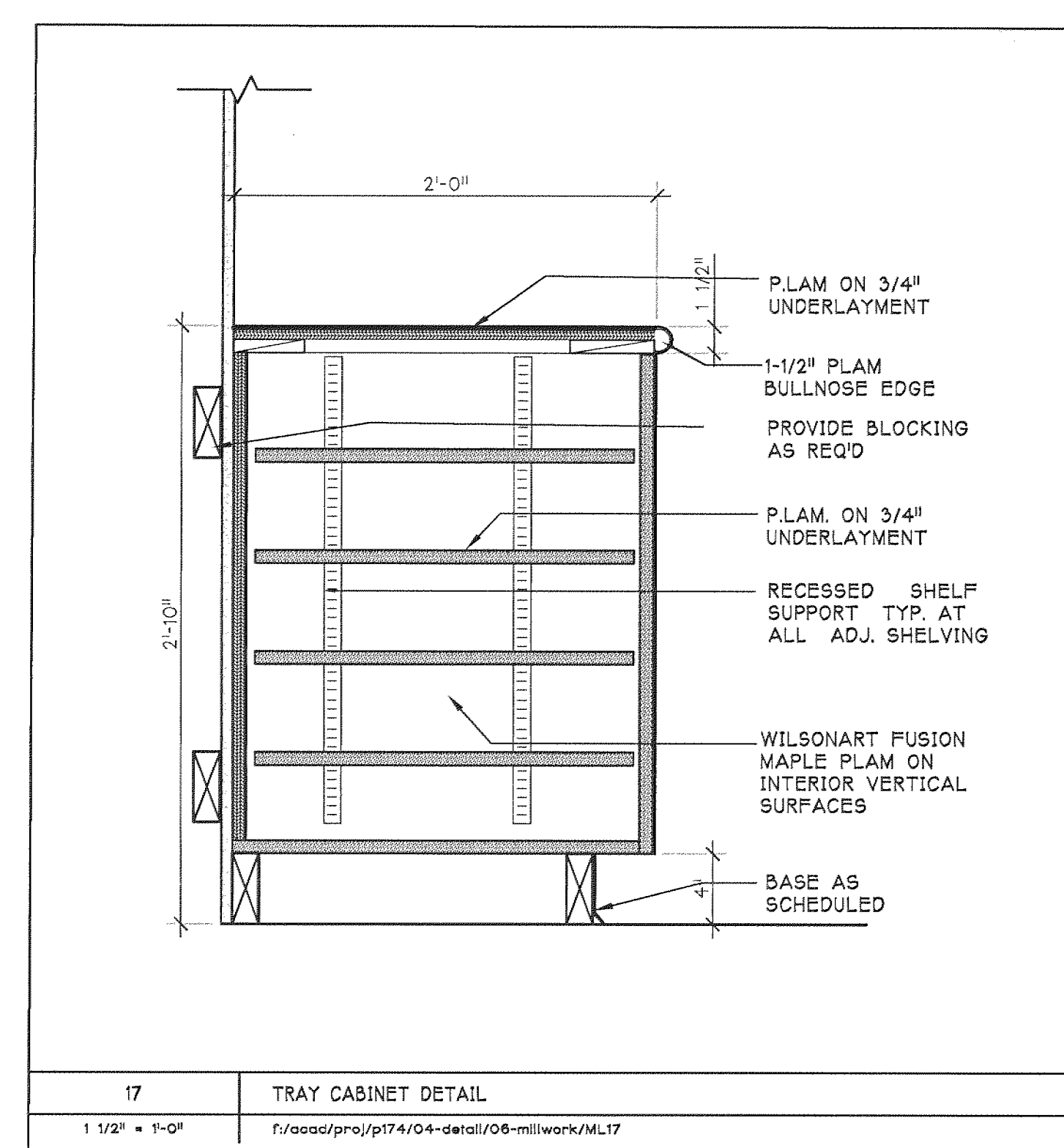
Maine Medical Center
22 Bramhall Street
Portland, ME 04102



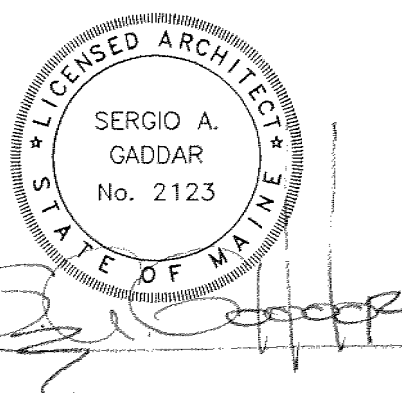
MMC Project No. 26006
Scale: 1 1/2" = 1'-0"
Project Number: 04-P174
Date: 12/11/06
Revisions:

PERMIT SET

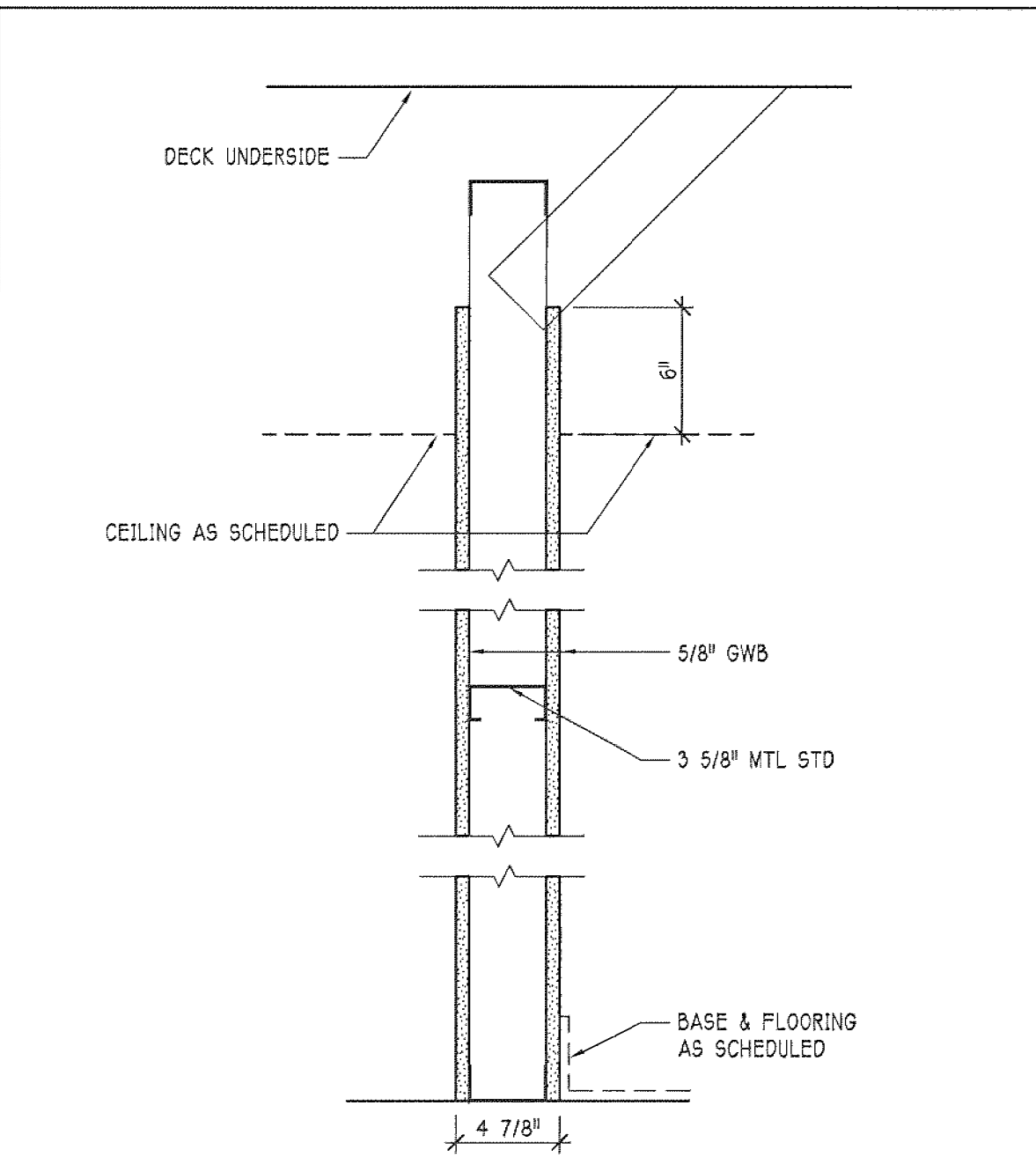
A7.22



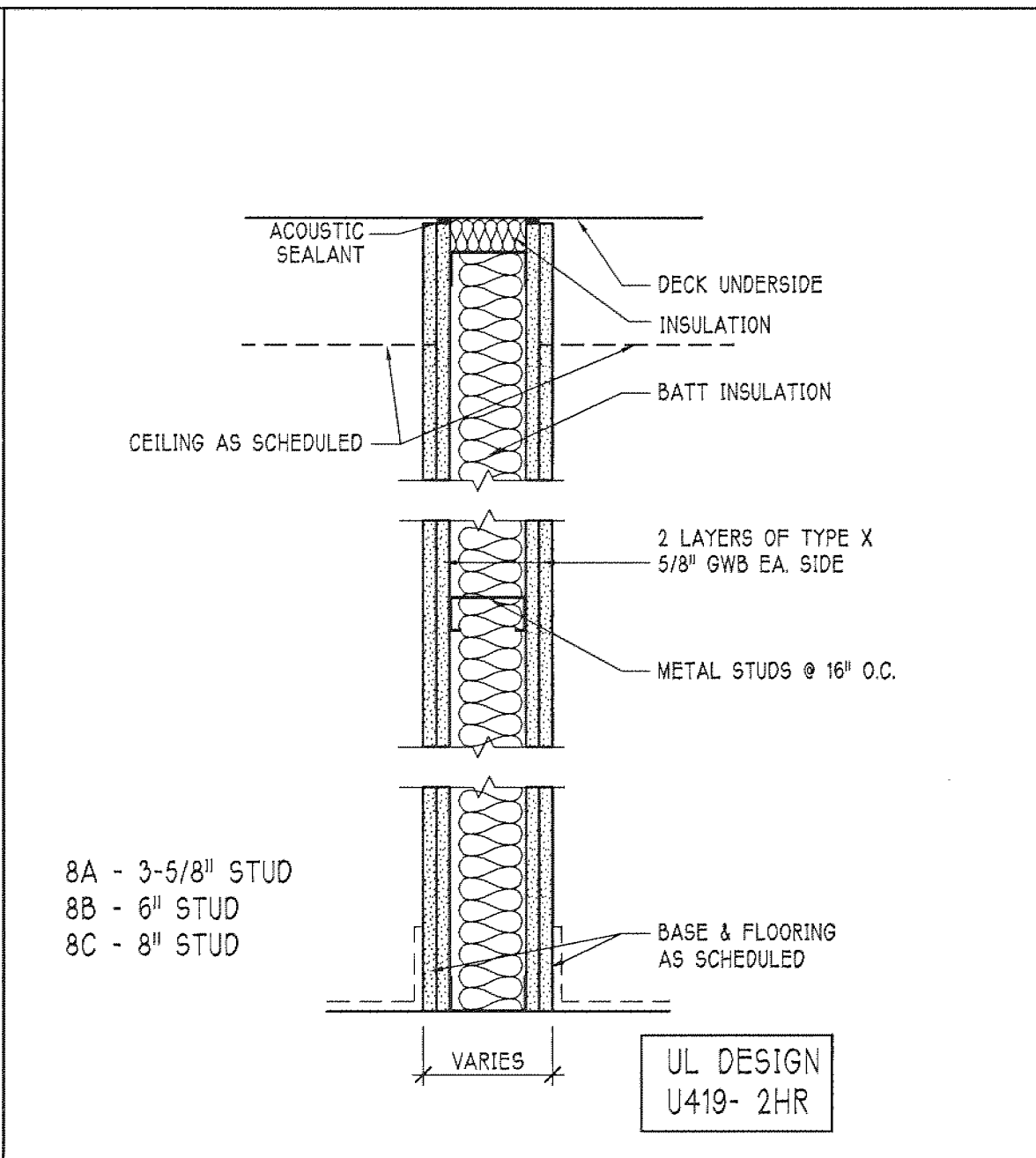
MILLWORK DETAILS



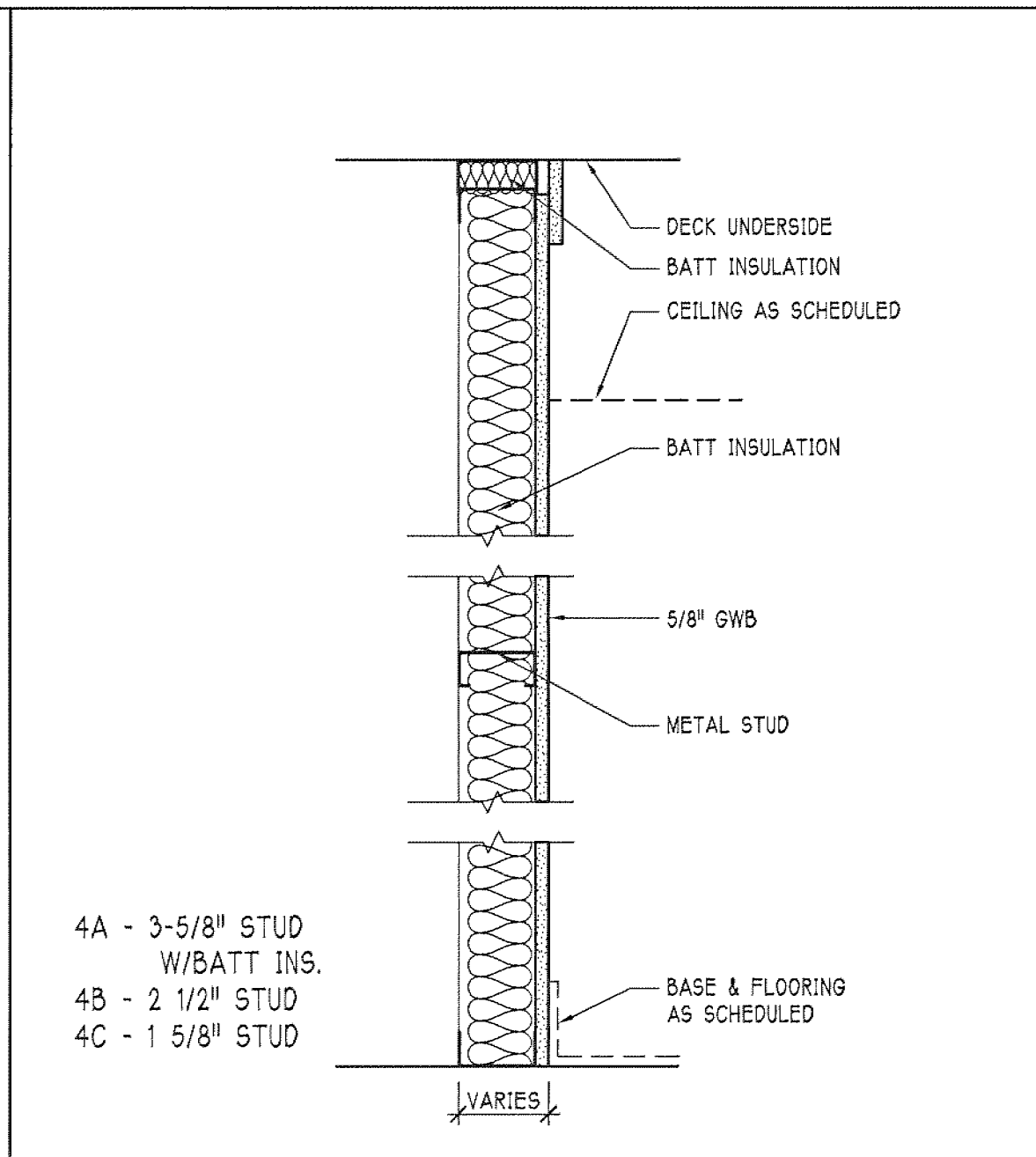
MMC Project No. 26006
Scale: AS NOTED
Project Number: 04-P174
Date: 12/11/06
Revisions:



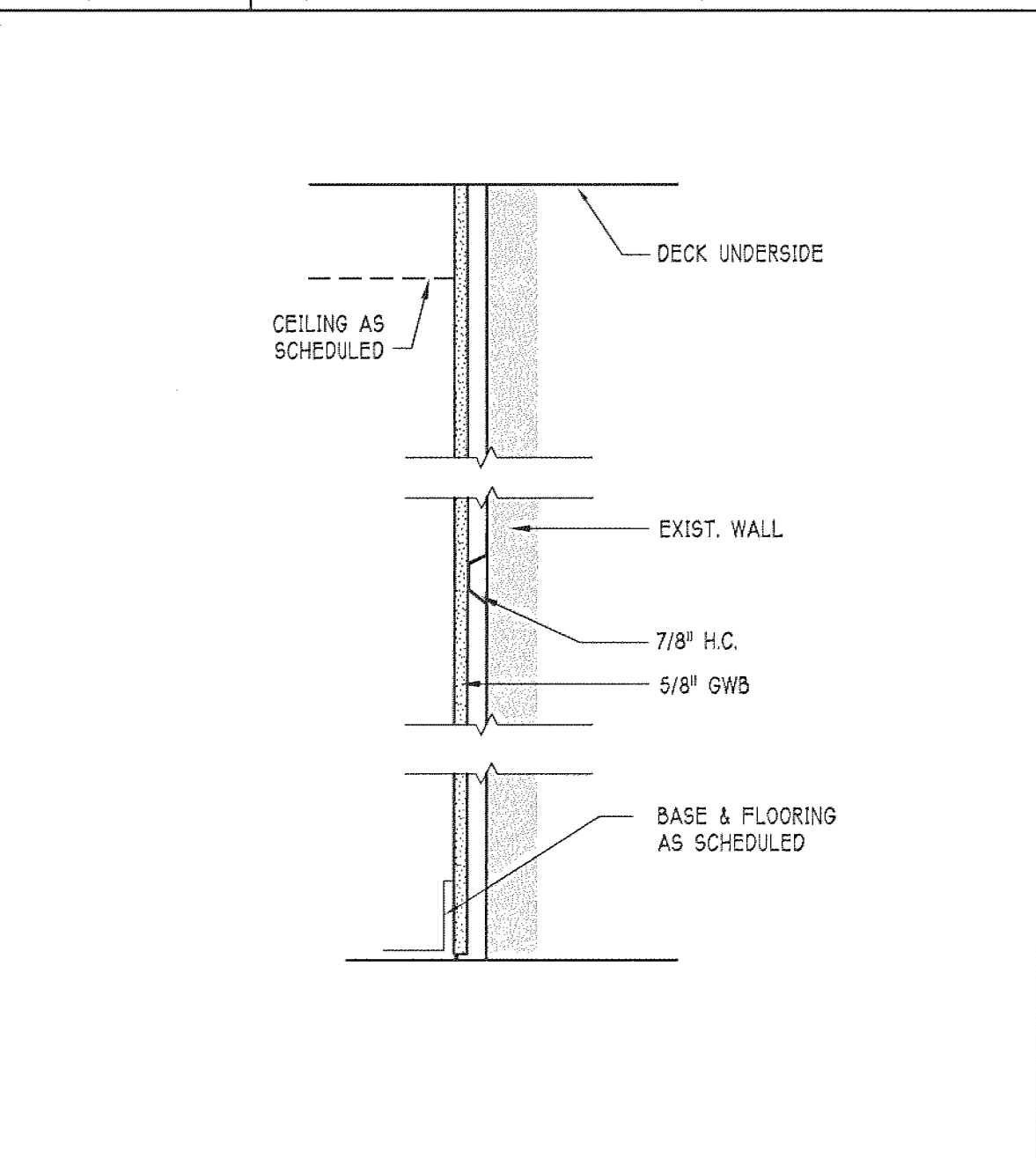
14 PARTITION TYPE - PARTIAL HEIGHT
1 1/2" x 1'-0"



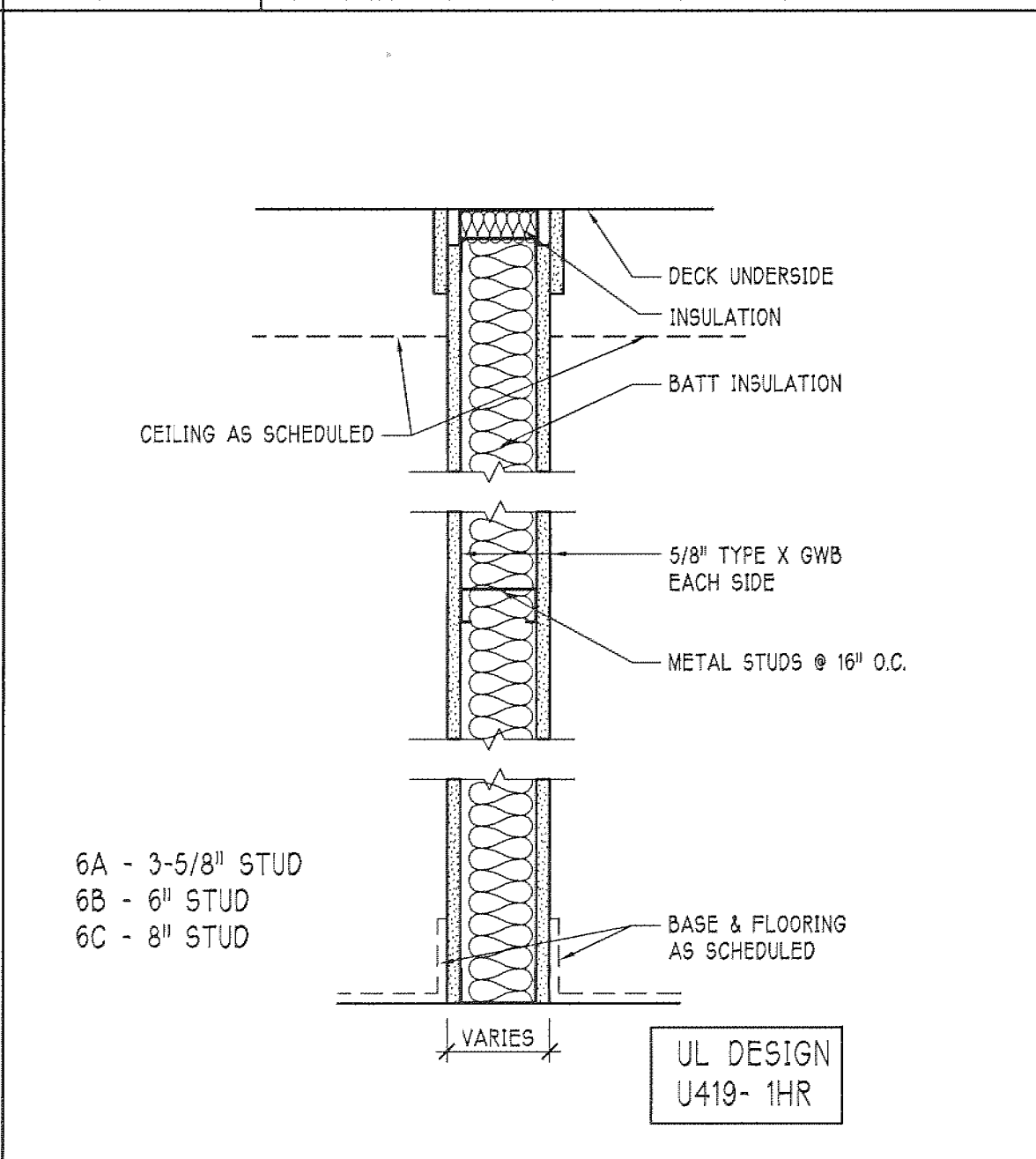
08 PARTITION TYPE 8A, 8B, 8C - 2 HOUR FIRE RATED
1 1/2" x 1'-0"



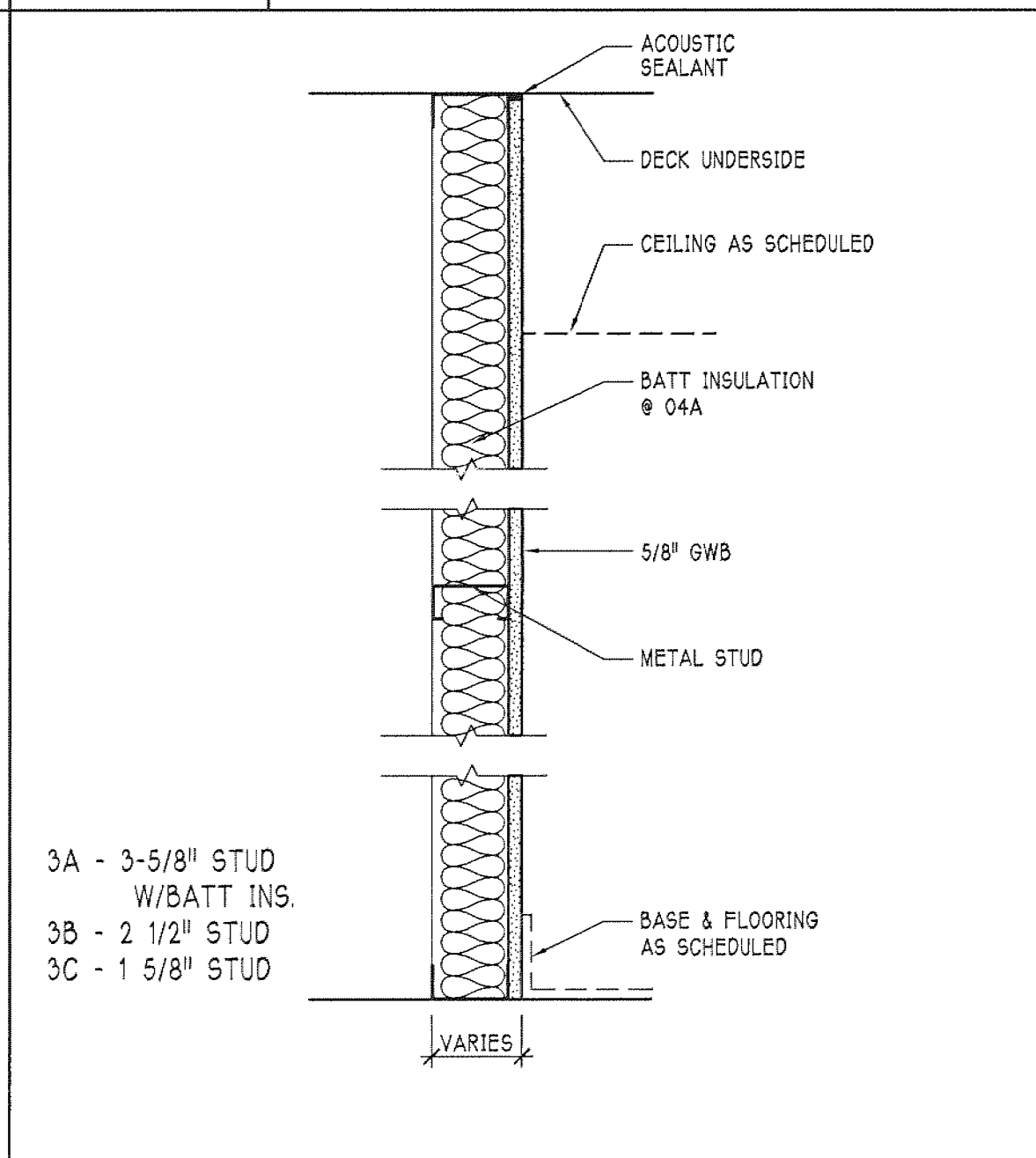
04 PARTITION TYPE 4A, 4B, 4C
1 1/2" x 1'-0"



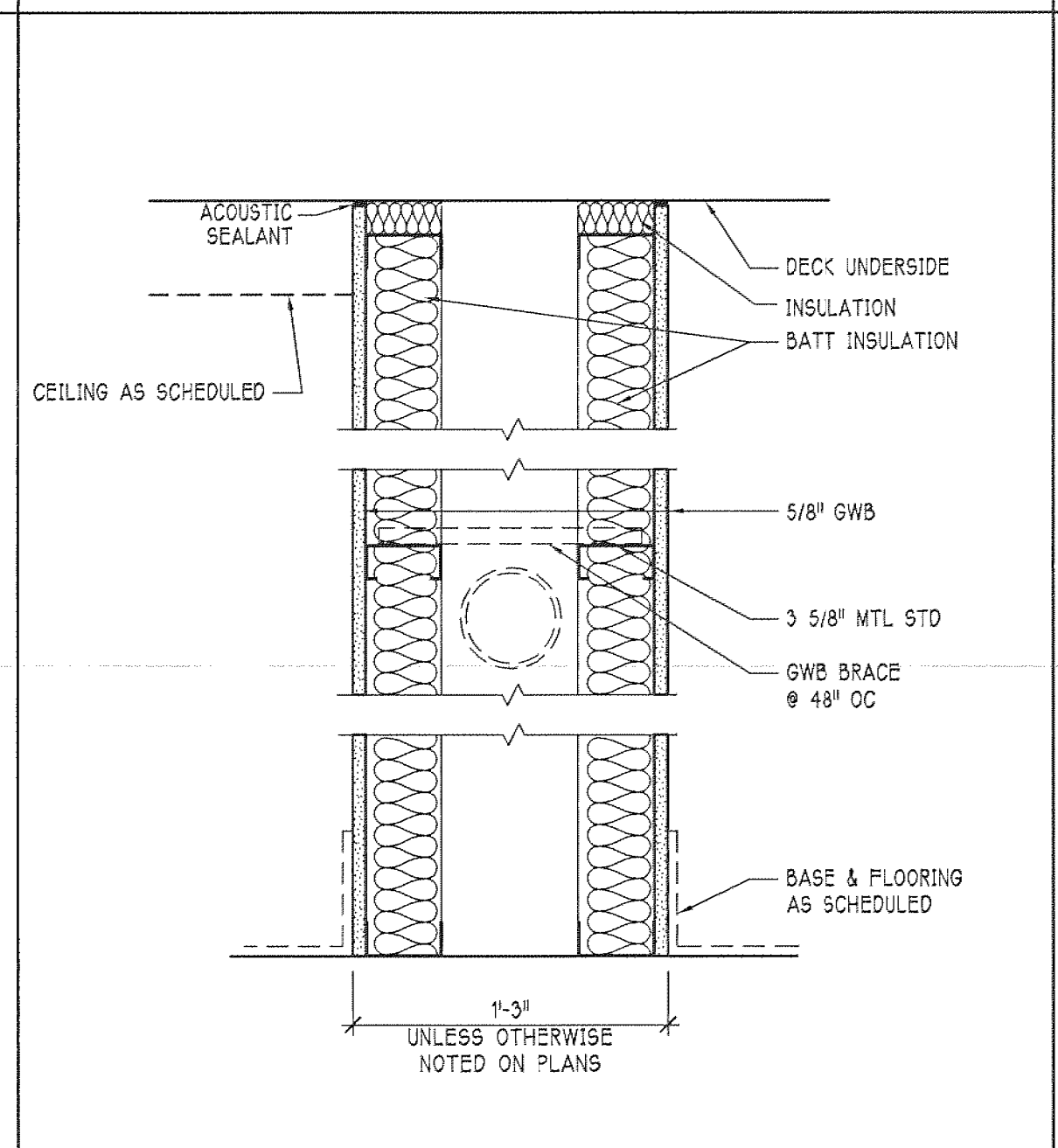
13 PARTITION TYPE - FURRED OUT EX. WALL
1 1/2" x 1'-0"



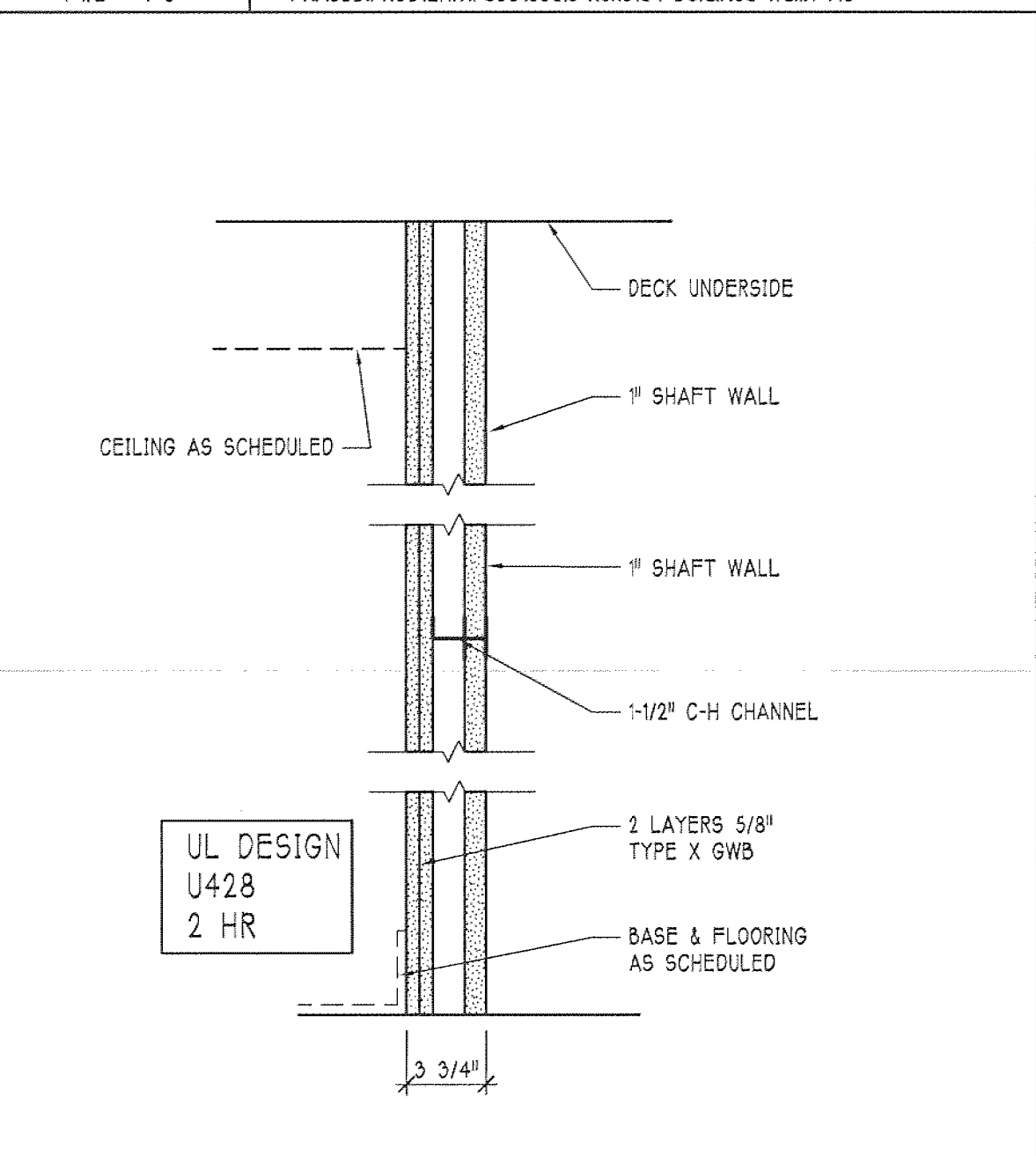
06 PARTITION TYPE 6A, 6B, 6C - 1 HOUR FIRE RATED
1 1/2" x 1'-0"



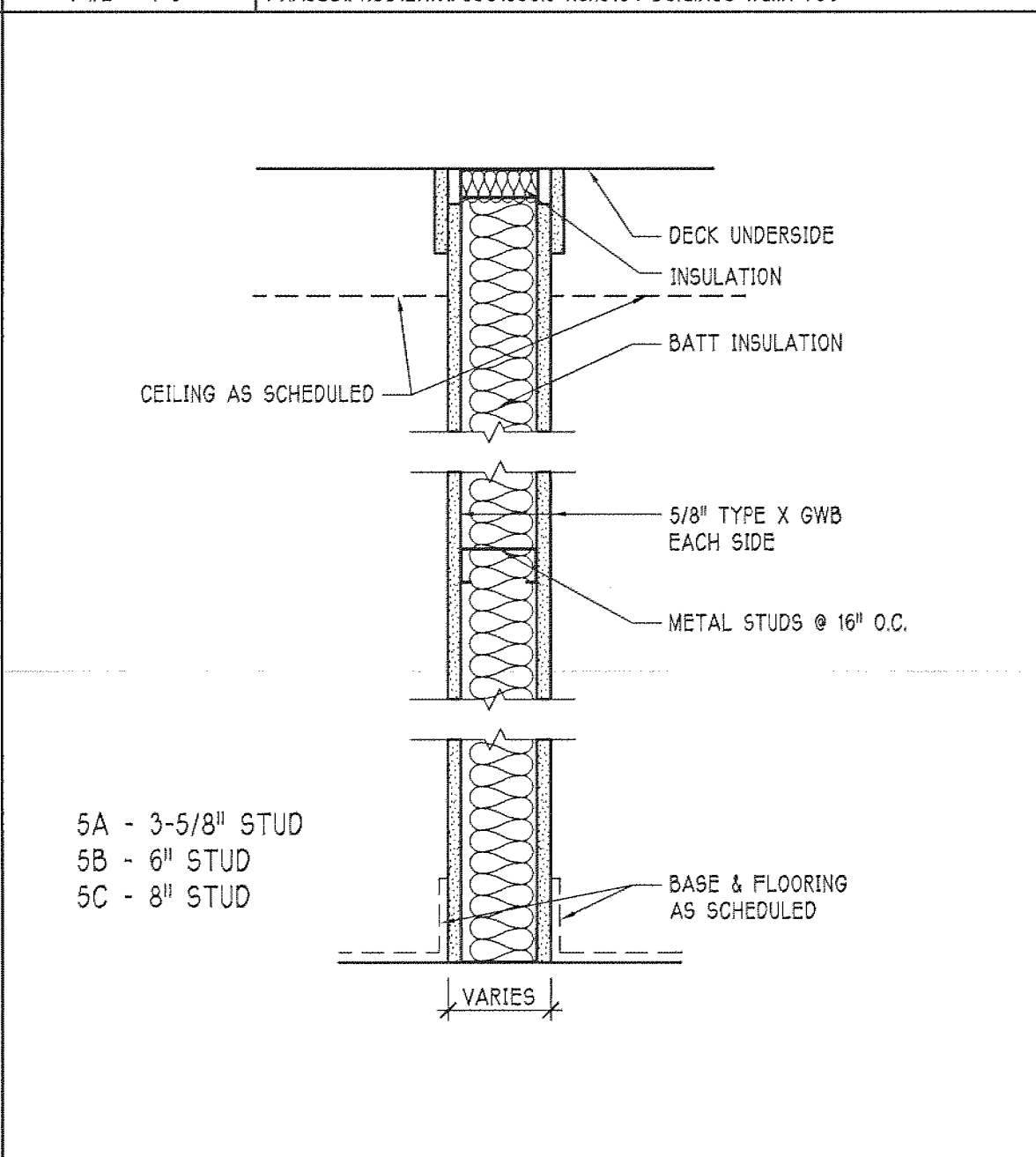
03 PARTITION TYPE 3A, 3B, 3C
1 1/2" x 1'-0"



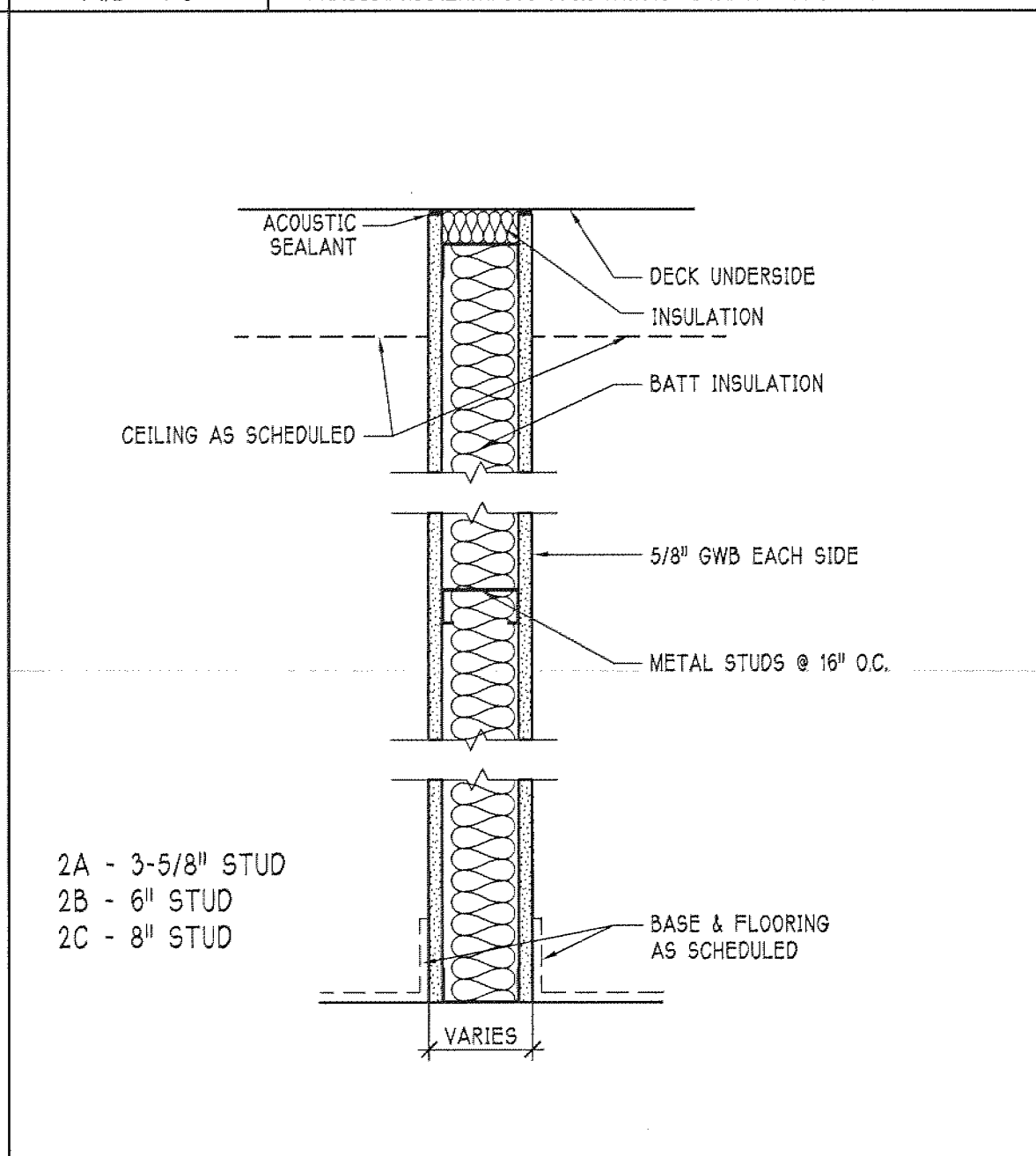
09 PARTITION TYPE
1 1/2" x 1'-0"



12 PARTITION TYPE - SHAFT WALL
1 1/2" x 1'-0"



05 PARTITION TYPE 5A, 5B, 5C - ACOUSTIC
1 1/2" x 1'-0"



02 PARTITION TYPE 2A, 2B, 2C
1 1/2" x 1'-0"

F:\Acad\PROJ\174\16-Sheet\16-Construction Documents\174-03-A8.01.dwg 3/11/06 3:44pm