

KEY PLAN
 $\frac{3}{16}'' = 1'-0''$

GENERAL NOTES

GENERAL
 Drawings indicate general and typical details of construction. Where conditions are of similar character to details shown and although not specifically indicated, similar details shall be used subject to the approval of the engineer. In case of conflicting details and any construction and/or dimensions encountered in the field contrary to those shown on the drawings, the contractor shall notify the engineer prior to commencement of construction. Details, sections, notes, symbols, dimensions etc. are typical unless noted otherwise (UNO). Do not scale from drawings.

Drawings represent a stable structure in the completed condition. The method and means in obtaining this condition is the responsibility of the contractor.

Do not remove existing bracing, brackets etc. unless shown on drawings or approved by Engineer

DESIGN PARAMETERS

Design in accordance with The BOCA National Building

Weight of sign is 1200 pounds as provided by Sign Solutions.

STRUCTURAL STEEL

Steel fabrication and erection shall conform to AISC Specification for the Design, Fabrication and Erection of Structural Steel.

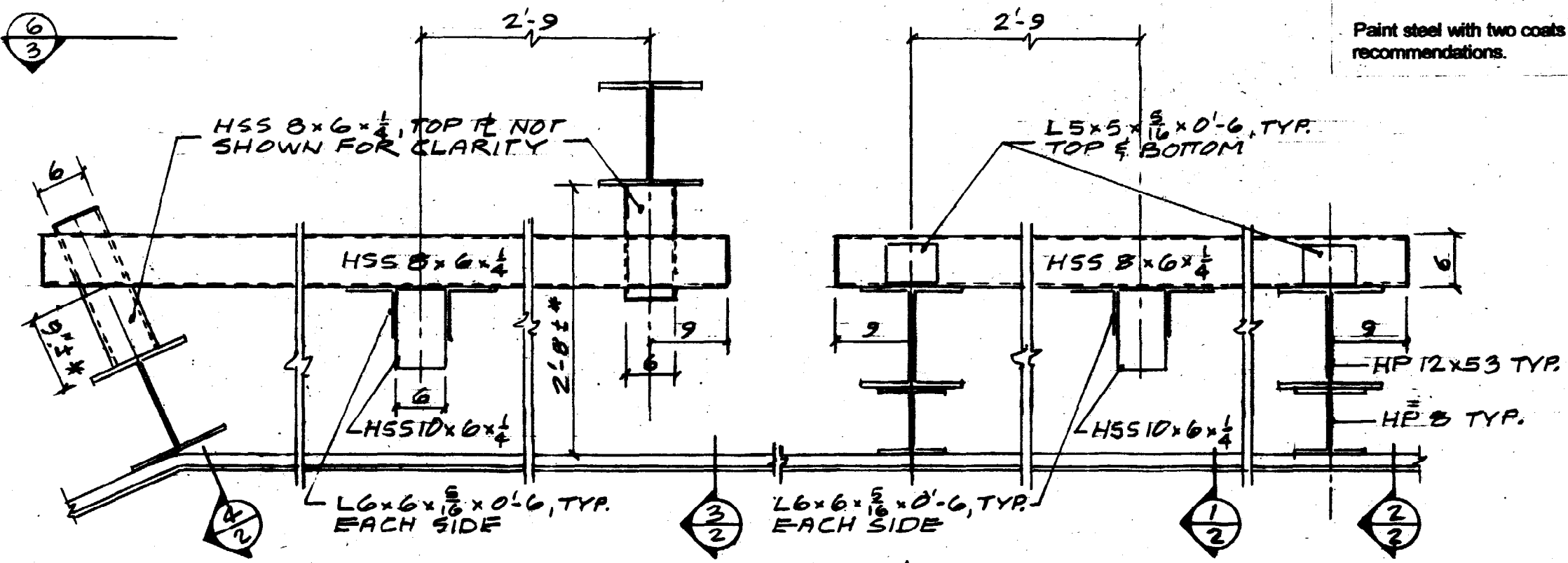
Plates and Angles - ASTM A36

Hollow Structural Sections (HSS) - ASTM A500, Grade B, $F_y = 46$ ksi

Welding shall conform to AWS D1.1 (latest edition) and performed by certified welders qualified by AWS. Electrodes shall be low hydrogen with matching weld metal. Remove existing paint before welding.

For all angles provide $3/16''$ fillet weld all around.

Paint steel with two coats of rust preventive paint in accordance with manufacture's recommendations.



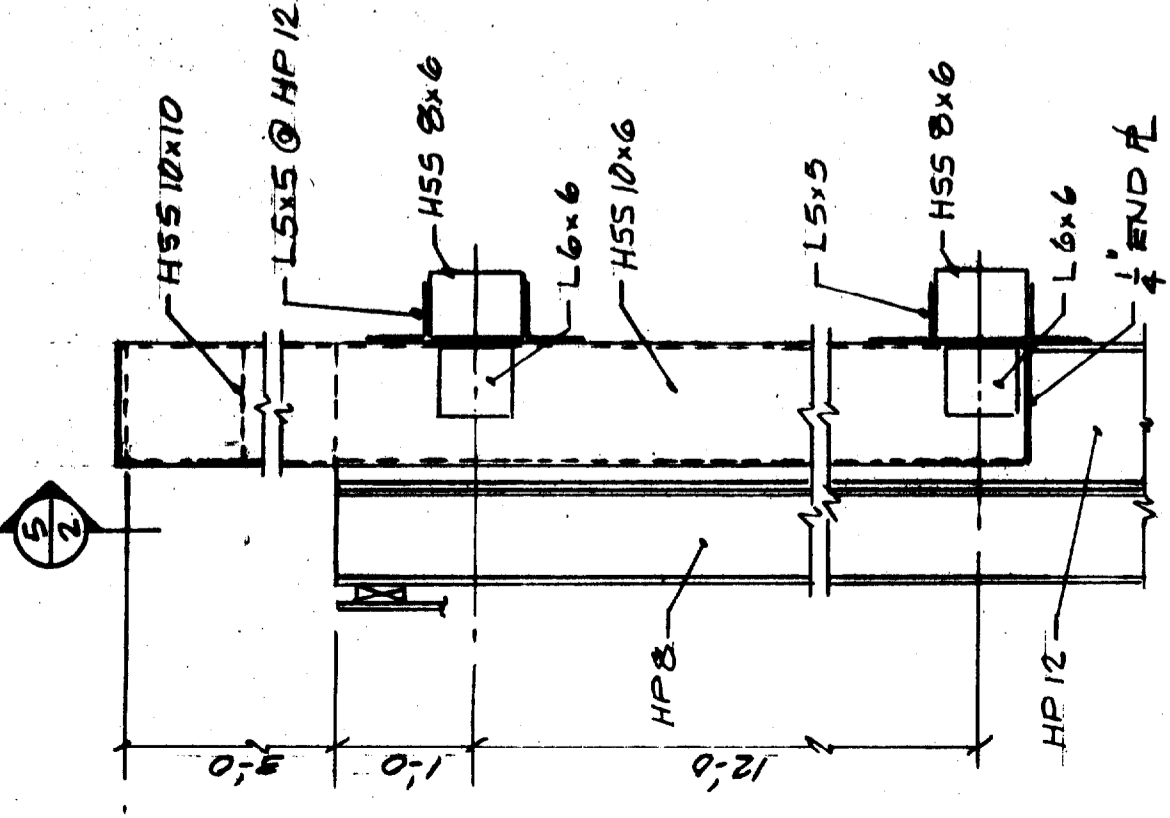
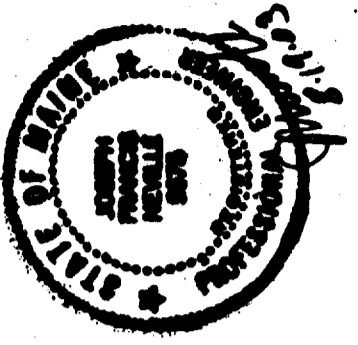
PLAN
 $\frac{3}{4}'' = 1'-0''$

* NOTIFY ENGINEER PRIOR TO CONSTRUCTION IF FIELD DIMENSION IS DIFFERENT.

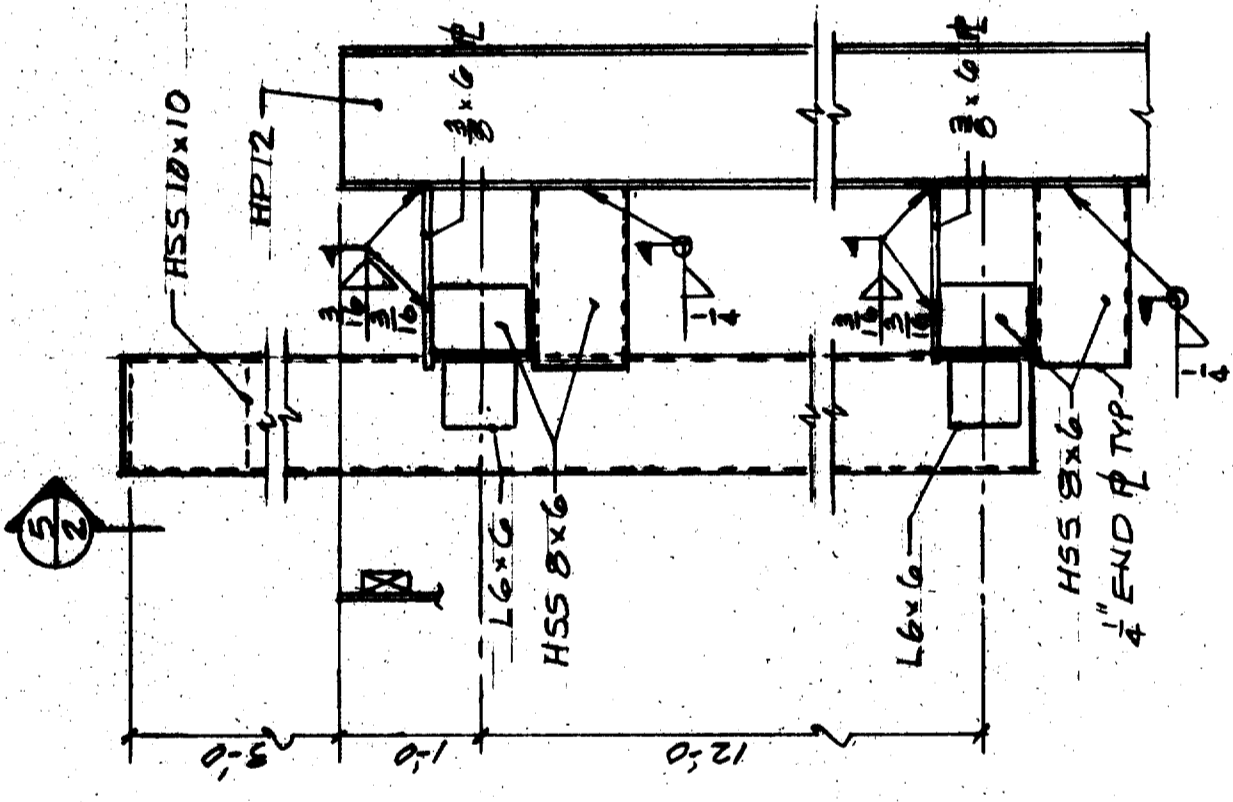


PLAN AND GENERAL NOTES
 HANNAFORD SIGN AT HADLOCK FIELD
 FOR SIGN SOLUTIONS, PORTLAND, ME
 JOB NO. 09-551 DATE: 01/19/03 SHEET 1/3 REV. NO. DATE

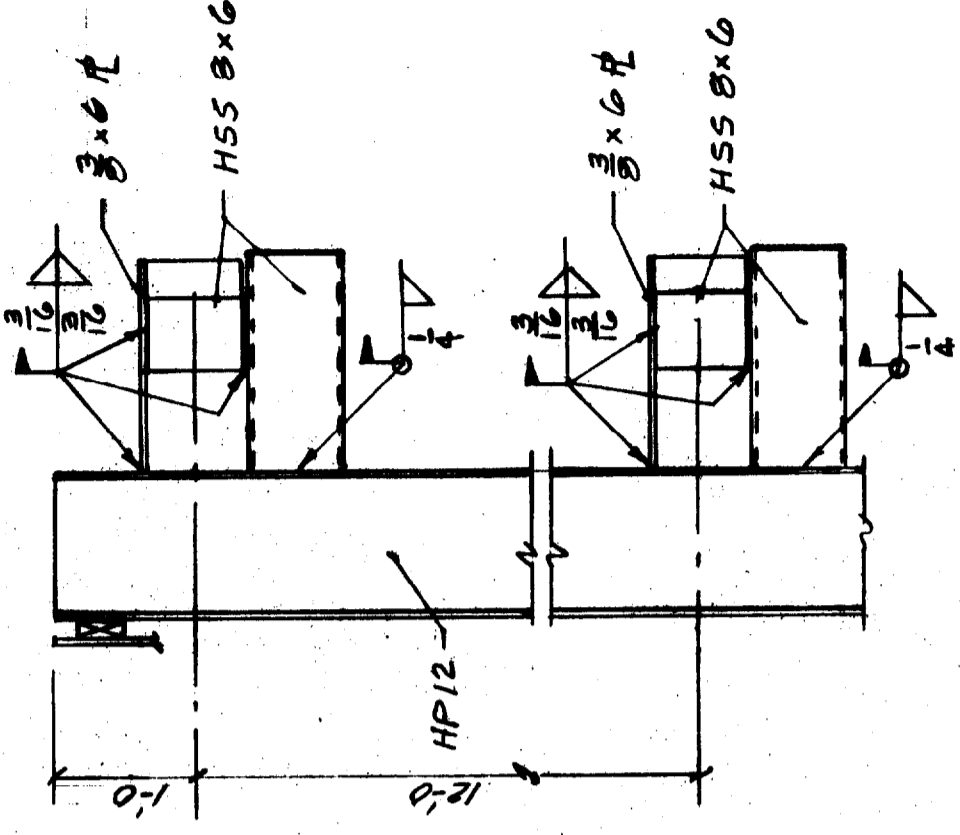
Maine Industrial
 JOSEPH F. NEVILLE, P.E.
 Consulting Structural Engineer
 363 Megquier Hill Road • Poland, ME 04274 • Phone/Fax (207) 998-4066
 Residential Commercial



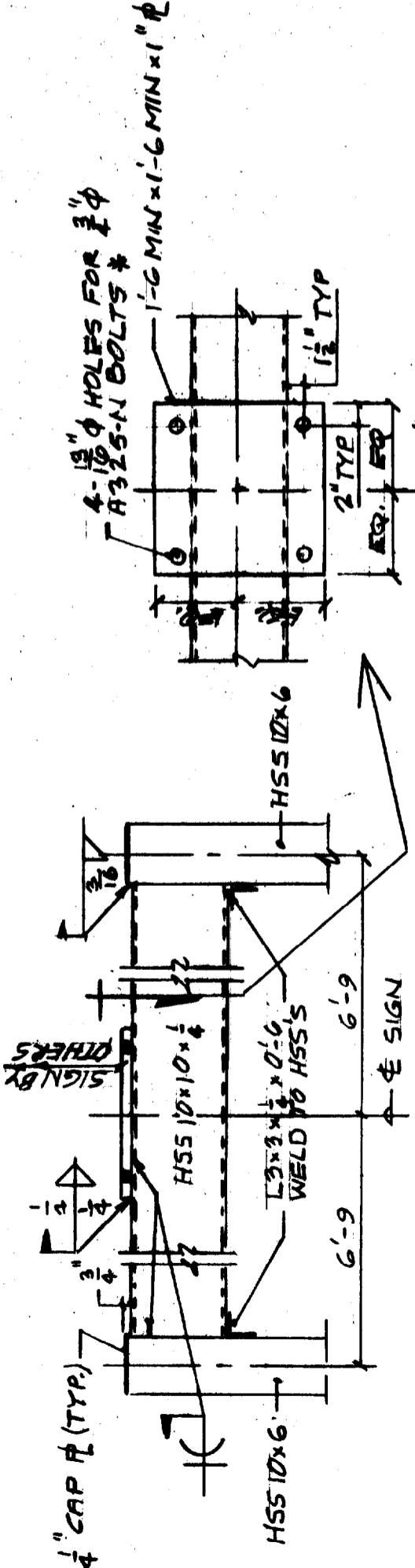
SECTION 1
 3/4" = 1'-0"



SECTION 2
 3/4" = 1'-0"



SECTION 3
 3/4" = 1'-0"

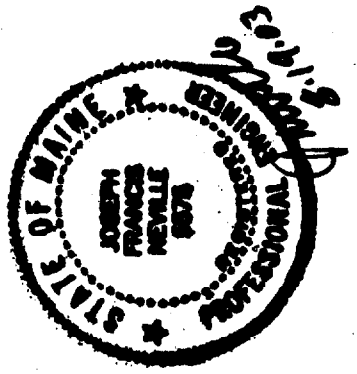


SECTION 4
 3/4" = 1'-0"

* NOTIFY ENGINEER AS TO SIGN MANUFACTURER BOLT SIZE AND PATTERN.

← SIGN

← SIGN

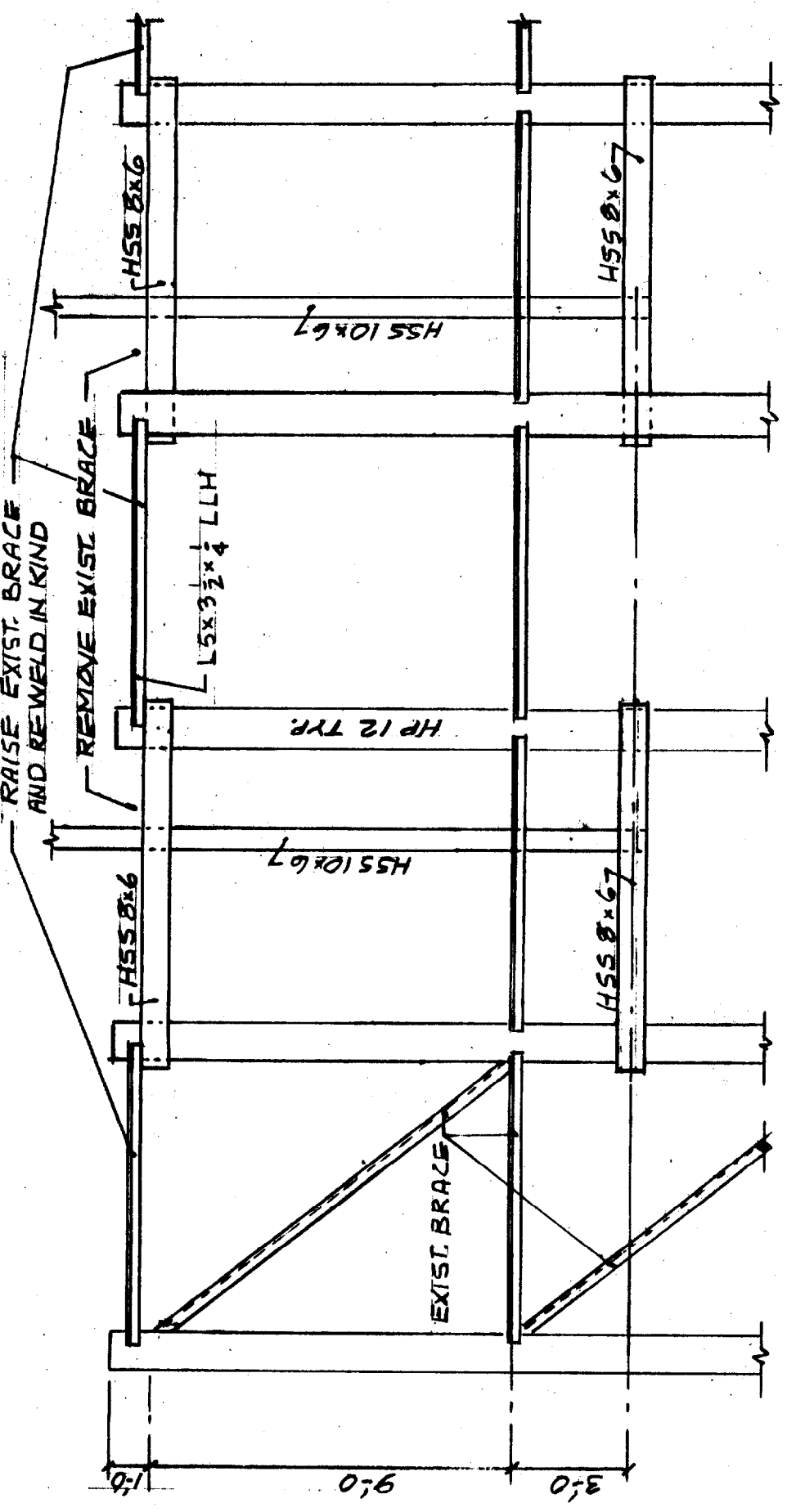


JOSEPH F. NEVILLE, P.E.
 Consulting Structural Engineer
 353 Megquier Hill Road • Poland, ME 04274 • Phone/Fax (207) 998-4086



North

BRACING
 HANNAFORD SIGN AT HADLOCK FIELD
 FOR SIGN SOLUTIONS, PORTLAND, ME
 JOB NO. 03-551 DATE: 8/19/03 SHEET 8/8
 REV. NO. DATE



SECTION 6
 $\frac{1}{8"} = 1'-0"$