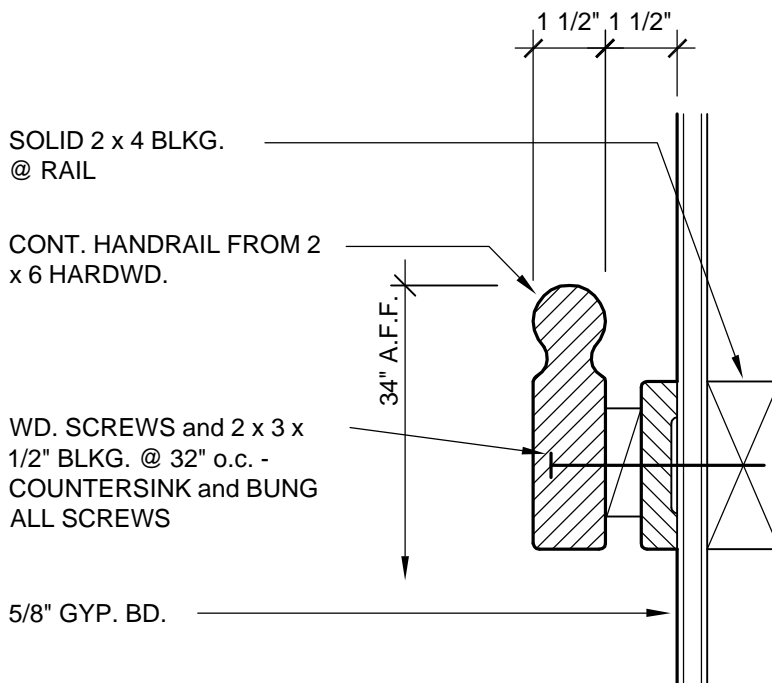


## CHAIR RAIL DETAIL



NOTE:  
FOR LOCATIONS SEE ASK-4.

## HANDRAIL DETAIL

### SEMPLER & DRANE ARCHITECTS

496 CONGRESS STREET  
PORTLAND, MAINE 04101

TEL: (207) 761-4231 FAX: 774-0152  
asemple1@maine.rr.com

### PROJECT:

IRIS PARK APARTMENTS L.P.  
RENOVATION & ADDITIONS  
PORTLAND, ME 04101

DATE: 3/29/05

SCALE: 3"=1'-0"

FILE: 0322

PAGE # 1

SKETCH #

**ASK**  
**5**