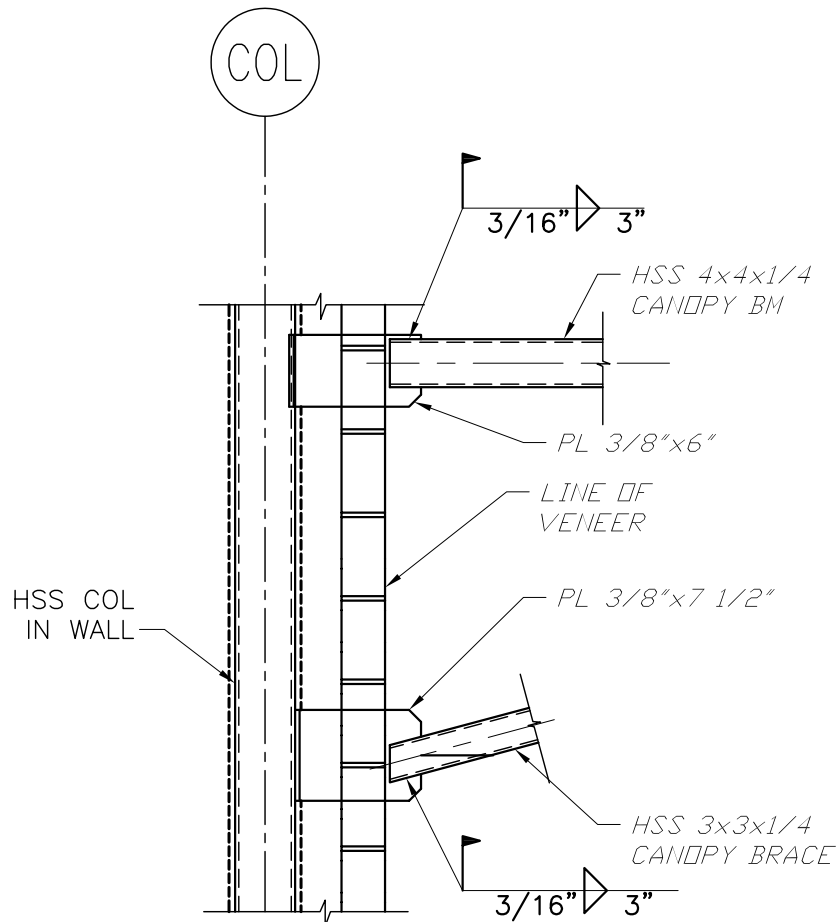


PLAN



SKS-04

CANOPY BEAM
AND BRACE CONNECTION

IRIS NETWORK
PORTLAND, MAINE

Scale: 3/4" = 1'-0"

Project No: 03066

Date: MARCH 28, 2005

CAD File: JGM-03066S.DWG

allied
engineering, inc.

One Westbrook Common, Westbrook, Maine 04092-2804
Telephone No: 207-854-8126 • Fax No: 207-854-0603
E-Mail: info@allied-eng.com • www.allied-eng.com

