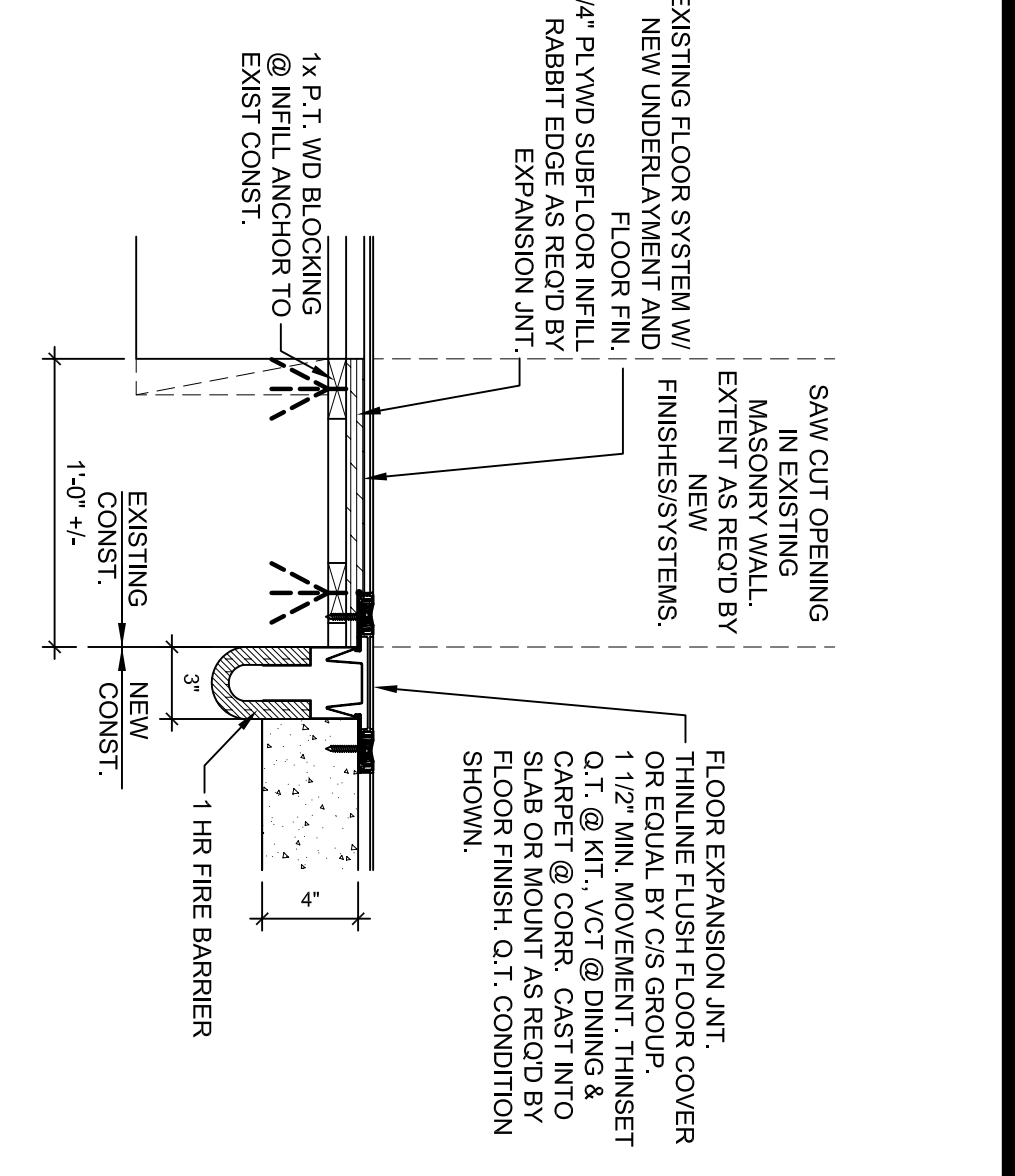
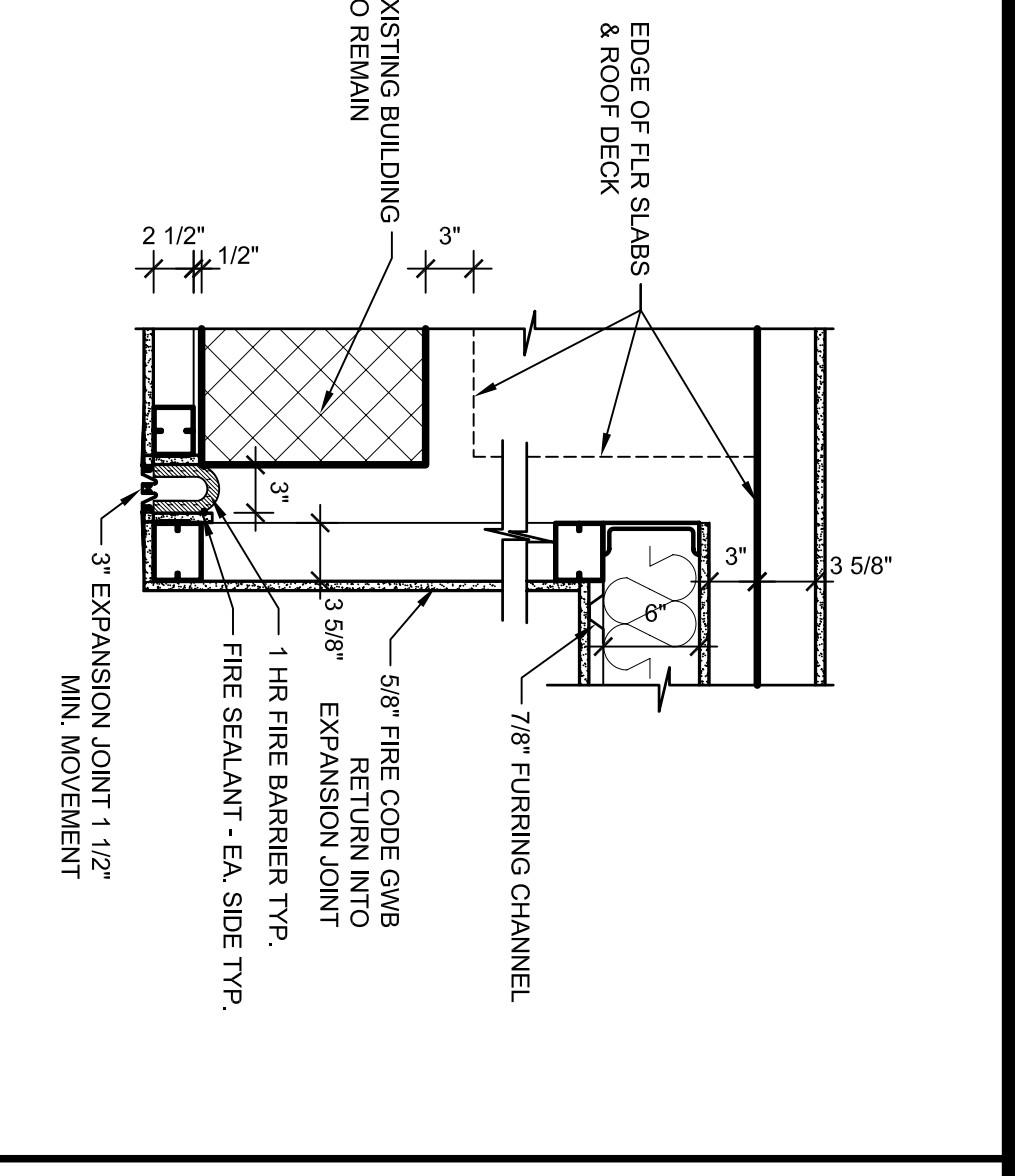


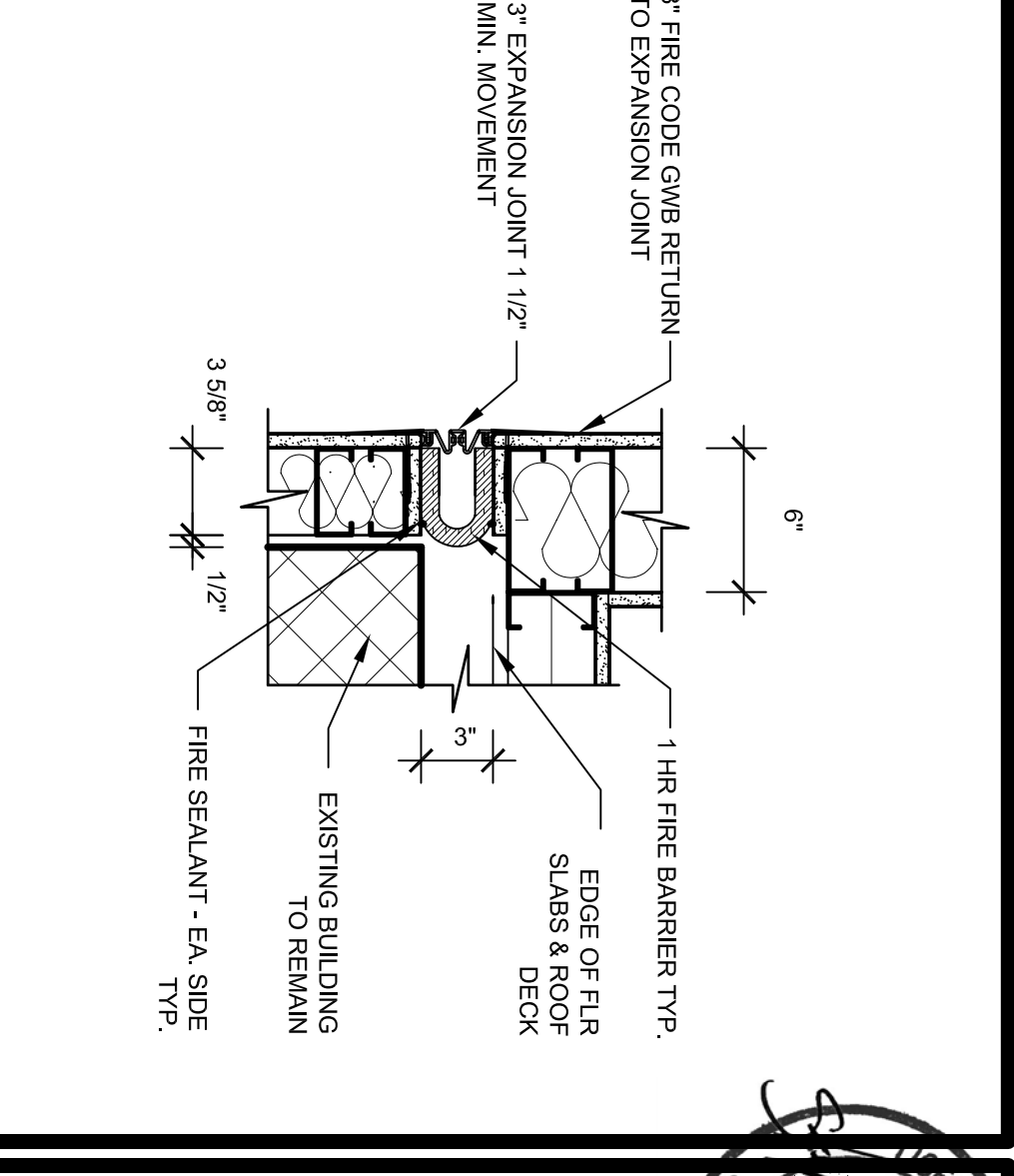
A5 DEFL. JT. DTL. @ JOIST/ BEAM. - SCALE: 1 1/2"=1'-0"



A4 SECTION @ EXP. JT. - SCALE: 1 1/2"=1'-0"



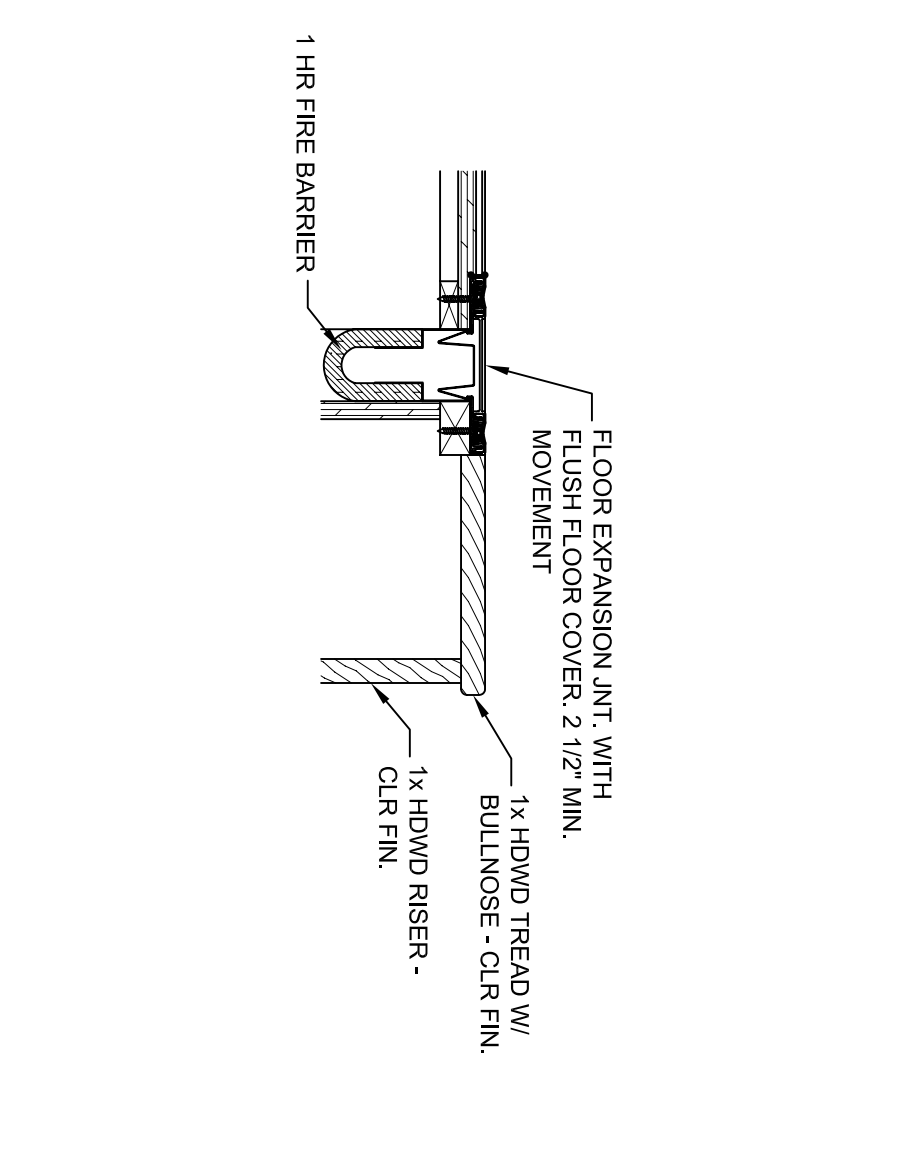
A3 PLAN DETAIL - SCALE: 1"=1'-0"



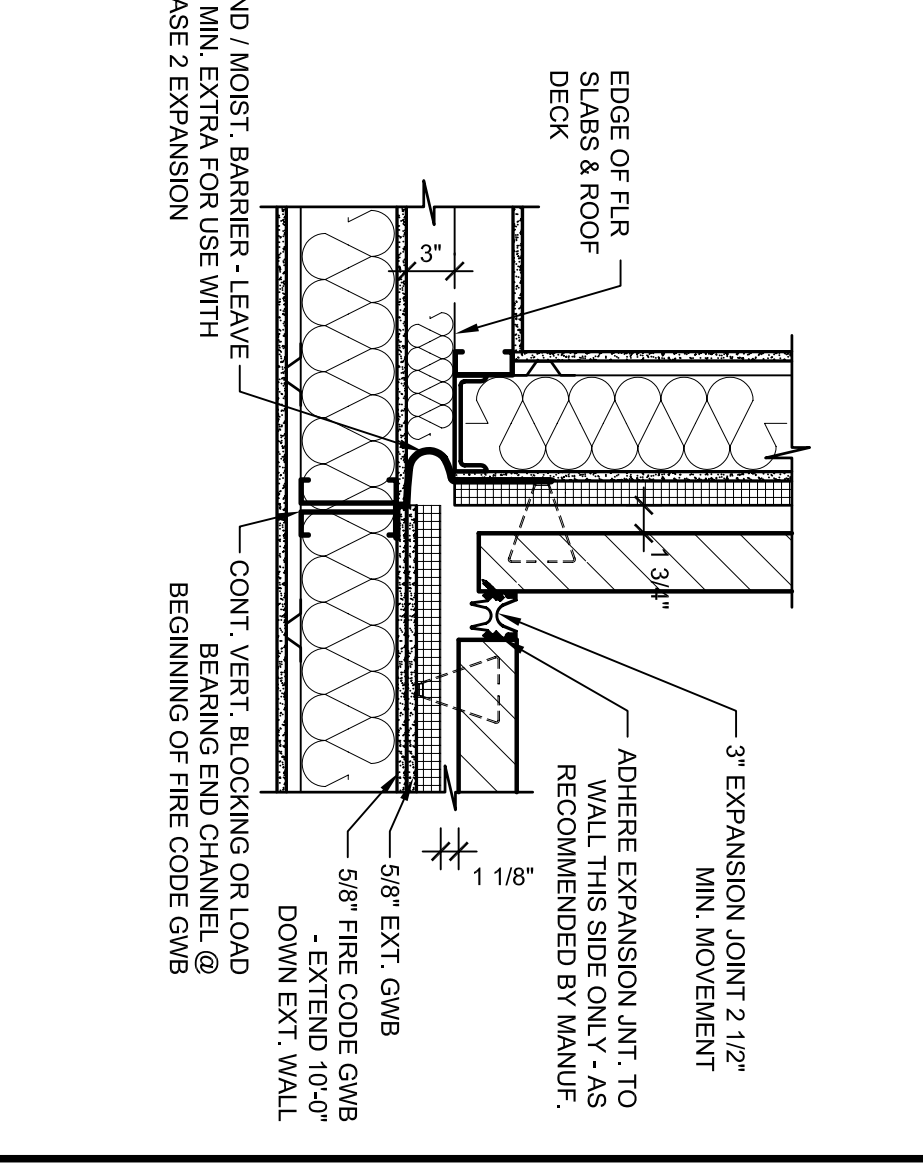
A2 PLAN DETAIL - SCALE: 1 1/2"=1'-0"



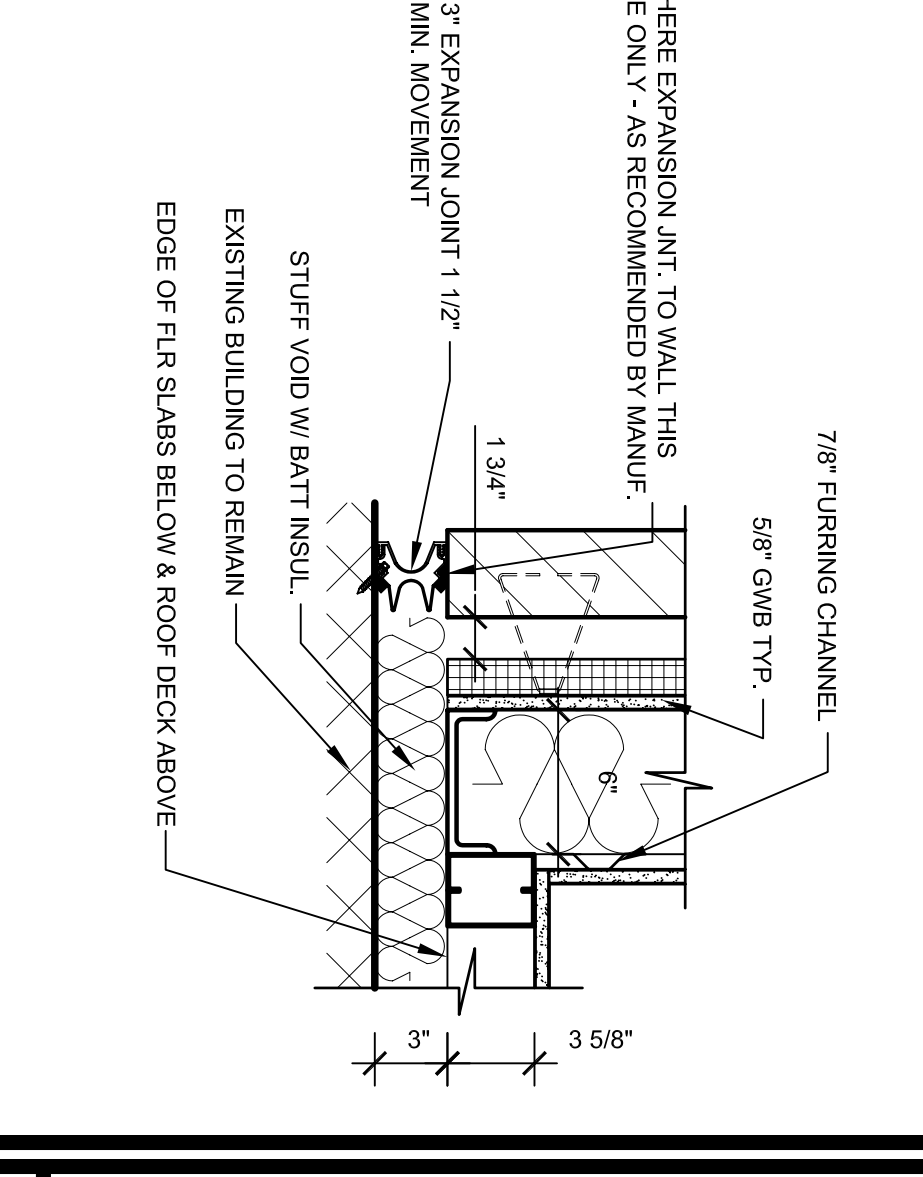
B5 SECTION @ EXP. JT. @ STAIR - SCALE: 1 1/2"=1'-0"



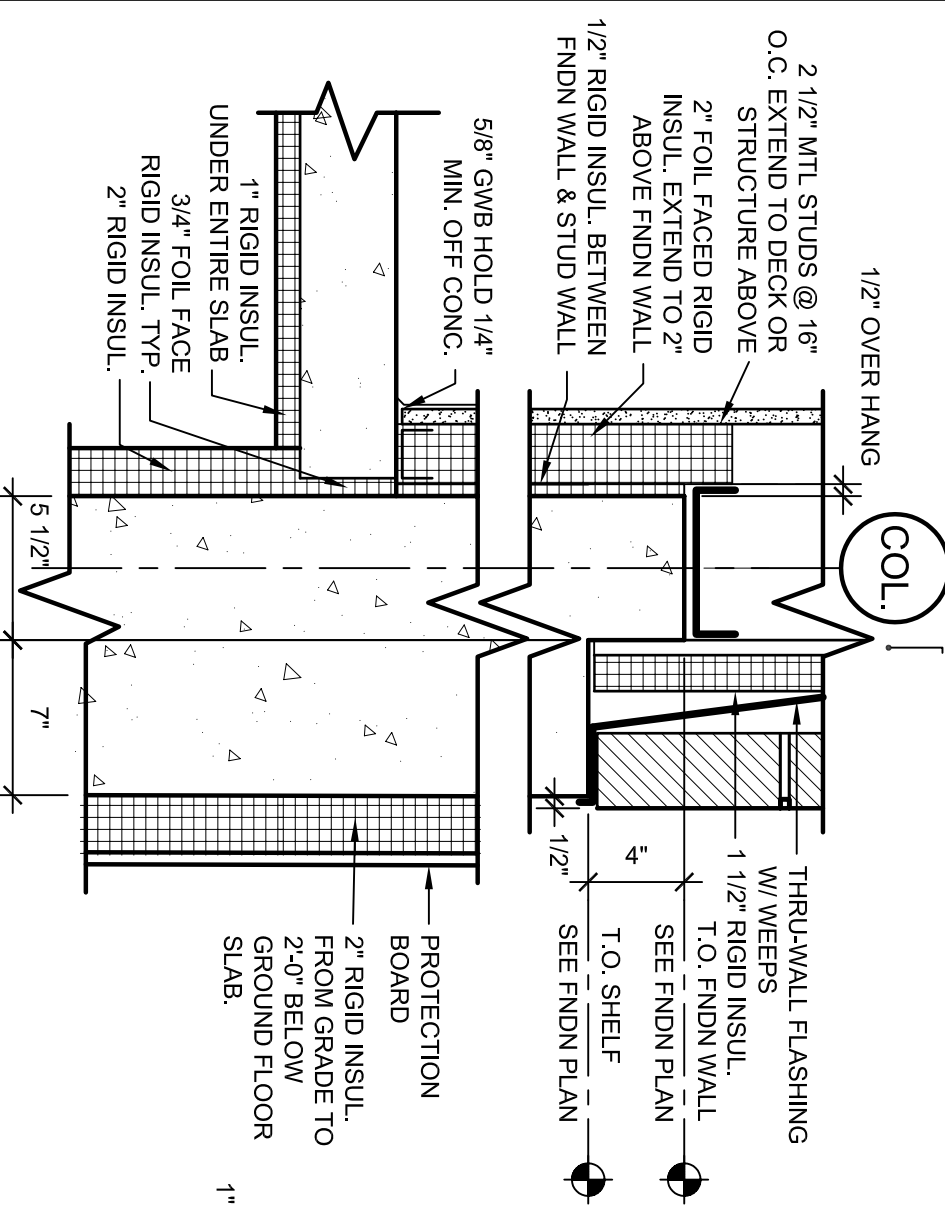
B4 PLAN DETAIL - SCALE: 1"=1'-0"



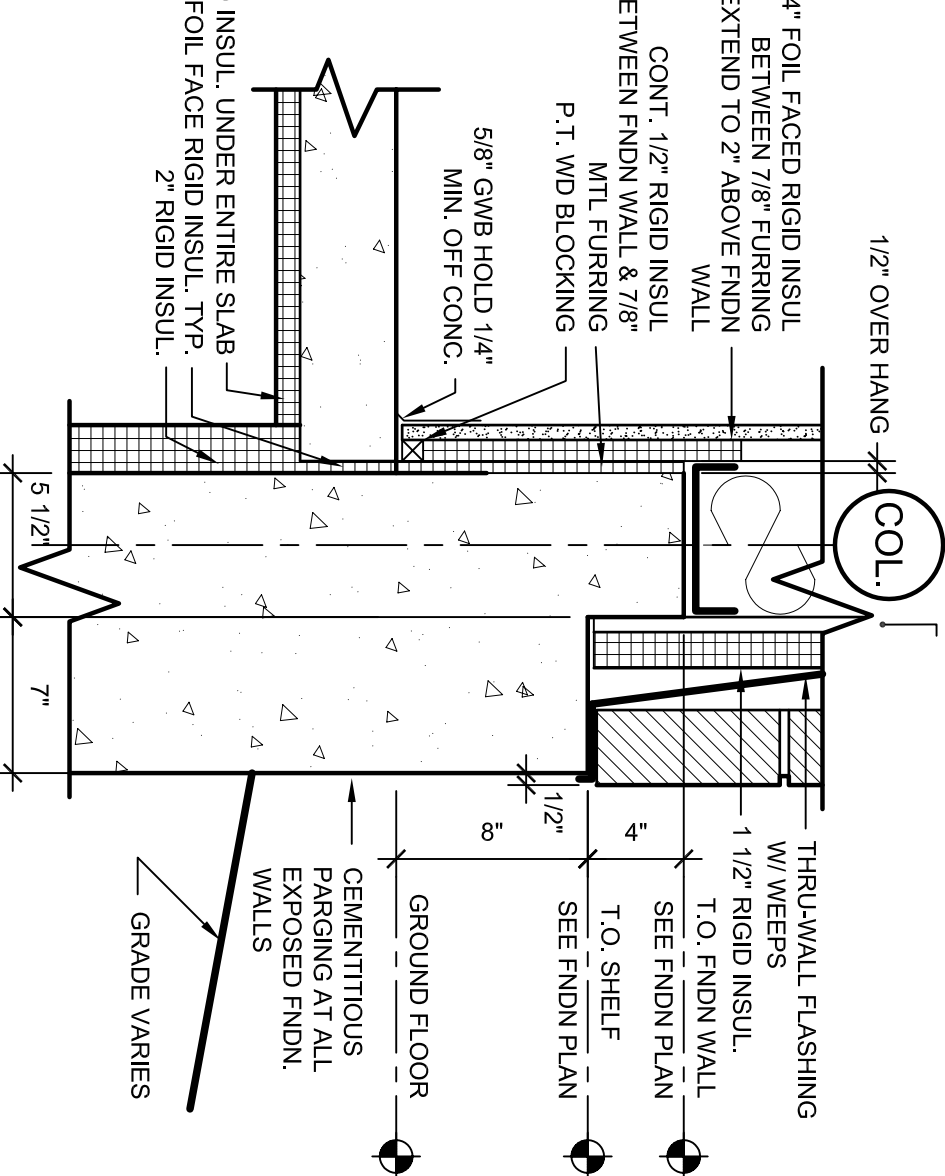
B3 PLAN DETAIL - SCALE: 1"=1'-0"



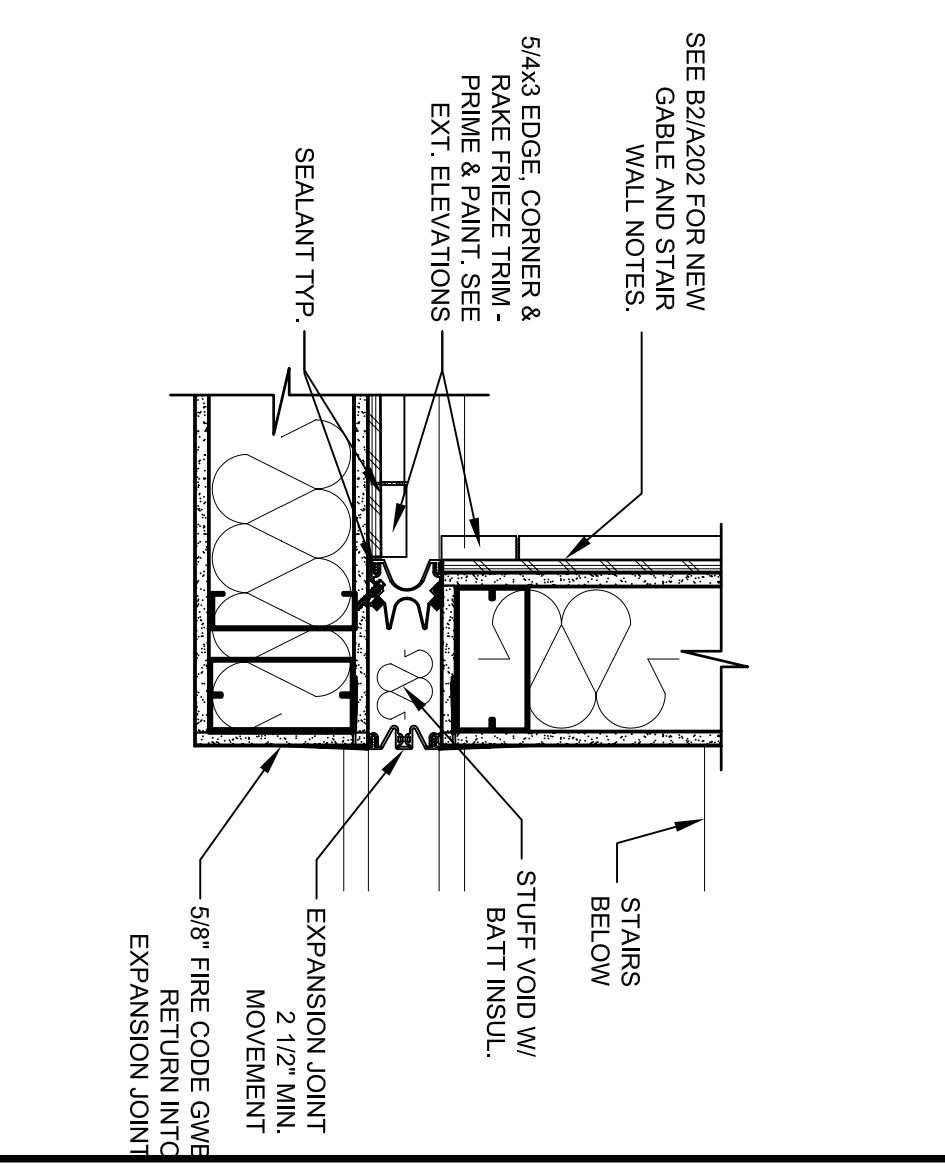
B2 PLAN DETAIL - SCALE: 1 1/2"=1'-0"



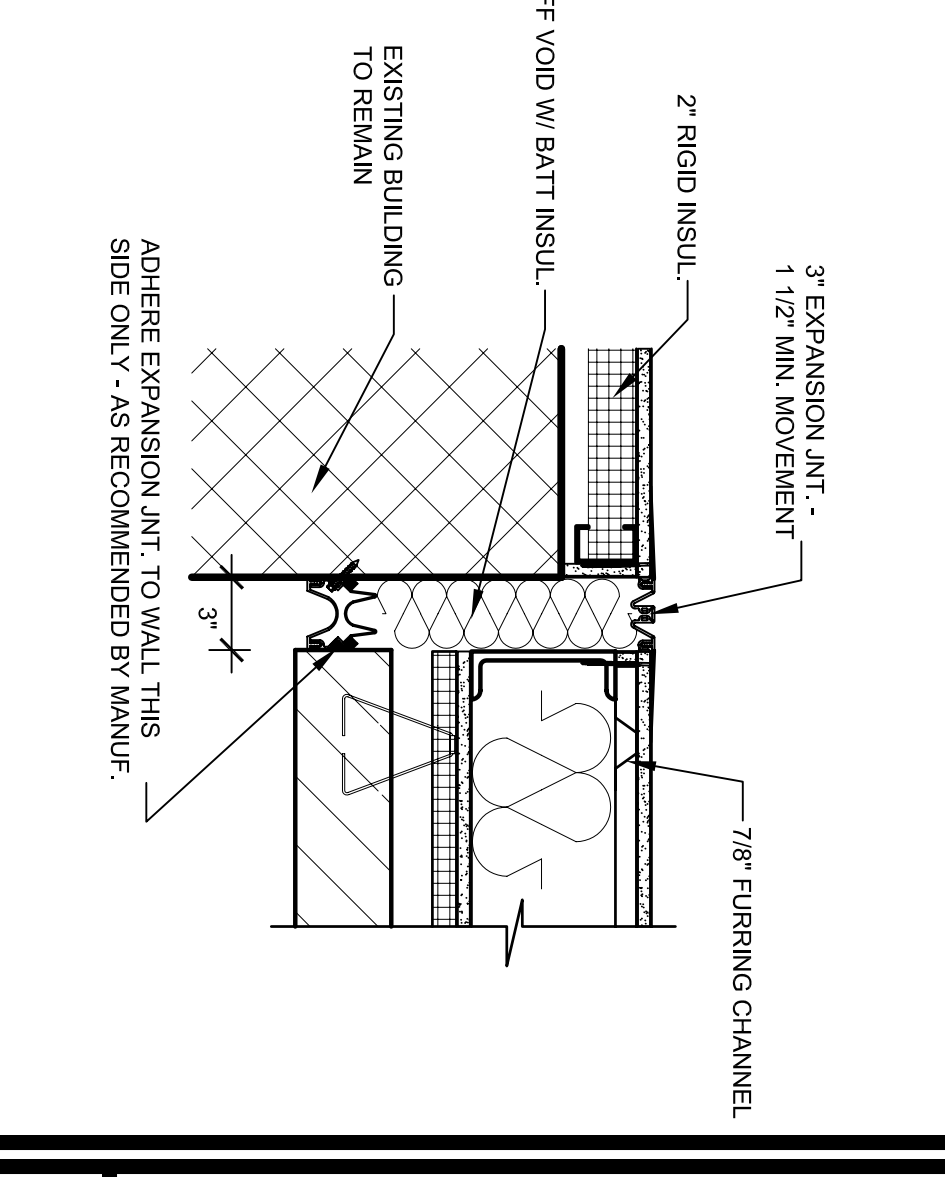
C5 FDND WALL @ SOUTH EAST CORNER - 1 1/2"=1'-0"



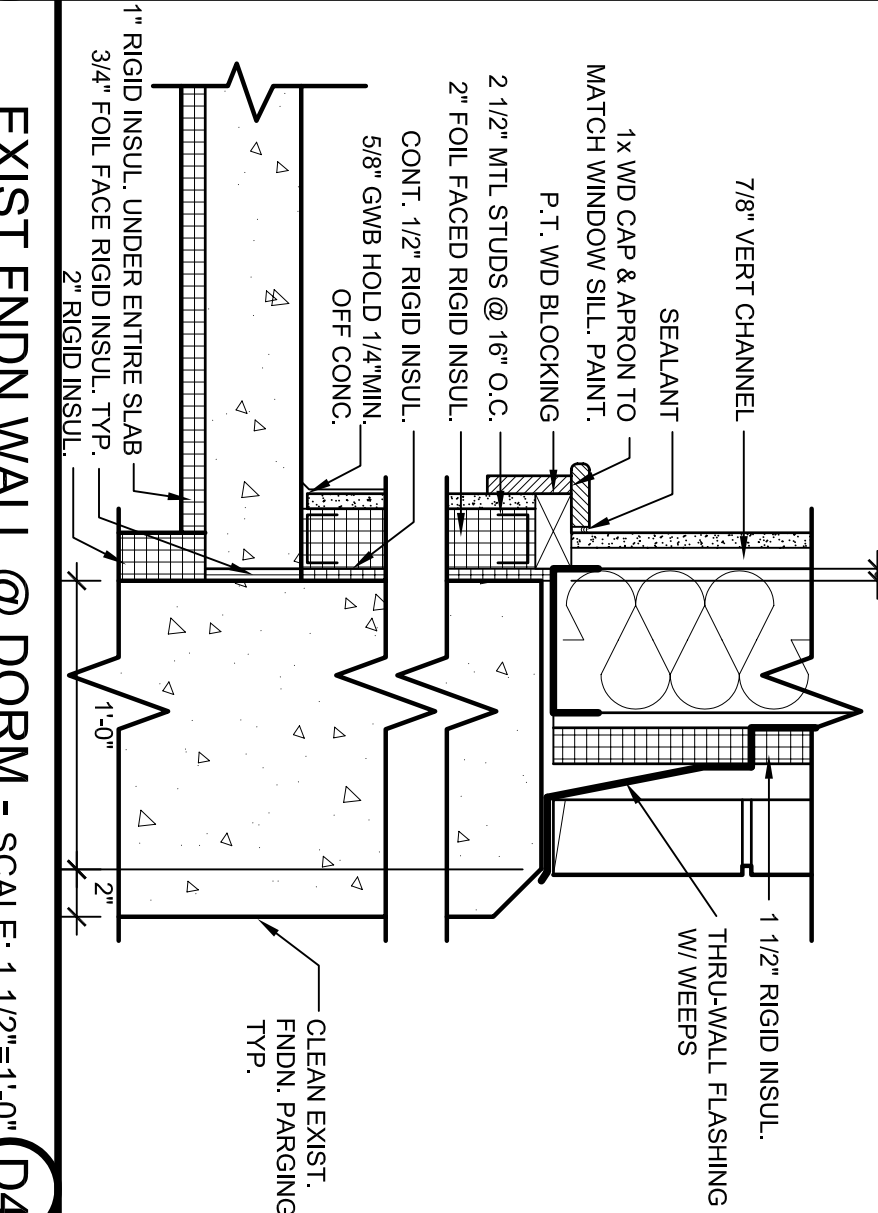
C4 TYP FDND WALL - SCALE: 1 1/2"=1'-0"



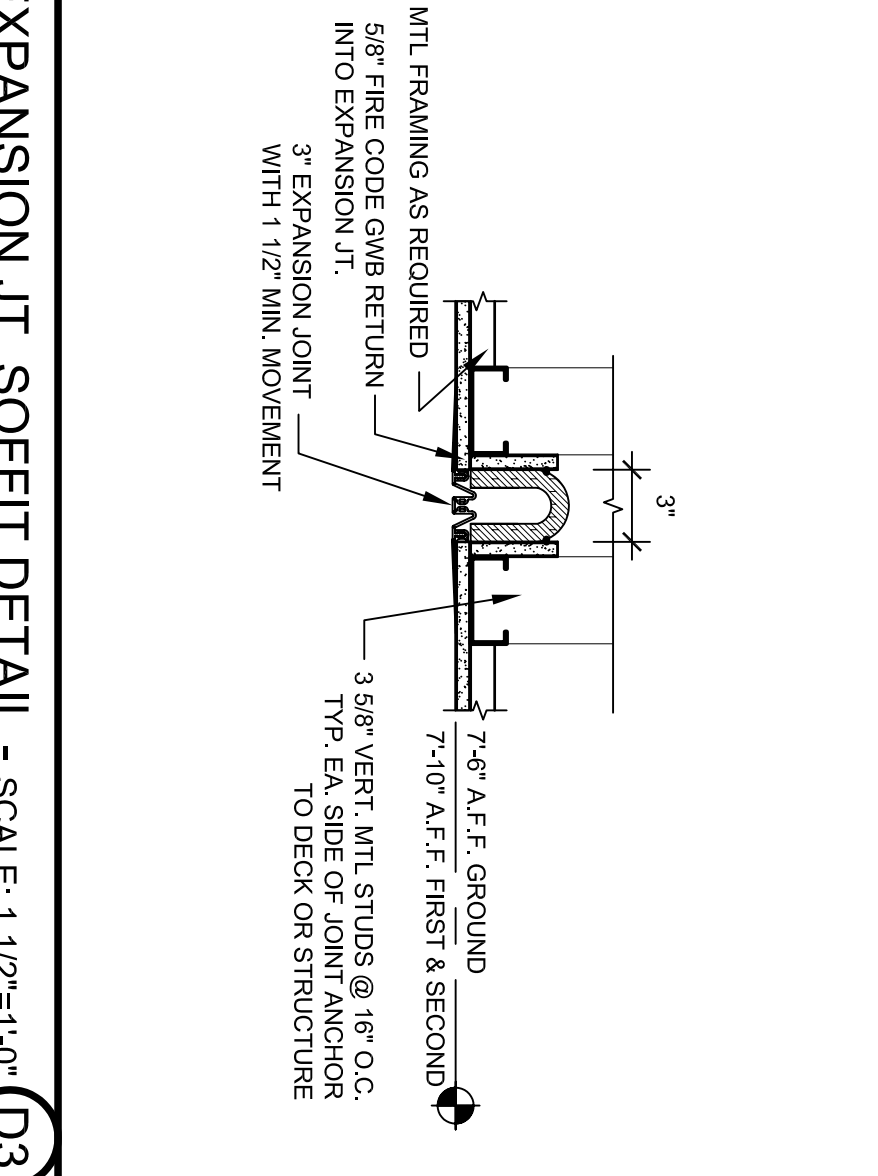
C3 PLAN DTL @ NEW STAIR & GABLE WALL - SCALE: 1 1/2"=1'-0"



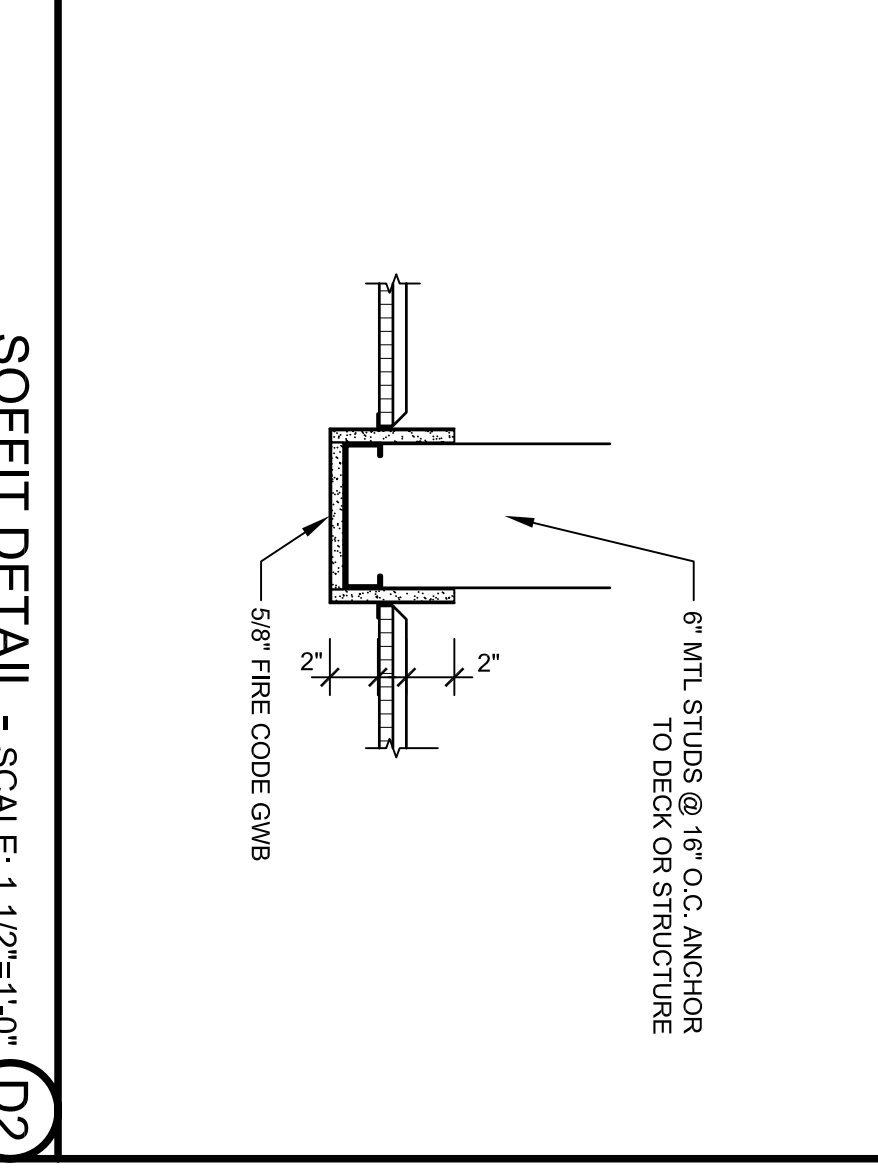
C2 PLAN DETAIL - SCALE: 1 1/2"=1'-0"



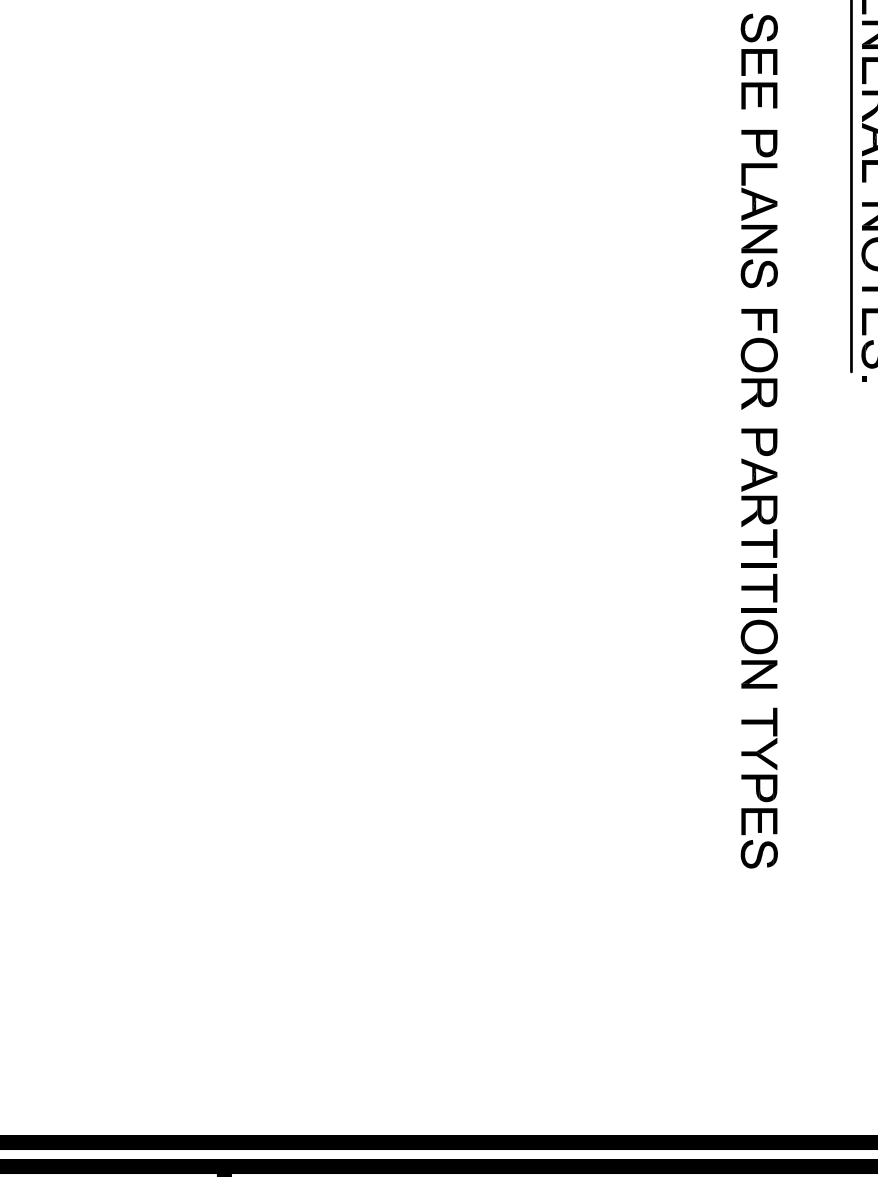
D5 EXIST FNDN WALL @ DORM - SCALE: 1 1/2"=1'-0"



D4 EXPANSION JT. SOFFIT DETAIL - SCALE: 1 1/2"=1'-0"



D3 SOFFIT DETAIL - SCALE: 1 1/2"=1'-0"



D2 GENERAL NOTES: 1. SEE PLANS FOR PARTITION TYPES

ARCHITECT: SEMPLE & DRANE ARCHITECTS
496 CONGRESS STREET
PORTLAND, MAINE 04101
(207) 761-4231
asemple1@maine.rr.com

OWNER: IRIS NETWORK
PORTLAND, ME 04101

PROJECT: IRIS PARK APARTMENTS L.P.
RENOVATION & ADDITIONS
PORTLAND, ME 04101

DRAWING: PLAN & MISC DETAILS
SCALE: AS NOTED
DATE: MARCH 21, 2005

A400

