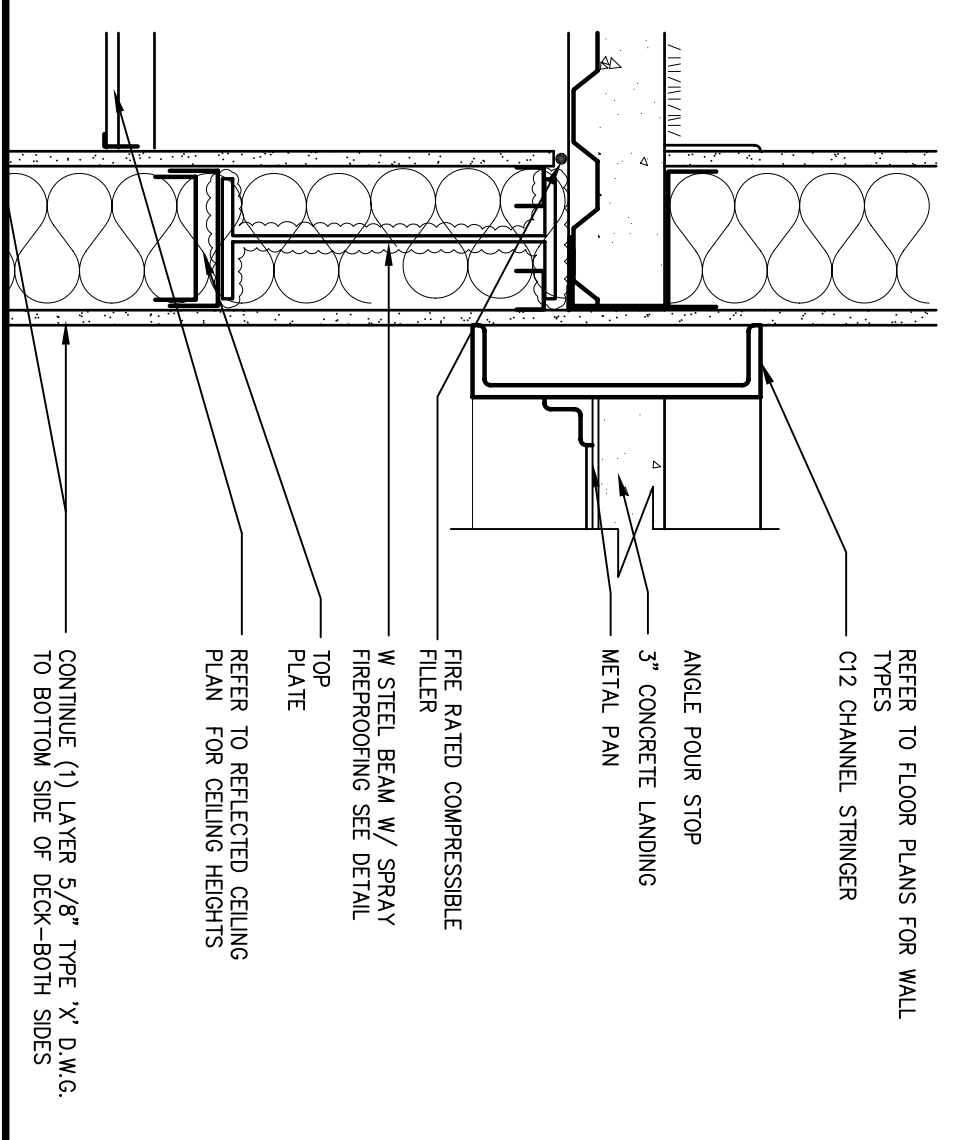
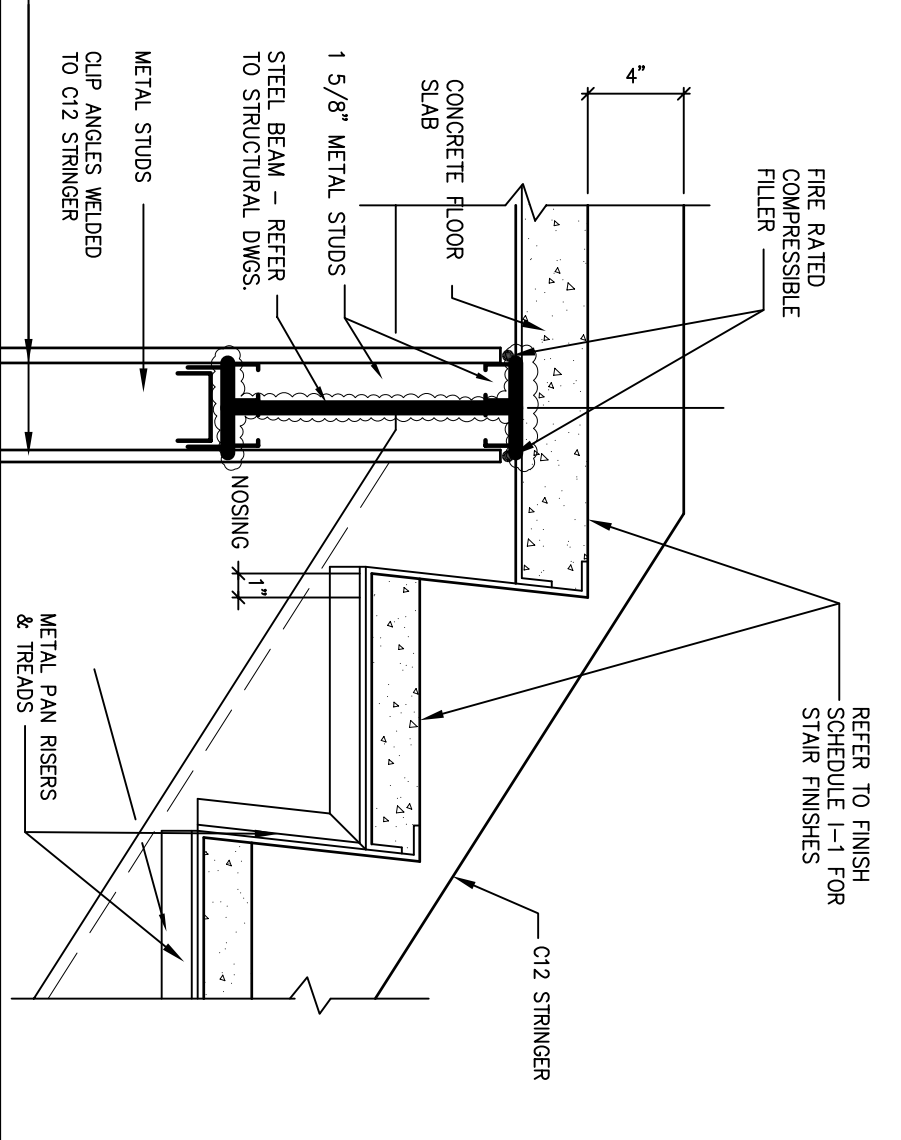


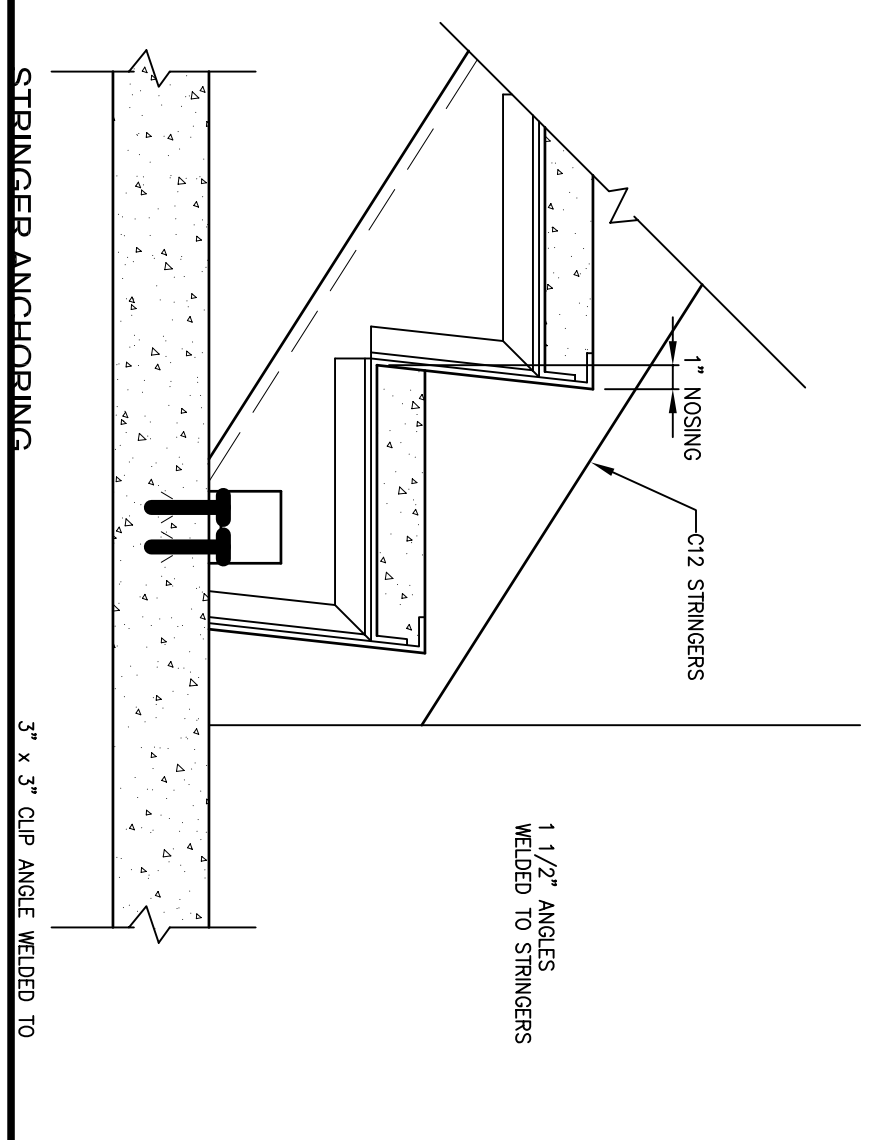
STAIR LANDING DETAIL



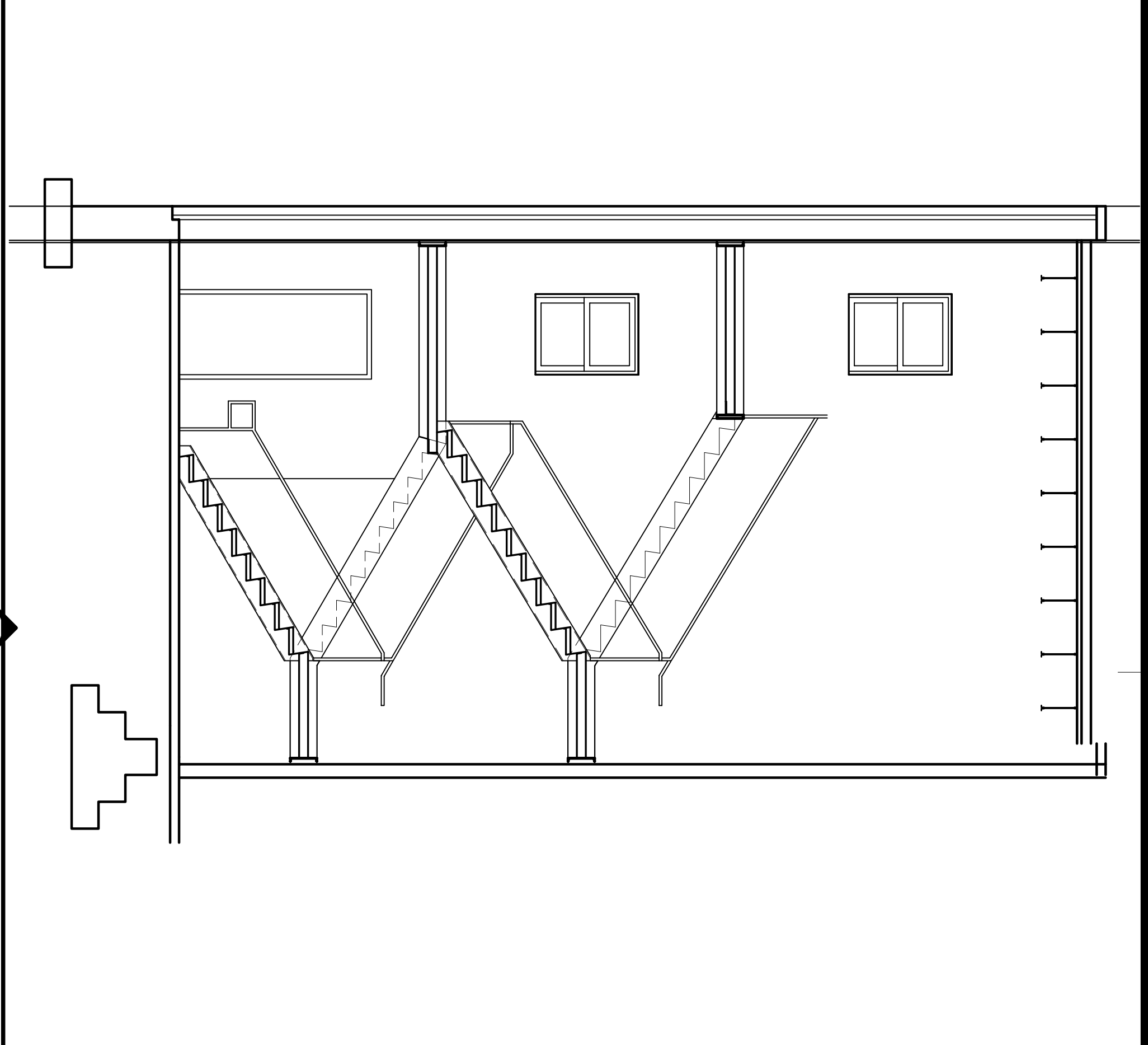
STAIR LANDING DETAIL



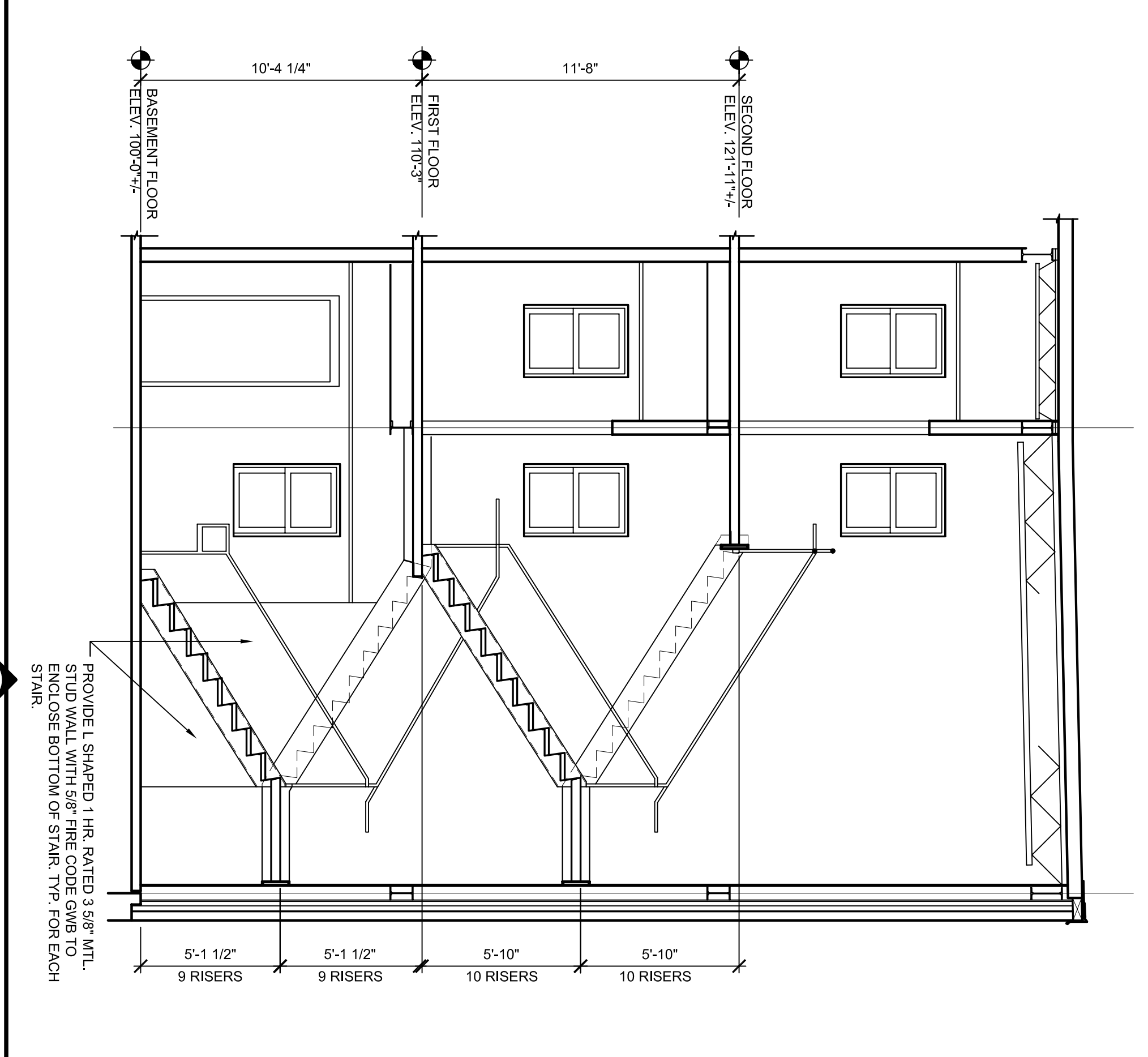
STAIR LANDING DETAIL



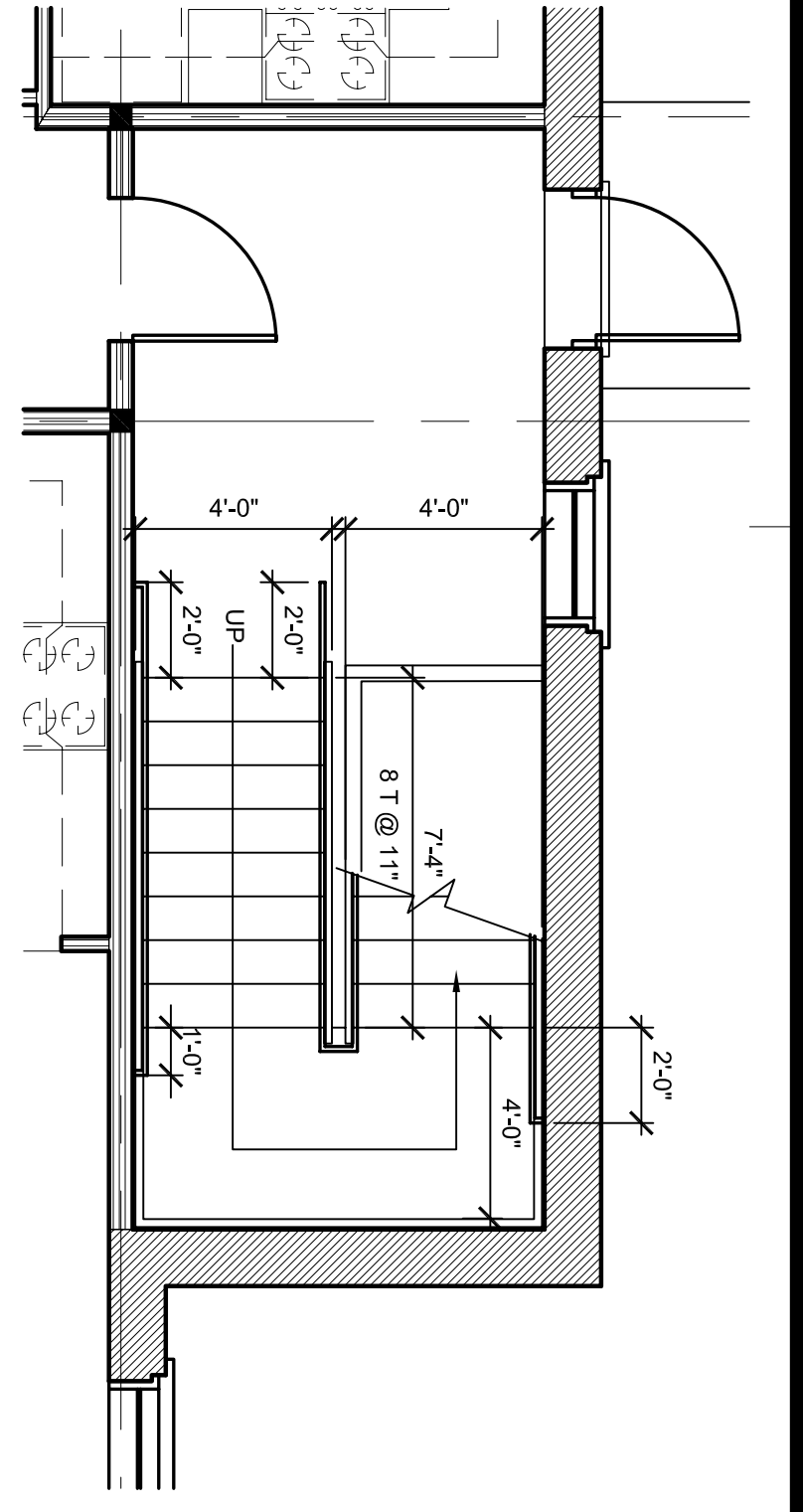
STRINGER ANCHOR DETAIL



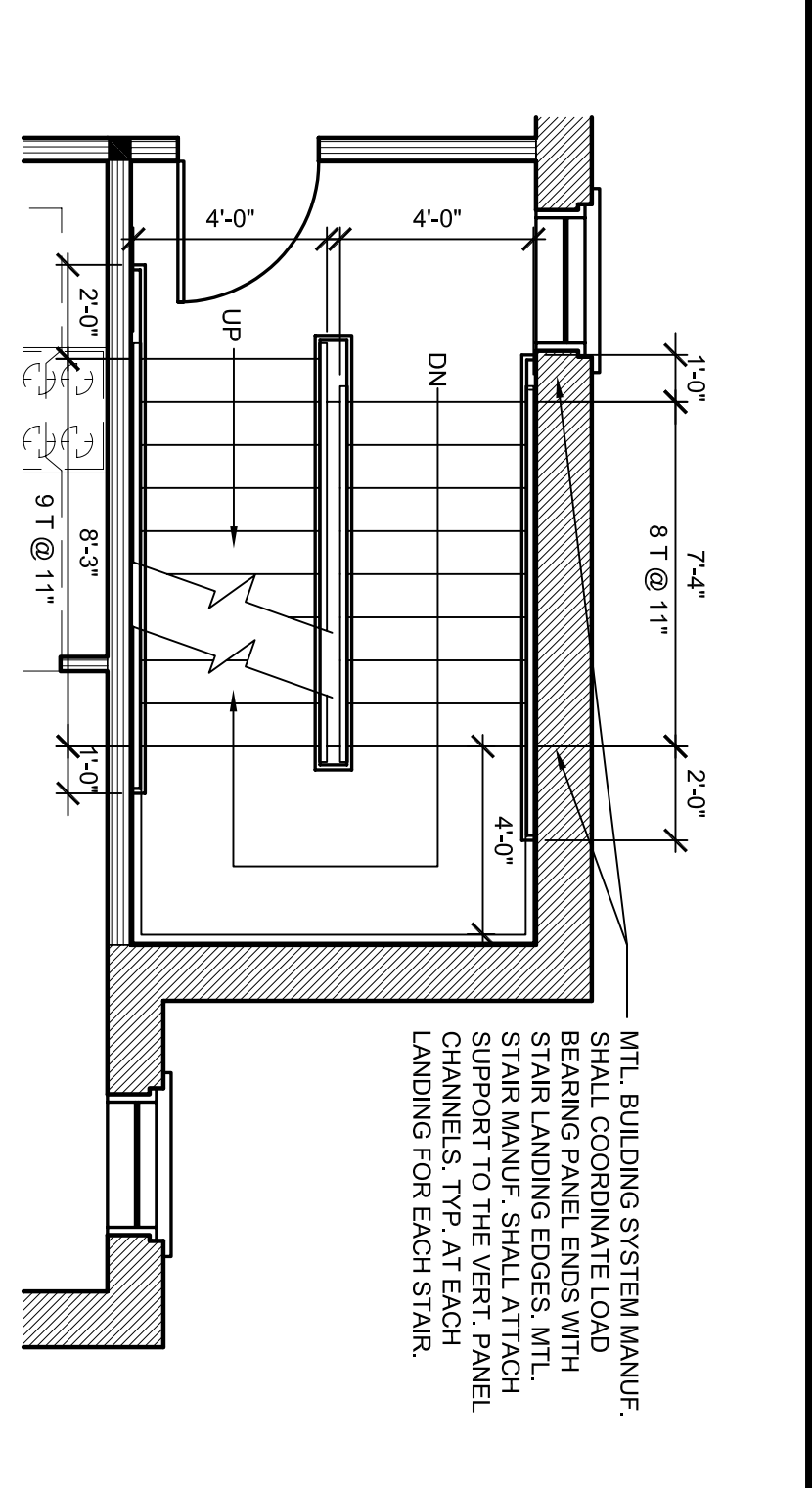
SECTION @ STAIRS #1



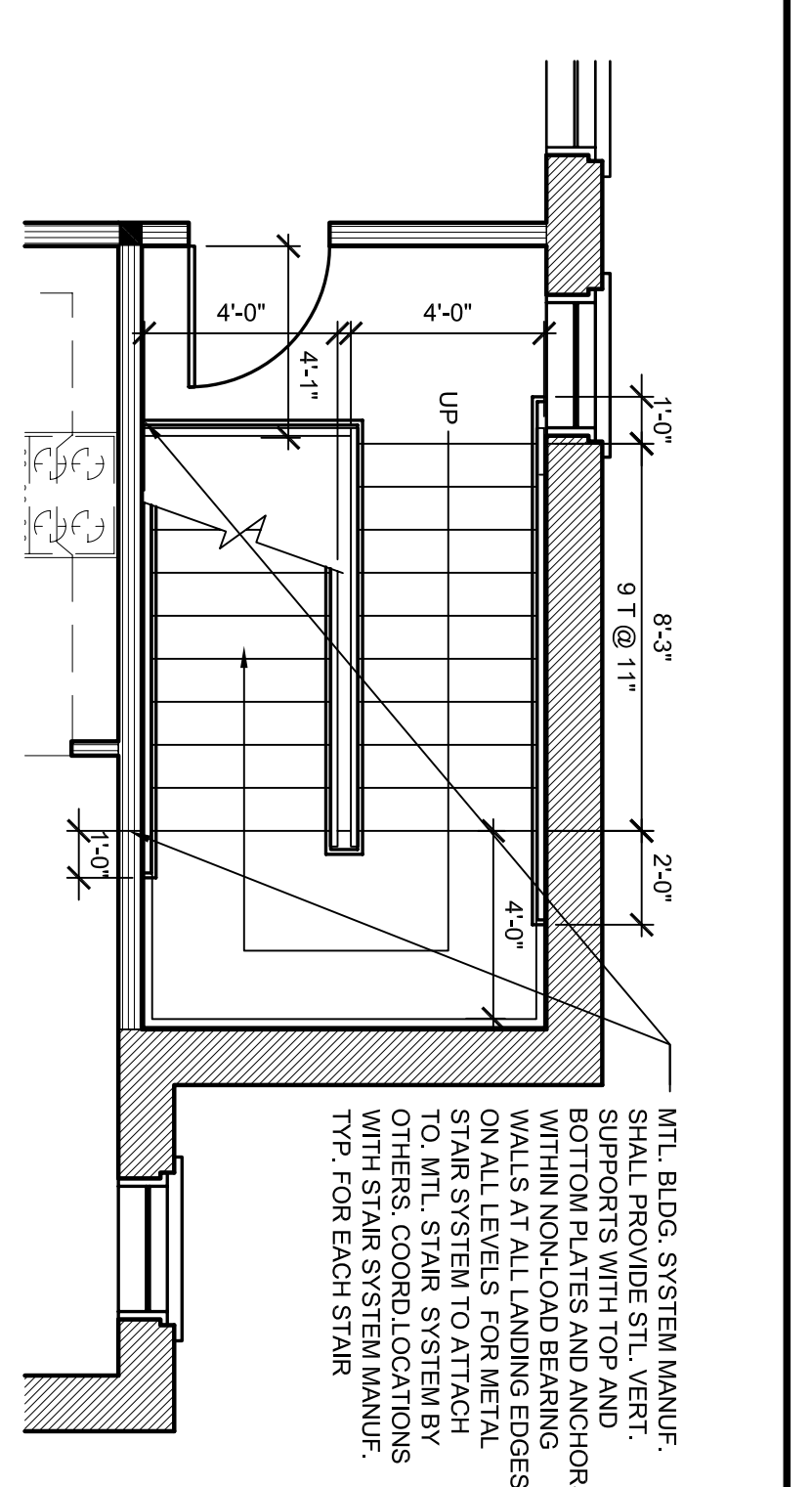
SECTION @ STAIRS #2



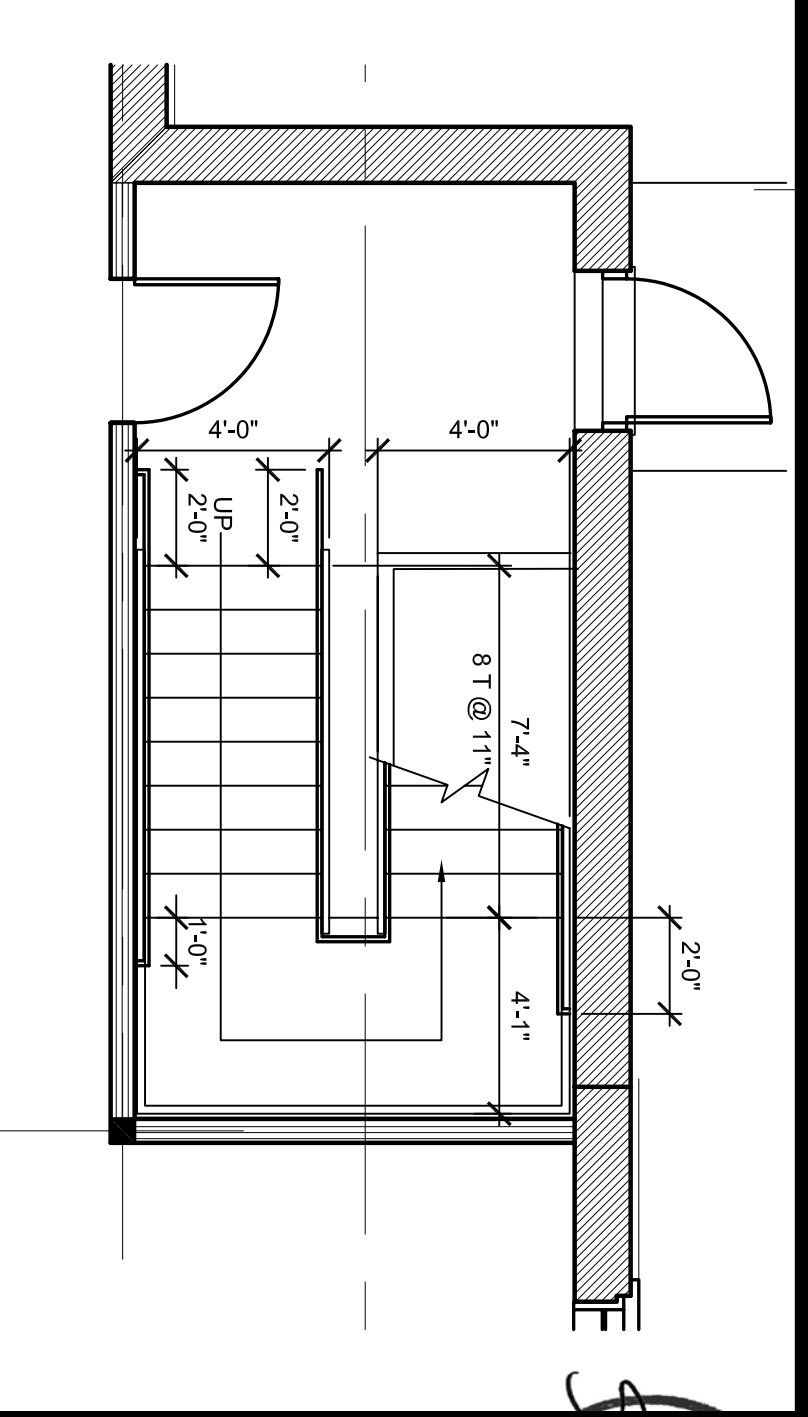
STAIRS #2 - BASEMENT FLOOR



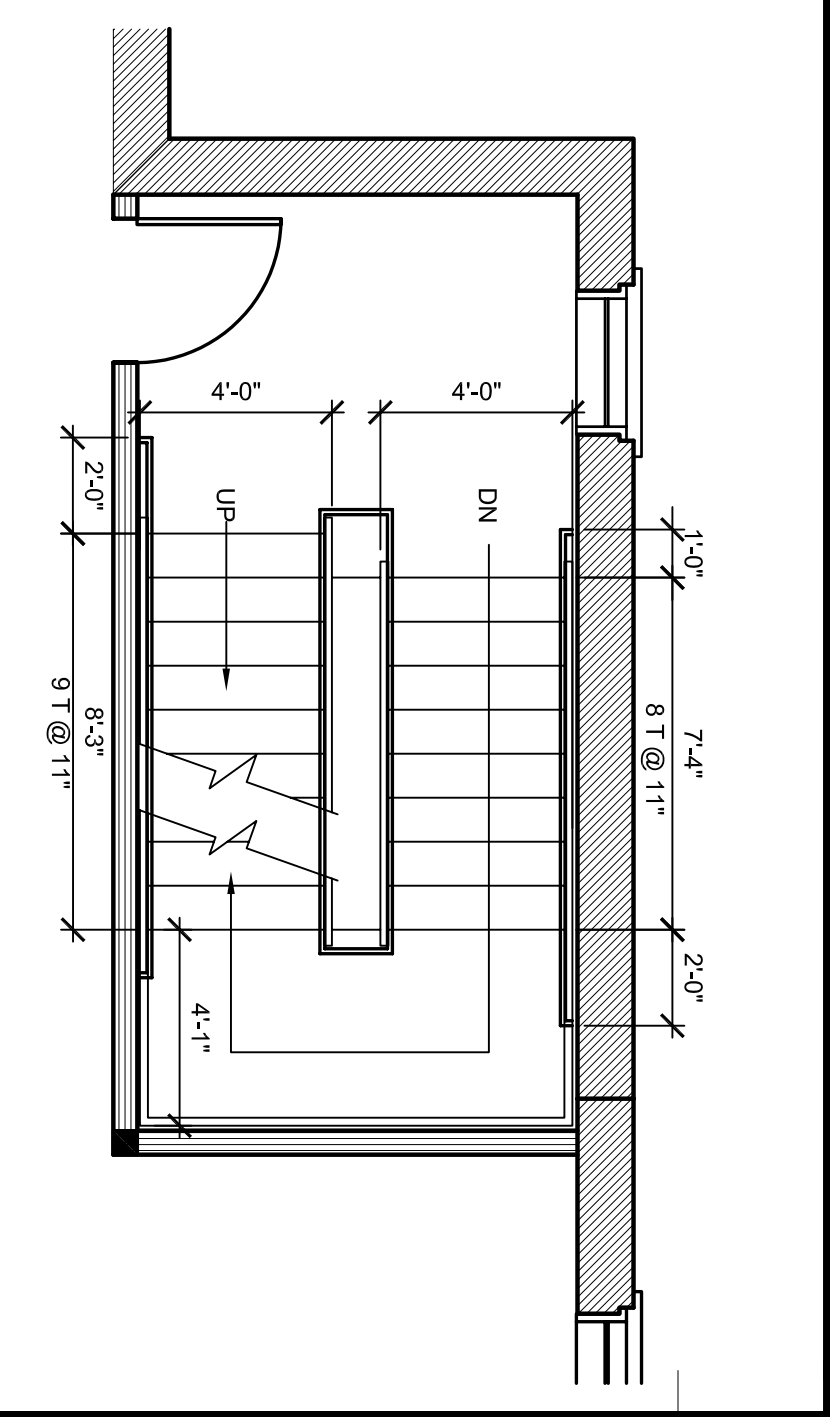
STAIRS #2 - FIRST FLOOR



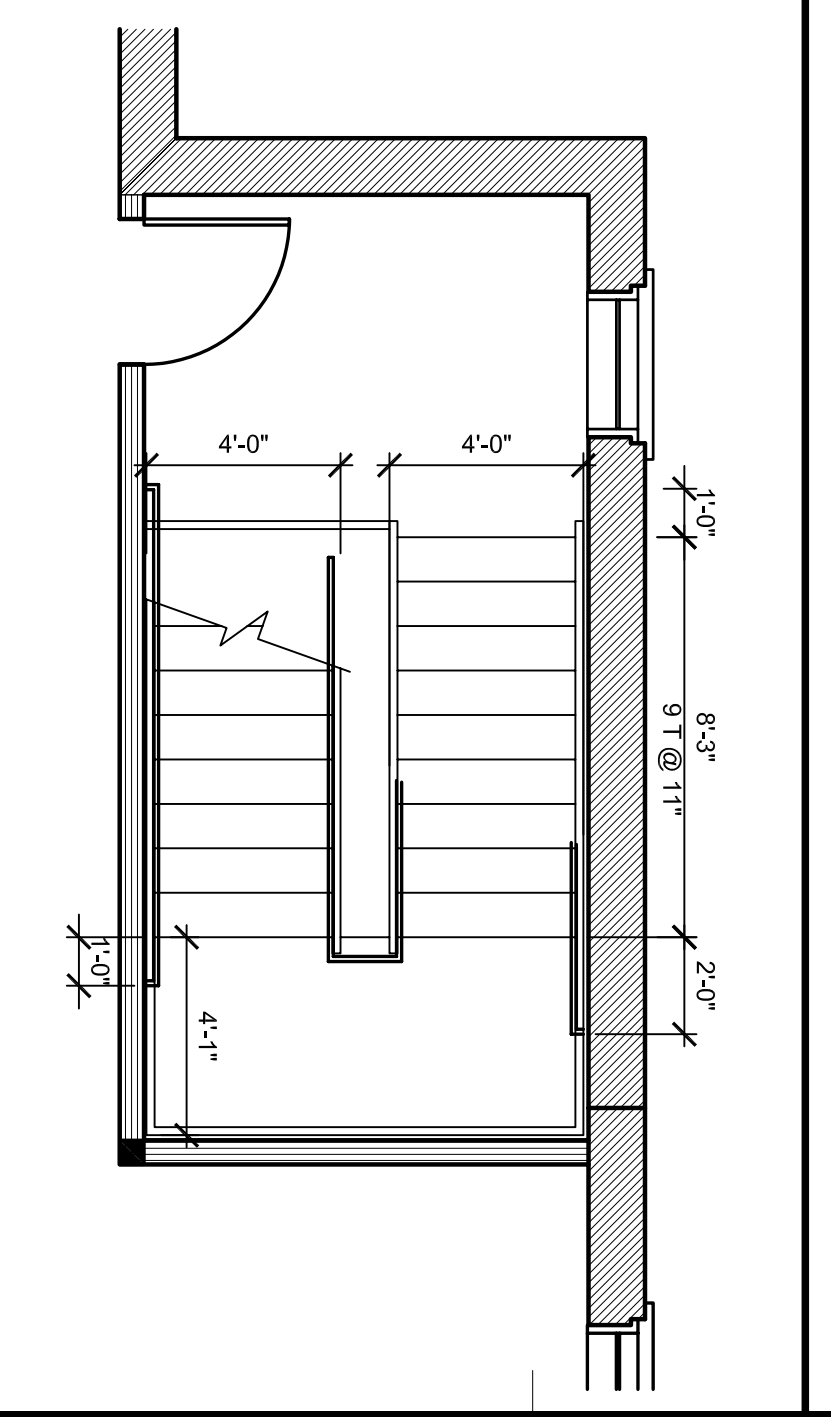
STAIRS #2 - SECOND FLOOR



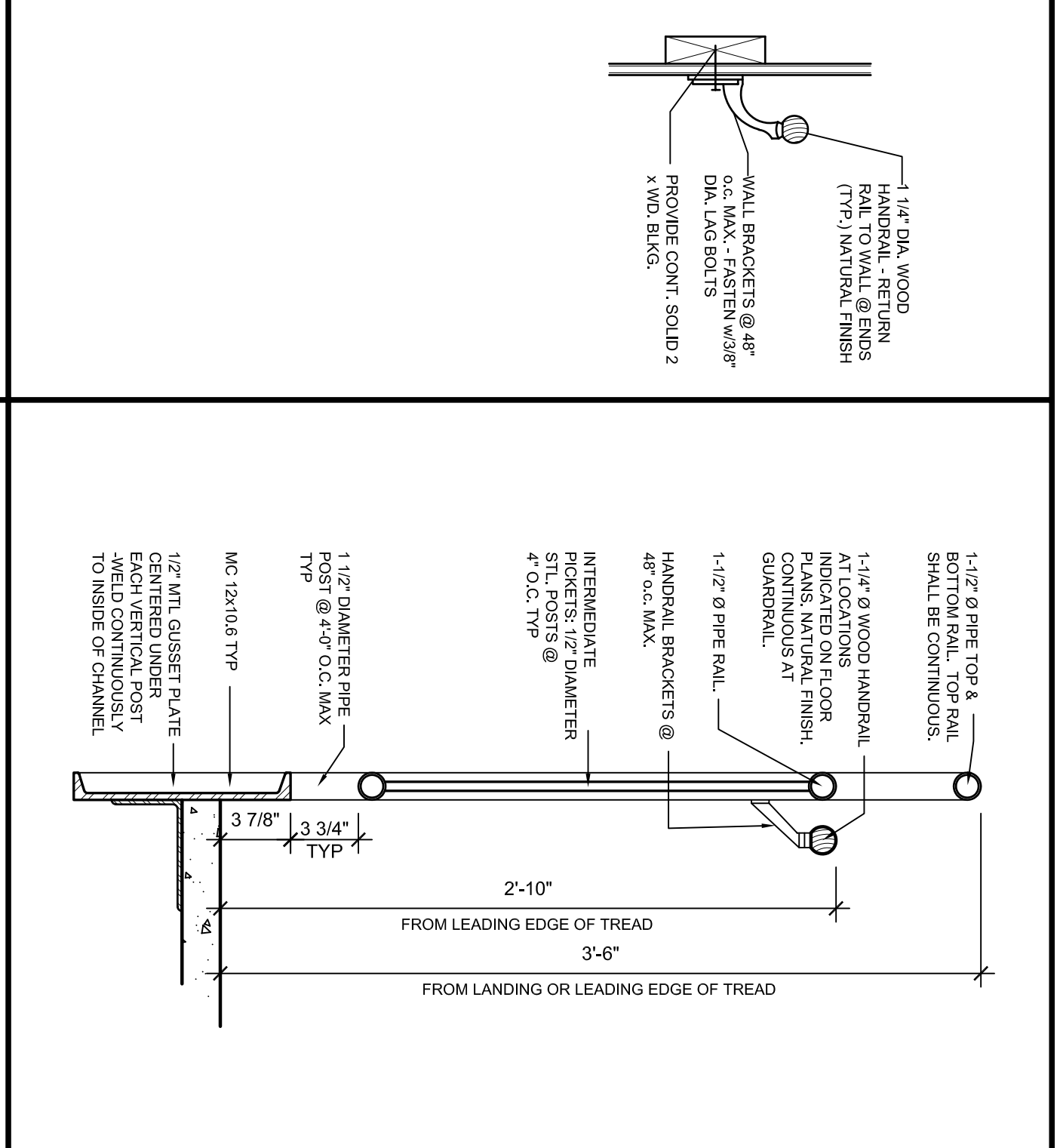
STAIRS #1 - BASEMENT FLOOR



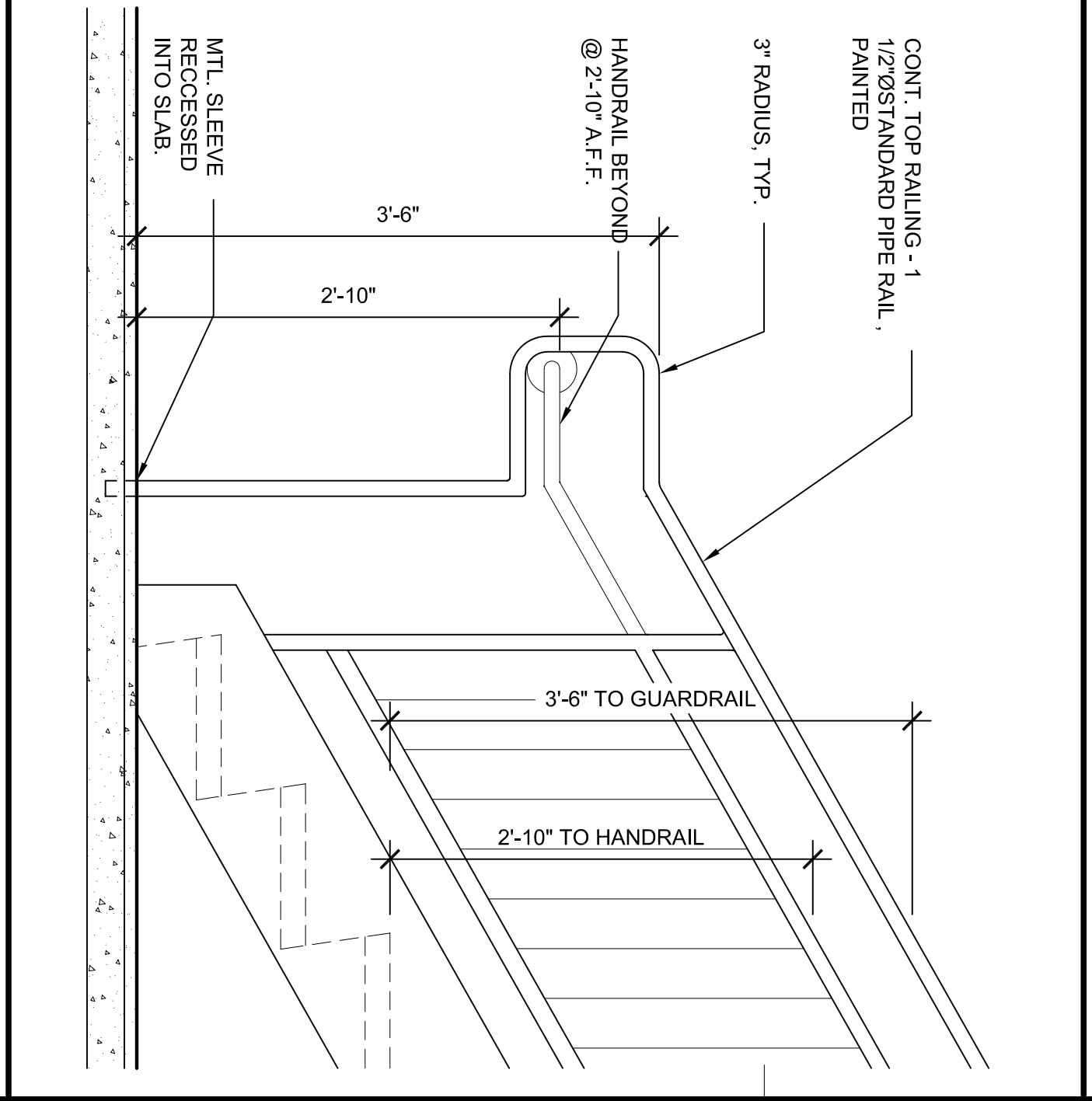
STAIRS #1 - FIRST FLOOR



STAIRS #1 - SECOND FLOOR



HANDRAIL DETAIL



HANDRAIL END DETAIL

