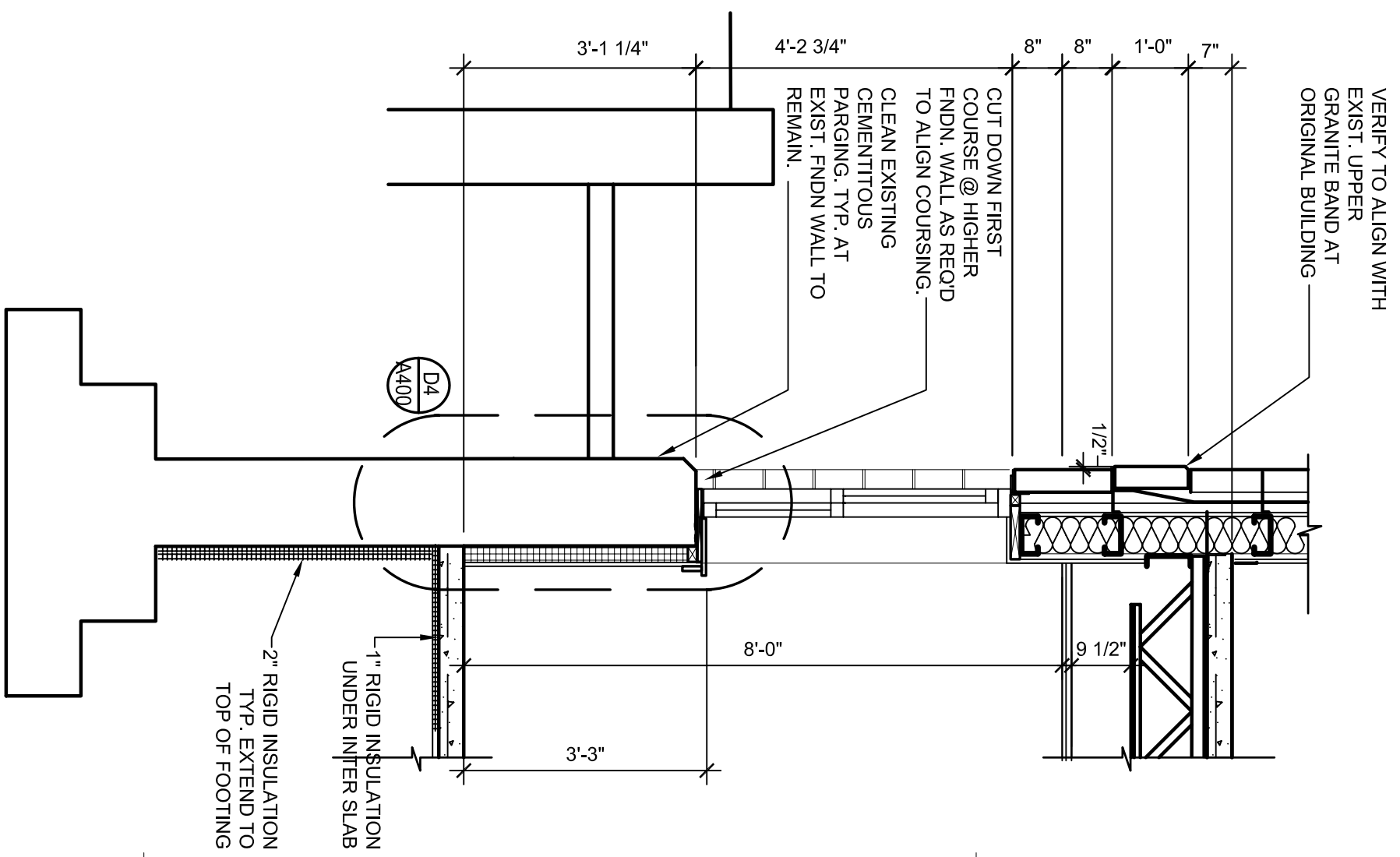


2 WALL SECTION AT EXTERIOR DOOR & CANOPY



1 WALL SECTION AT EXISTING DORM

DRAWING: WALL SECTIONS AND MISC DETAILS
 SCALE: 1/2"=1'-0"
 DATE: MARCH 21, 2005

PROJECT: IRIS PARK APARTMENTS L.P. RENOVATION & ADDITIONS
 PORTLAND, ME 04101

OWNER: IRIS NETWORK
 PORTLAND, ME 04101

ARCHITECT: SEMPLE & DRANE ARCHITECTS
 496 CONGRESS STREET
 PORTLAND, MAINE 04101
 (207) 761-4231
 asemple1@maine.rr.com

