

EROSION CONTROL GENERAL NOTES

GENERAL NOTES:

- THE DRAWINGS DEPICT THE REQUIRED SOIL EROSION CONTROL MEASURES. THE CONTRACTOR IS RESPONSIBLE FOR MAINTAINING THE PROTECTION THROUGHOUT THE CONSTRUCTION PERIOD.
- NO EROSION CONTROL MEASURES SHALL BE CONSTRUCTED AND MAINTAINED UNTIL THE EROSION CONTROL MEASURES HAVE BEEN APPROVED BY THE CONSTRUCTION DISTRICT AND THE DEPARTMENT OF ENVIRONMENTAL PROTECTION, LATEST EDITION.
- THE CONTRACTOR IS RESPONSIBLE FOR ALL FINES RESULTING FROM EROSION OR SEDIMENTATION FROM THE SITE TO SURROUNDING PROPERTIES, WATERBODIES, OR WETLANDS AS A RESULT OF THIS PROJECT.
- LOAM AND SEED: ALL DISTURBED AREAS AS SOON AS POSSIBLE AFTER DISTURBANCE, BUT NO LATER THAN 14 DAYS, USE WINTER SEED RATES AND SPECIFICATIONS IF APPROPRIATE.
- INSPECT SOIL EROSION MEASURES WEEKLY AND AFTER SIGNIFICANT STORM EVENTS. MAKE ALL NECESSARY REPAIRS TO FACILITIES AS SOON AS POSSIBLE, BUT NO LATER THAN 7 DAYS. CLEAN AND REPAIR ALL FENCED STONE CHECKDAMS WHICH ACCUMULATE SEDIMENT AND DEBRIS.
- PROTECT AND STABILIZE ALL AREAS NOT SCHEDULED FOR EROSION PREVENTION OR STABILIZATION BUT THAT SHOW SIGNS OF EROSION. NOTIFY OWNER OF ANY SIGNIFICANT EROSION PROBLEMS.
- MULCH ALL AREAS SEEDING SO THAT SOIL IS NOT VISIBLE THROUGH THE MULCH REGARDLESS OF THE APPLICATION RATE. INSTALL MATS (OR NETTING) IN ACCORDANCE WITH MANUFACTURER'S RECOMMENDATIONS.
- DURING THE GROWING SEASON (APRIL 15 - SEPT. 30) USE MATS (OR MULCH AND NETTING) ON:
 - THE BASE OF GRASSSED WATERWAYS
 - SLOPES STEEPER THAN 15%
 - WITHIN 100 FT. OF STREAMS AND WETLANDS
 - BETWEEN OCT. 1 AND APRIL 14 USE MATS (OR MULCH AND NETTING) ON:
 - SIDE SLOPES OF GRASSSED WATERWAYS
 - SLOPES STEEPER THAN 8%
- INSTALL EROSION CONTROL MESH IN ACCORDANCE WITH MANUFACTURER'S RECOMMENDATIONS. MESH TO BE EQUAL TO NORTH AMERICAN GREEN PRODUCT C35EN.
- FOLLOW SILT FENCE MANUFACTURER'S SPECIFICATIONS AND RECOMMENDATIONS FOR INSTALLATION OF SILT FENCE. SECURE ENTIRE LENGTH OF EACH EITHER BY BURNING END OF FENCE IN A ROW WITH STAKES OR BY STAKING WITH SOIL OR CHIPPED GRUBBING. REFER TO SILT FENCE DETAILS.
- PROVIDE AND MAINTAIN DUST CONTROL MEASURES AS NECESSARY TO PREVENT DUST FROM BLOWING ONTO NEIGHBORING PROPERTY OR BEING TRACKED ONTO ADJACENT STREETS.

SEEDING:

- USE PERMANENT SEED MIXES AND RATES BETWEEN 5/15 AND 9/30.
- USE TEMPORARY SEED MIXES FOR PERIODS LESS THAN 12 MONTHS. IF USING TEMPORARY SEED MIXES AND RATES BETWEEN 10/1 AND 5/14, RE-SEED WITH PERMANENT SEED MIX AFTER 9/15.

PERMANENT SEED:

MDOT T11.03(a) METHOD NUMBER 3

TEMPORARY SEED:

CATS	8000 LBS/ACRE 4/01 - 5/14
ANNUAL RYEGRASS	4000 LBS/ACRE 5/15 - 9/14
SDA GRASS	8000 LBS/ACRE 5/15 - 9/14
WINTER RYE (GRASS)	1200 LBS/ACRE 9/15 - 9/30
WINTER RYE (PROTECT W/ MULCH COVER)	1200 LBS/ACRE 10/01 - 3/31

LIME AND FERTILIZER:

LIME AND FERTILIZER RATES WILL BE BASED ON FIELD SOIL TESTING OF ON-SITE TOPSOILS BY A CERTIFIED LABORATORY. SUBMIT TEST RESULTS TO THE ENGINEER.

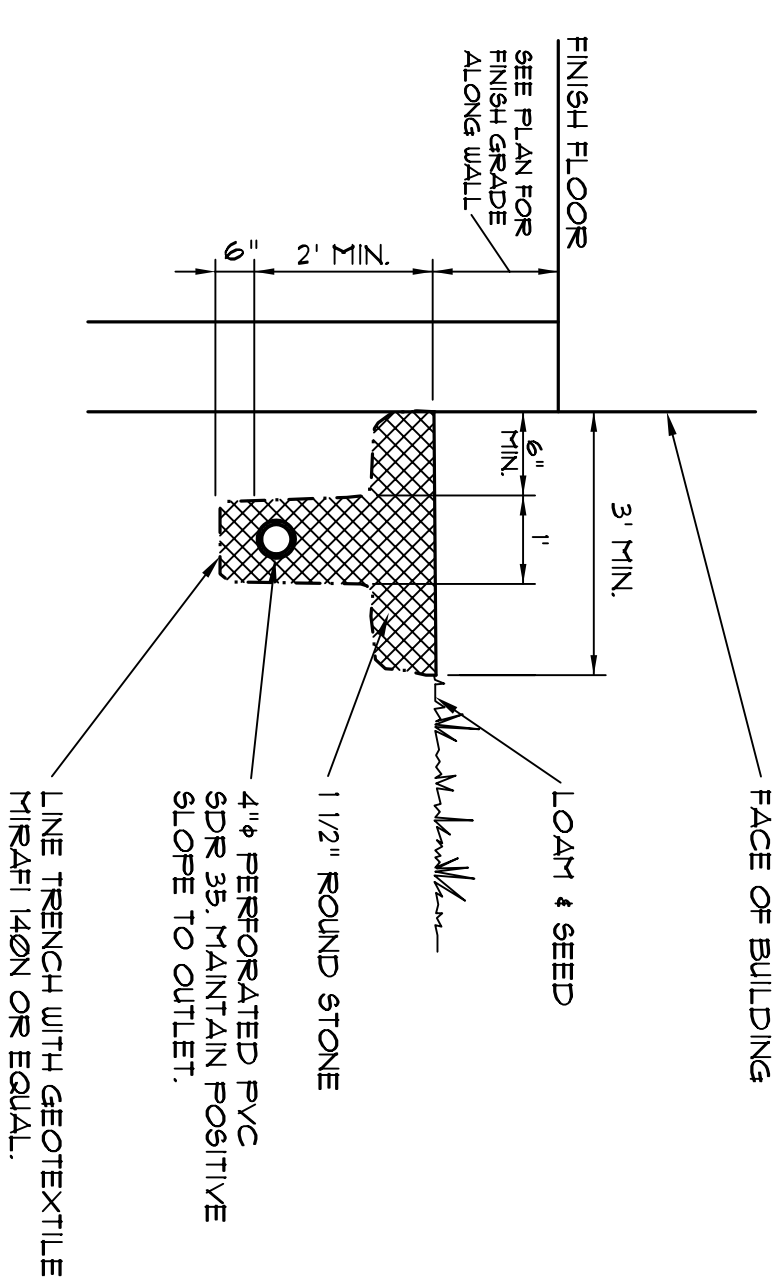
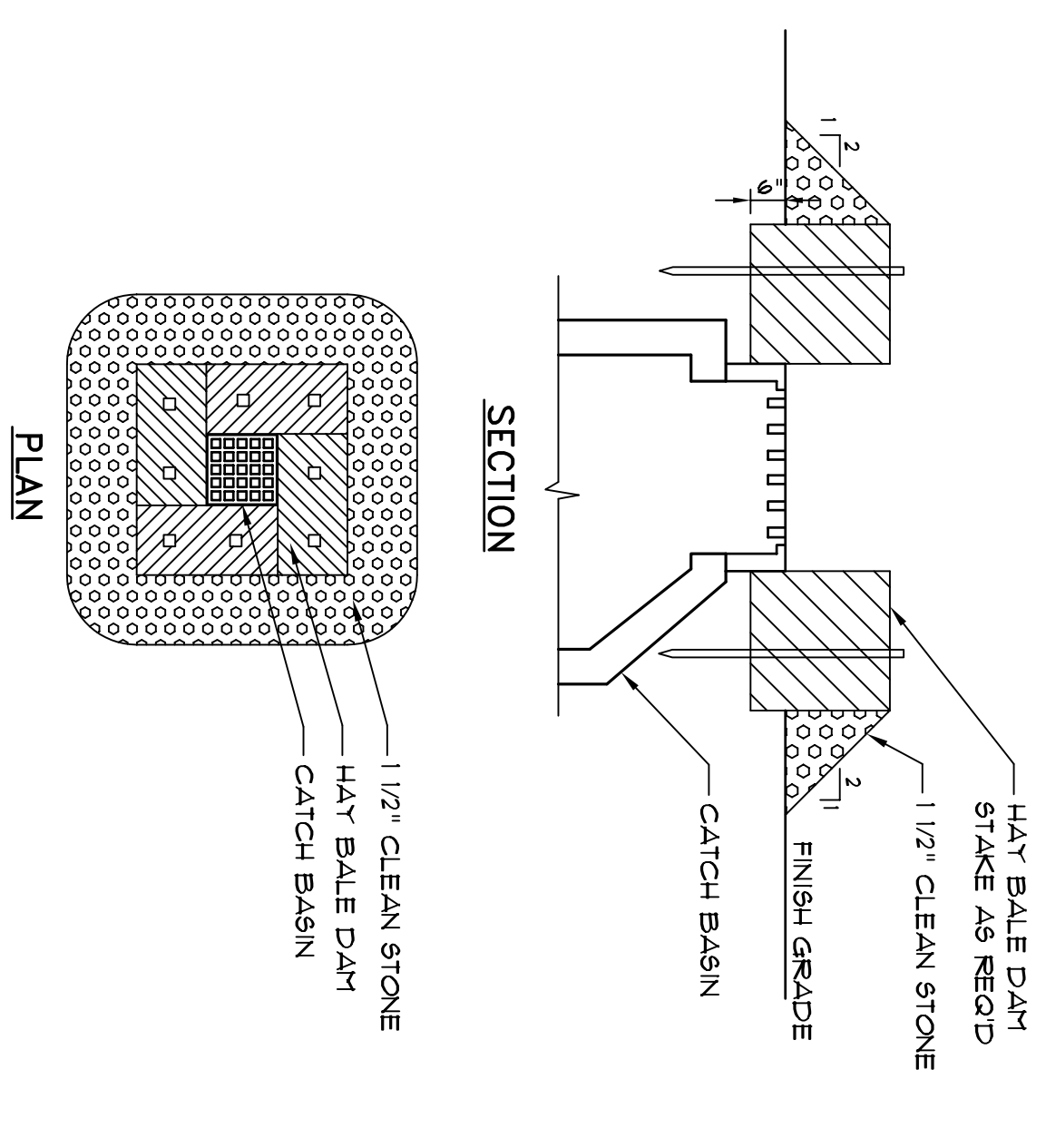
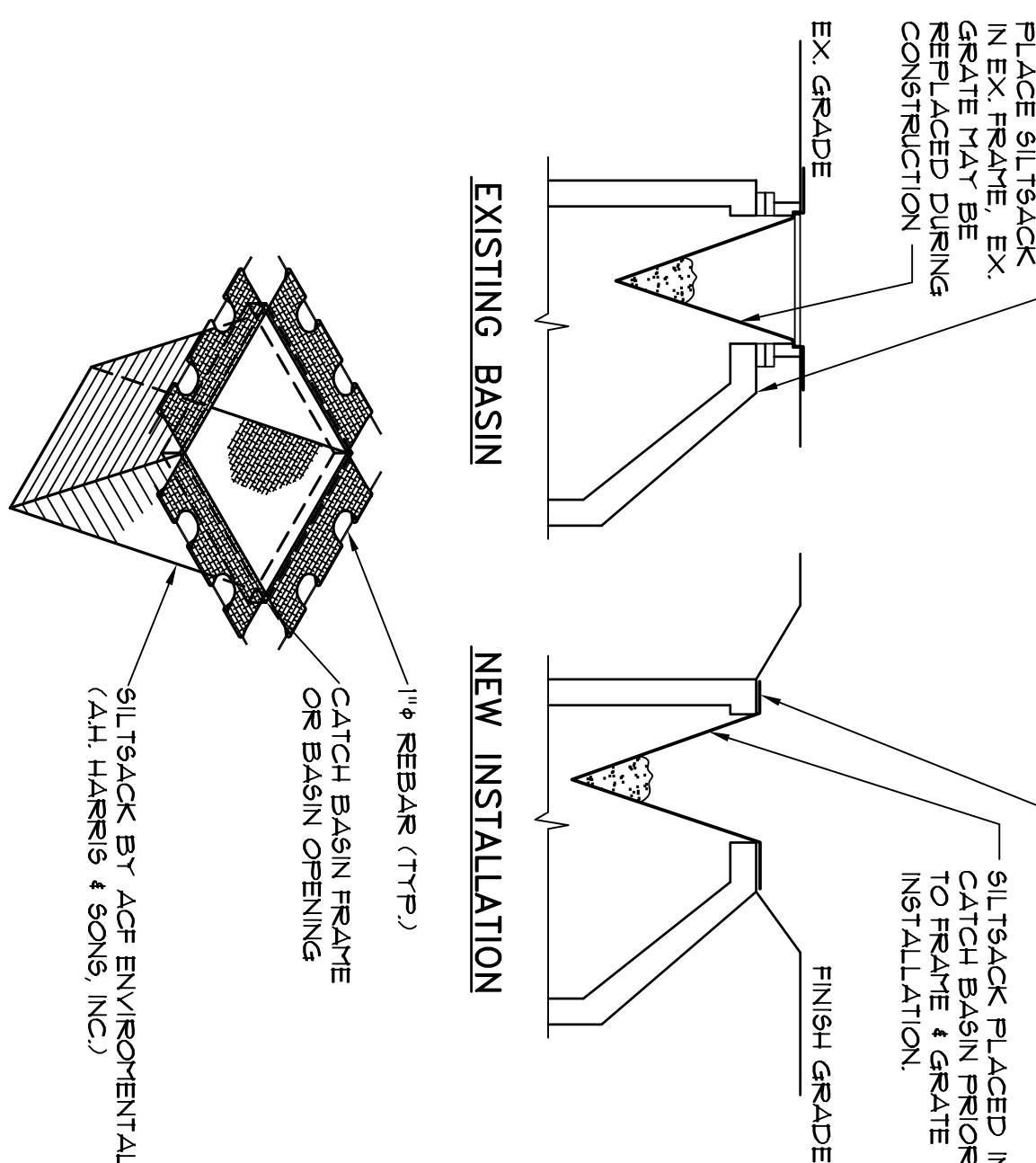
MULCH:

STRAW OR HAY (ANCHORED)	70 - 90 LBS	PROTECTED AREAS
STRAW OR HAY (ANCHORED)	185 - 215 LBS	WINDY AREAS
SHREDDED OR CHOPPED JUTE MESH	AS REQUIRED	MODERATE TO HIGH VELOCITY AREAS & STEEP SLOPES

MULCH ANCHORING

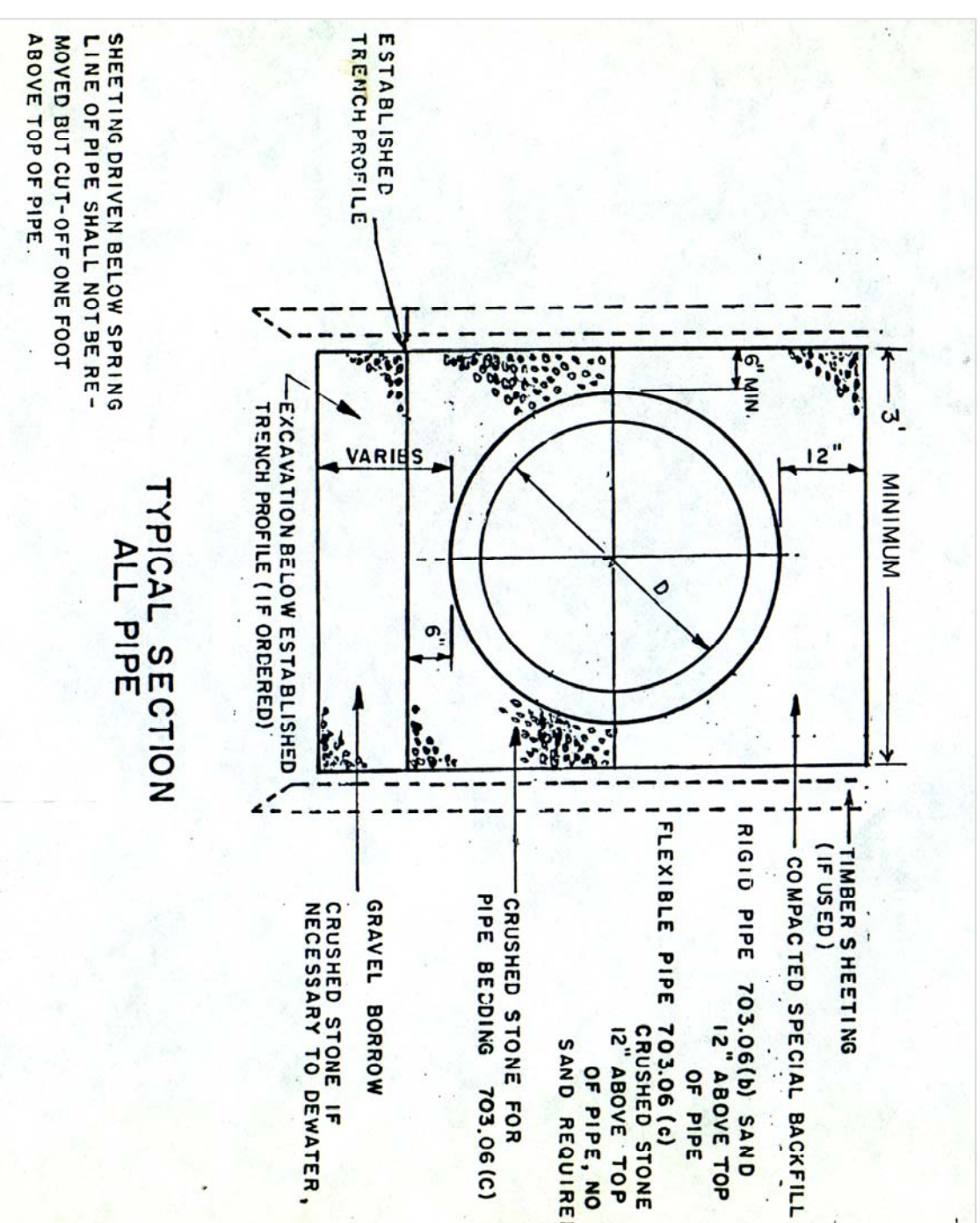
EXCELISIOR MAT	AS REQUIRED
PEG AND TUNE	LIQUID ASPHALT
MULCH NETTING	WOOD CELLULOSE FIBER
ASPHALT EMULSION	CHEMICAL TACK

1 CATCH BASIN PROTECTION



4 STONE DRIPSTRIP SECTION

NOT TO SCALE

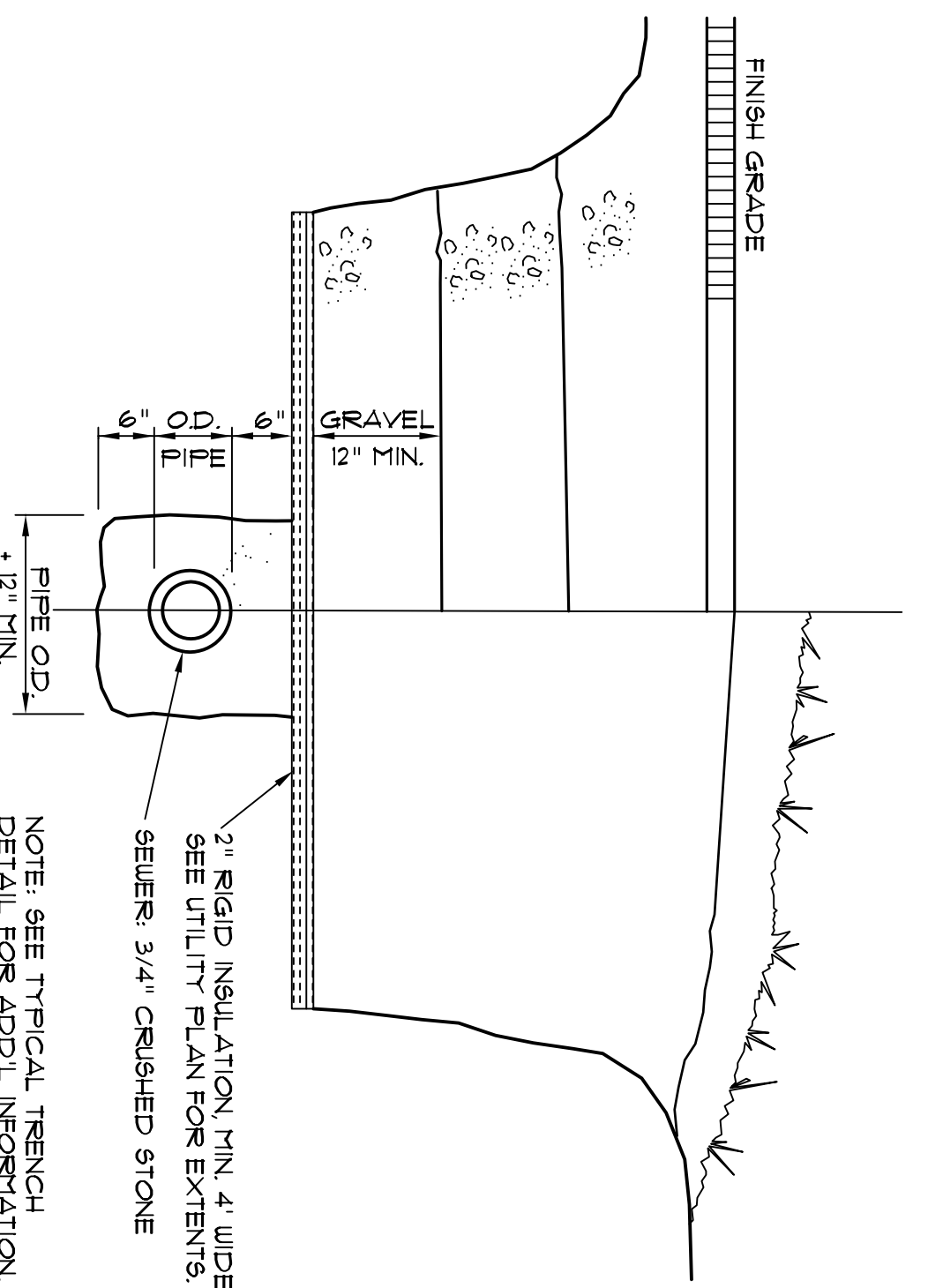
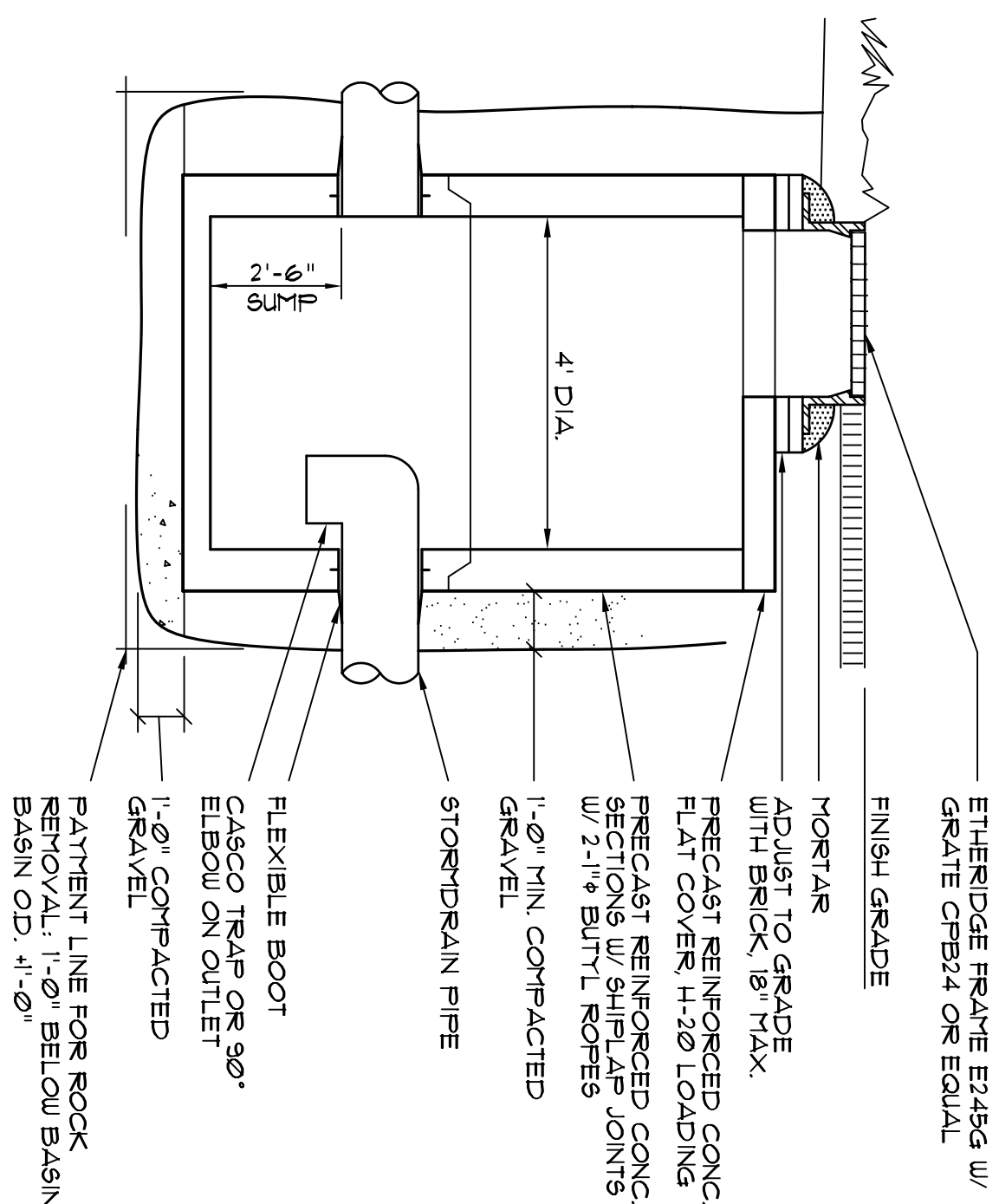


3 TRENCH SECTION

NOT TO SCALE

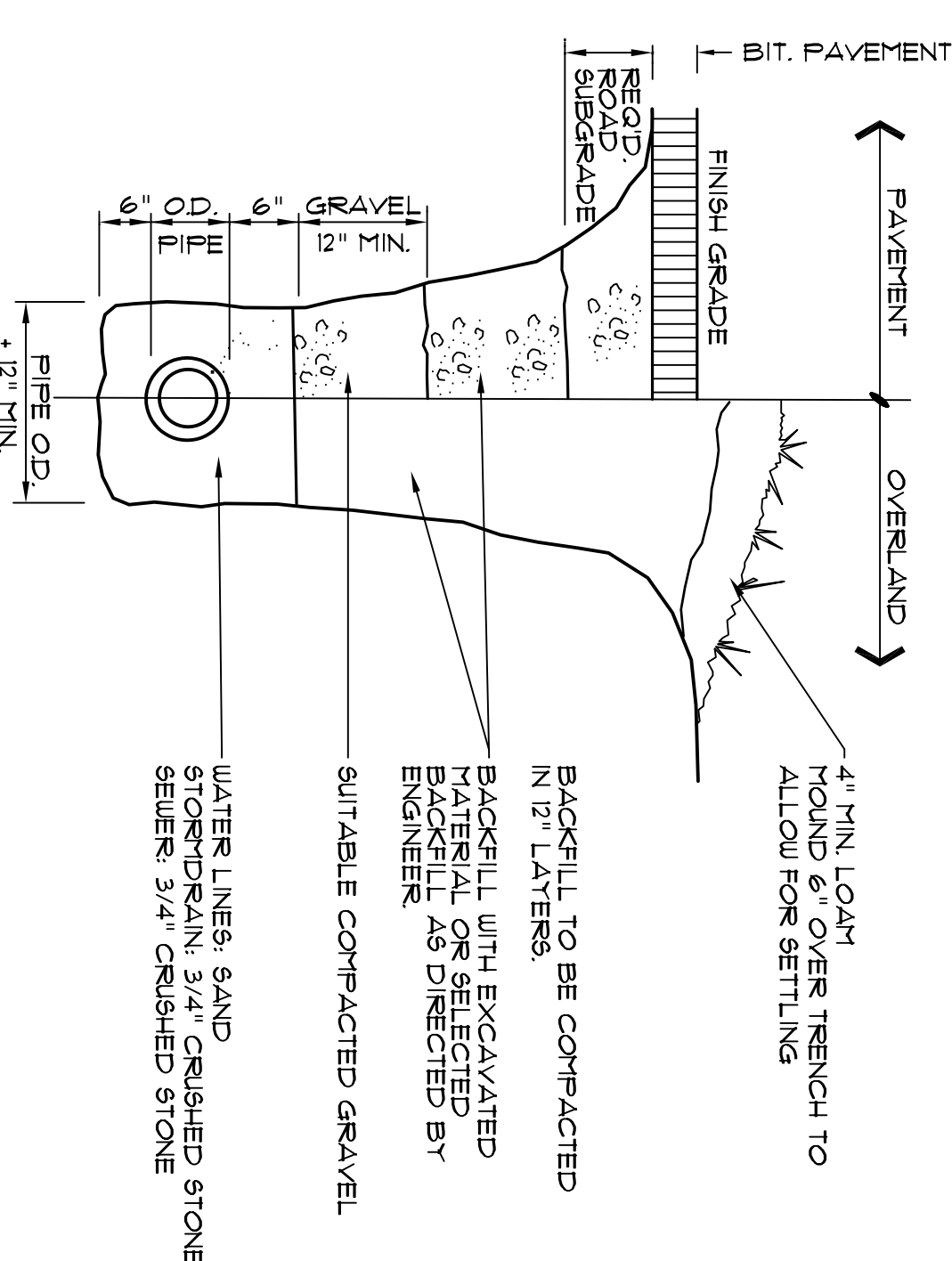
2 PRECAST CATCH BASIN

NOT TO SCALE



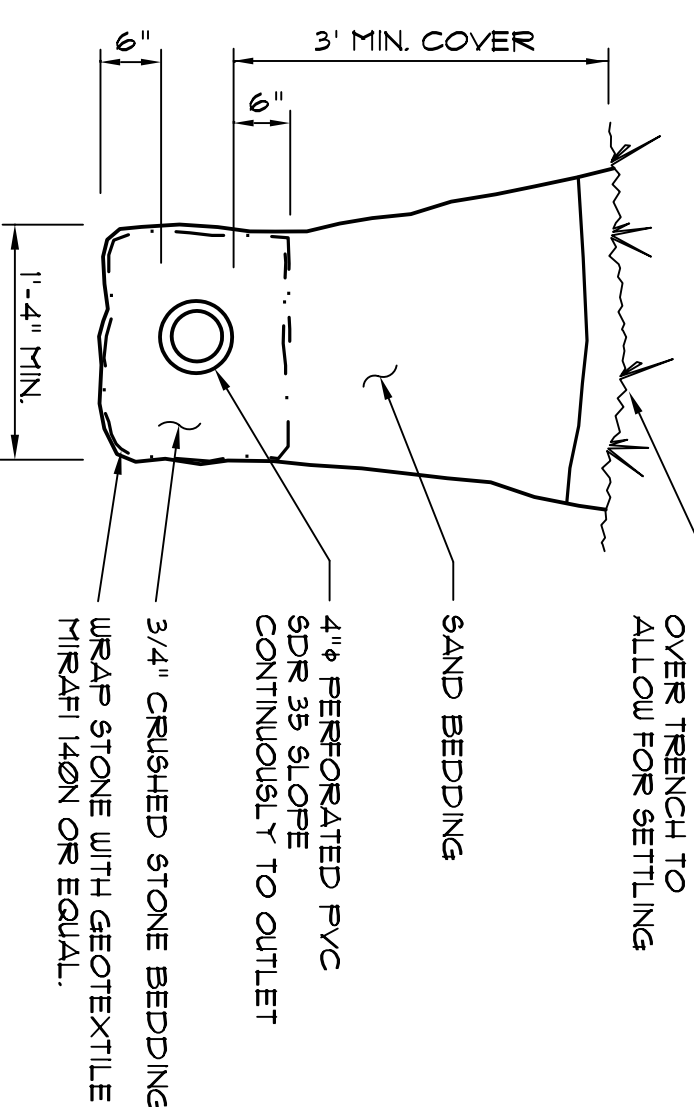
8 SEWER TRENCH WITH INSULATION SECTION

NOT TO SCALE



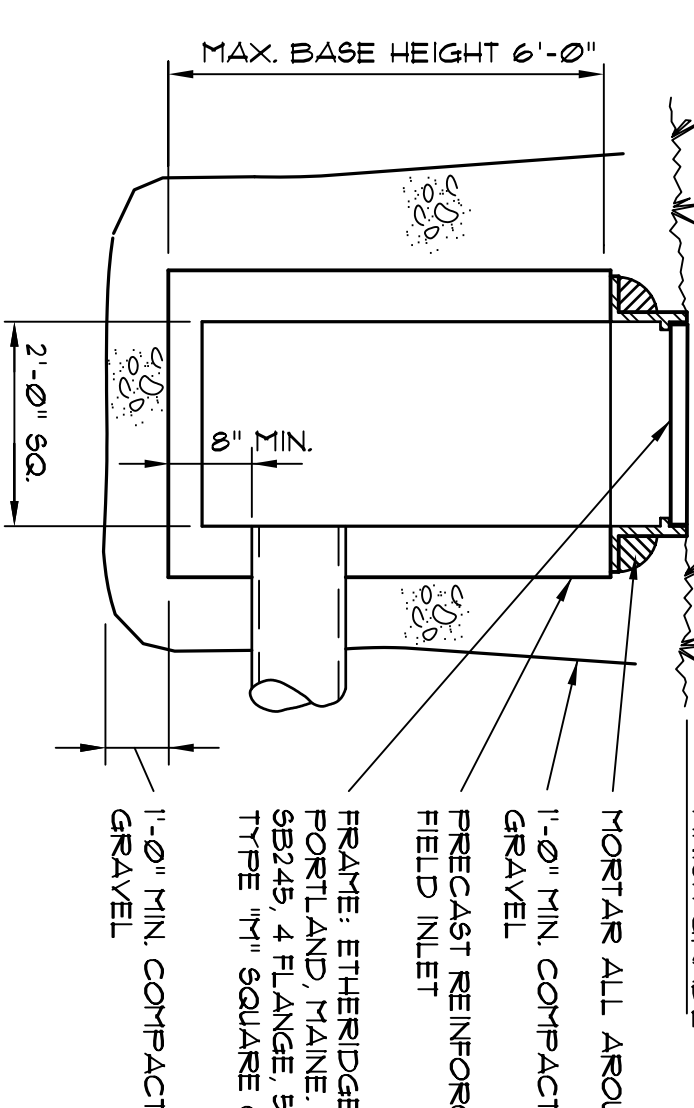
7 TYPICAL TRENCH SECTION

NOT TO SCALE



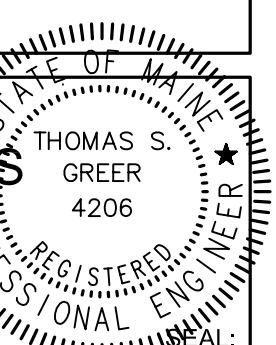
6 UNDERDRAIN TRENCH SECTION

NOT TO SCALE



5 FIELD INLET DETAIL

NOT TO SCALE



ARCHITECT:
SEMPLÉ & DRANE ARCHITECTS
 496 CONGRESS STREET
 PORTLAND, MAINE 04101
 (207) 761-4231
 asemple1@maine.rr.com

OWNER:
IRIS NETWORK
 PORTLAND, ME 04101

PROJECT:
**IRIS NETWORK
 RENOVATION & ADDITIONS**
 PORTLAND, ME 04101

REVISIONS:
 ISSUED FOR BID

DRAWING:
DETAILS
 SCALE: AS SHOWN
 DATE: MARCH 18, 2009

C5