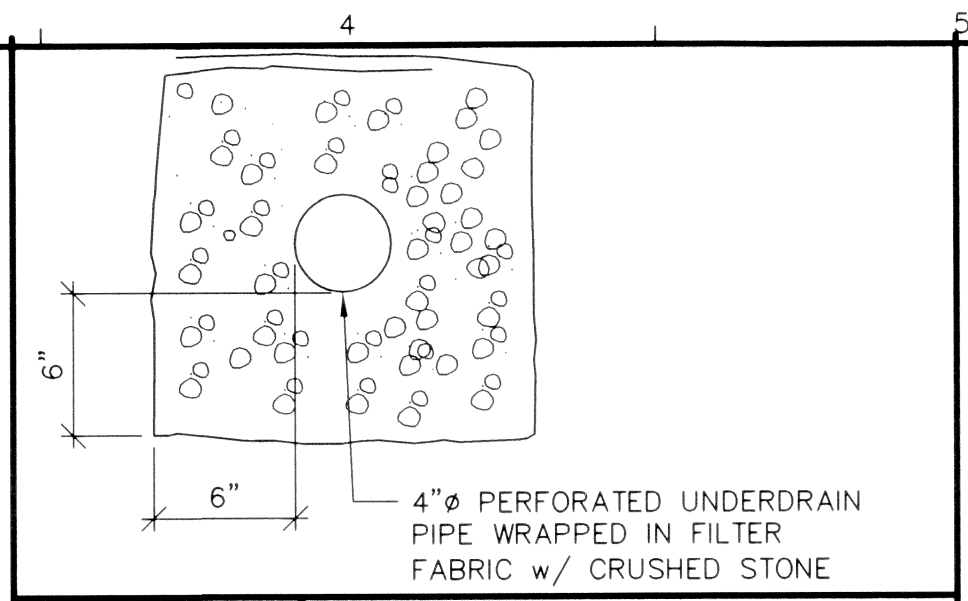
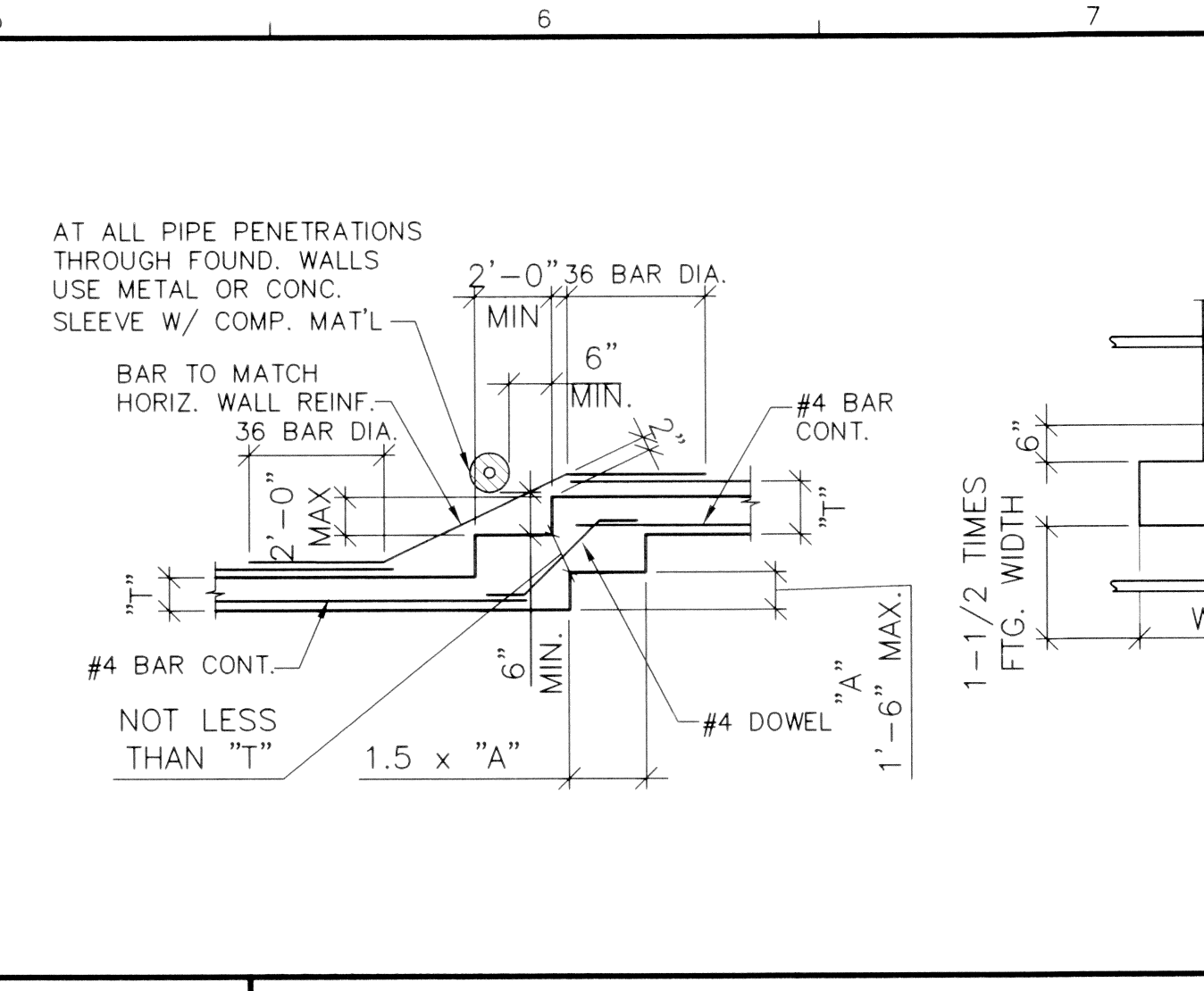


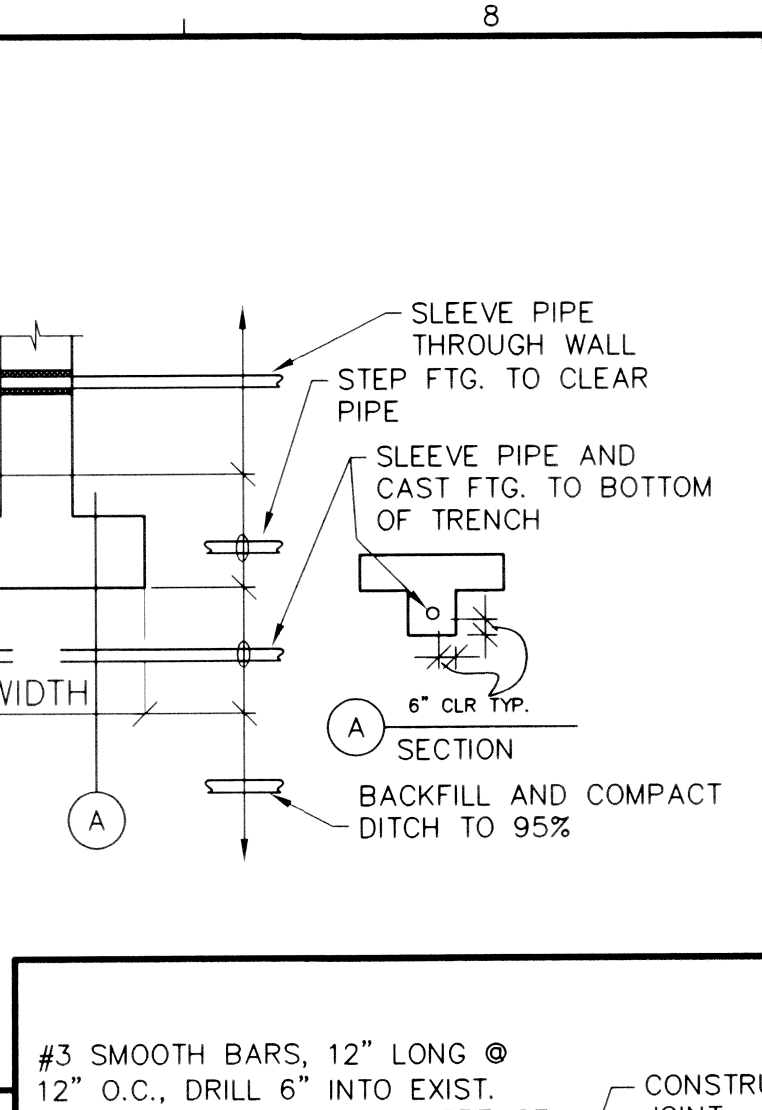
F1 WALL & SLAB CONSTRUCTION JOINT
1/2" = 1'-0"



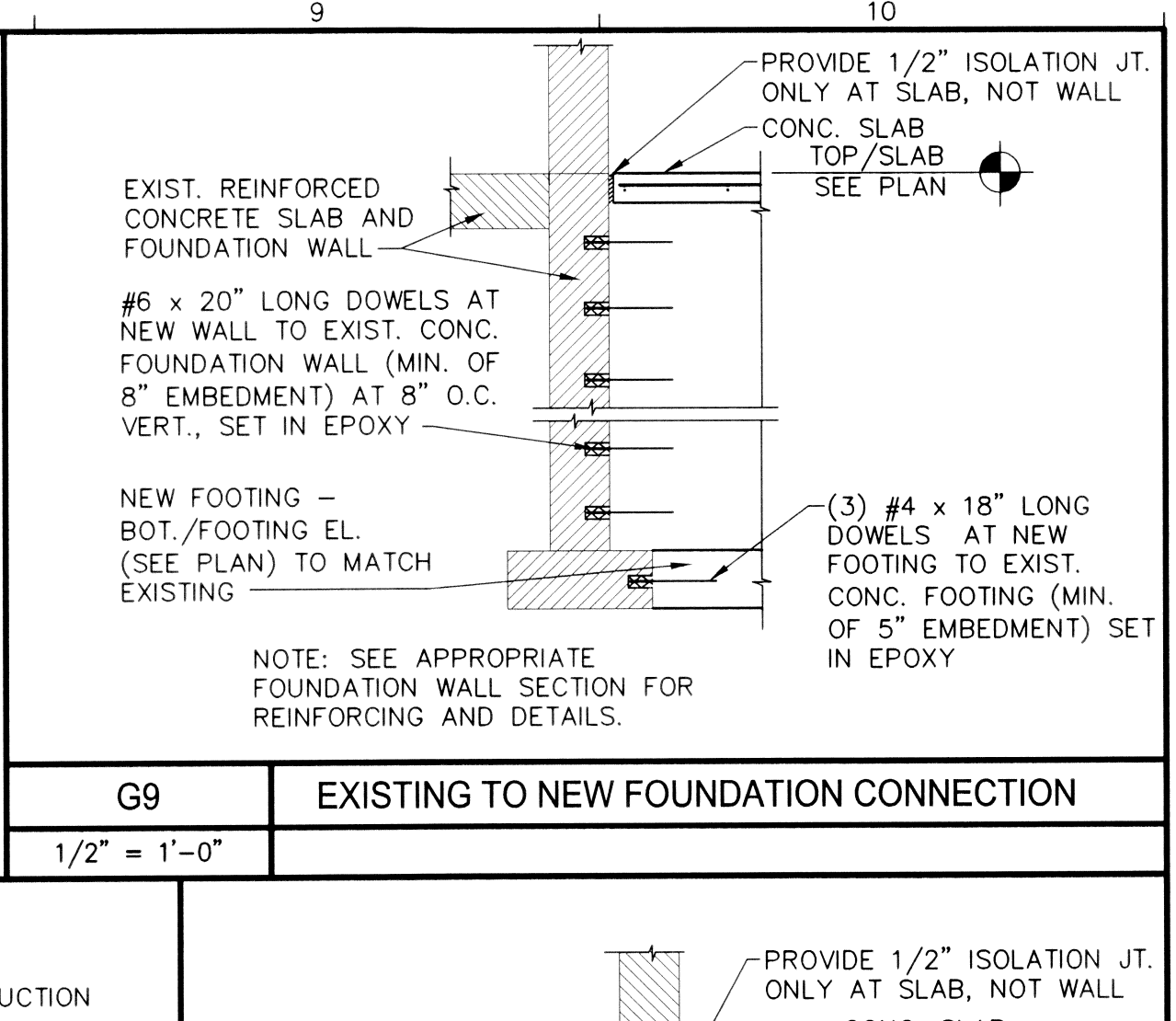
G4 UNDER DRAIN DETAIL
N.T.S.
1/4" WIDE (MAX) BY 1/4 OF SLAB DEPTH SAWED JOINT (STRAIGHT AND TRUE)
JOINT FILLER (SEE SPECS.)
4" CONCRETE SLAB
VAPOR BARRIER
SEE SOILS REPORT



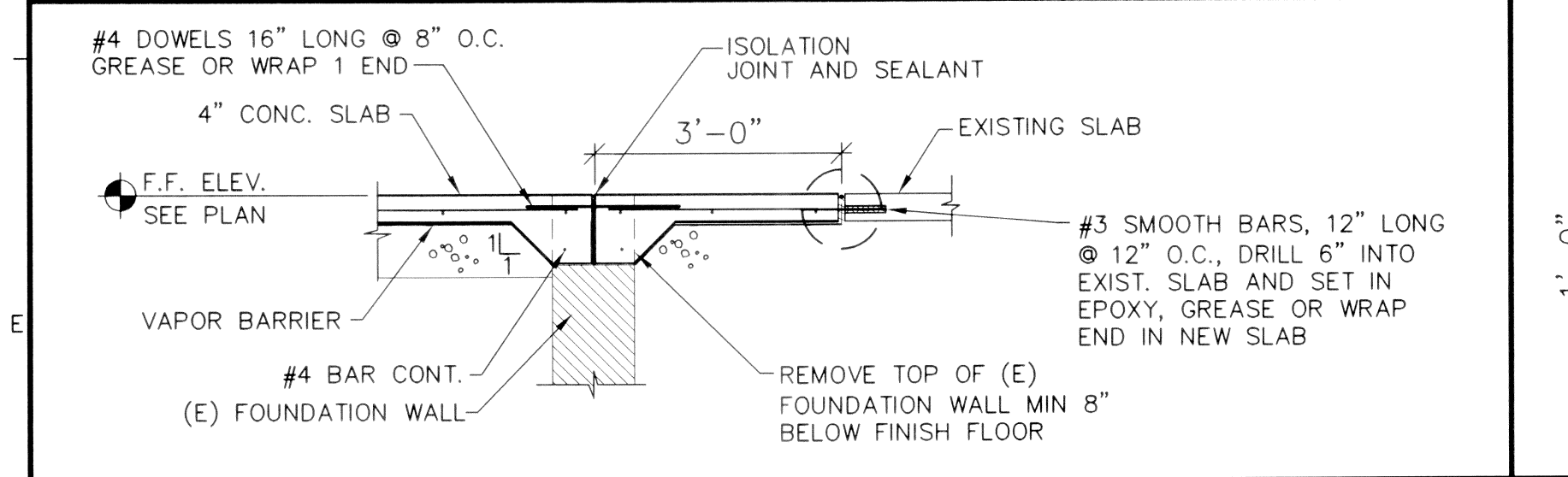
F6 TYPICAL STEP FOOTING DETAIL
N.T.S.



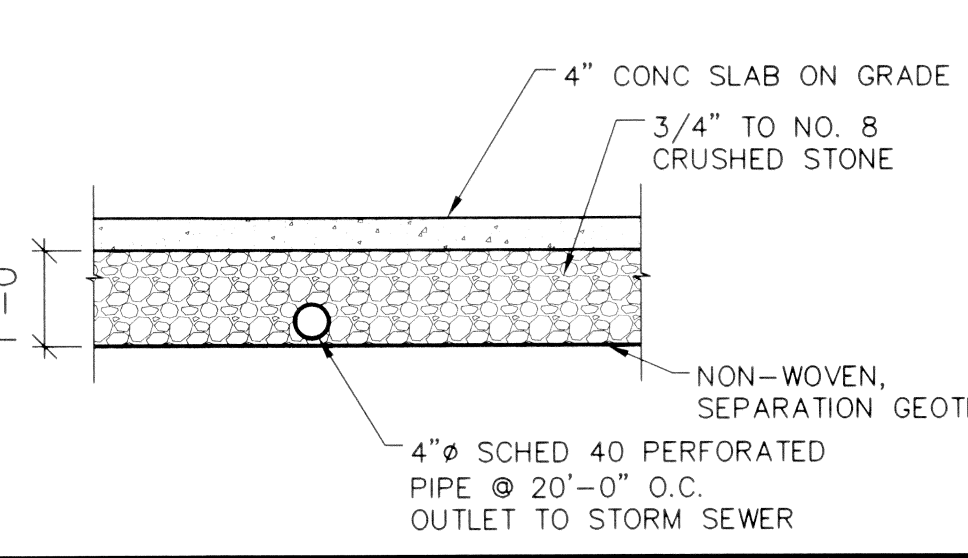
F8 TIE-IN TO EXISTING SLAB
1/2" = 1'-0"



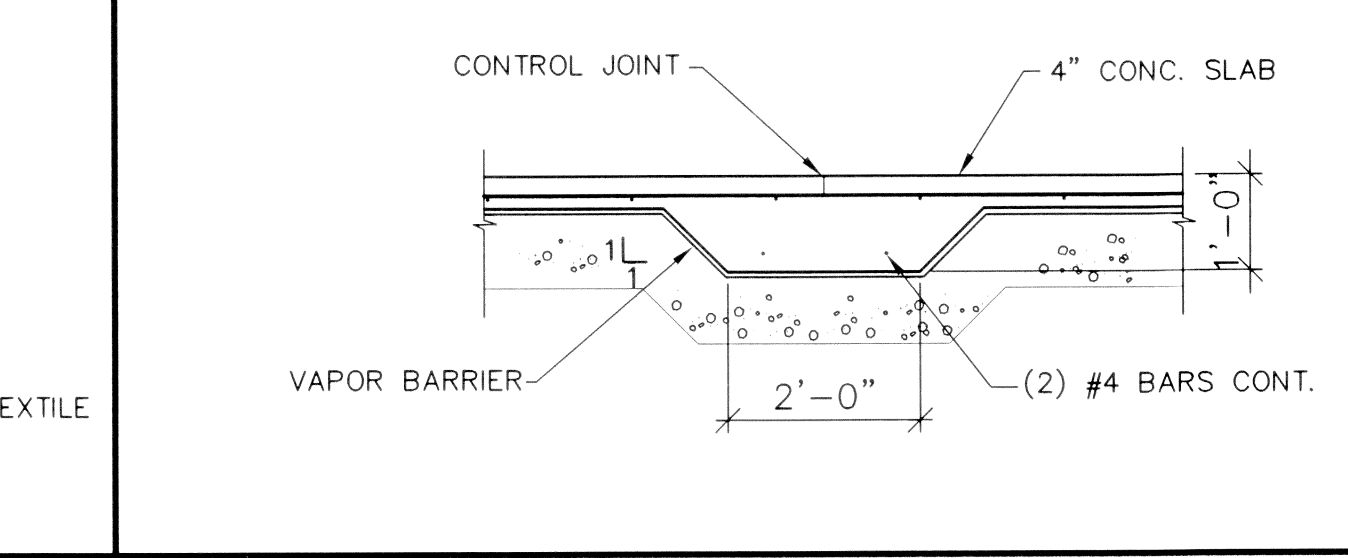
G9 EXISTING TO NEW FOUNDATION CONNECTION
1/2" = 1'-0"



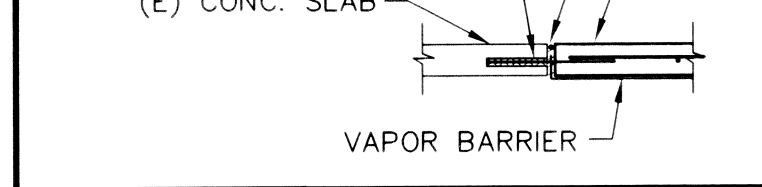
E1 SLAB DETAIL @ EXISTING FOUNDATION WALL
1/2" = 1'-0"



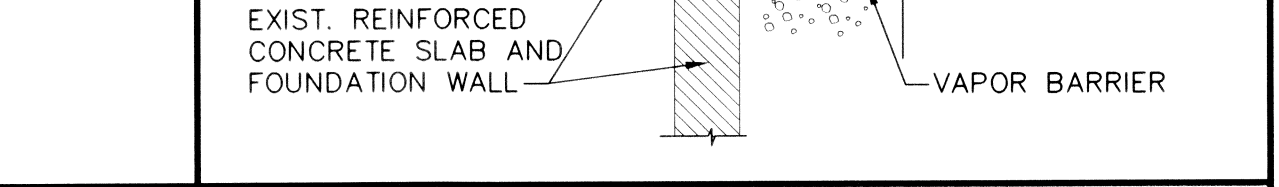
E4 INTERIOR SLAB
1/2" = 1'-0"



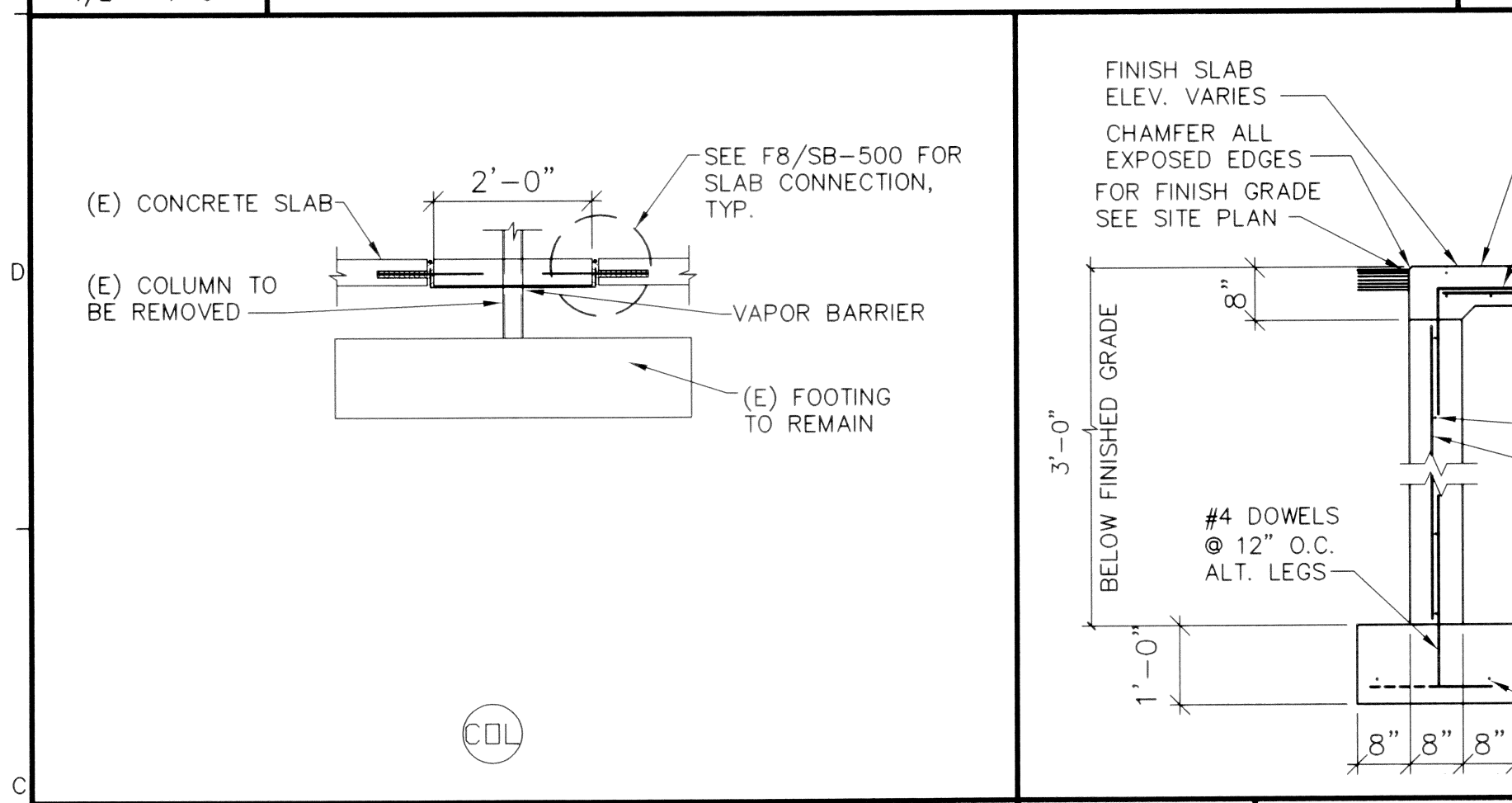
E7 HAUNCHED SLAB DETAIL @ STAIR LANDINGS
1/2" = 1'-0"



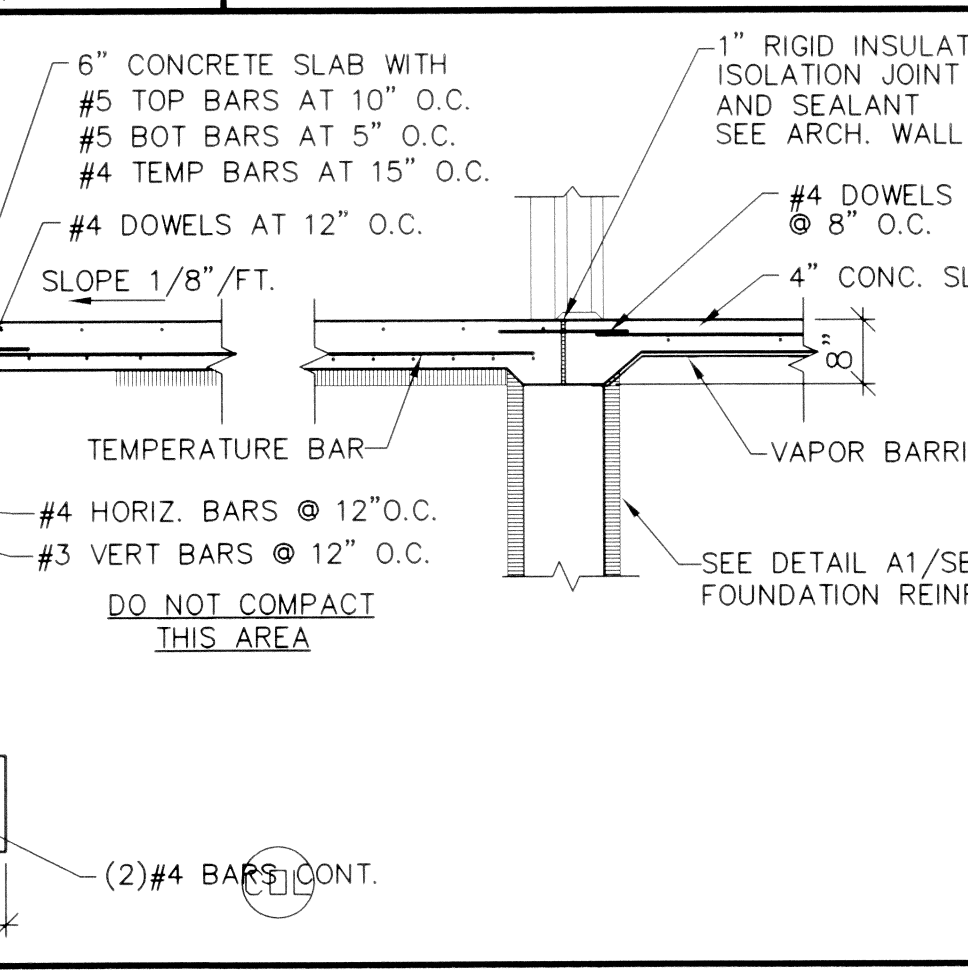
F10 DETAIL @ EXISTING FOUNDATION WALL
1/2" = 1'-0"



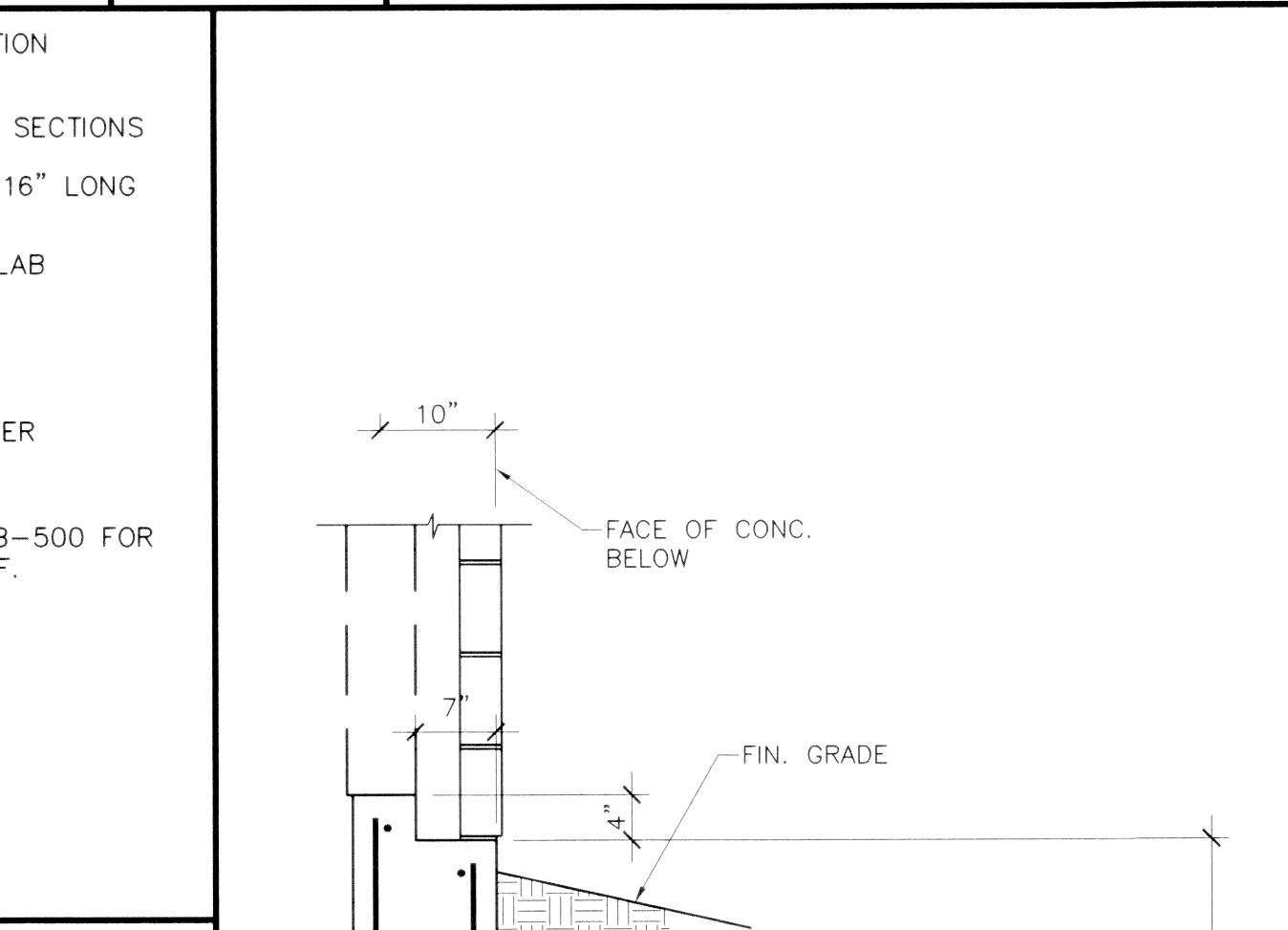
F10 DETAIL @ EXISTING FOUNDATION WALL
1/2" = 1'-0"



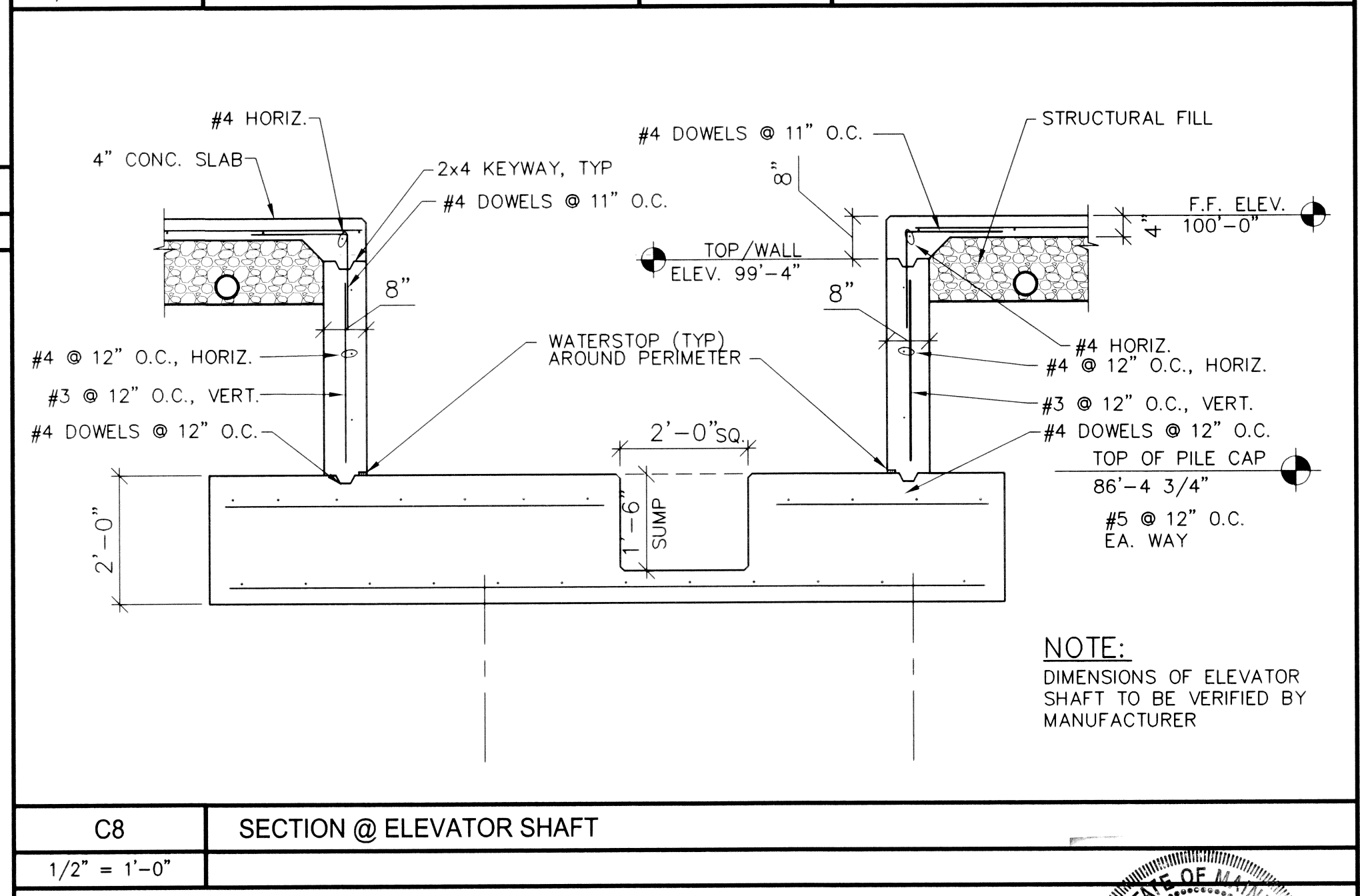
D1 EXISTING COLUMN REMOVAL
1/2" = 1'-0"



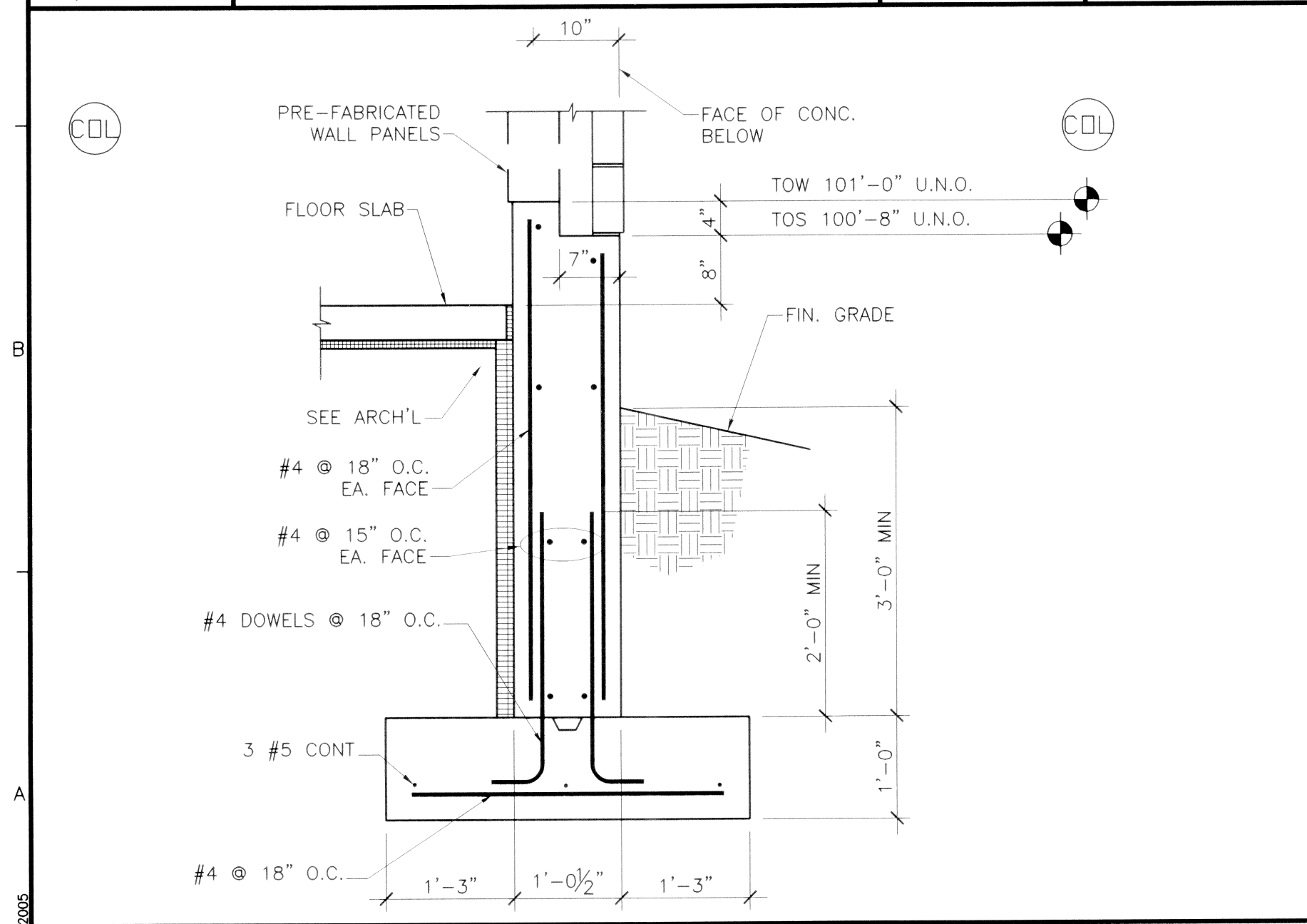
D3 EXTERIOR ENTRANCE SLAB DETAIL
1/2" = 1'-0"



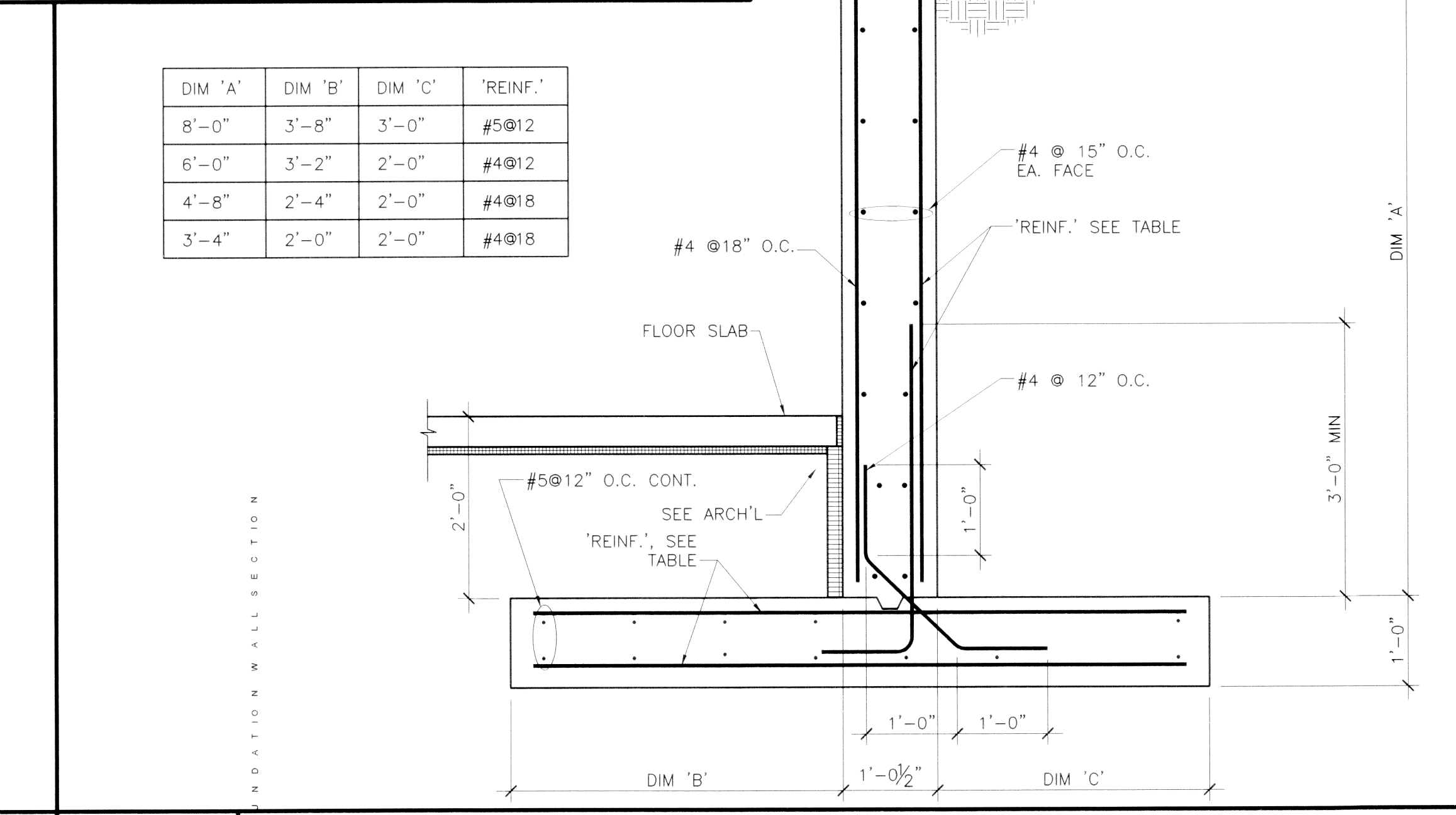
C8 SECTION @ ELEVATOR SHAFT
1/2" = 1'-0"



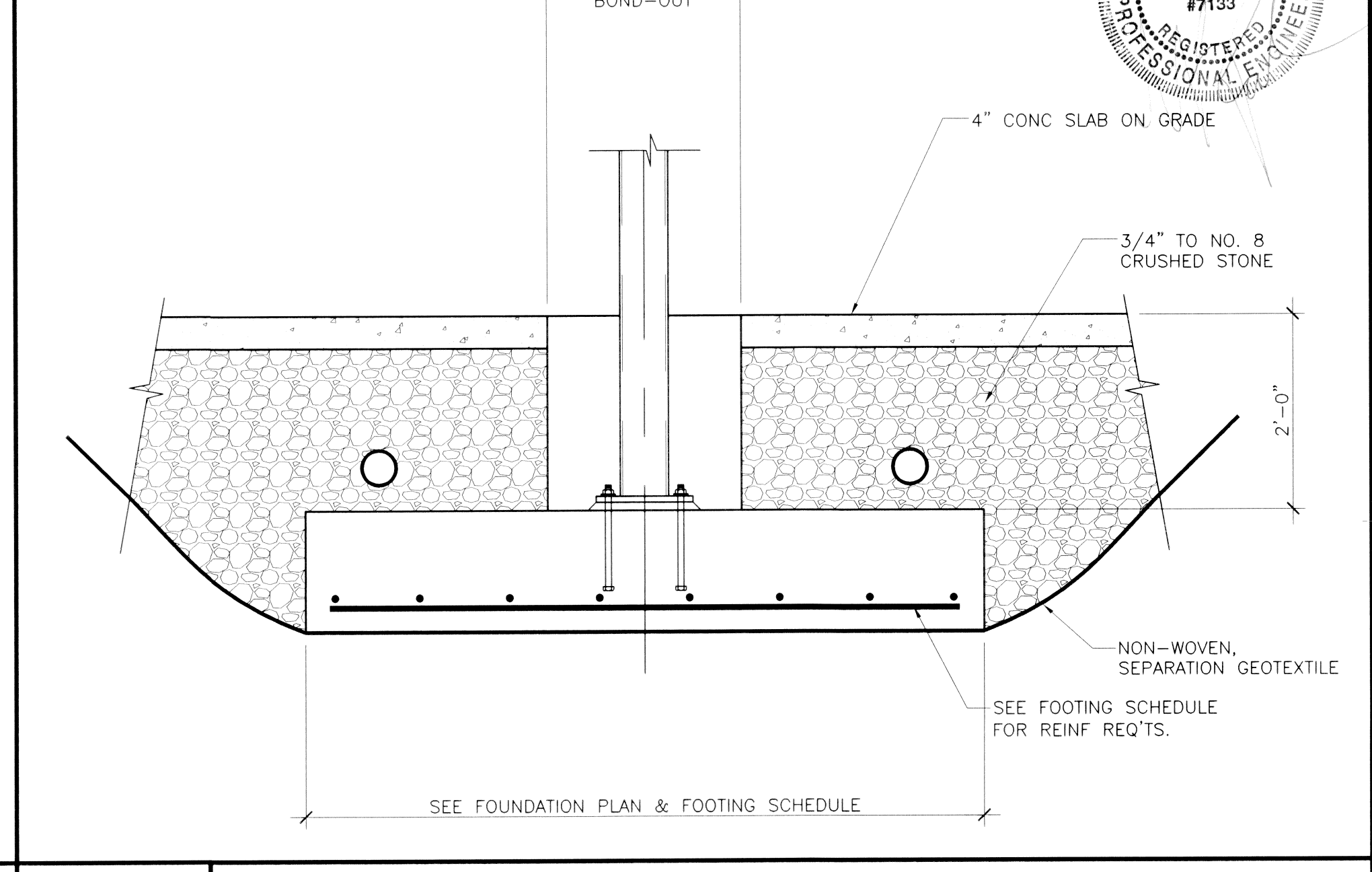
A8 INTERIOR FOOTING DETAIL
3/4" = 1'-0"



A1 FOUNDATION WALL SECTION
3/4" = 1'-0"



A4 FOUNDATION WALL SECTION
3/4" = 1'-0"



A8 INTERIOR FOOTING DETAIL
3/4" = 1'-0"

ARCHITECT: **SEMPLER & DRANE ARCHITECTS**
496 CONGRESS STREET
PORTLAND, MAINE 04101
TEL: (207) 761-4231 FAX: (774) 0152
sda@sempledrane.com

ENGINEERING: **allied engineering, inc.**
1000 W. 10TH ST., SUITE 200
PORTLAND, ME 04104
TEL: (207) 761-4231 FAX: (774) 0152
www.alliedeng.com

OWNER: **IRIS NETWORK**
PORTLAND, MAINE 04104

PROJECT: **IRIS NETWORK RENOVATIONS AND ADDITIONS**
PORTLAND, MAINE 04104

DRAWING: **FOUNDATION SECTIONS AND DETAILS**
SCALE: AS NOTED
CAD FILE: 030665.DWG
DATE: 01 APRIL 2005

SHEET: **SB-500**