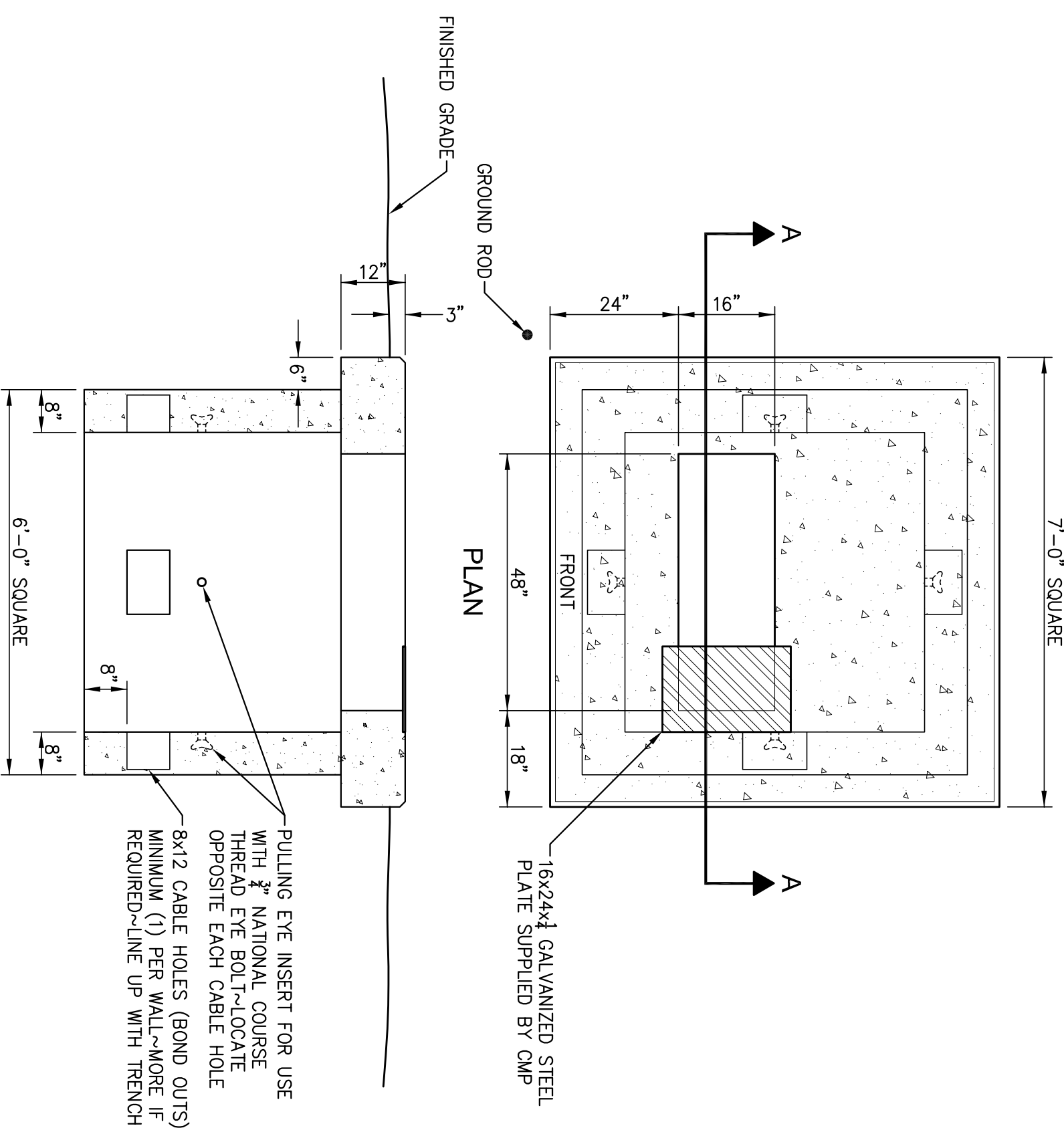


E1 TRENCH DETAIL IN ALL SPARE/EMPTY CONDUITS  
N.T.S.

E3 TRENCH DETAIL IN ALL SPARE/EMPTY CONDUITS  
N.T.S.

E5 TRENCH DETAIL IN ALL SPARE/EMPTY CONDUITS  
N.T.S.

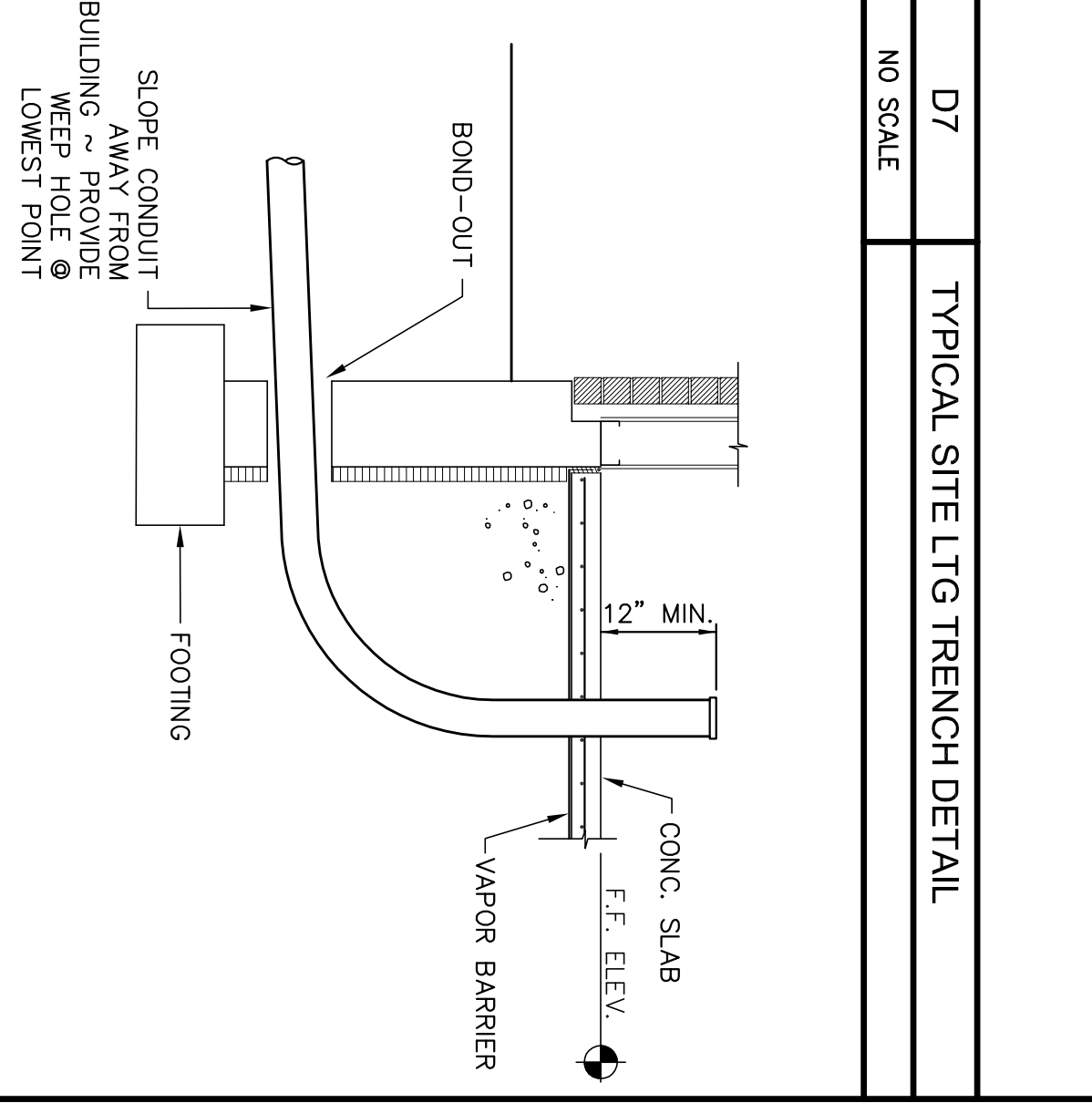
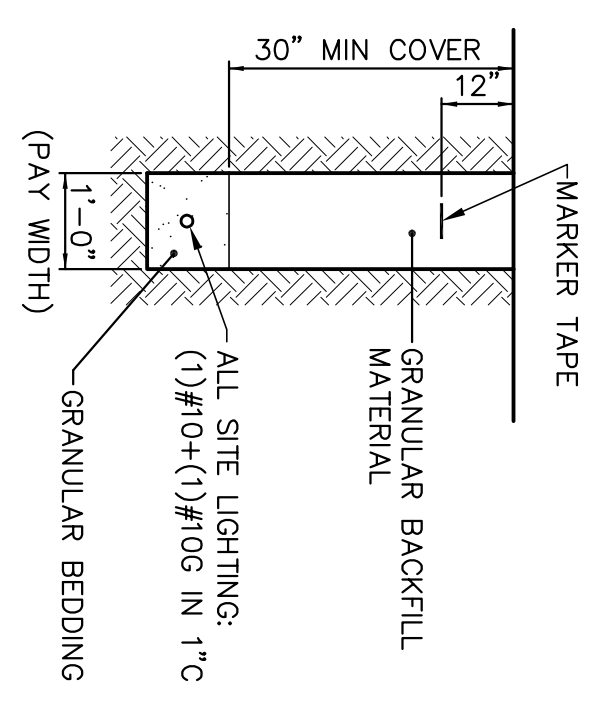


**NOTES:**

1. "FRONT" DENOTES THE SIDE ON WHICH THE ACCESS DOORS ARE LOCATED--THE FOUNDATION MUST BE LOCATED SO THAT THE "FRONT" IS ACCESSIBLE BY TRUCK AND SUITABLY PROTECTED FROM FLOW AND TRAFFIC DAMAGE.
2. 3/8" GROUND ROD (PROVIDED BY CMP) SHALL BE INSTALLED 6" IN FRONT OF THE LEFT CORNER OF THE FOUNDATION--TOP OF THE GROUND ROD SHALL BE 6" BELOW FINISHED GRADE.
3. CONCRETE COMPRESSIVE STRENGTH SHALL BE 4000 PSI @ 28 DAYS. FOR CAST-IN-PLACE EARLY HIGH STRENGTH MAY BE USED WITH A MINIMUM 7 DAY CURE TIME.
4. REINFORCING STEEL SHALL HAVE Fy=60 KSI
5. FOR PRECAST UNITS: THE PRECAST SUPPLIER SHALL PROVIDE LIFTING LUGS IN THE SLAB (FOUNDATION) AND BASE

A1	TRANSFORMER PAD	A4	-	-	-	-	-	-	-
N.T.S.									

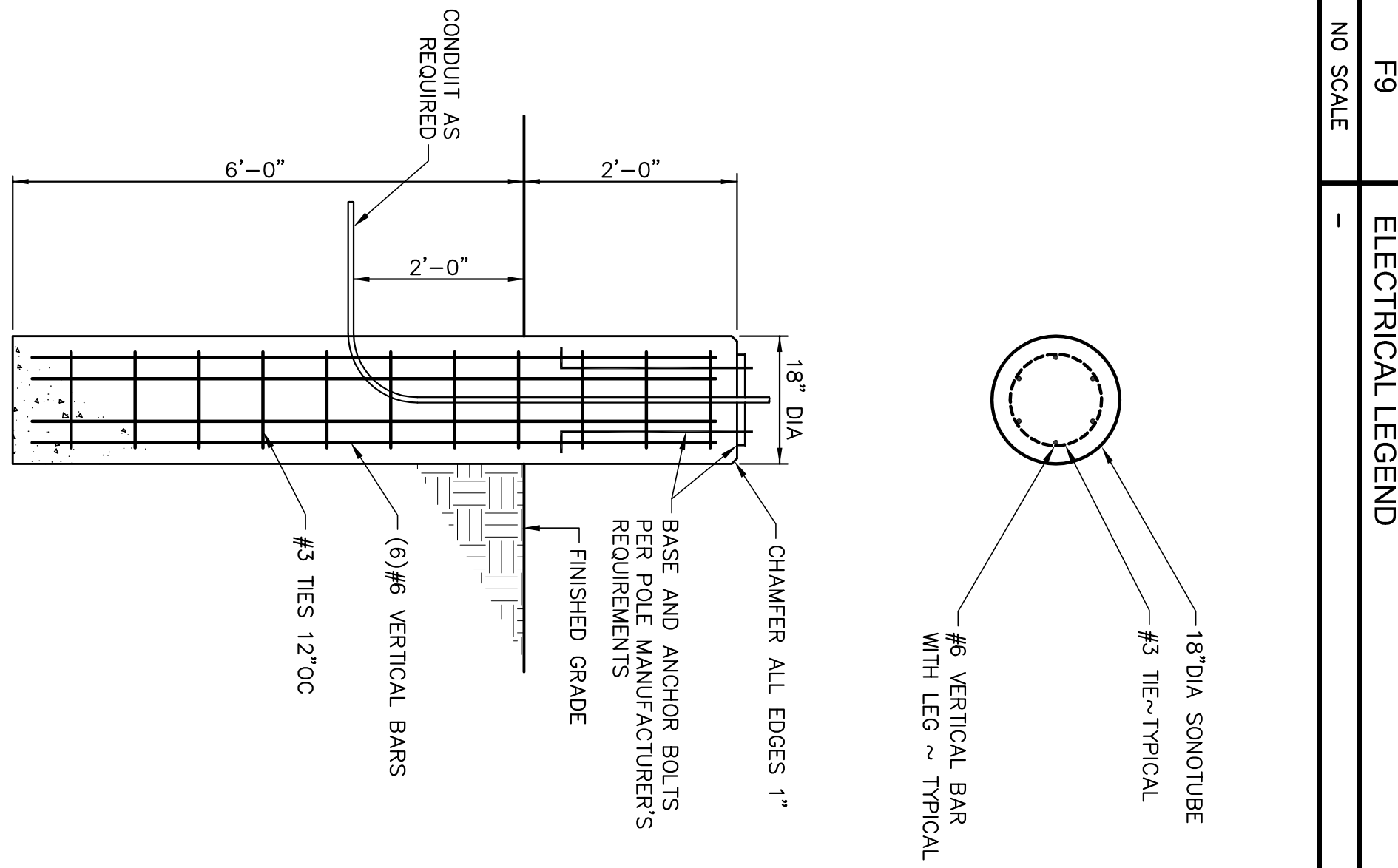
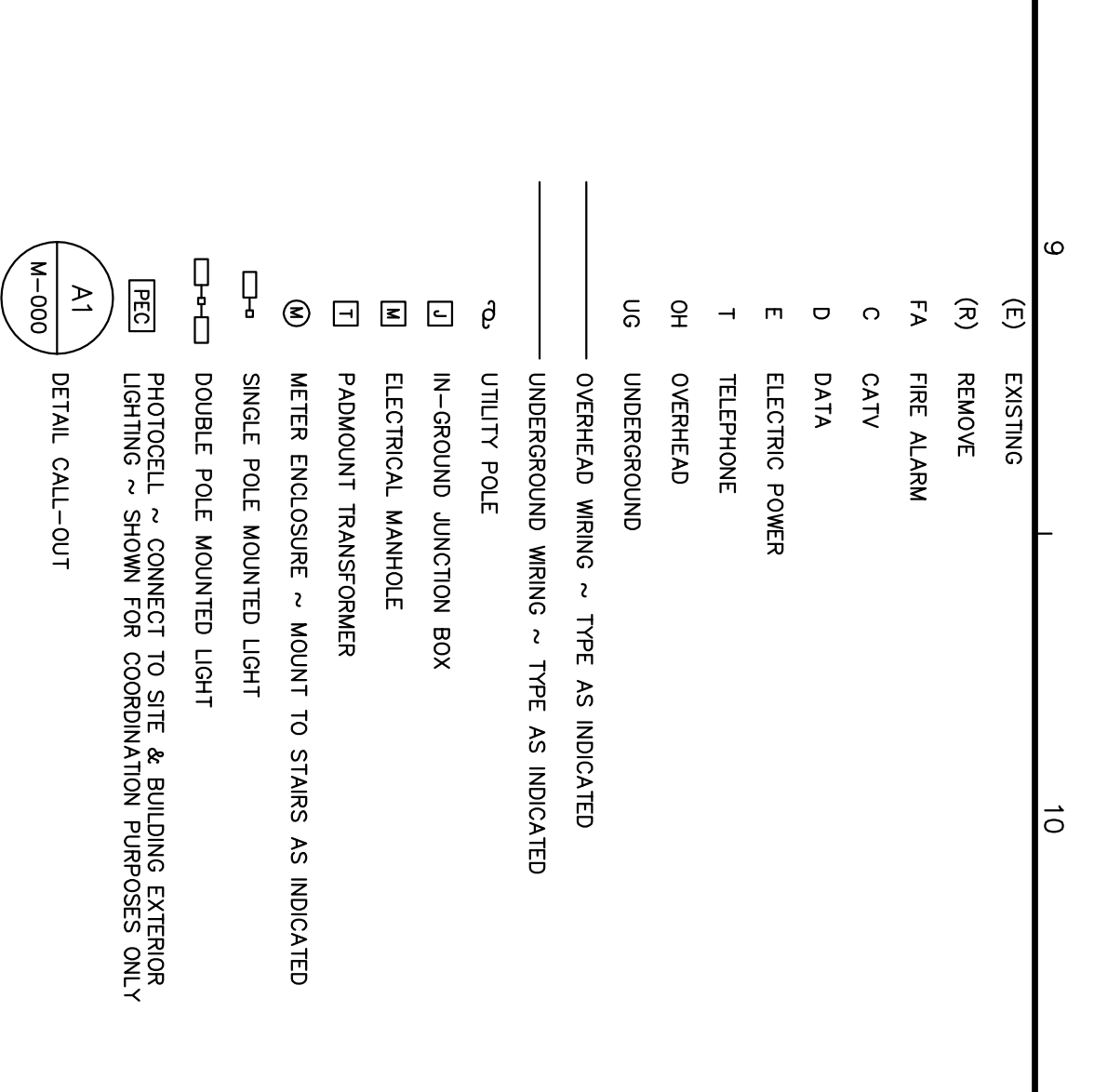
- F7 SITE PLAN GENERAL NOTES
1. POLE BASES, TRANSFORMER PADS AND MANHOLES PROVIDED BY DIVISION 16.
  2. PROTECT ALL EXISTING UNDERGROUND ELECTRIC AND COMMUNICATIONS UTILITIES. WHERE UTILITIES ARE SPECIFICALLY INDICATED ON THE DRAWINGS, THEY SHALL BE PROTECTED. WHERE UTILITIES ARE NOT INDICATED, THEY SHALL BE PROTECTED. WHERE UTILITIES ARE INDICATED TO BE REMOVED, PROVIDE TEMPORARY WIRING AND CONNECTIONS AS REQUIRED.
  3. COORDINATE ALL WORK WITH OTHER DIVISIONS AND THE OWNER.
  4. WHERE EXISTING OVERHEAD WIRING IS INDICATED TO BE REMOVED, REMOVAL SHALL INCLUDE ALL ASSOCIATED POLES, GUTS, ANCHORS, ETC.
  5. EXISTING UNDERGROUND UTILITIES ARE SHOWN IN APPROXIMATE LOCATIONS. VERIFY ACTUAL LOCATION OF UNDERGROUND UTILITIES.
  6. WHERE EXISTING ITEMS SUCH AS POLES LIGHTS ETC. ARE INDICATED TO BE REMOVED, PROVIDE ALL CONDUIT, WIRING, JUNCTION BOXES, CONNECTIONS, ETC. AS REQUIRED FOR CONTINUED OPERATION OF EXISTING ITEMS ON THE SAME CIRCUIT OR FED FROM THE SAME CONDUIT THAT ARE INDICATED TO REMAIN.
  7. SLOPE ALL CONDUITS AWAY FROM THE BUILDING THAT ENTER THE BUILDING FOOTPRINT ~ PROVIDE A WEEP HOLE AT THE LOWEST POINT OF THE CONDUIT.



D7 TYPICAL SITE LTG TRENCH DETAIL  
NO SCALE

G1 CONDUIT ENTRANCE INTO BUILDING  
NO SCALE

B9 LIGHT POLE BASE DETAIL  
NO SCALE ~ FOR ALL SITE LIGHTING, UND ~



**95% REVIEW**  
25 FEB 2005