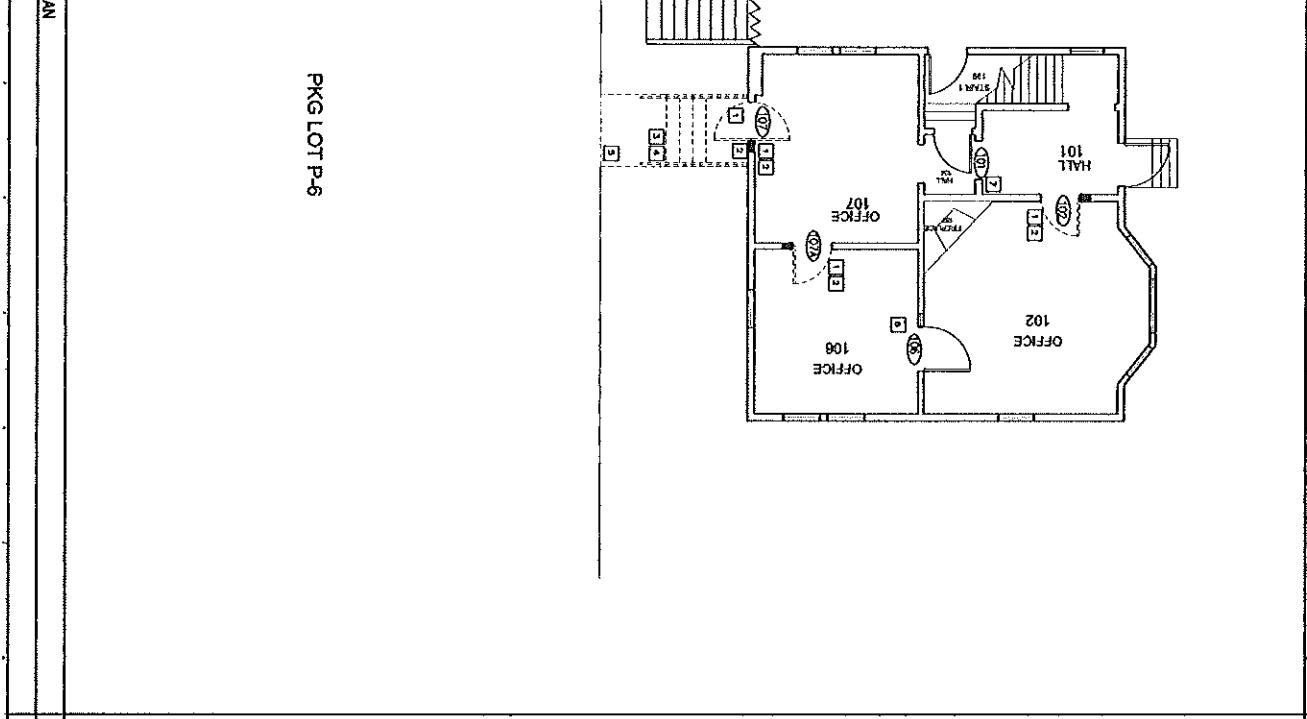
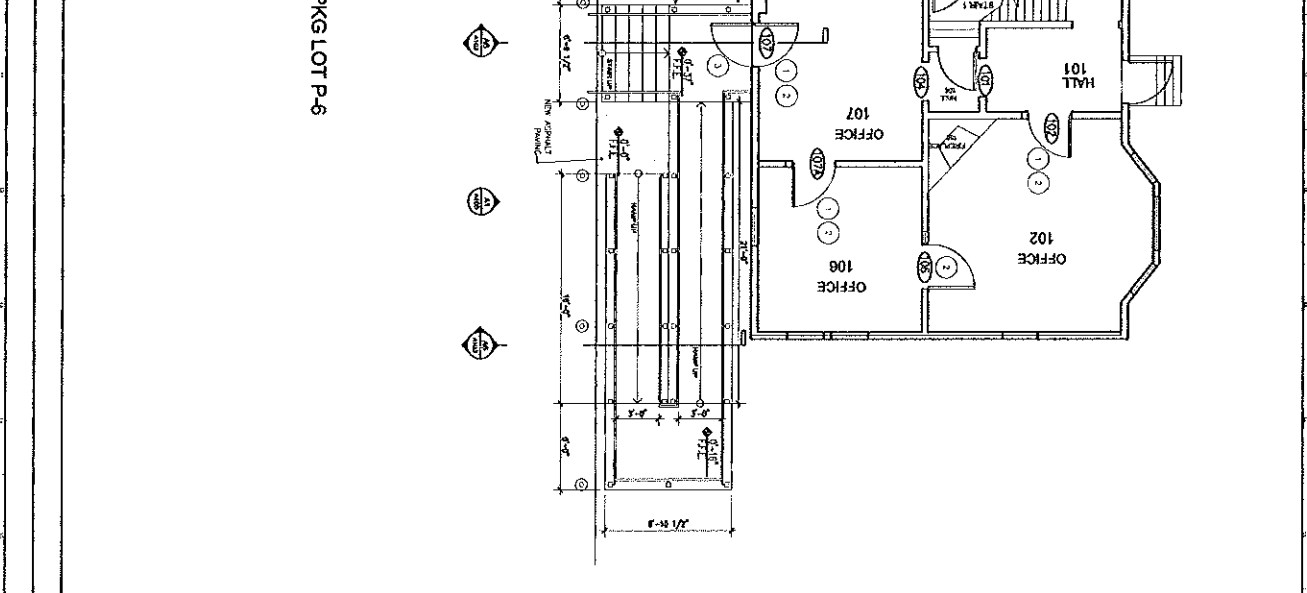


A1 DEMOLITION PLAN  
1/8" = 1'-0"



A9 FLOOR PLAN  
1/8" = 1'-0"



**CONTRACT NOTES:**

- DO NOT SCALE DRAWINGS
- FIELD VERIFY ALL DIMENSIONS FROM EXISTING CONDITIONS. REPORT DISCREPANCIES IMMEDIATELY TO DESIGNER. VERIFY ALL DIMENSIONS AND CONDITIONS BEFORE COMMENCING WORK.
- FIELD VERIFY ALL DIMENSIONS FROM EXISTING CONDITIONS. REPORT DISCREPANCIES IMMEDIATELY TO DESIGNER. VERIFY ALL DIMENSIONS AND CONDITIONS BEFORE COMMENCING WORK.
- FIELD VERIFY ALL DIMENSIONS FROM EXISTING CONDITIONS. REPORT DISCREPANCIES IMMEDIATELY TO DESIGNER. VERIFY ALL DIMENSIONS AND CONDITIONS BEFORE COMMENCING WORK.

**DEMOLITION NOTES:**

- REMOVE EXISTING INTERIOR WALLS
- REMOVE EXISTING INTERIOR WALLS
- REMOVE EXISTING INTERIOR WALLS
- REMOVE EXISTING INTERIOR WALLS
- REMOVE EXISTING INTERIOR WALLS
- REMOVE EXISTING INTERIOR WALLS
- REMOVE EXISTING INTERIOR WALLS

**ISSUED FOR BID**  
07/31/2013

**DESIGN GROUP COLLABORATIVE ARCHITECTURE**  
27 WEST STREET  
PORTLAND, MAINE 04101  
(603) 833-3333

**UNIVERSITY OF ADA UPPSALA**  
27 Foster Street, Portland, Maine

**FLOOR PLAN DEMOLITION PLAN**

**A 101**