

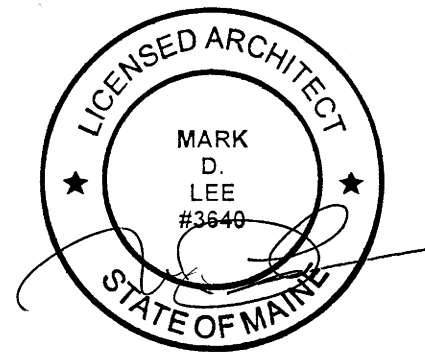
Auburn, ME  
207.784.5100  
Portland, ME  
207.775.0053  
Manchester, NH  
603.626.1242

HARRIMAN

UNIVERSITY OF  
SOUTHERN MAINE  
55 EXETER ST. SBCD  
PROJECT 2015-011.1

PORTLAND, ME

HA Project No. 15317-01



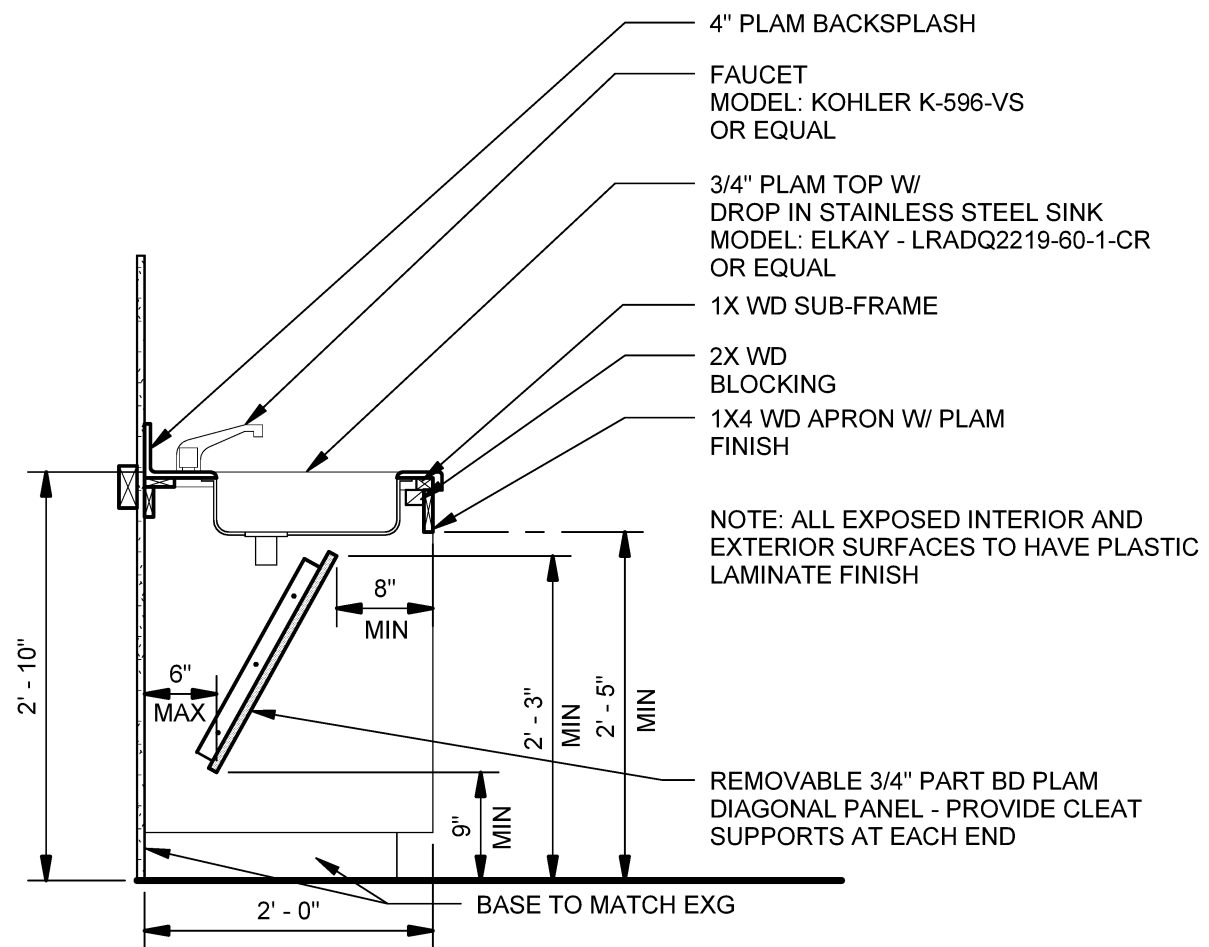
Date	05-19-15
Scale	3/4" = 1'-0"

05-19-15 - ISSUED FOR BID

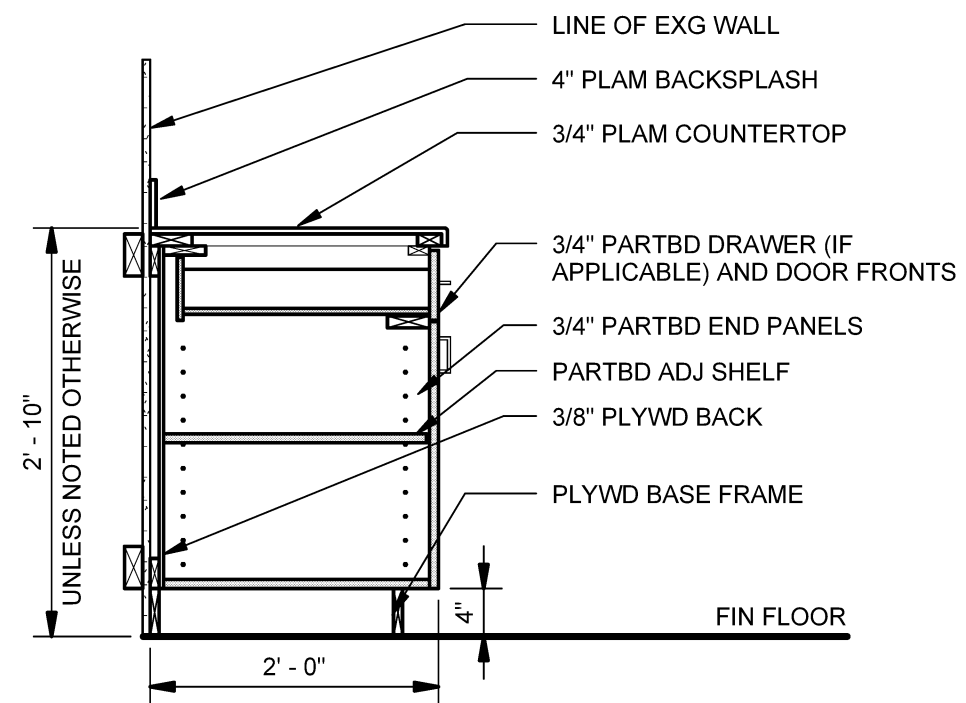
© 2015 Harriman Associates

55 EXETER STREET  
MILLWORK DETAILS AND  
SPECIFICATIONS

A10.3



NOTE: ALL EXPOSED INTERIOR AND EXTERIOR  
SURFACES TO HAVE PLASTIC LAMINATE FINISH



**A1** ACCESSIBLE SINK BASE  
SCALE: 3/4" = 1'-0"

**A2** BASE / WALL CABINET  
SCALE: 3/4" = 1'-0"