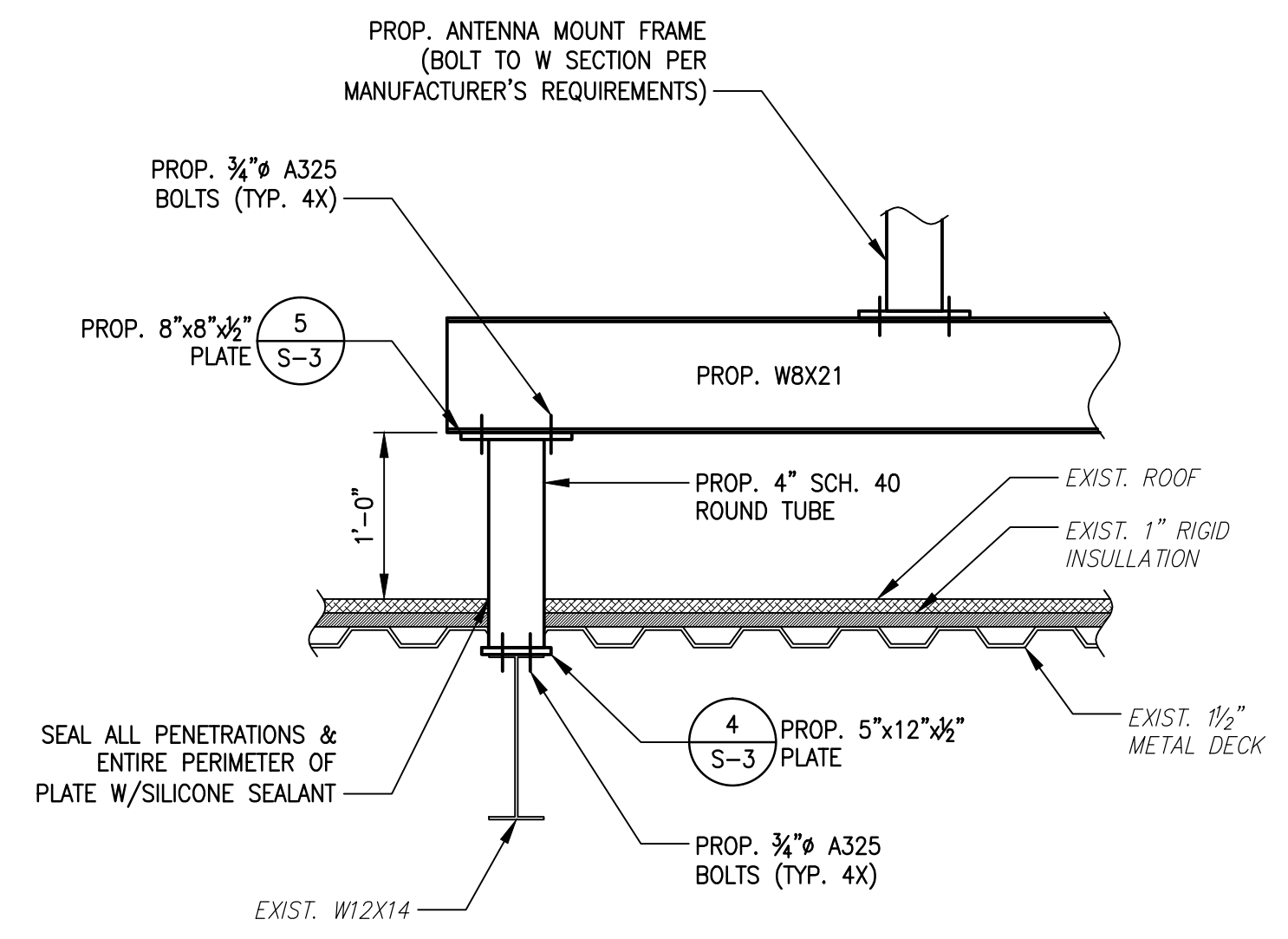
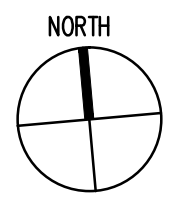
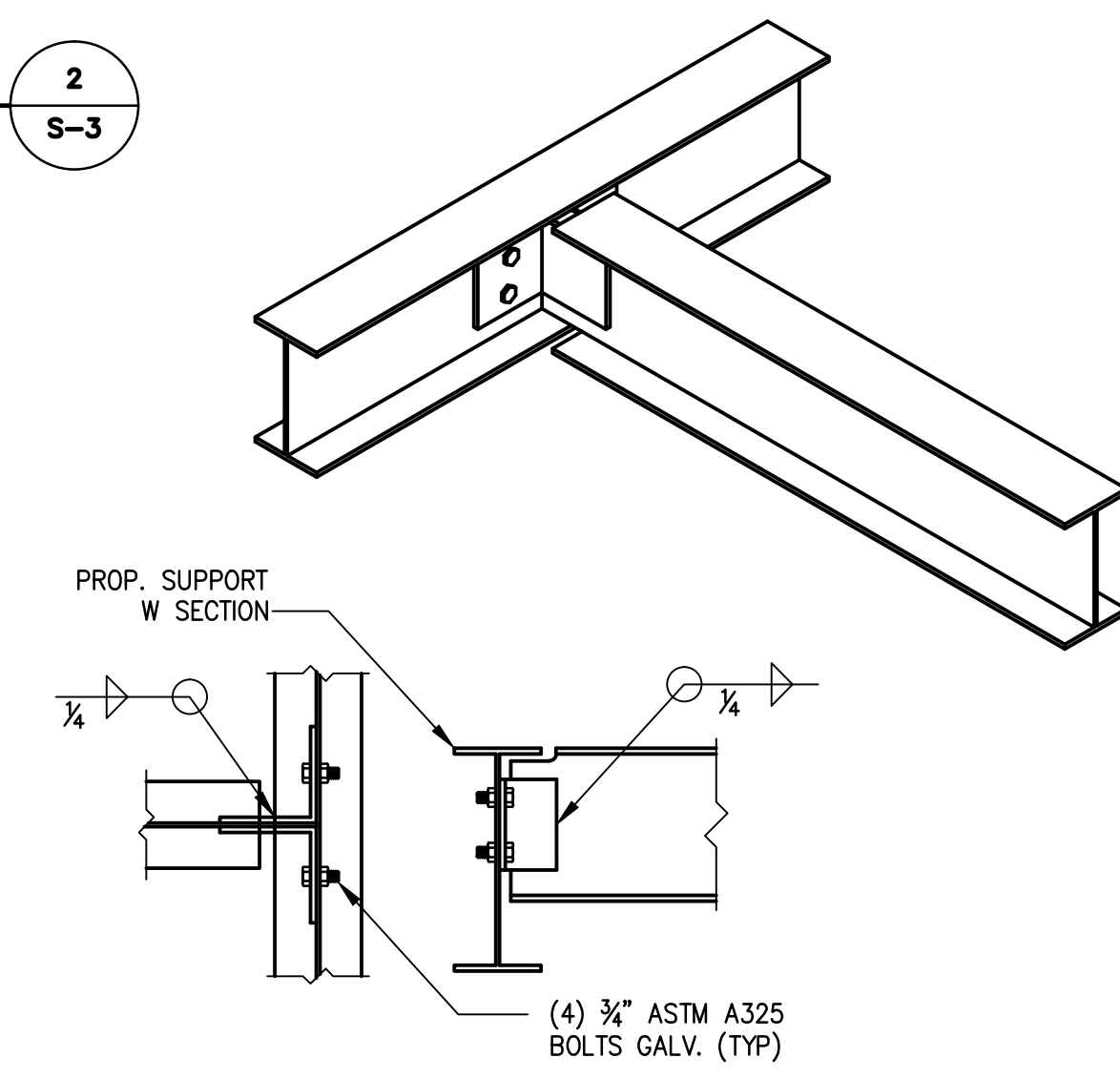


ANTENNA FRAMING PLAN
SCALE: 1/2" = 1'-0"
0 1' 2' 4' 6'

1
S-3

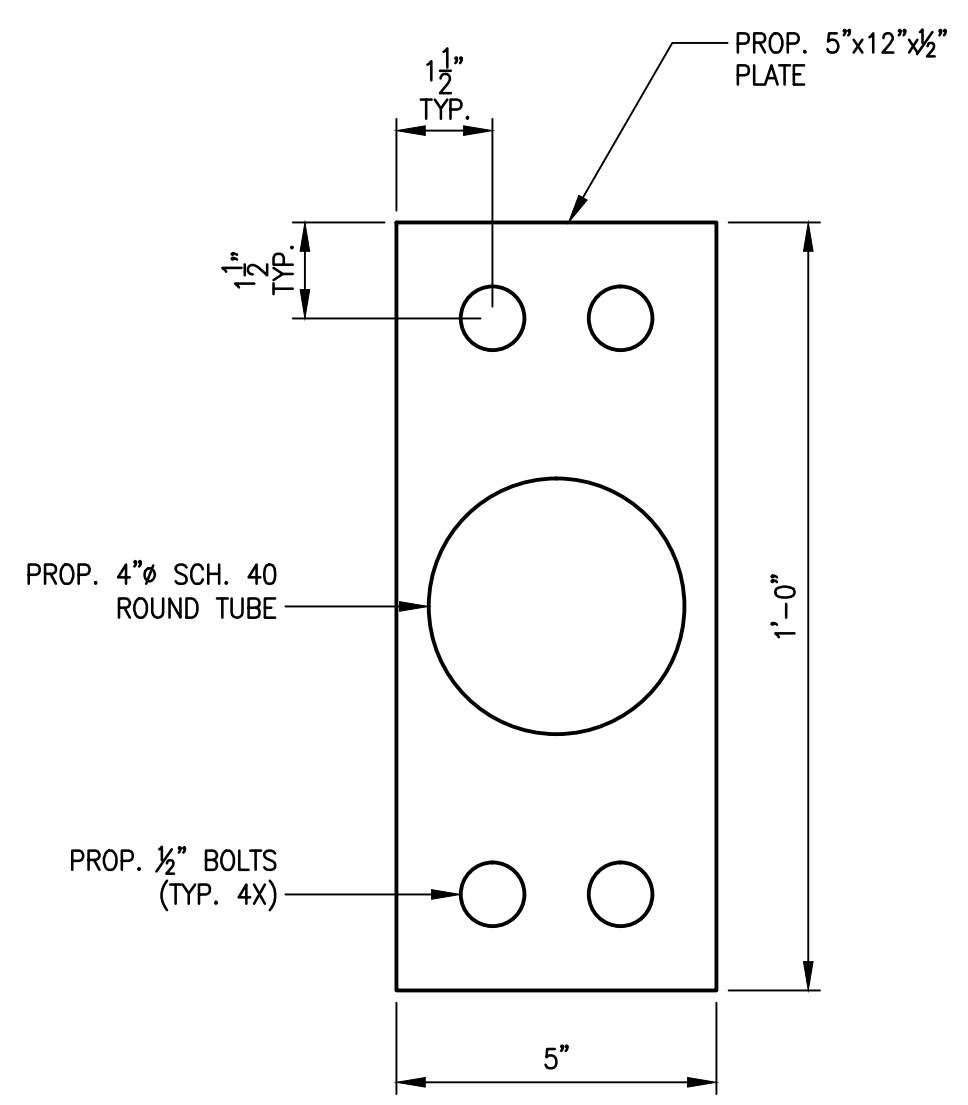


PENETRATION DETAIL
SCALE: NOT TO SCALE



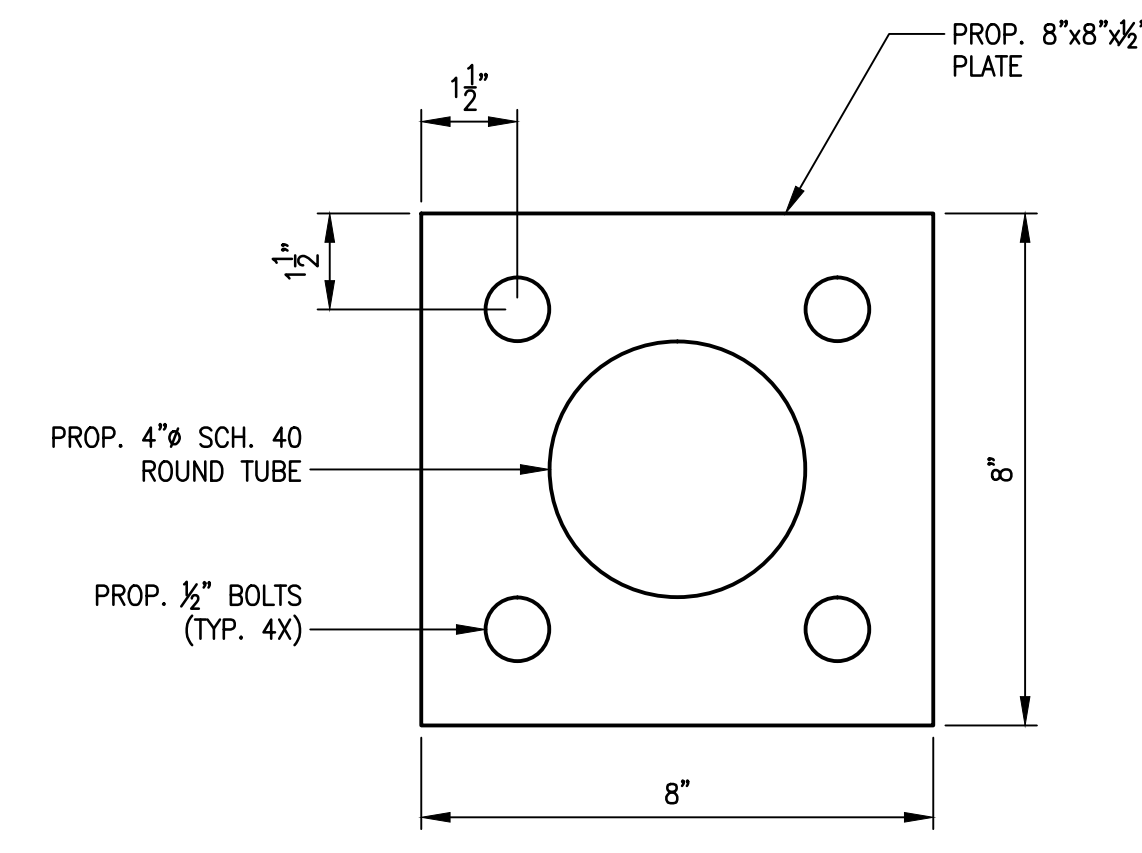
TYPICAL BEAM TO BEAM CONN.
SCALE: NOT TO SCALE

3
S-3



LOWER PLATE DETAIL
SCALE: NOT TO SCALE

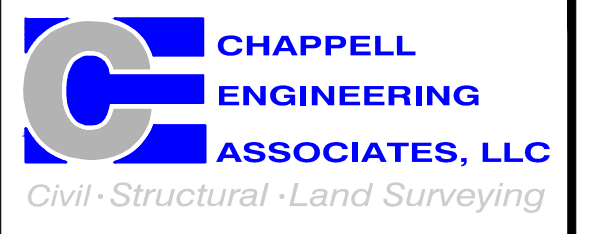
4
S-3



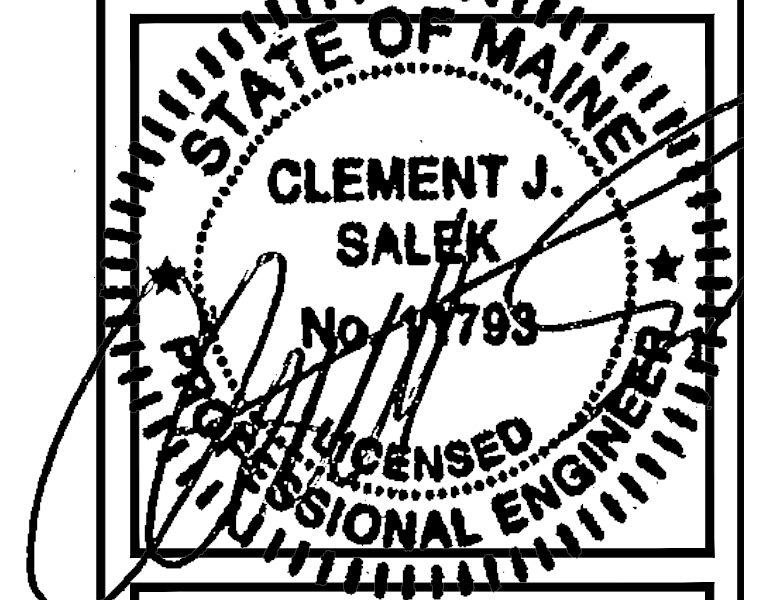
UPPER PLATE DETAIL
SCALE: NOT TO SCALE

5
S-3

T-MOBILE NORTHEAST, LLC
15 COMMERCE WAY, SUITE B
NORTON, MA 02766
OFFICE: (508) 286-2700
FAX: (508) 286-2893



R.K. EXECUTIVE CENTRE
201 BOSTON POST ROAD WEST
SUITE 301
MARLBOROUGH, MA 01752
(508) 481-7400
www.chappellengineering.com



APPROVALS

LANDLORD _____

LEASING _____

R.F. _____

ZONING _____

CONSTRUCTION _____

A/E _____

PROJECT NO: 4PB-1204-B

DRAWN BY: CMC

CHECKED BY: JMT

SUBMITTALS		
1	07/27/15	CONSTRUCTION FINAL
0	12/17/14	ISSUED FOR REVIEW

THIS DOCUMENT IS THE CREATION, DESIGN, PROPERTY AND COPYRIGHTED WORK OF T-MOBILE NORTHEAST, LLC. ANY DUPLICATION OR USE WITHOUT EXPRESS WRITTEN CONSENT IS STRICTLY PROHIBITED. DUPLICATION AND USE BY GOVERNMENT AGENCIES FOR THE PURPOSES OF CONDUCTING THEIR LAWFULLY AUTHORIZED REGULATORY AND ADMINISTRATIVE FUNCTIONS IS SPECIFICALLY ALLOWED.

4PB-1204-B
DEERING AVE
LAW LIBRARY
232 DEERING AVENUE
PORTLAND, ME 04102

SHEET TITLE
STRUCTURAL SECTIONS & DETAILS - ANTENNAS

SHEET NUMBER
S-3