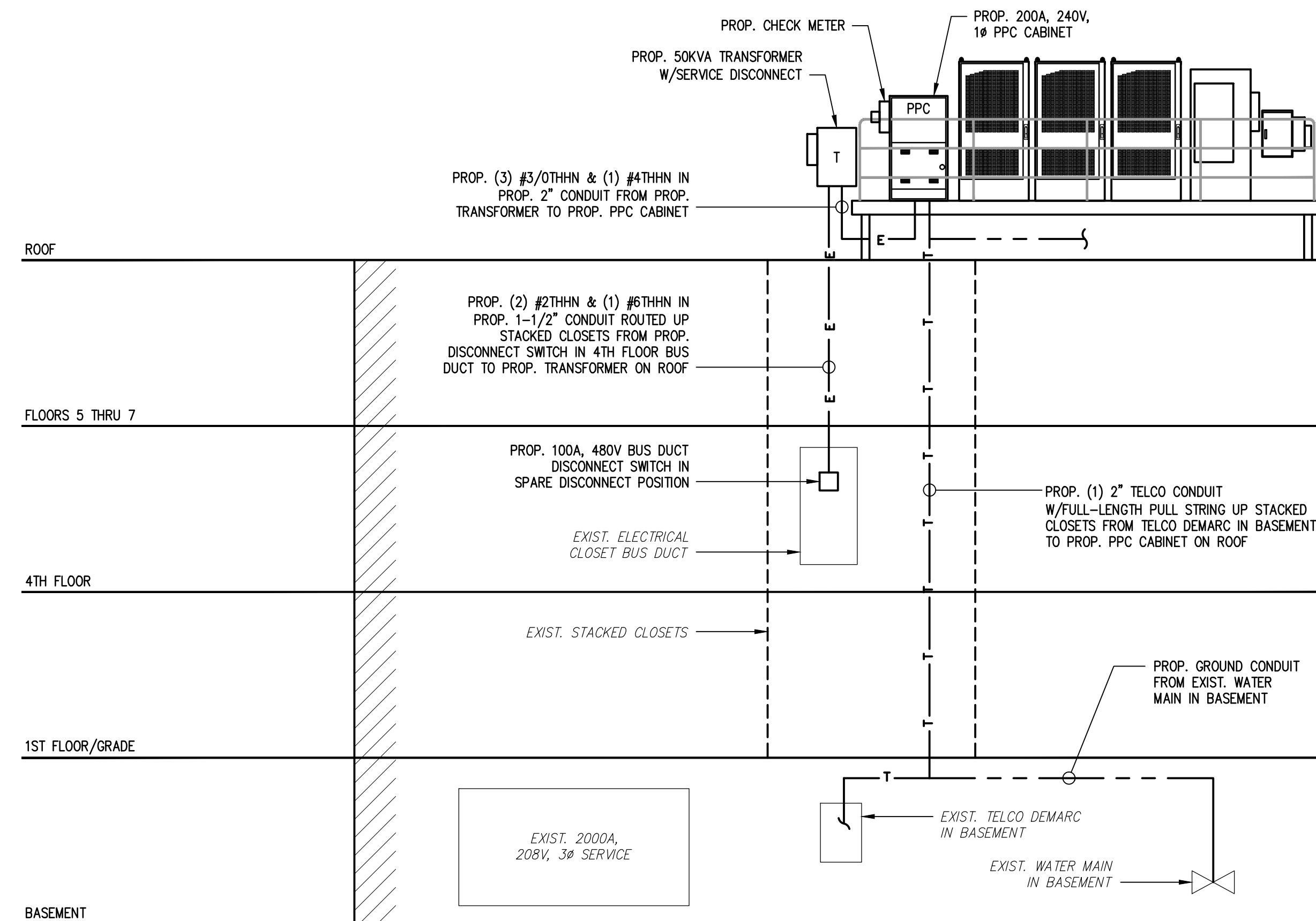
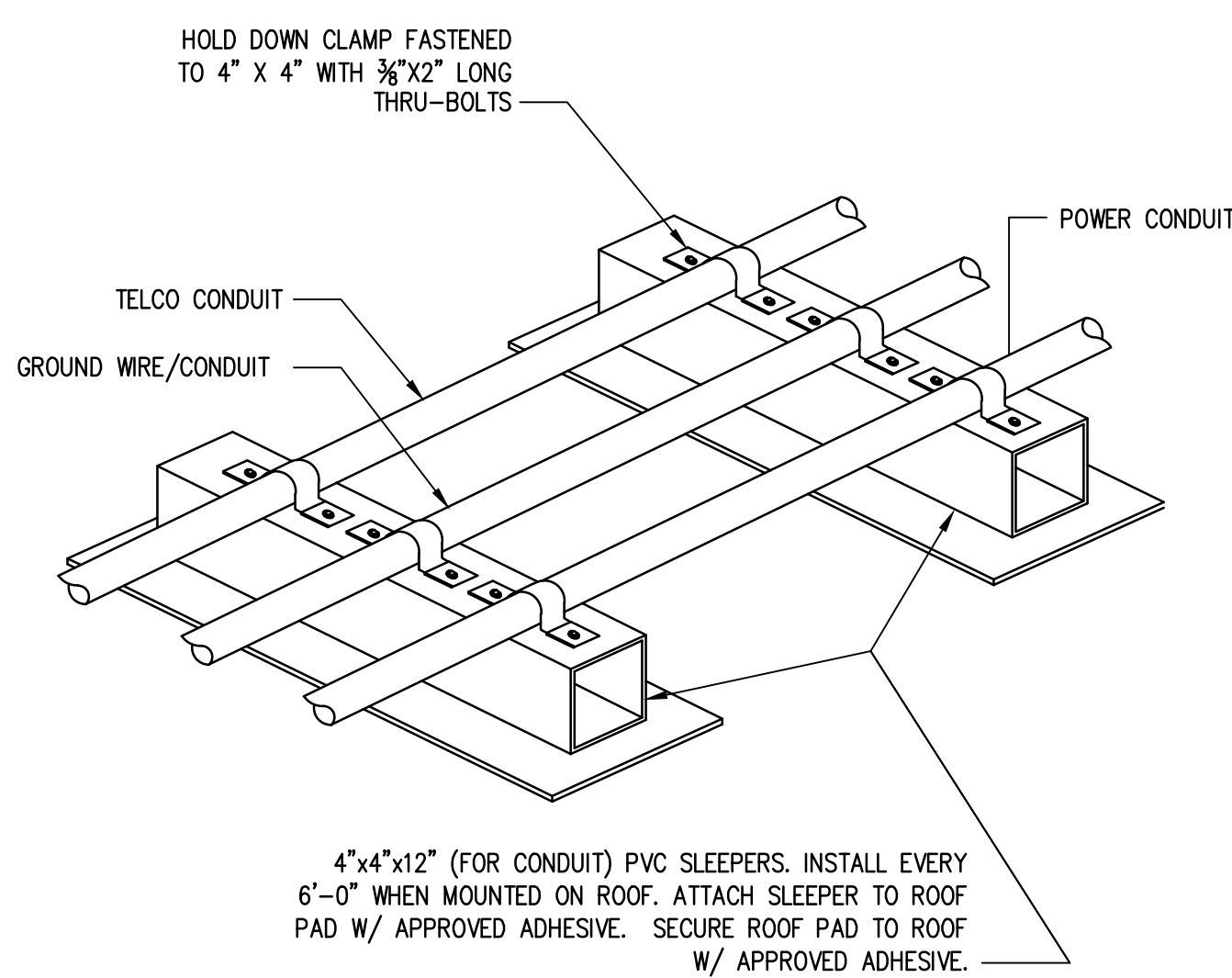


ONE-LINE DIAGRAM 1  
E-1

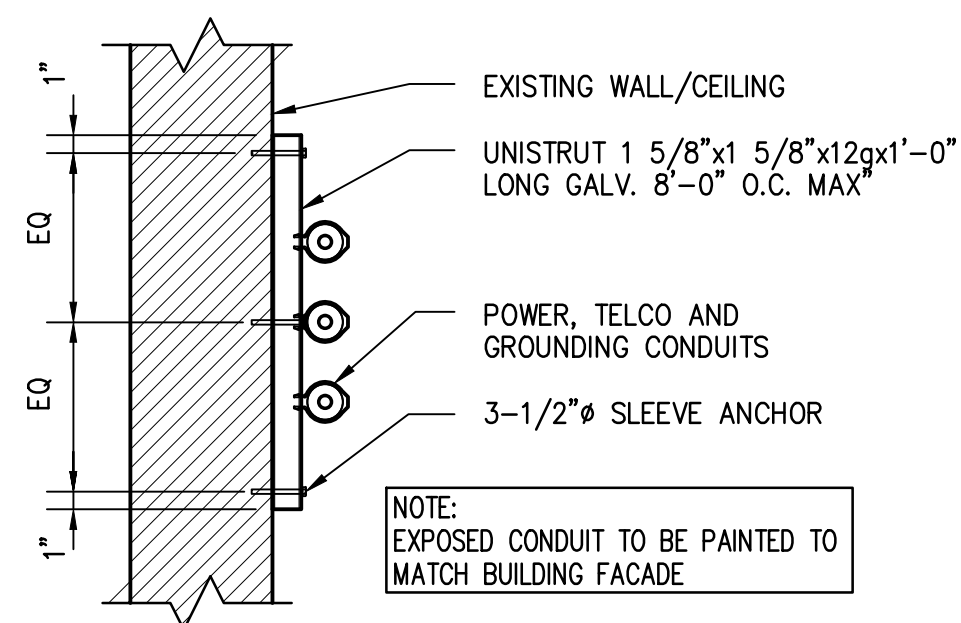


POWER/TELCO RISER DIAGRAM 2  
E-1



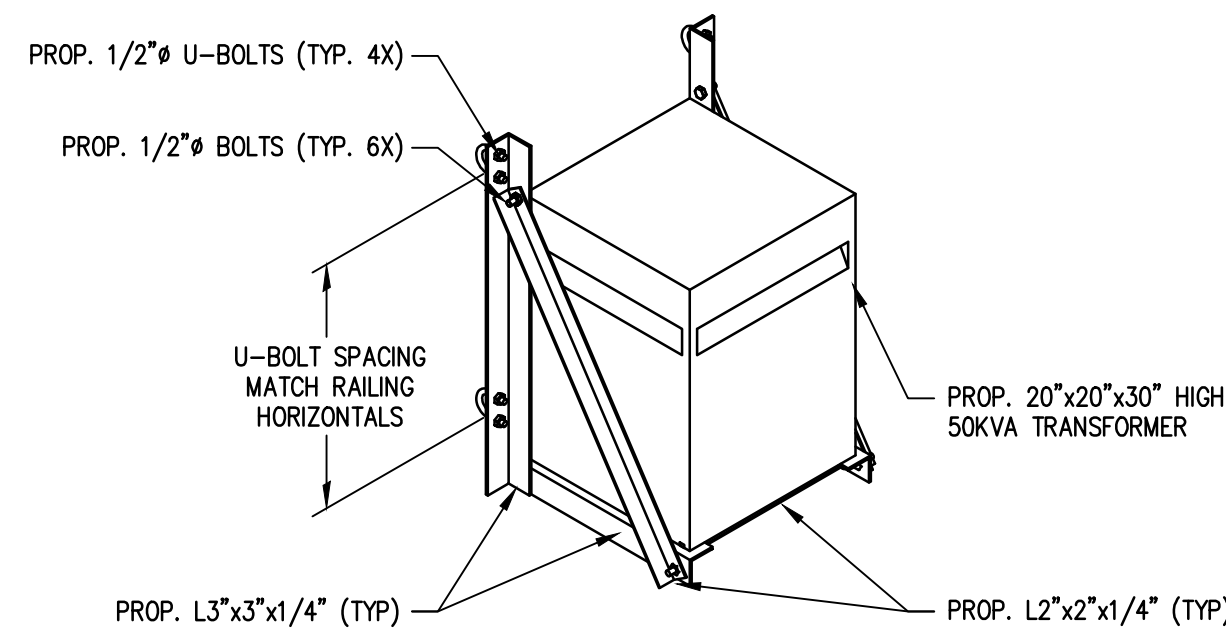
NOTE:  
PVC SLEEPERS TO BE FILLED WITH CONCRETE EVERY 10'-0".

CONDUIT SUPPORT ON ROOF 3  
E-1



NOTE:  
EXPOSED CONDUIT TO BE PAINTED TO MATCH BUILDING FACADE

CONDUIT MOUNTING DETAIL 4  
E-1



RAIL MOUNTED TRANSFORMER 5  
E-1

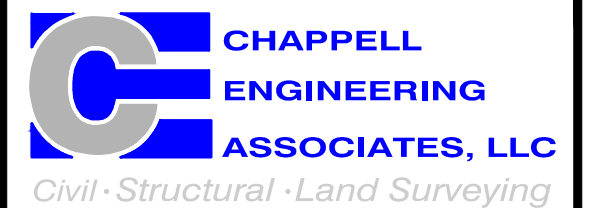
ELECTRICAL LEGEND

- NEW PANEL BOARD, SURFACE MOUNTED
- EXISTING PANEL BOARD, SURFACE MOUNTED
- DRY TYPE TRANSFORMER
- METER
- CIRCUIT BREAKER
- NON-FUSIBLE DISCONNECT SWITCH, MOUNTED 54" A.F.F.
- FUSIBLE DISCONNECT SWITCH, MOUNTED 54" A.F.F.
- TRANSIENT VOLTAGE SURGE SUPPRESSOR WITH BUILT-IN FUSES, SURFACE MOUNTED
- DUPLEX OUTLET, SURFACE MOUNTED, 20 AMPS, 125 VOLTS, SINGLE PHASE
- JUNCTION BOX, SURFACE MOUNTED 18" A.F.F.
- EXPOSED WIRING
- HOME RUNS, MINIMUM 2#10 + 1#10G IN 3/4" CONDUIT U.O.N.
- A.F.F. ABOVE FINISHED FLOOR
- U.O.N. UNLESS OTHERWISE NOTED
- WP WEATHERPROOF
- GFI GROUND FAULT INTERRUPTER
- A AMPERE
- V VOLT
- KWH KILOWATT - HOUR
- C CONDUIT
- GRC GALVANIZED RIGID CONDUIT
- PPC POWER PROTECTION CABINET

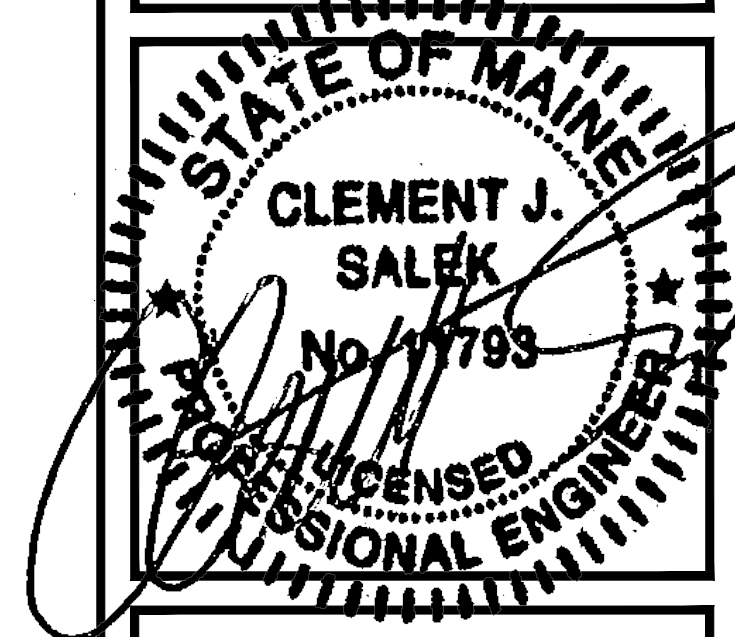
ELECTRICAL NOTES

1. ALL ELECTRICAL WORK SHALL CONFORM TO THE REQUIREMENTS OF THE NATIONAL ELECTRICAL CODE (NEC) AS WELL AS APPLICABLE STATE AND LOCAL CODES.
2. ALL ELECTRICAL ITEMS SHALL BE U.L. APPROVED OR LISTED AND PROCURED PER SPECIFICATION REQUIREMENTS.
3. THE ELECTRICAL WORK INCLUDES ALL LABOR AND MATERIAL DESCRIBED BY DRAWINGS AND SPECIFICATION INCLUDING INCIDENTAL WORK TO PROVIDE COMPLETE OPERATING AND APPROVED ELECTRICAL SYSTEM.
4. GENERAL CONTRACTOR SHALL PAY FEES FOR PERMITS, AND IS RESPONSIBLE FOR OBTAINING SAID PERMITS AND COORDINATION OF INSPECTIONS.
5. ELECTRICAL AND TELCO WIRING OUTSIDE A BUILDING AND EXPOSED TO WEATHER SHALL BE IN WATER TIGHT GALVANIZED RIGID STEEL CONDUITS OR SCHEDULE 80 PVC (AS PERMITTED BY CODE) AND WHERE REQUIRED IN LIQUID TIGHT FLEXIBLE METAL OR NONMETALLIC CONDUITS.
6. BURIED CONDUIT SHALL BE SCHEDULE 40 PVC.
7. ELECTRICAL WIRING SHALL BE COPPER WITH TYPE XHHW, THHN, OR THHN/SULON.
8. RUN ELECTRICAL CONDUIT OR CABLE BETWEEN ELECTRICAL UTILITY DEMARCATION POINT AND PROJECT OWNER CELL SITE PPC AS INDICATED ON THIS DRAWING. PROVIDE FULL LENGTH PULL ROPE. COORDINATE INSTALLATION WITH UTILITY COMPANY.
9. RUN TELCO CONDUIT OR CABLE BETWEEN TELEPHONE UTILITY DEMARCATION POINT AND PROJECT OWNER CELL SITE TELCO SERVICE CABINET AND BTS CABINET AS INDICATED ON THIS DRAWING. PROVIDE FULL LENGTH PULL ROPE IN INSTALLED TELCO CONDUIT. PROVIDE GREENLEE CONDUIT MEASURING TAPE AT EACH END.
10. WHERE CONDUIT BETWEEN BTS AND PROJECT OWNER CELL SITE PPC AND BETWEEN BTS AND PROJECT OWNER CELL SITE TELCO SERVICE CABINET ARE UNDERGROUND USE PVC, SCHEDULE 40 CONDUIT. ABOVE THE GROUND PORTION OF THESE CONDUITS SHALL BE PVC CONDUIT.
11. ALL EQUIPMENT LOCATED OUTSIDE SHALL HAVE NEMA 3R ENCLOSURE.
12. PPC SUPPLIED BY PROJECT OWNER.

T-MOBILE NORTHEAST, LLC  
15 COMMERCE WAY, SUITE B  
NORTON, MA 02766  
OFFICE: (508) 286-2700  
FAX: (508) 286-2893



R.K. EXECUTIVE CENTRE  
201 BOSTON POST ROAD WEST  
SUITE 301  
MARLBOROUGH, MA 01752  
(508)481-7400  
www.chappellengineering.com



APPROVALS

LANDLORD \_\_\_\_\_  
LEASING \_\_\_\_\_  
R.F. \_\_\_\_\_  
ZONING \_\_\_\_\_  
CONSTRUCTION \_\_\_\_\_  
A/E \_\_\_\_\_

PROJECT NO: 4PB-1204-B

DRAWN BY: CMC

CHECKED BY: JMT

SUBMITTALS

1	07/27/15	CONSTRUCTION FINAL
0	12/17/14	ISSUED FOR REVIEW

THIS DOCUMENT IS THE CREATION, DESIGN, PROPERTY AND COPYRIGHTED WORK OF T-MOBILE NORTHEAST, LLC. ANY DUPLICATION OR USE WITHOUT EXPRESS WRITTEN CONSENT IS STRICTLY PROHIBITED. DUPLICATION AND USE BY GOVERNMENT AGENCIES FOR THE PURPOSES OF CONDUCTING THEIR LAWFULLY AUTHORIZED REGULATORY AND ADMINISTRATIVE FUNCTIONS IS SPECIFICALLY ALLOWED.

4PB-1204-B

DEERING AVE  
LAW LIBRARY

232 DEERING AVENUE  
PORTLAND, ME 04102

SHEET TITLE

ELECTRICAL NOTES,  
DIAGRAMS & DETAILS

SHEET NUMBER

E-1