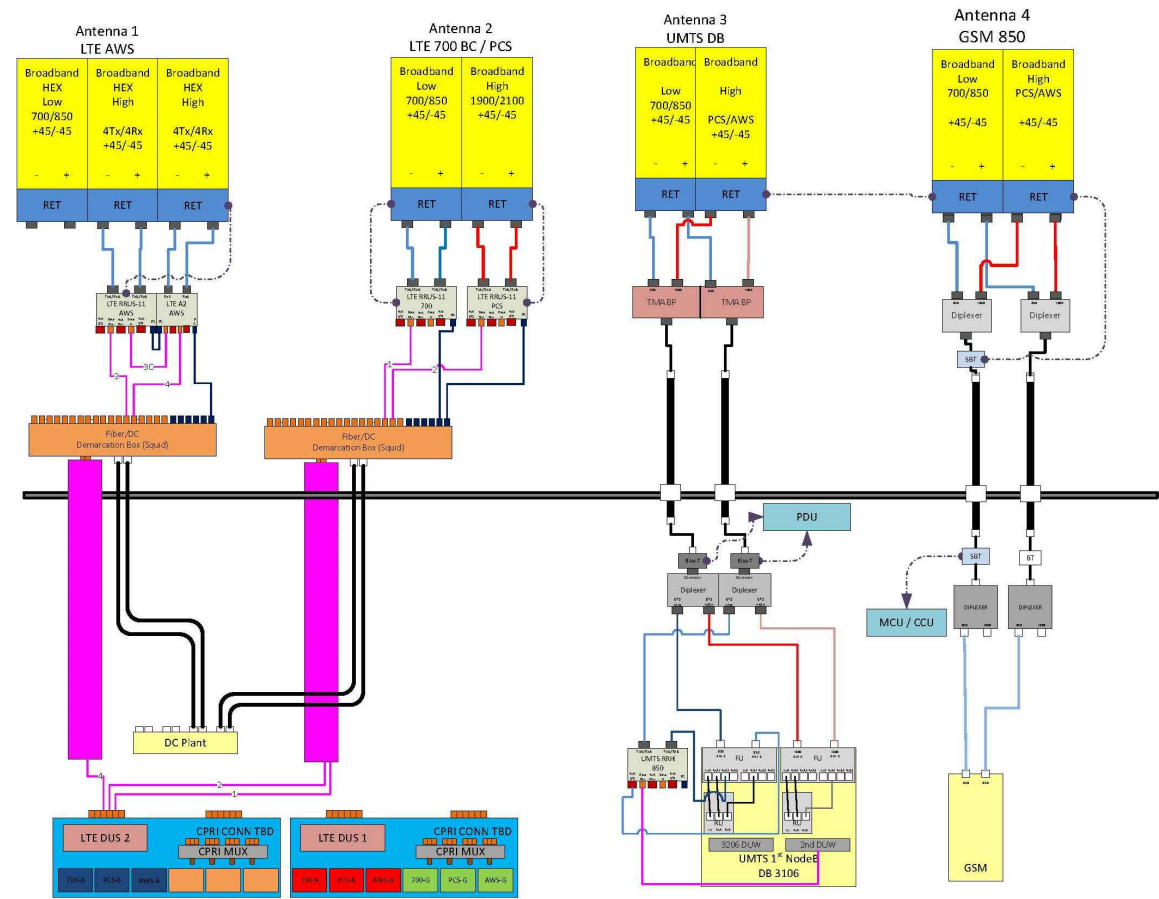
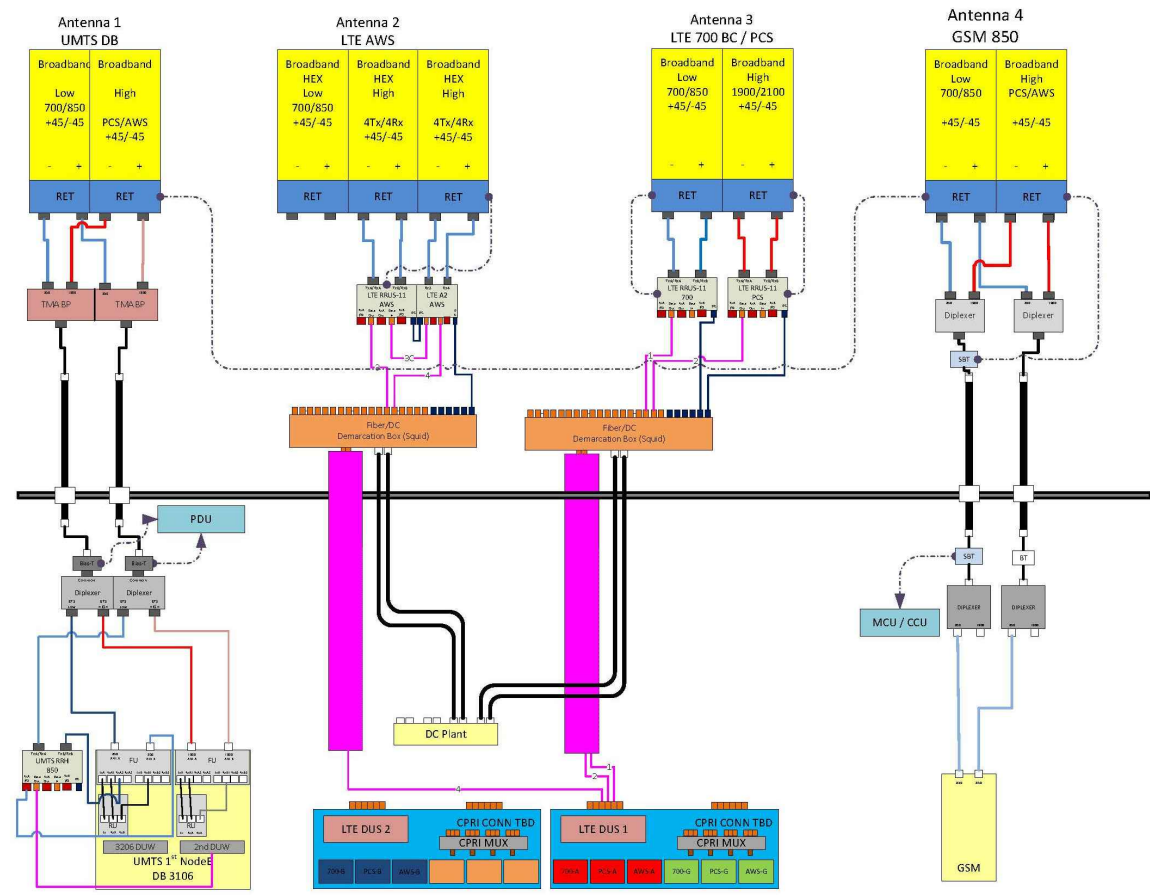


Diagram - Sector A
 Atol Site Name - MEV5045
 Comments:

Diagram File Name - ME5045_LTE3C_Bronze_A_Rev1.vsd
 Location Name - PORTLAND USM 5045
 Market - BOSTON
 Market Cluster - NEW ENGLAND

Diagram - Sector B
 Atol Site Name - MEV5045
 Comments:

Diagram File Name - ME5045_LTE3C_Bronze_B_Rev1.vsd
 Location Name - PORTLAND USM 5045
 Market - BOSTON
 Market Cluster - NEW ENGLAND



- NOTES:**
1. CONTRACTOR TO CONFIRM ALL PARTS.
 2. INSTALL ALL EQUIPMENT TO MANUFACTURER'S RECOMMENDATIONS.

NOTE:
 REFER TO THE FINAL RF DATA SHEET FOR FINAL ANTENNA SETTINGS.

RF PLUMBING DIAGRAM 1
 SCALE: N.T.S. RF-1

Hudson Design Group, Inc.
 1600 OSGOOD STREET
 BUILDING 20 NORTH, SUITE 3090
 N. ANDOVER, MA 01845
 TEL: (978) 557-5553
 FAX: (978) 336-5586

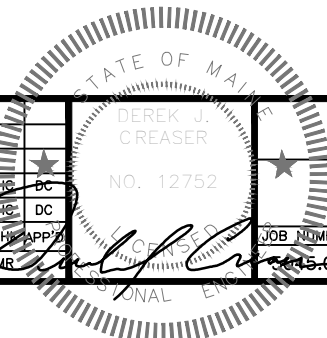
EMPIRE telecom
 16 ESQUIRE ROAD
 BILLERICA, MA 01862
 TEL: (978) 608-8400

SITE NUMBER: ME5045
SITE NAME: PORTLAND USM
 246 DEERING AVENUE
 PORTLAND, ME 04102
 CUMBERLAND COUNTY

at&t
 550 COCHITUATE ROAD
 FRAMINGHAM, MA 01701

NO.	DATE	REVISIONS	BY	CHK	APP
1	07/16/15	ISSUED FOR PERMITTING	HC	MR	DC
0	12/12/14	ISSUED FOR REVIEW	MR	MR	DC

SCALE: AS SHOWN DESIGNED BY: HC DRAWN BY: MR



AT&T
 RF PLUMBING DIAGRAM
 (LTE-3C 2015)
 DRAWING NUMBER: RF-1
 REV: 1