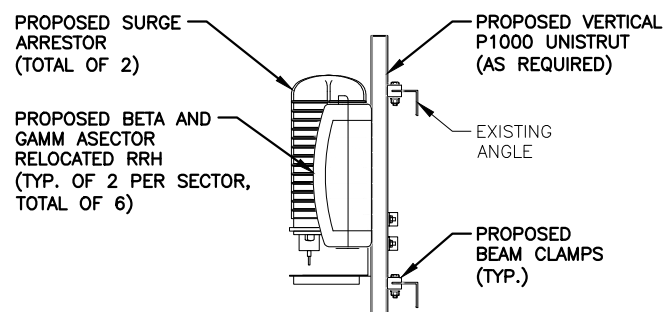
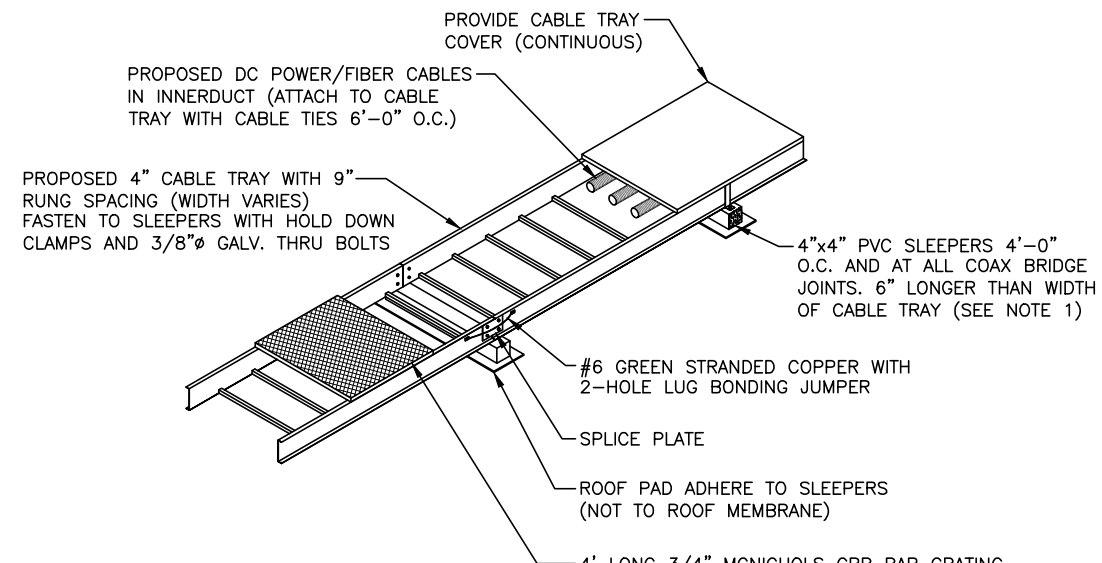


PROPOSED RRH & SURGE ARRESTOR MOUNTING DETAIL (BETA & GAMMA SECTOR)
SCALE: N.T.S. 1
A-5

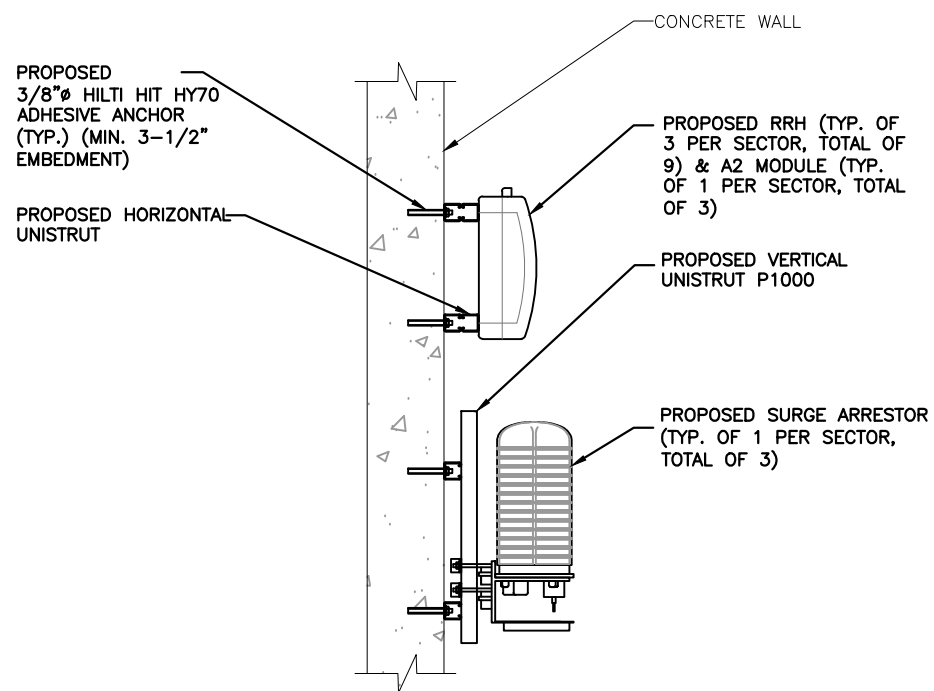


EXISTING RRH & SURGE ARRESTOR MOUNTING DETAIL (BETA & GAMMA SECTOR)
SCALE: N.T.S. 2
A-5



CABLE TRAY DETAIL
SCALE: N.T.S. 3
A-5

NOTE:
1. PVC SLEEPERS FILLED WITH CONCRETE EVERY 8'-0".



PROPOSED RRH / SURGE ARRESTOR MOUNTING DETAIL (ALPHA SECTOR)
SCALE: N.T.S. 4
A-5

NOTE:
REFER TO STRUCTURAL ANALYSIS BY: HUDSON DESIGN GROUP, LLC, DATED: JANUARY 15, 2015, FOR THE CAPACITY OF THE EXISTING STRUCTURES TO SUPPORT THE PROPOSED EQUIPMENT.

NOTE:
REFER TO THE FINAL RF DATA SHEET FOR FINAL ANTENNA SETTINGS.

NOTE:
PAINT ALL VISIBLE PROPOSED EQUIPMENT TO MATCH EXISTING SURROUNDINGS

NO.	DATE	REVISIONS	BY	CHK	APP
1	07/16/15	ISSUED FOR PERMITTING	HC	MR	DC
0	12/12/14	ISSUED FOR REVIEW	MR	MR	DC
		REVISIONS	BY	CHK	APP

SCALE: AS SHOWN DESIGNED BY: HC DRAWN BY: MR

