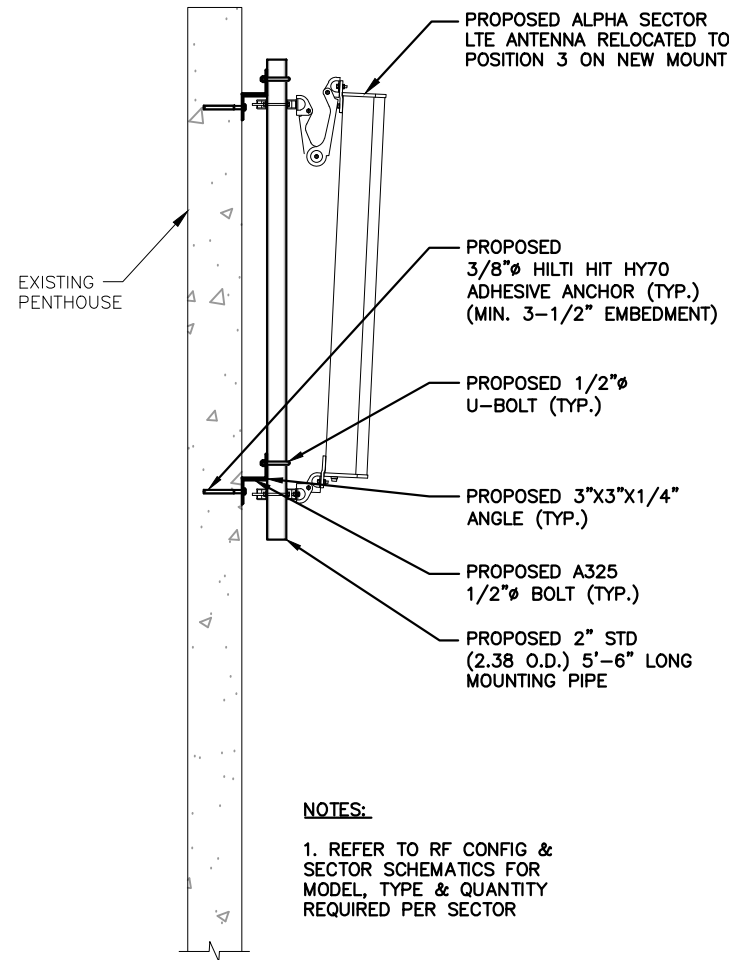


PROPOSED LTE ANTENNA MOUNTING DETAIL (ALPHA SECTOR)

SCALE: N.T.S

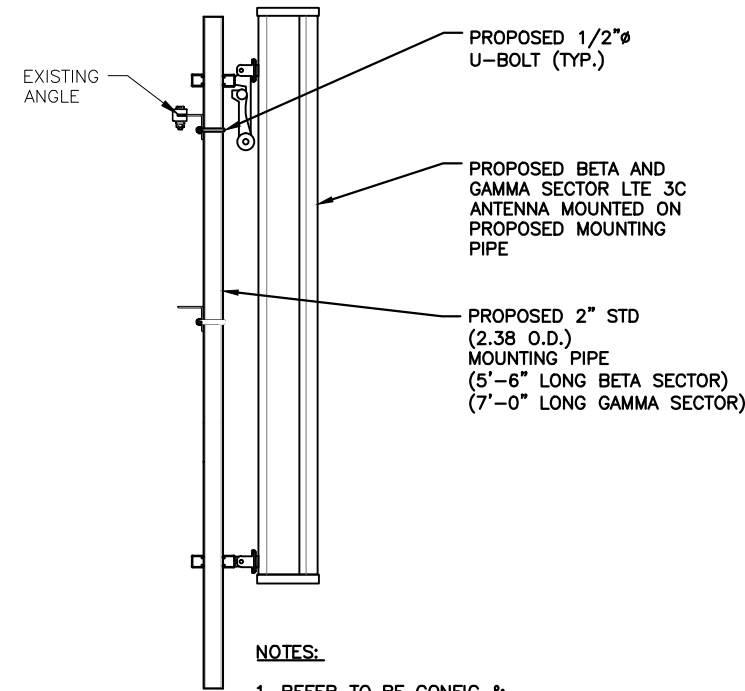
1
A-4



RELOCATED LTE ANTENNA MOUNTING DETAIL (ALPHA SECTOR)

SCALE: N.T.S

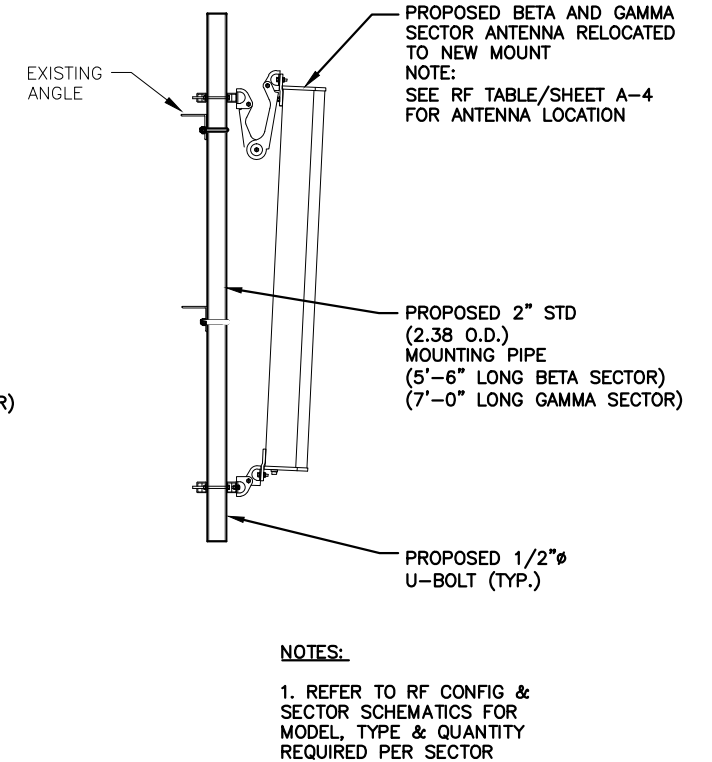
2
A-4



PROPOSED LTE ANTENNA MOUNTING DETAIL (BETA & GAMMA SECTOR)

SCALE: N.T.S

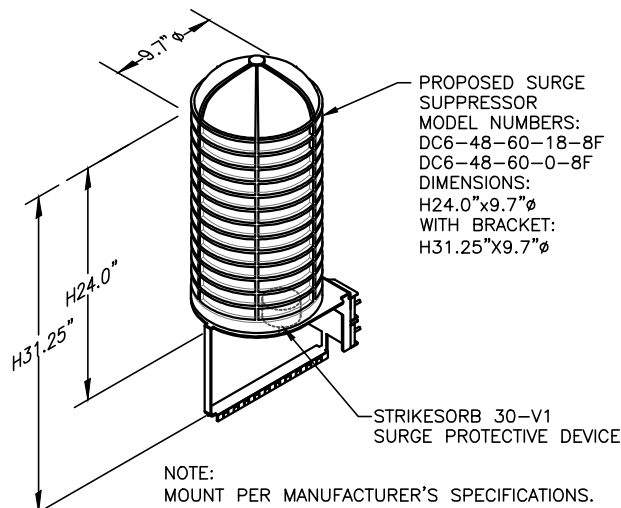
3
A-4



EXISTING ANTENNA MOUNTING DETAIL (BETA & GAMMA SECTOR)

SCALE: N.T.S

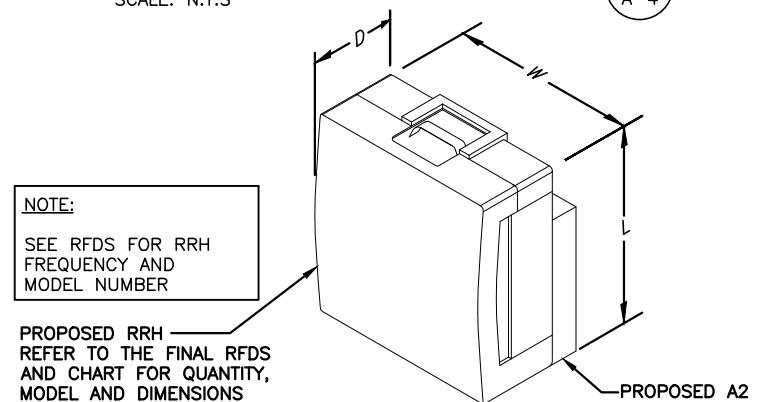
4
A-4



DC SURGE SUPPRESSOR DETAIL

SCALE: N.T.S

5
A-4



| | L | W | D |
|-----------|-------|-------|------|
| RRUS - 11 | 19.7" | 17.0" | 7.2" |
| RRUS - 12 | 20.4" | 18.5" | 7.5" |
| LTE - A2 | 16.4" | 15.2" | 3.4" |

NOTE:
MOUNT PER MANUFACTURER'S SPECIFICATIONS.

RRH DETAIL

SCALE: N.T.S

6
A-4

NOTES:

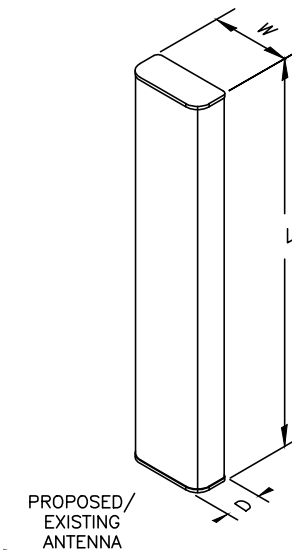
1. REFER TO RF CONFIG & SECTOR SCHEMATICS FOR MODEL, TYPE & QUANTITY REQUIRED PER SECTOR

| TECHNOLOGY | POSITION | ANTENNA MODEL | L | W | D |
|----------------|----------|-----------------------|-------|-------|------|
| UMTS (ALPHA) | 1 | 7770 | 55" | 11" | 5" |
| LTE 3C (ALPHA) | 2 | HPA-65R-BUU-H8 | 92" | 14" | 7.4" |
| LTE (ALPHA) | 3 | SBNH-1D6565C | 96.4" | 11.9" | 7.1" |
| GSM (ALPHA) | 4 | 7770 | 55" | 11" | 5" |
| LTE 3C (BETA) | 1 | SBNHH-1D65A | 55" | 11.9" | 7.1" |
| LTE (BETA) | 2 | AM-X-CD-14-65-00T-RET | 48" | 11.8" | 5.9" |
| UMTS (BETA) | 3 | 7770 | 55" | 11" | 5" |
| GSM (BETA) | 4 | 7770 | 55" | 11" | 5" |
| LTE 3C (GAMMA) | 1 | HPA-65R-BUU-H6 | 72" | 14.8" | 9" |
| LTE (GAMMA) | 2 | AM-X-CD-14-65-00T-RET | 48" | 11.8" | 5.9" |
| UMTS (GAMMA) | 3 | 7770 | 55" | 11" | 5" |
| GSM (GAMMA) | 4 | 7770 | 55" | 11" | 5" |

ANTENNA DETAIL

SCALE: N.T.S

7
A-4



NOTE:
PAINT ALL VISIBLE PROPOSED EQUIPMENT TO MATCH EXISTING SURROUNDINGS

NOTE:
REFER TO THE FINAL RF DATA SHEET FOR FINAL ANTENNA SETTINGS.

NOTE:
REFER TO STRUCTURAL ANALYSIS BY: HUDSON DESIGN GROUP, LLC, DATED: JANUARY 15, 2015, FOR THE CAPACITY OF THE EXISTING STRUCTURES TO SUPPORT THE PROPOSED EQUIPMENT.