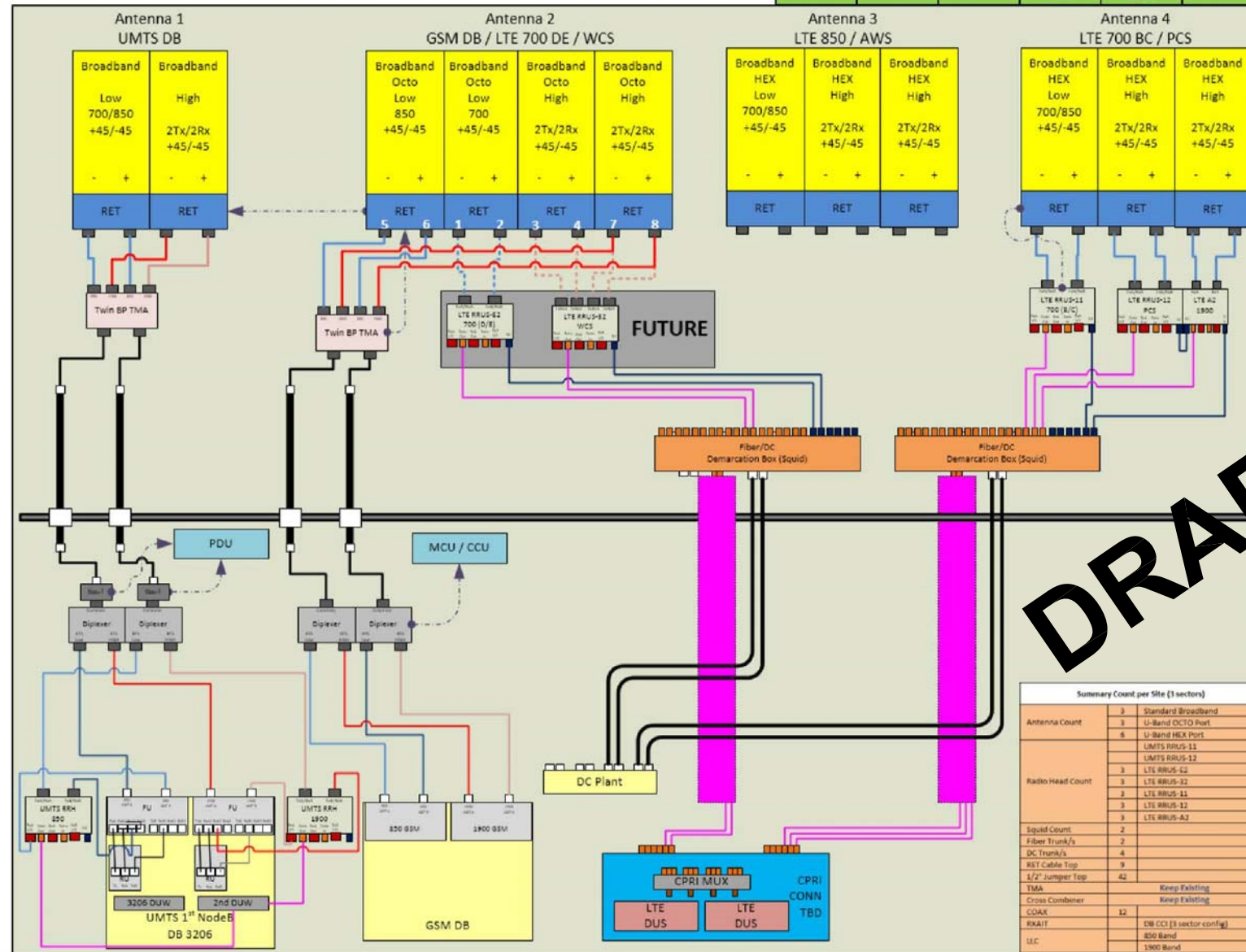


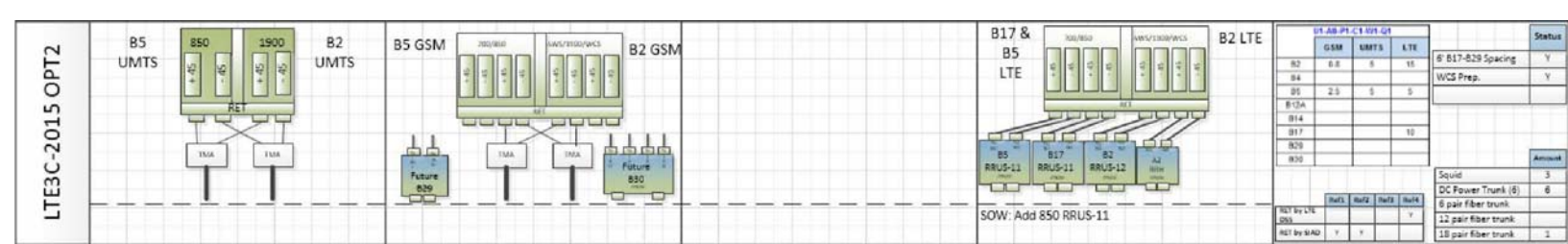
Area 2 -2C

Spectrum Availability					
850	1900	AWS	700		WCS
			BC	DE	



DRAFT

Summary Count per Site (1 sectors)	
Antenna Count	3 Standard Broadband
	3 U-Band OCTO Port
	6 U-Band HEX Port
Radio Head Count	3 UMTS RRUS-11
	3 UMTS RRUS-12
	3 LTE RRUS-02
	3 LTE RRUS-11
	3 LTE RRUS-12
	3 LTE RRUS-A2
Squid Count	2
Fiber Trunk/s	2
DC Trunk/s	4
RET Cable Trp	9
1/2" Jumper Trp	42
TMA	Keep Existing
Cross Combiner	Keep Existing
COAX	12
RRUIT	DB CCJ (3 sector config)
LEC	850 Band
	1900 Band



- NOTES:**
- CONTRACTOR TO CONFIRM ALL PARTS.
 - INSTALL ALL EQUIPMENT TO MANUFACTURER'S RECOMMENDATIONS.

NOTE:
REFER TO THE FINAL RF DATA SHEET FOR FINAL ANTENNA SETTINGS.

RF PLUMBING DIAGRAM 1
SCALE: N.T.S. RF-1

Hudson Design Group, Inc.
1600 OSGOOD STREET
BUILDING 20 NORTH, SUITE 3090
N. ANDOVER, MA 01845
TEL: (978) 557-5553
FAX: (978) 336-5586

EMPIRE telecom
16 ESQUIRE ROAD
BILLERICA, MA 01862
TEL: (978) 608-8400

SITE NUMBER: ME5045
SITE NAME: PORTLAND USM
246 DEERING AVENUE
PORTLAND, ME 04102
CUMBERLAND COUNTY

at&t
550 COCHITUATE ROAD
FRAMINGHAM, MA 01701

0	12/12/14	ISSUED FOR REVIEW	MR	HC	DC
NO.	DATE	REVISIONS	BY	CHK	APP'D
SCALE: AS SHOWN		DESIGNED BY: HC	DRAWN BY: MR		

AT&T		
RF PLUMBING DIAGRAM (LTE-3C 2015)		
JOB NUMBER	DRAWING NUMBER	REV
5045.00	RF-1	0