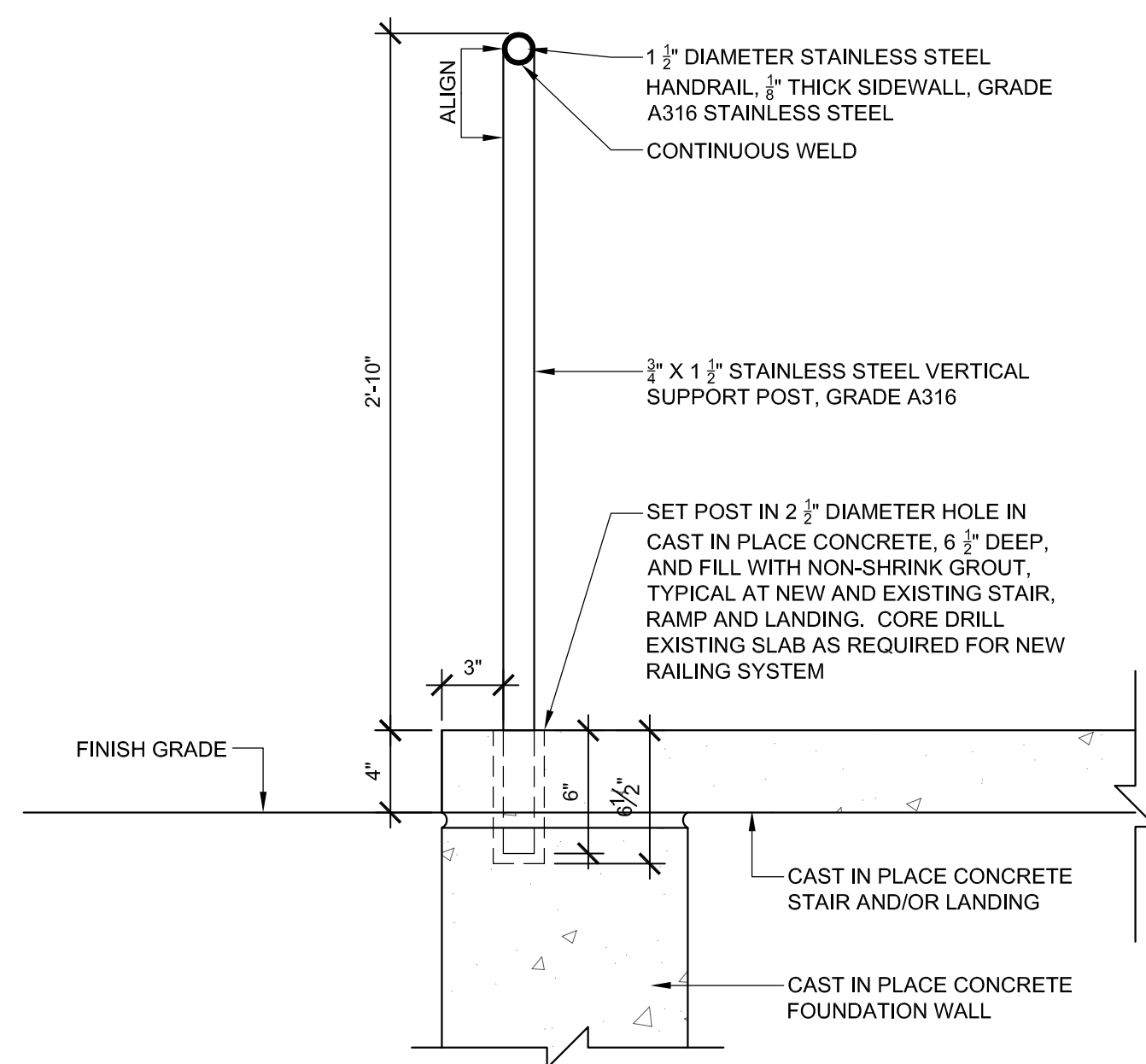
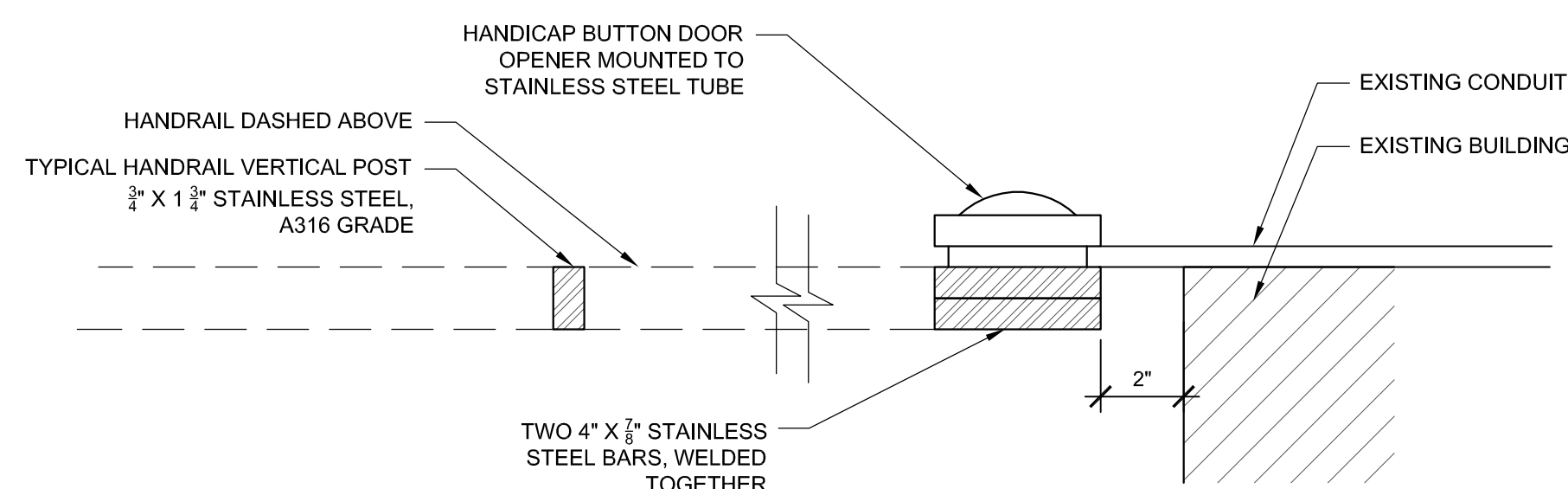


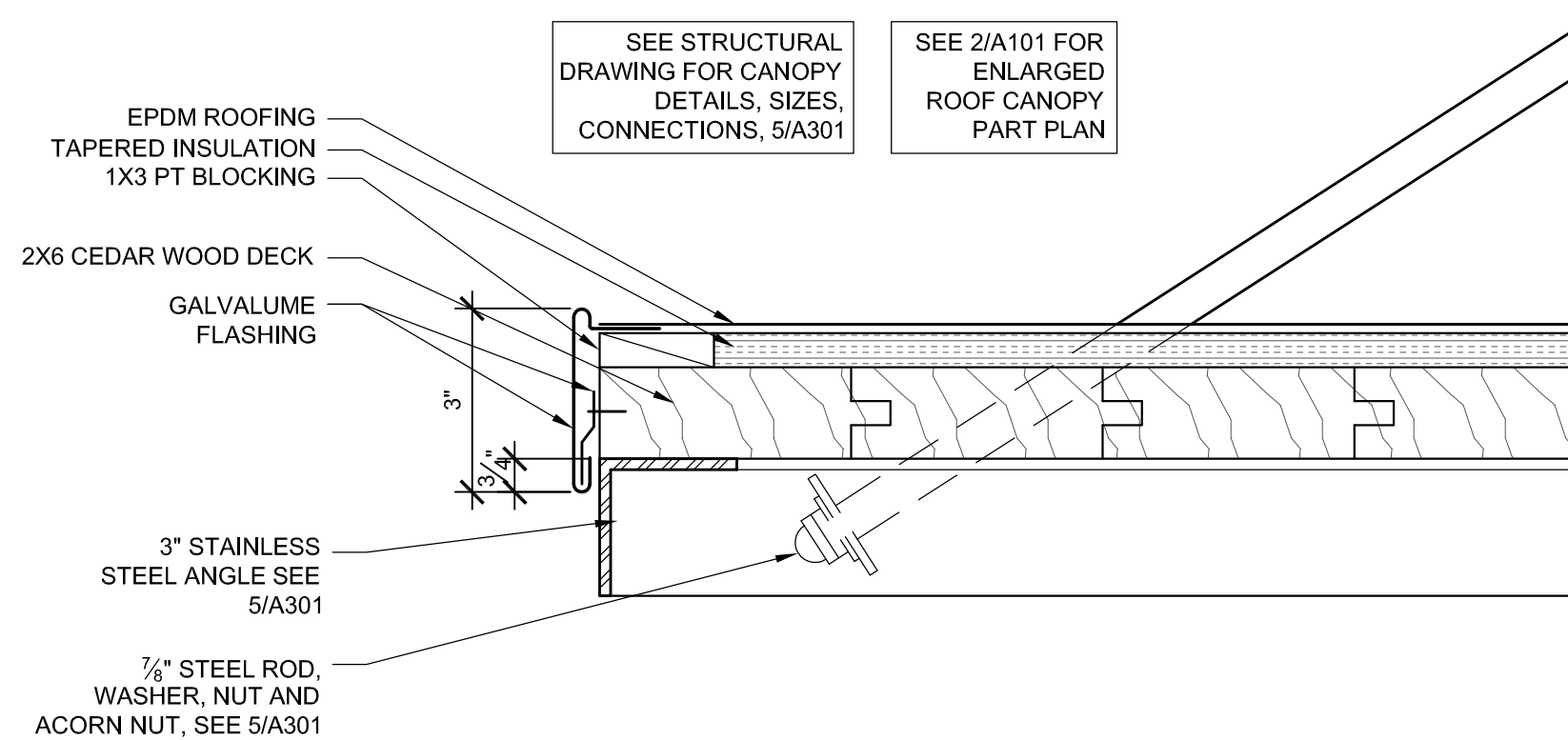
1 SECTION
SCALE: 3/4" = 1'-0"



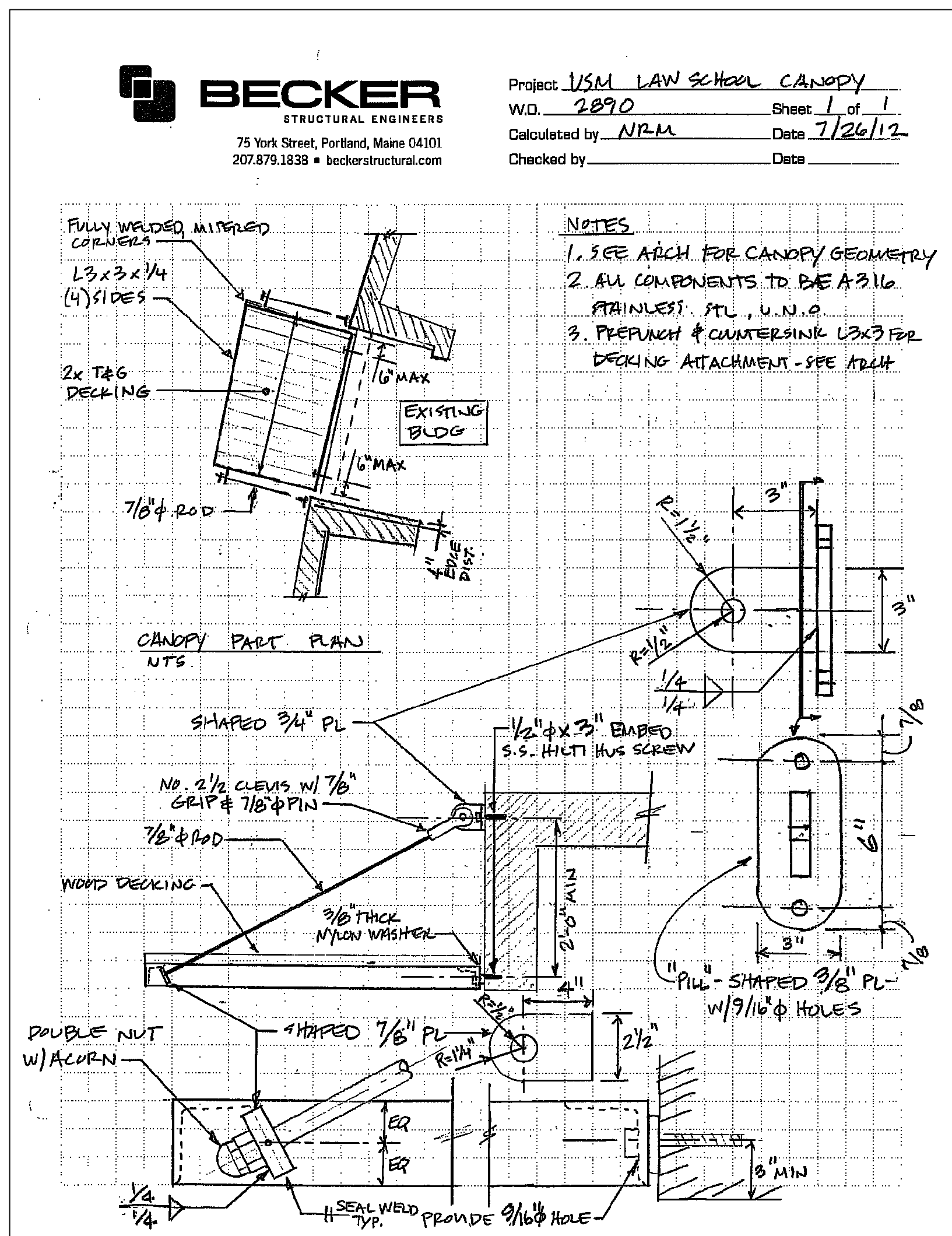
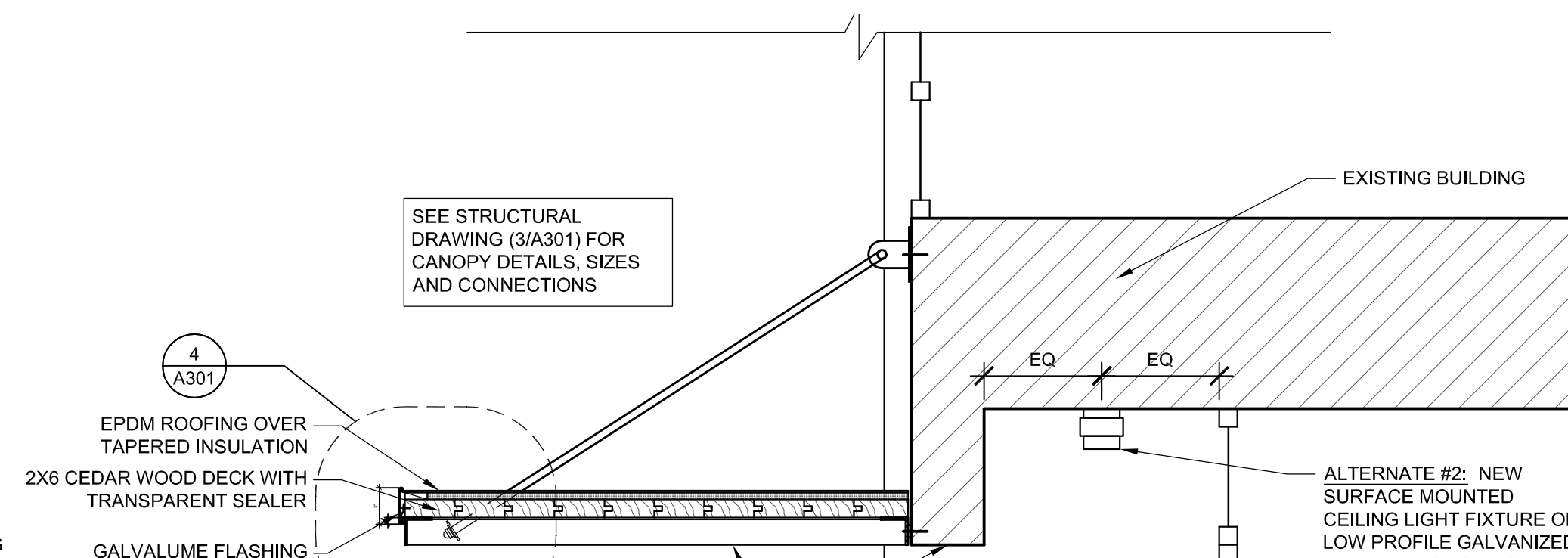
2 CROSS SECTION THRU HANDRAIL
SCALE: 1 1/2" = 1'-0"



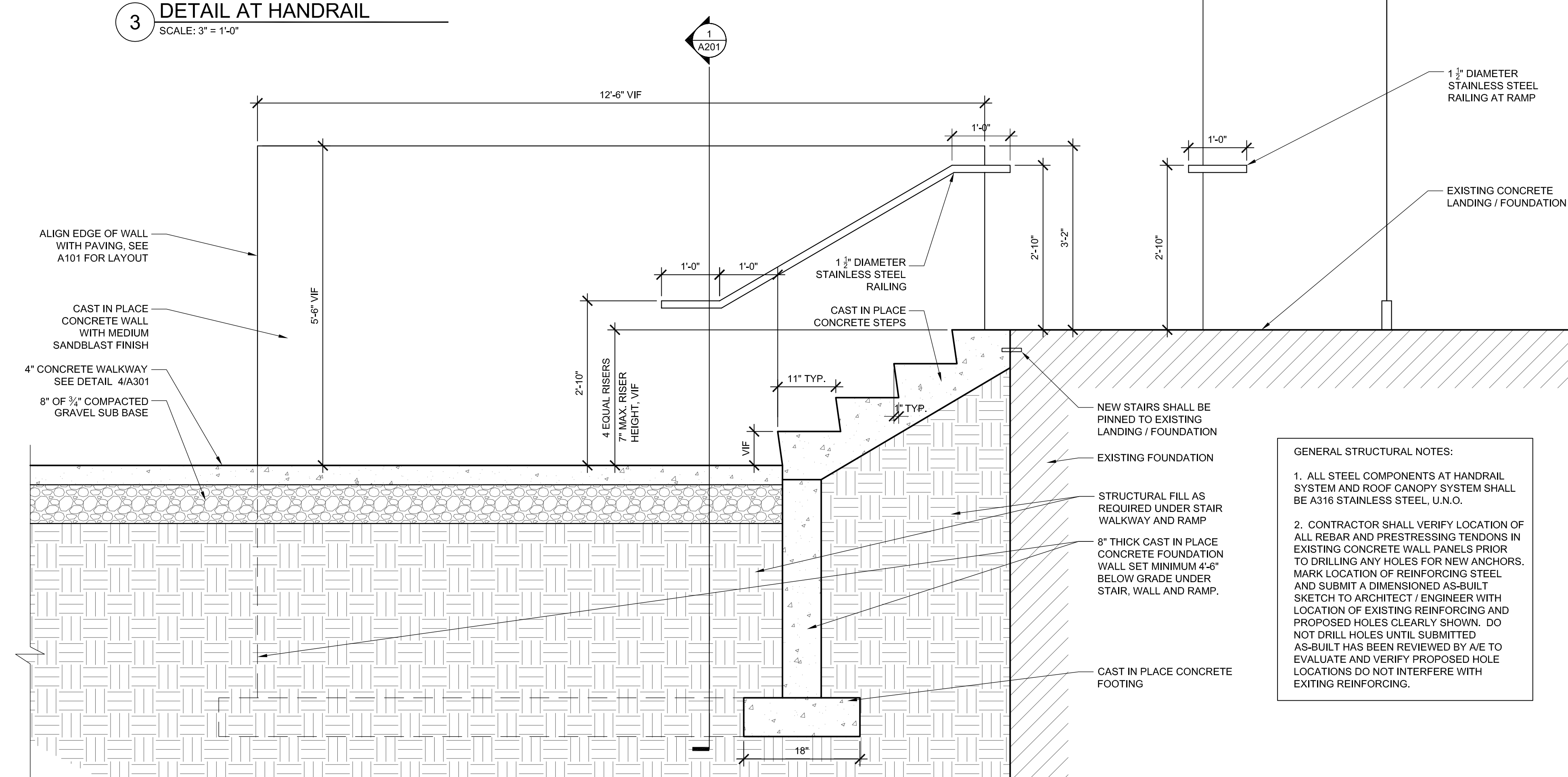
3 DETAIL AT HANDRAIL
SCALE: 3" = 1'-0"



4 CANOPY EDGE DETAIL
SCALE: 3" = 1'-0"



5 STRUCTURAL DETAILS
SCALE: NTS



6 SECTION
SCALE: 3/4" = 1'-0"

GENERAL STRUCTURAL NOTES:

- ALL STEEL COMPONENTS AT HANDRAIL SYSTEM AND ROOF CANOPY SYSTEM SHALL BE A316 STAINLESS STEEL, U.N.O.
- CONTRACTOR SHALL VERIFY LOCATION OF ALL REBAR AND PRESTRESSING TENDONS IN EXISTING CONCRETE WALL PANELS PRIOR TO DRILLING ANY HOLES FOR NEW ANCHORS. MARK LOCATION OF REINFORCING STEEL AND SUBMIT A DIMENSIONED AS-BUILT SKETCH TO ARCHITECT / ENGINEER WITH LOCATION OF EXISTING REINFORCING AND PROPOSED HOLES CLEARLY SHOWN. DO NOT DRILL HOLES UNTIL SUBMITTED AS-BUILT HAS BEEN REVIEWED BY A/E TO EVALUATE AND VERIFY PROPOSED HOLE LOCATIONS DO NOT INTERFERE WITH EXISTING REINFORCING.

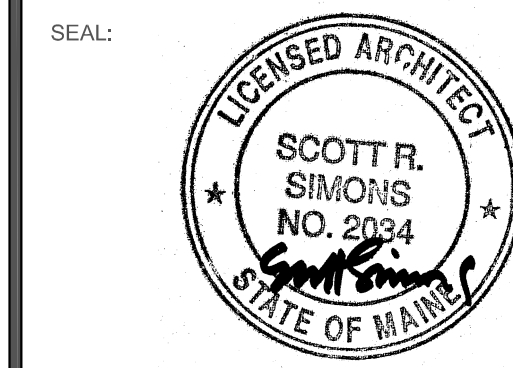
BECKER
STRUCTURAL ENGINEERS
75 York Street, Portland, Maine 04101
207.879.1839 • beckerstructural.com

Project: USM LAW SCHOOL CANOPY
W.D. 2890 Sheet 1 of 1
Calculated by NRM Date 7/26/12
Checked by _____ Date _____

NOTES

- SEE ARCH FOR CANOPY GEOMETRY
- ALL COMPONENTS TO BE A316 STAINLESS STEEL, U.N.O.
- PREPUNCH & COUNTERSINK L3x3 FOR DECKING ATTACHMENT - SEE ARCH

PROJECT NAME:
UMAINE LAW
SIDE ENTRY RENOVATIONS
246 DEERING AVE
PORTLAND, ME 04102



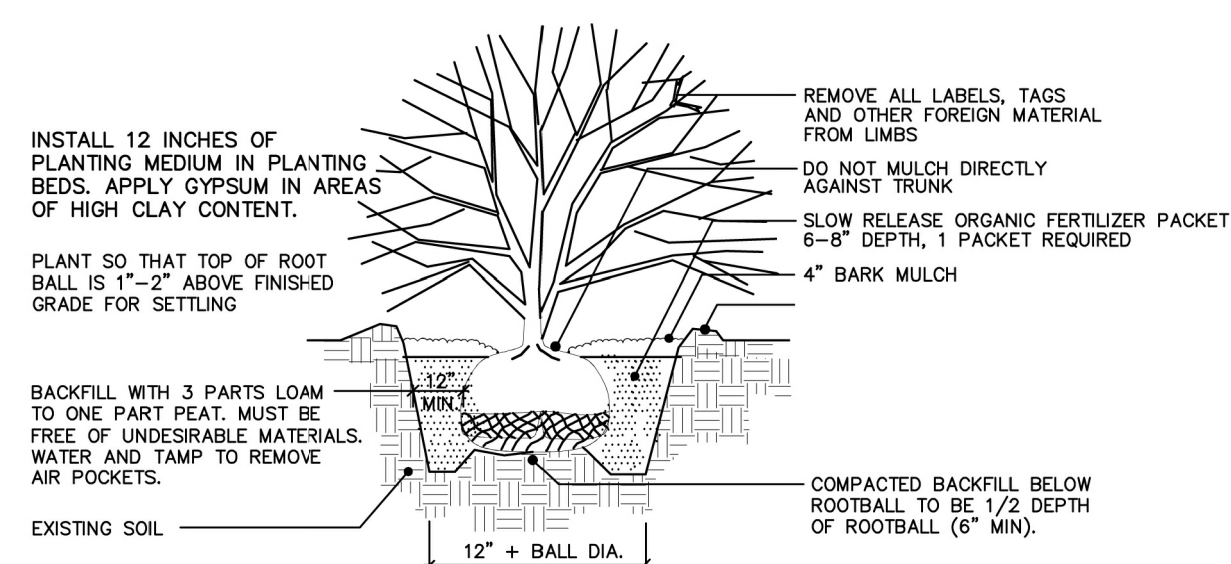
THIS DRAWING IS THE PROPERTY OF SCOTT SIMONS ARCHITECTS (SSA) AND IS NOT TO BE COPIED OR REPRODUCED IN PART OR WHOLE
2012 © SCOTT SIMONS ARCHITECTS, LLC

REVISION:

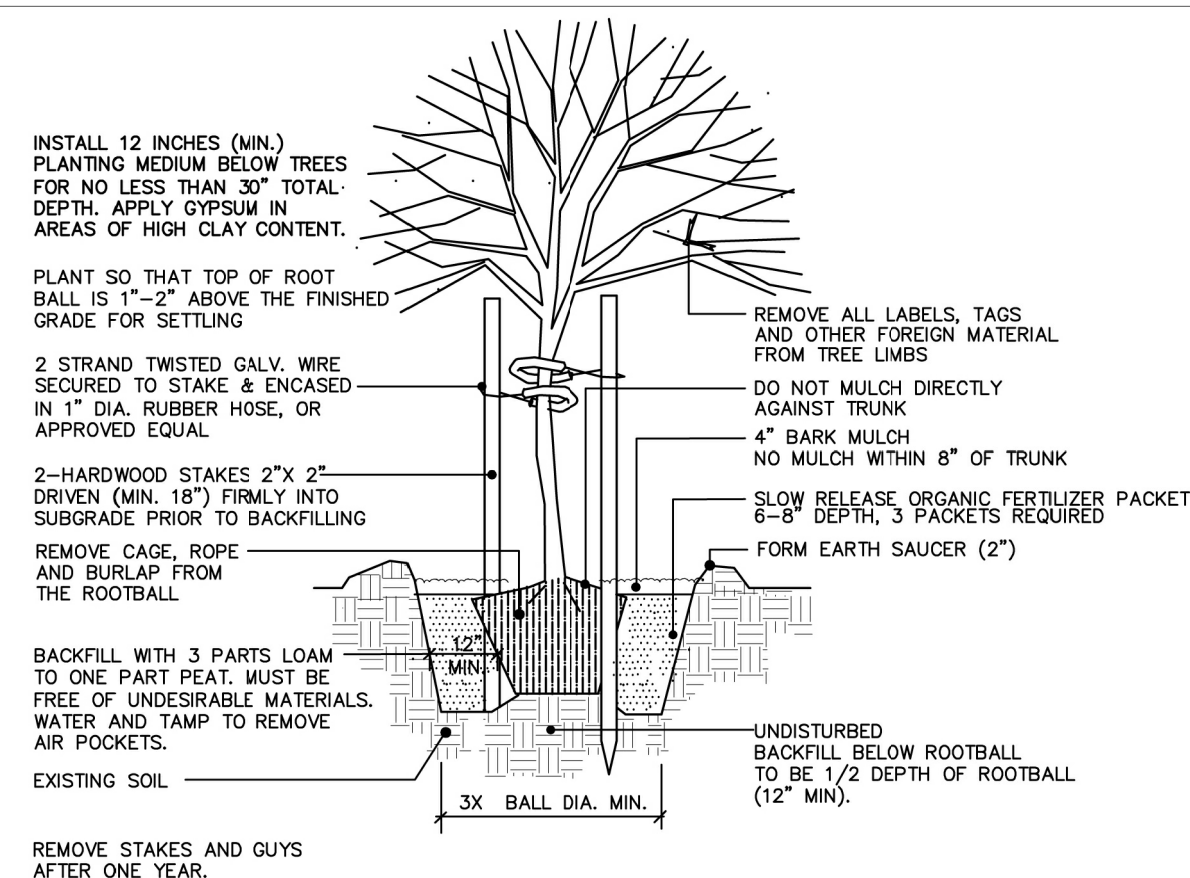
DATE OF ISSUE: AUGUST 09, 2012
PROJECT NUMBER: 2012-0130 LAW SCHOOL ENTRY
STATUS: ISSUED FOR CONSTRUCTION

SECTIONS AND DETAILS

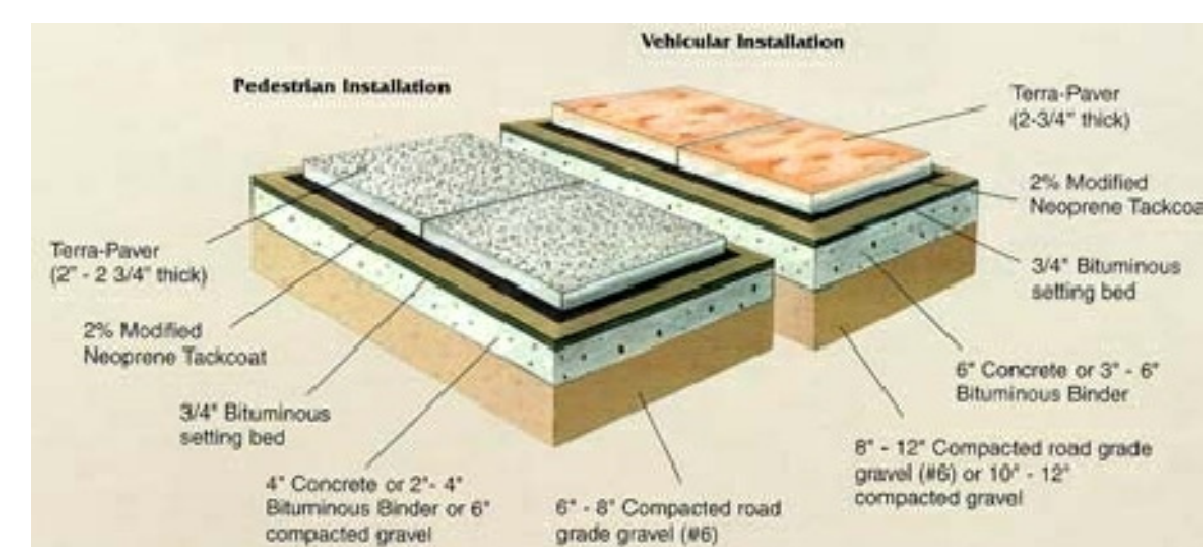
A201



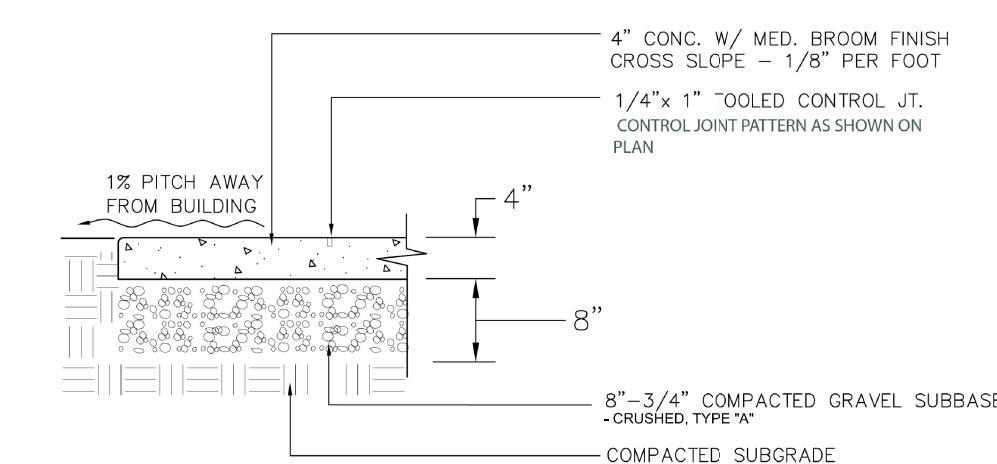
1 SHRUB PLANTING
SCALE: NTS



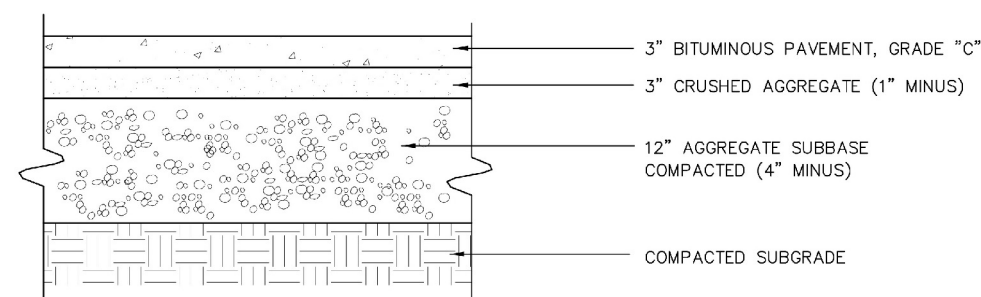
2 DECIDUOUS TREE PLANTING AND STAKING
SCALE: NTS



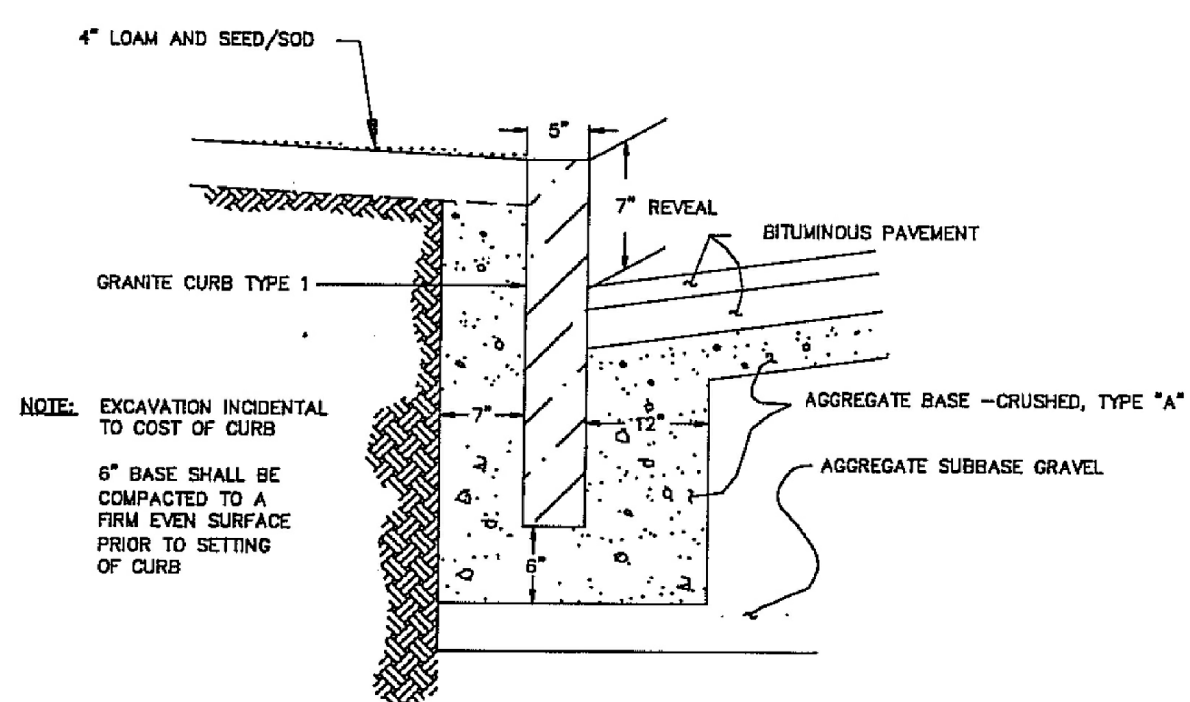
3 ALTERNATE 5: PAVERS OVER BITUMINOUS BED
SCALE: NTS



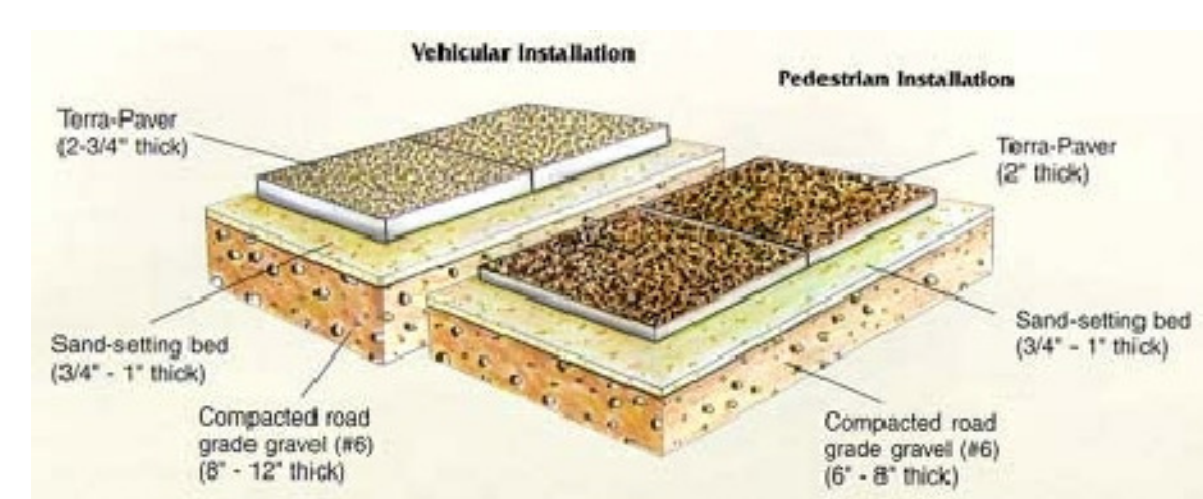
4 CONCRETE WALKWAY
SCALE: NTS



5 BITUMINOUS SIDEWALK
SCALE: NTS



6 GRANITE CURB SECTION DETAIL
SCALE: NTS

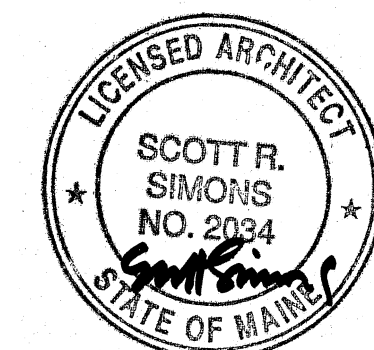


3 ALTERNATE #6: PAVERS OVER SAND BED
SCALE: NTS

PROJECT NAME:

UMAINE LAW
SIDE ENTRY RENOVATIONS
246 DEERING AVE
PORTLAND, ME 04102

SEAL:



THIS DRAWING IS THE PROPERTY OF SCOTT SIMONS ARCHITECTS (SSA) AND IS NOT TO BE COPIED OR REPRODUCED IN PART OR WHOLE
2012 © SCOTT SIMONS ARCHITECTS, LLC

REVISION:

DATE OF ISSUE: AUGUST 09, 2012
PROJECT NUMBER: 2012-0130 LAW SCHOOL ENTRY
STATUS: ISSUED FOR CONSTRUCTION

DETAILS

A301