

37 DEANE STREET

OWNER  
LAWYERS  
89 Willow Street  
Portland, ME 04106  
E-MAIL: lawfirm@lwi.com  
PHONE: 917.816.6003



PORTLAND, ME 04102  
NEWBURY, MA 01890  
FRAMINGHAM, MA 01901  
TEL: 603.409.0495 (cell)

PROJECT TEAM

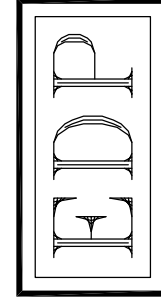
CIVIL ENGINEERING  
ROSS, A. COVILIZ, P.E.  
Engineering Assistance & Design, Inc.  
10 Adams Road  
Yarmouth, Maine 04096  
Tel: 603-785-7853  
Mobile: 207-835-7853  
ztlidze@maine.rr.com

STRUCTURAL ENGINEER  
Larry Wichroski, P. E.  
P.O. Box 575  
Freepoint, ME 04032  
EDPLarry@edpl.com

GEOTECHNICAL ENGINEER  
Steve Marcotte, CC, P.E., LSE  
Steve & Maher Engineers, Inc.  
Cumberland Center, ME 04021  
C: 207-539-2600  
sbm@maine.com

LANDSCAPE ARCHITECT  
Tony Cowles  
Tony Cowles Landscape Architecture  
COWLES STUDIO-4332  
T: (207) 415-4332  
tonycowles@studios.com

GENERAL CONTRACTOR  
Upwright Frameworks  
School St., Wilton, ME 04294  
www.upwrightframeworks.com  
jwp@upwrightframeworks.com



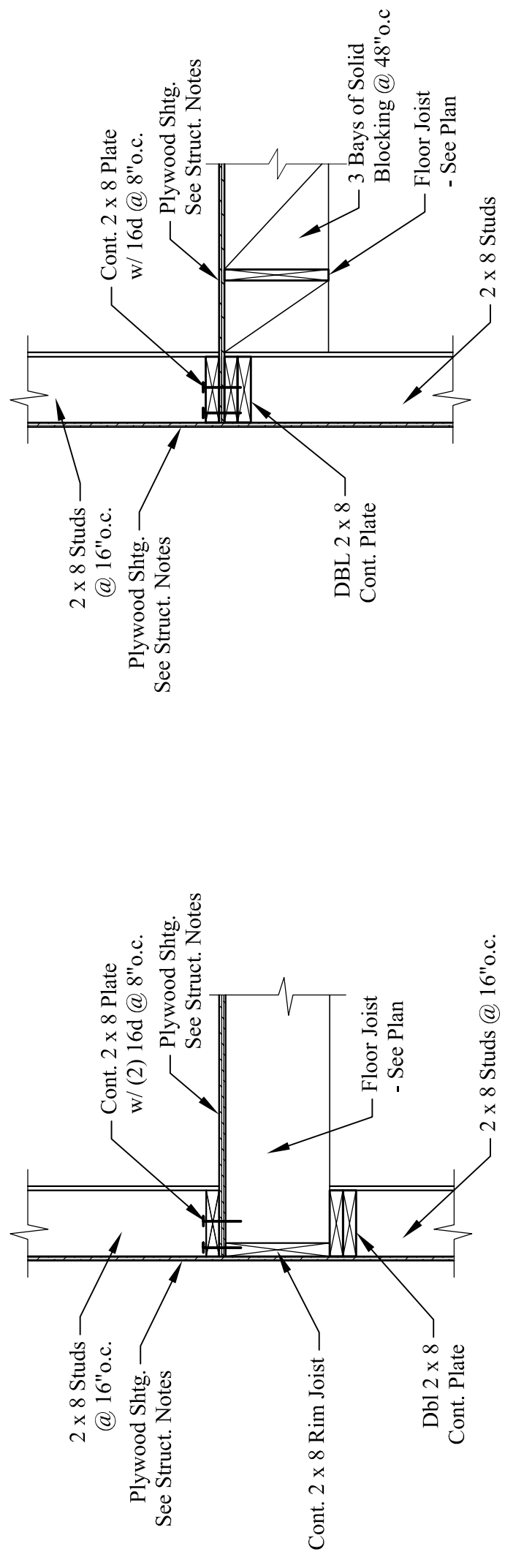
ENGINEERING DESIGN  
PROFESSIONALS  
Consulting Engineers  
P.O. BOX 575, FREEPPOINT, MAINE  
(207) 865-5905

No.	Description	Date

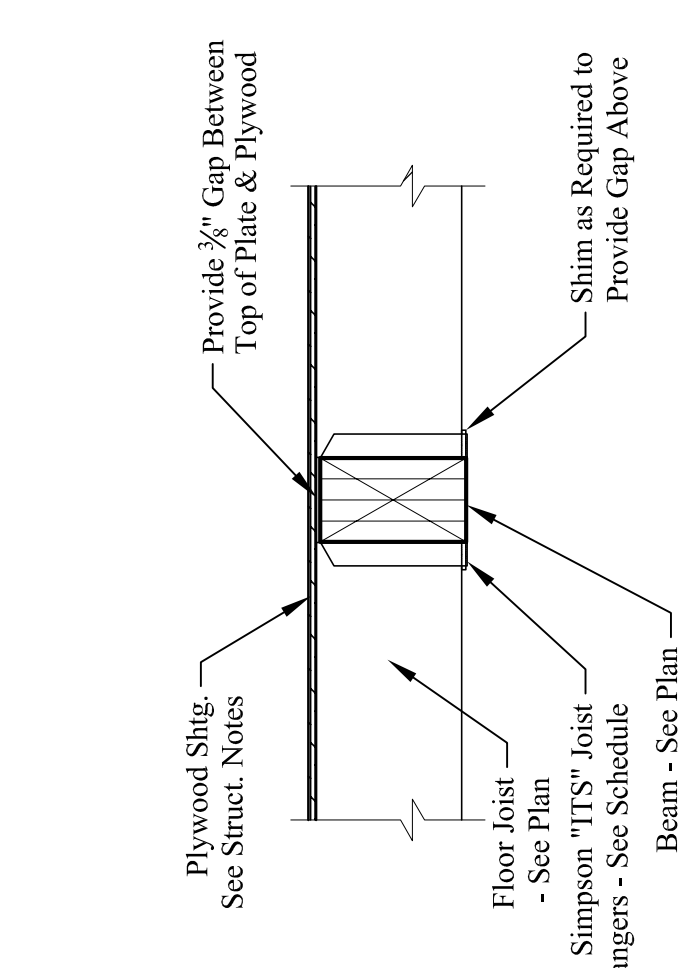
FRAMING DETAILS

Project number	02216
Date	06/01/16
Drawn by	LAW
Checked by	Larry Wichroski, P.E.

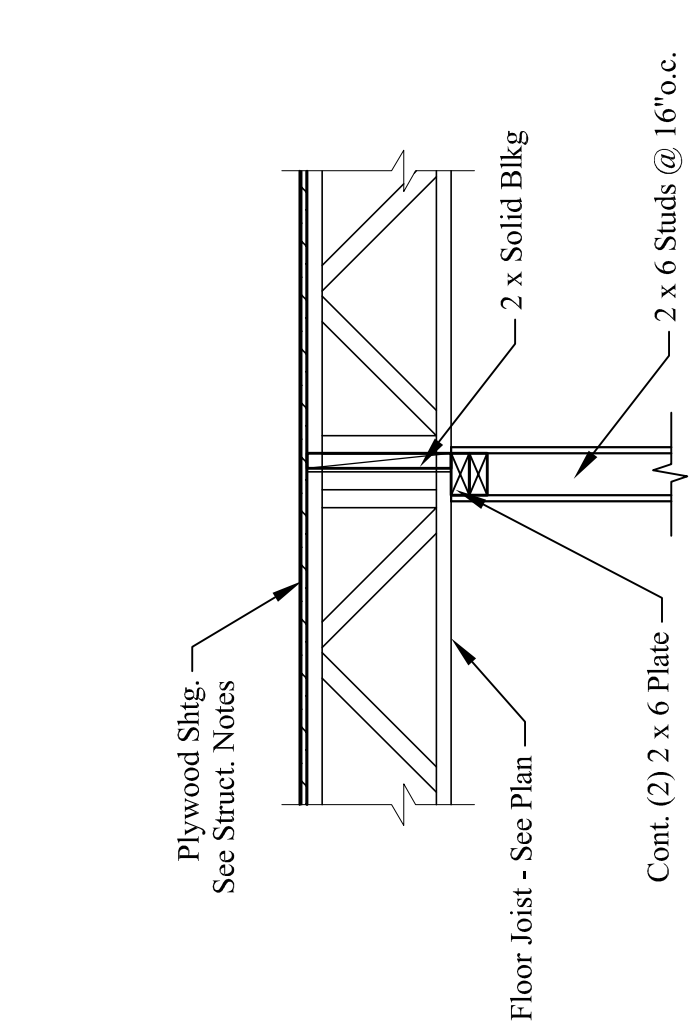
Scale  
3/4" = 1'-0"



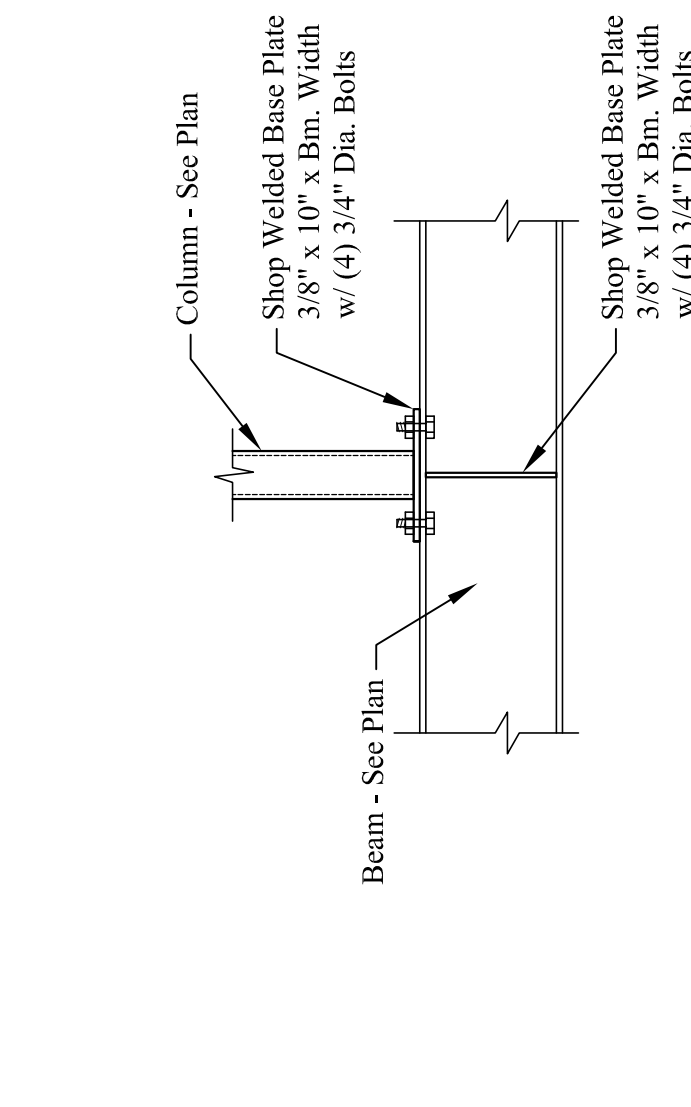
1 FLOOR JOIST @ BRG. WALL  
Scale: 3/4" = 1'-0"



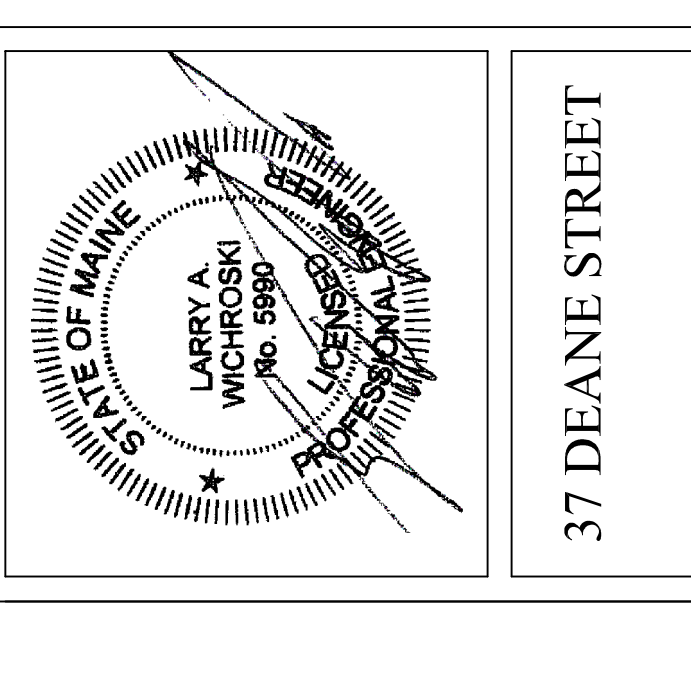
2 FLOOR TRUSS PARALLEL TO WALL  
Scale: 3/4" = 1'-0"



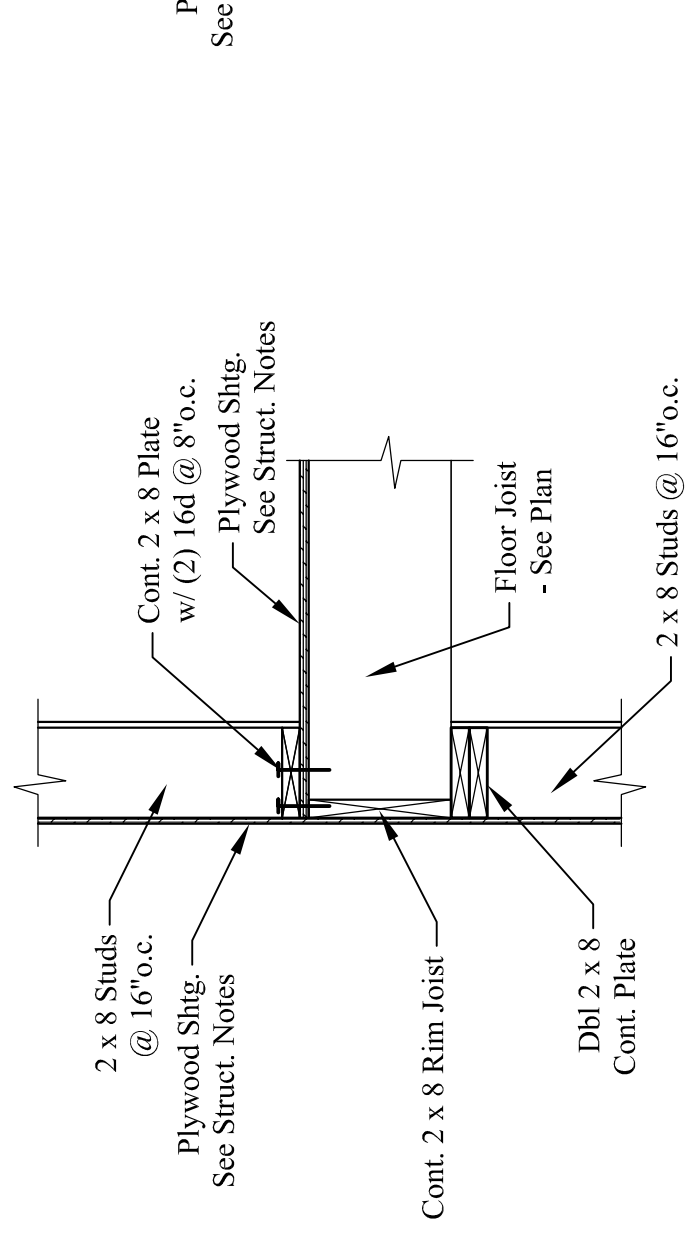
3 FLOOR JOIST TO WOOD BM. CONN.  
Scale: 3/4" = 1'-0"



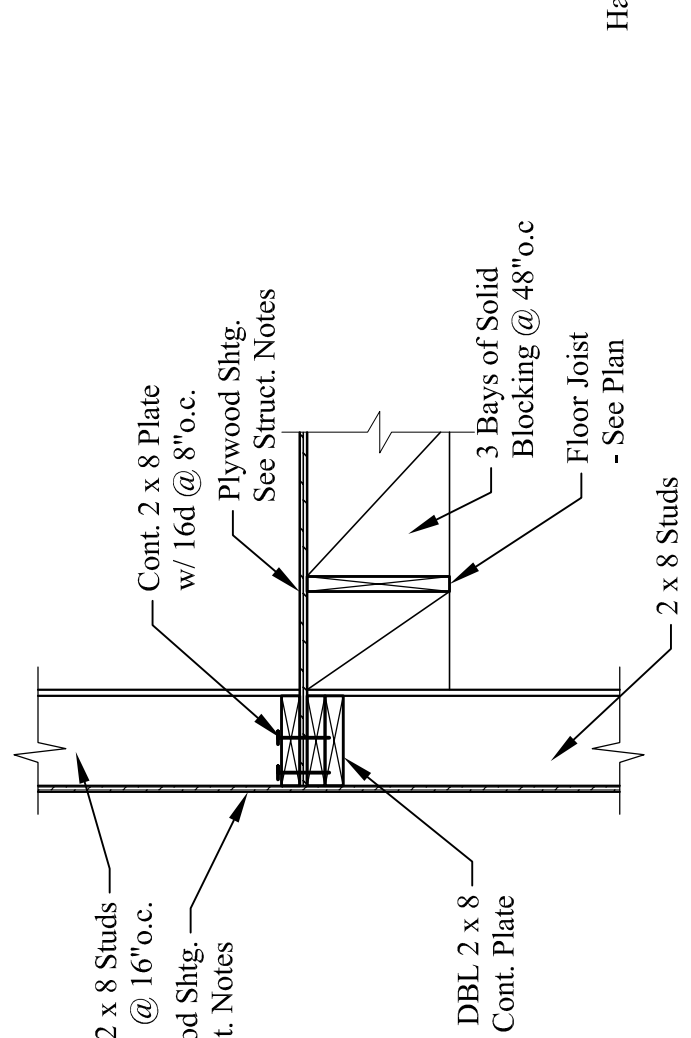
4 FLOOR JOIST TO BEARING WALL  
Scale: 3/4" = 1'-0"



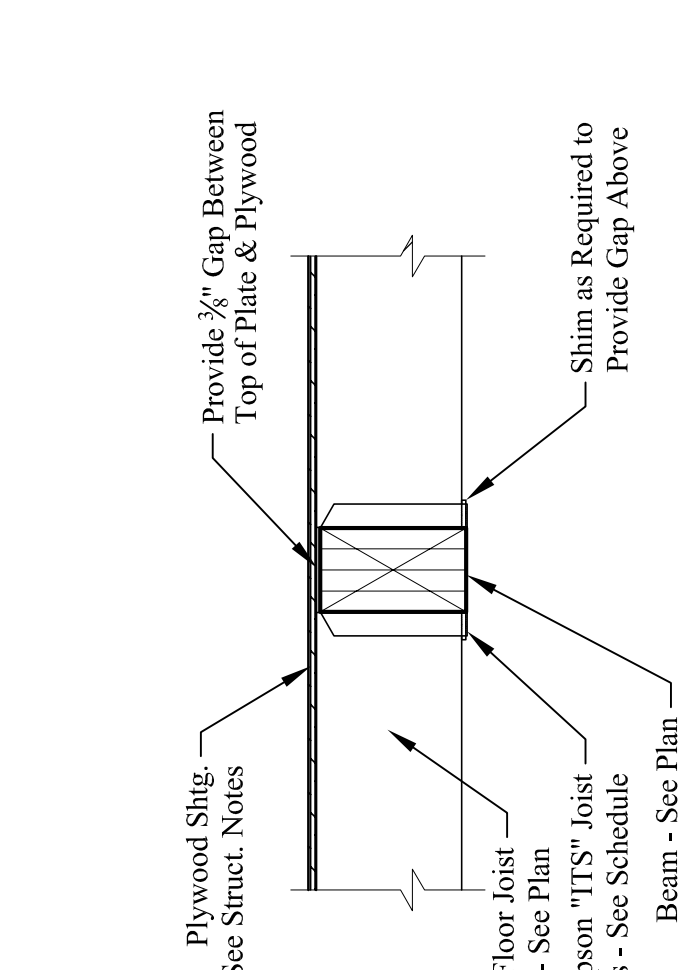
5 TYP. STL. COL. TO BEAM CONN.  
Scale: 3/4" = 1'-0"



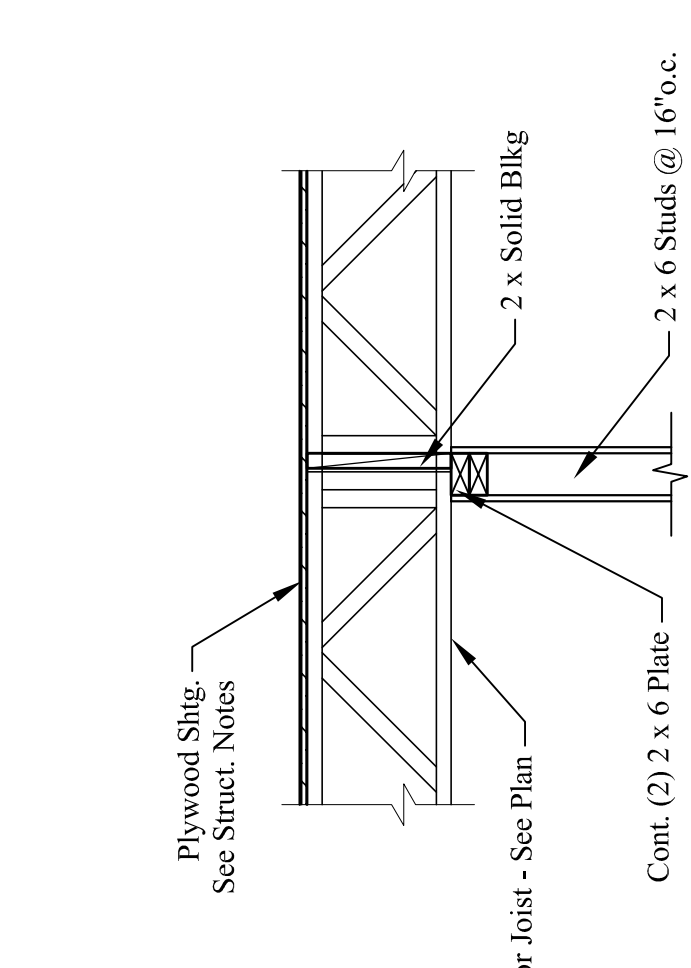
6 WOOD BM. TO WOOD POST CONN.  
Scale: 3/4" = 1'-0"



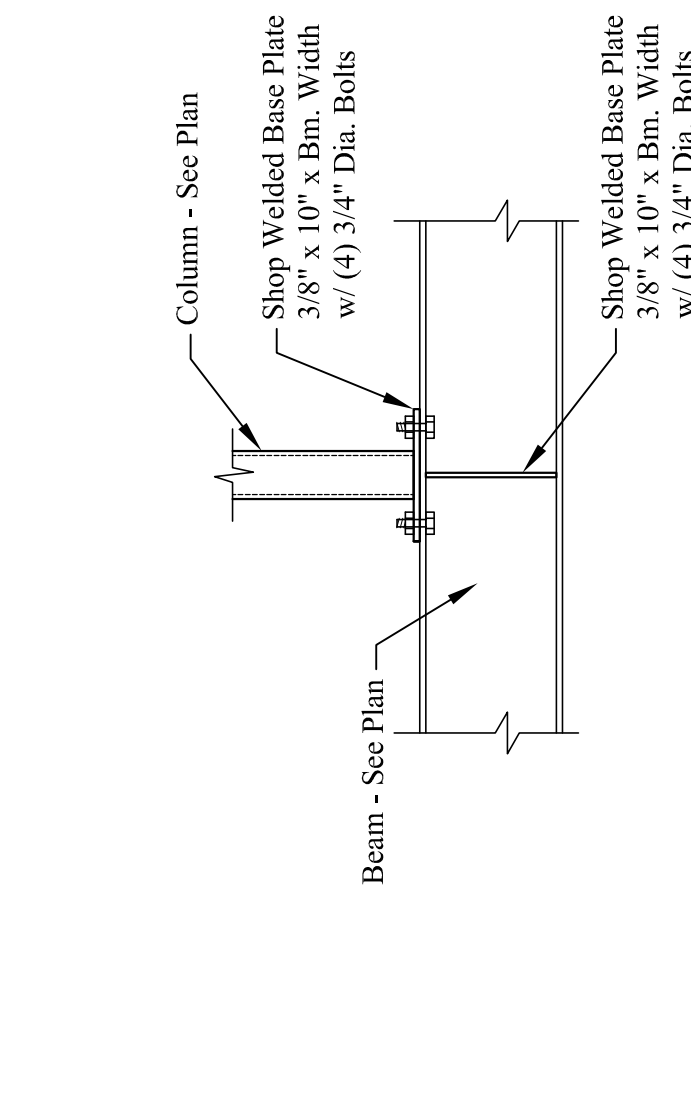
7 WOOD BM. TO STEEL BEAM  
Scale: 3/4" = 1'-0"



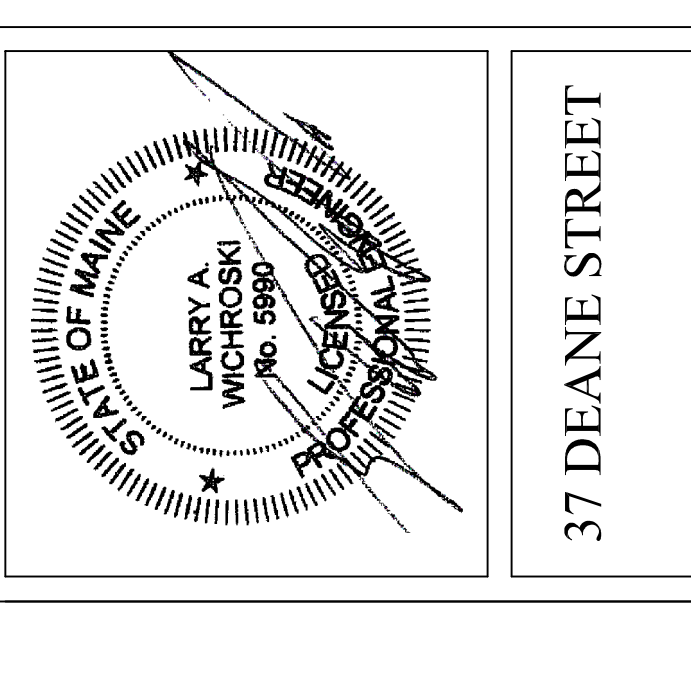
8 FLOOR JOIST TO STEEL BEAM  
Scale: 3/4" = 1'-0"



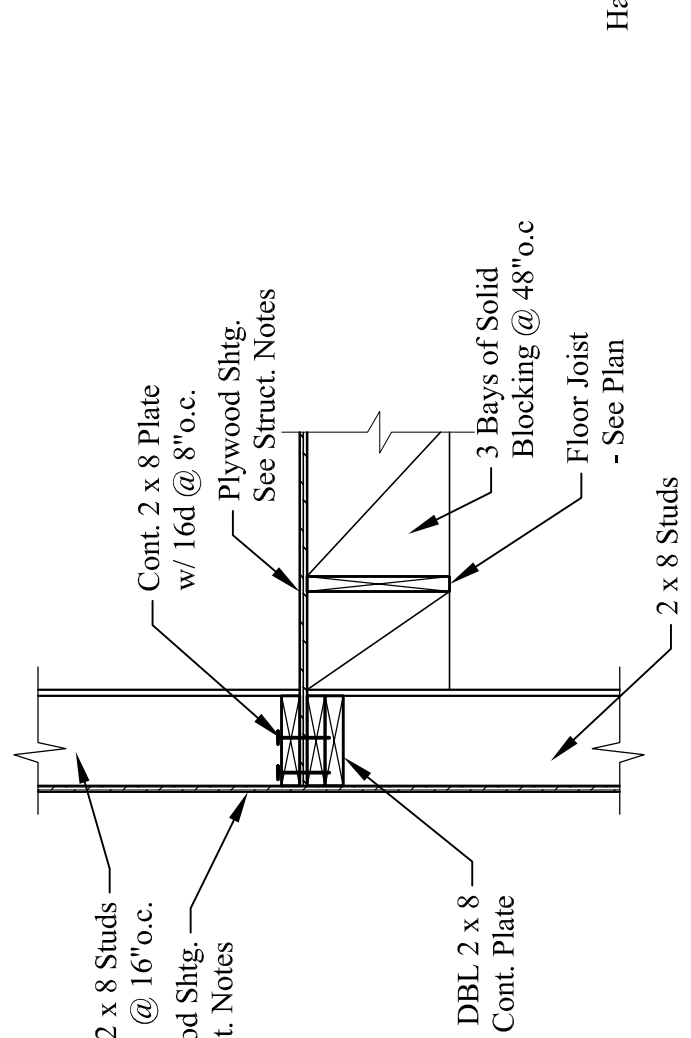
9 STEEL BEAM AT COLUMN CONN.  
Scale: 3/4" = 1'-0"



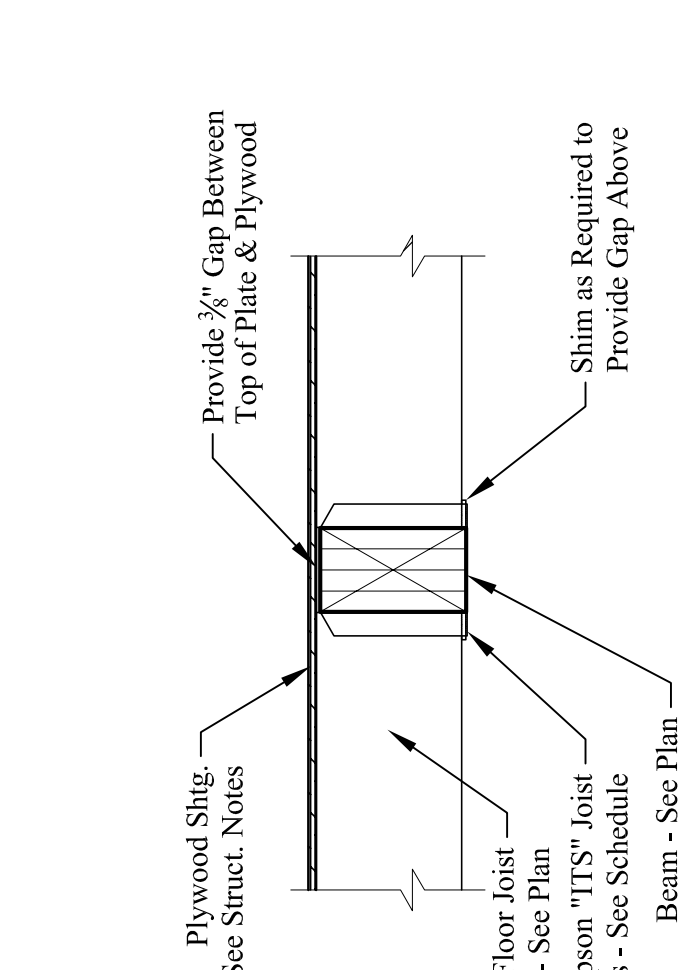
10 STEEL BM. TO STEEL COL. CONN.  
Scale: 3/4" = 1'-0"



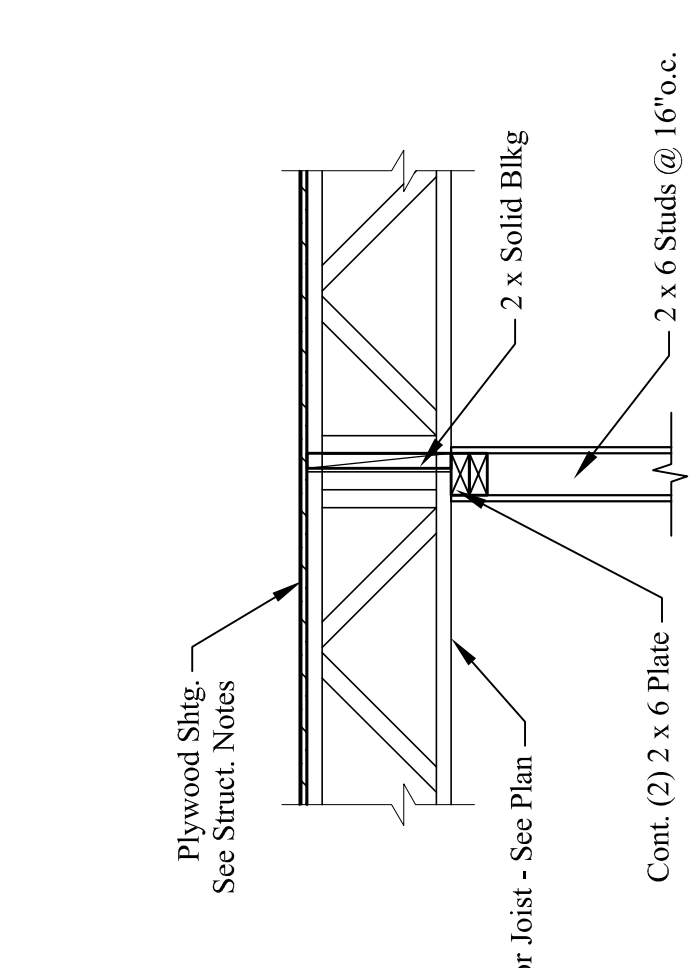
11 DECK TIE TO WOOD POST CONN.  
Scale: 3/4" = 1'-0"



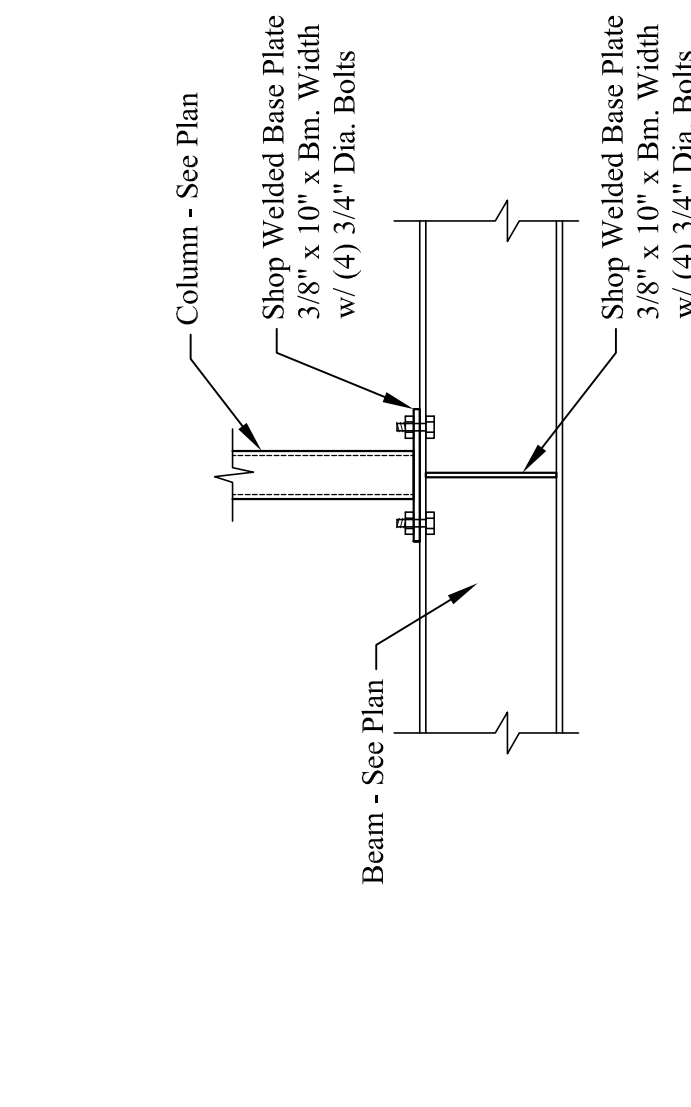
12 DECK BEAM TO WALL CONN.  
Scale: 3/4" = 1'-0"



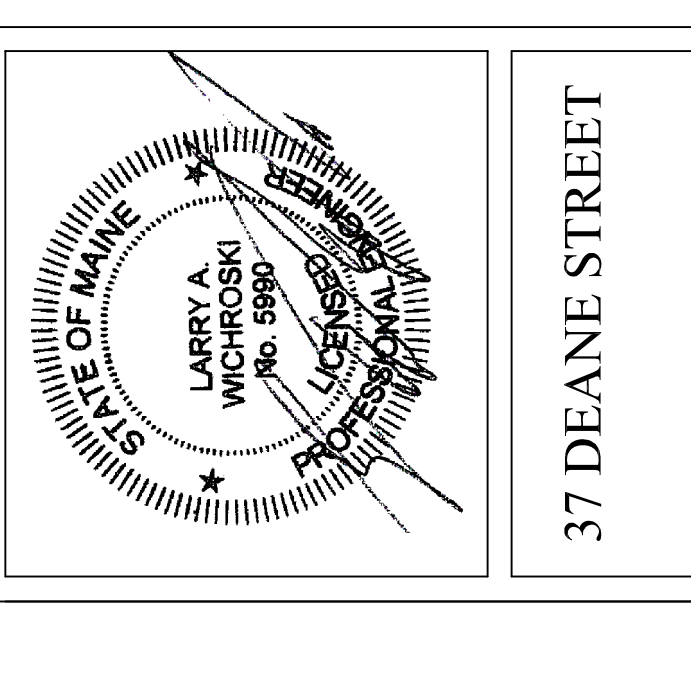
13 WOOD BM. TO WOOD POST CONN.  
Scale: 3/4" = 1'-0"



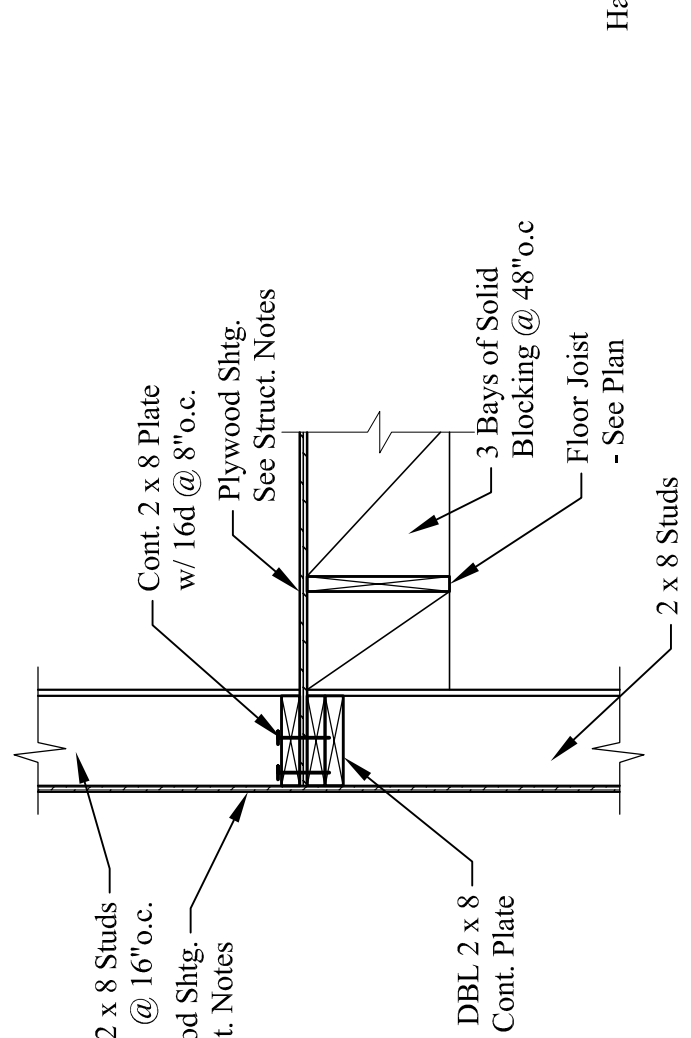
14 RAFTERS TO STUD WALL CONN.  
Scale: 3/4" = 1'-0"



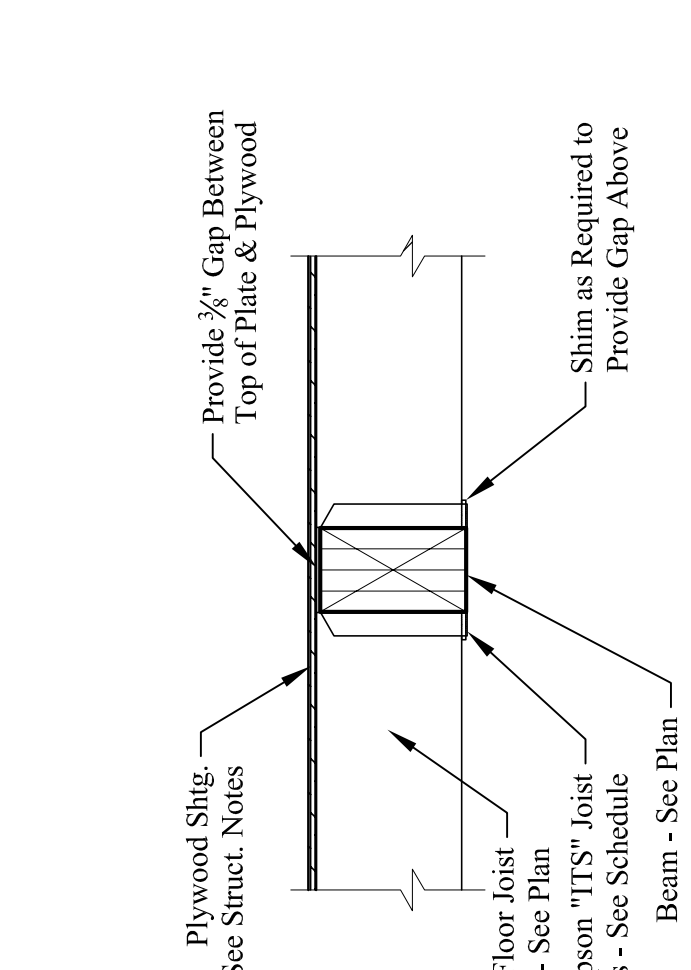
15 DECK RAFTERS @ STEEL BM.  
Scale: 3/4" = 1'-0"



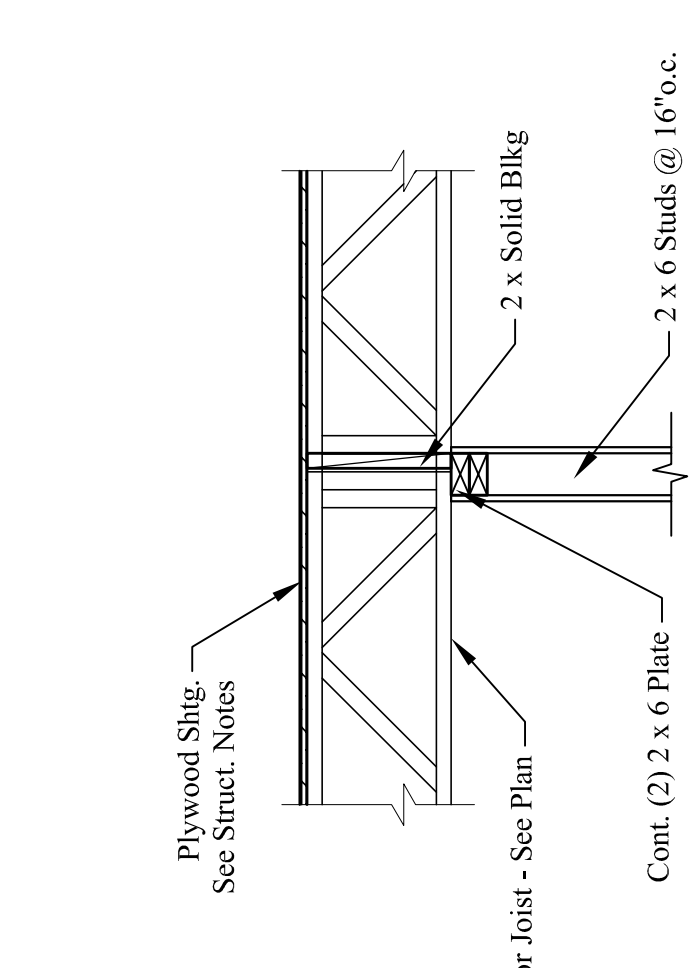
16 STEEL BEAM TO STEEL BM. CONN.  
Scale: 3/4" = 1'-0"



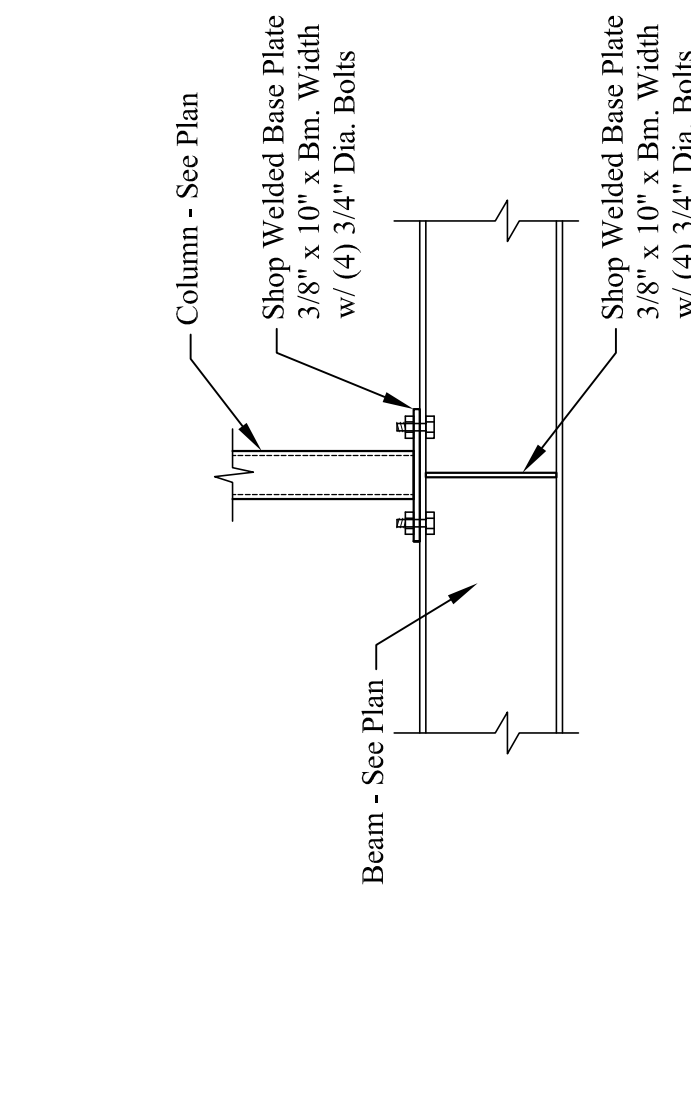
17 STL DECK BEAM TO WOOD POST  
Scale: 3/4" = 1'-0"



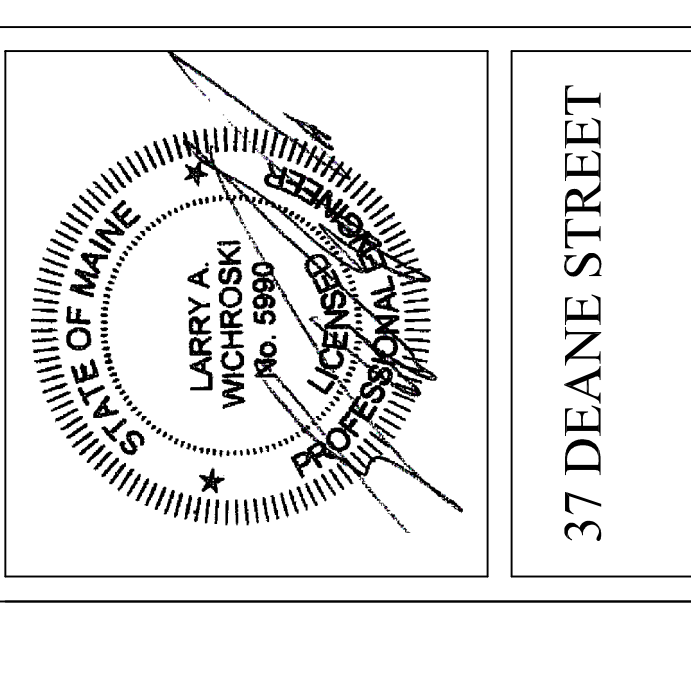
18 STEEL BEAM TO STEEL COL. CONN.  
Scale: 3/4" = 1'-0"



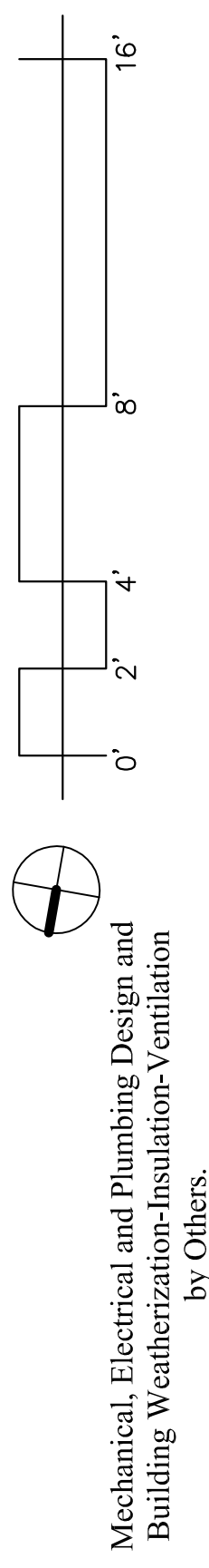
19 STEEL BEAM TO STEEL COL. CONN.  
Scale: 3/4" = 1'-0"



20 STEEL BEAM TO STEEL COL. CONN.  
Scale: 3/4" = 1'-0"



21 STEEL BEAM TO STEEL COL. CONN.  
Scale: 3/4" = 1'-0"



Mechanical, Electrical and Plumbing Design and Building Weatherization-Insulation-Ventilation by Others.