

# Deane Street Residence

## ADDITION AND ALTERATIONS

Portland, Maine

Client:  
Mr. & Mrs. Julian & Heather Thomas-Gazitik  
25 Deane Street  
Portland, Maine

Designer:  
Julian Thomas-Gazitik  
25 Deane Street  
Portland, ME 04102  
917-816-6003

Engineer:  
Andrew Jackson, PE  
11 Luther Street  
Peaks Island, ME 04108  
207-600-6106

Please Note: This drawing is for design purposes only and is not guaranteed as to structural soundness. Customers should consult an engineer or architect to confirm the design's suitability before making any final action regarding construction.

All dimensions & existing conditions shall be verified by the contractor in the field before proceeding with the work.

This drawing and design layout is an instrument of service and property of Julian D. Thomas-Gazitik and as such may not be reproduced or reproductions thereof used without the expressed written consent of the designer.

**Please Note: This drawing is for design purposes only and is not guaranteed as to structural soundness. Customers should consult an engineer or architect to confirm the design's suitability before making any final action regarding construction.**

Issue Date	Revisions
October 15, 2013	For Review
October 21, 2013	For Permit Submission

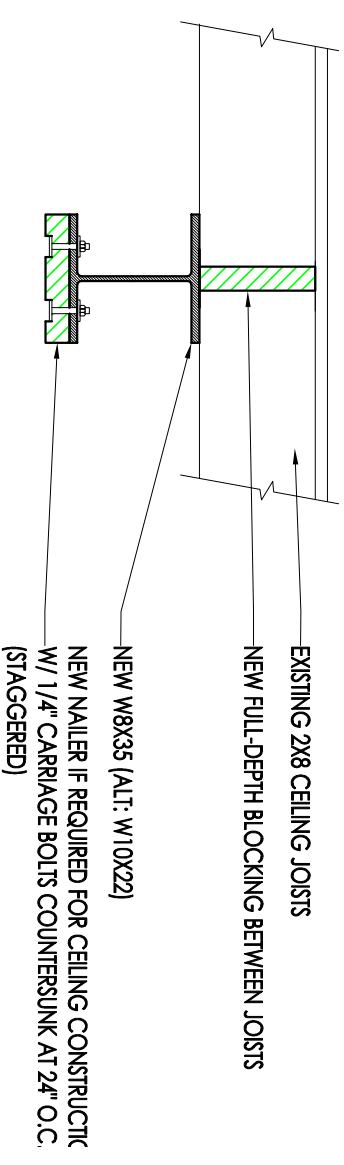
Drawing Title

PROPOSED STRUCTURAL DETAILS

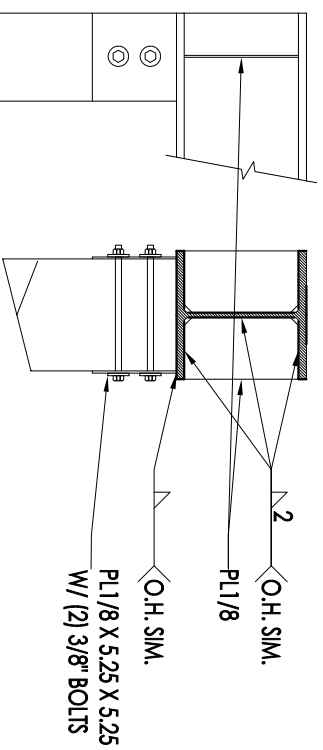
Drawn	Date
03-22-13	
Checked	Scale
AS NOTED	
Drawing No.	

S.1

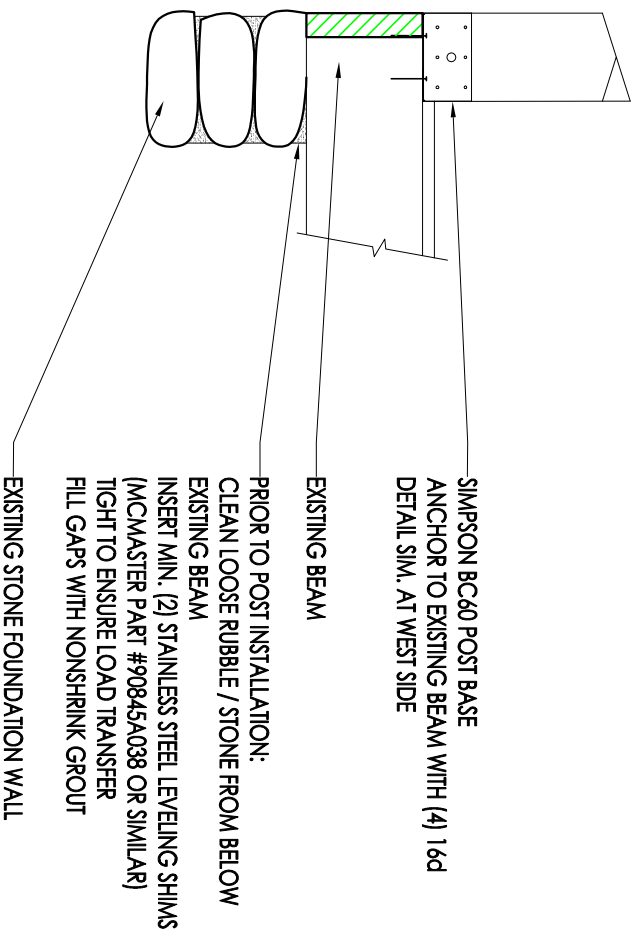
Document



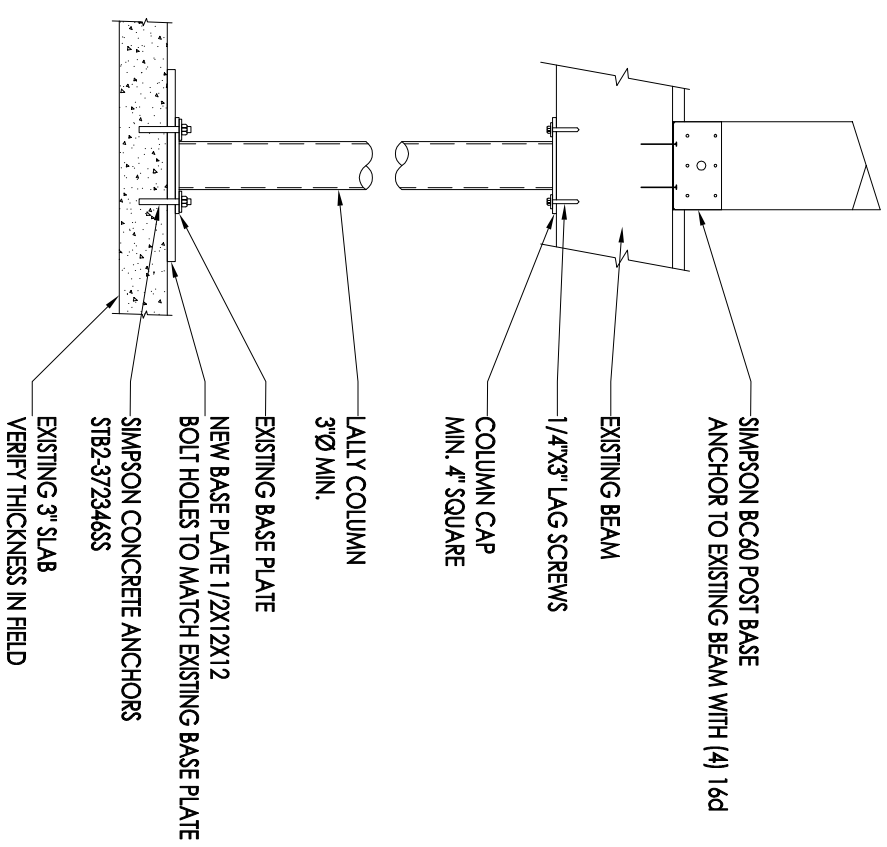
## DETAIL AT SECOND FLOOR



## DETAIL AT POST CONNECTION



## DETAIL AT FIRST FLOOR (EAST SIDE)



## DETAIL AT BASEMENT (WEST SIDE)

PROPOSED STRUCTURAL DETAILS  
1/8\"/>