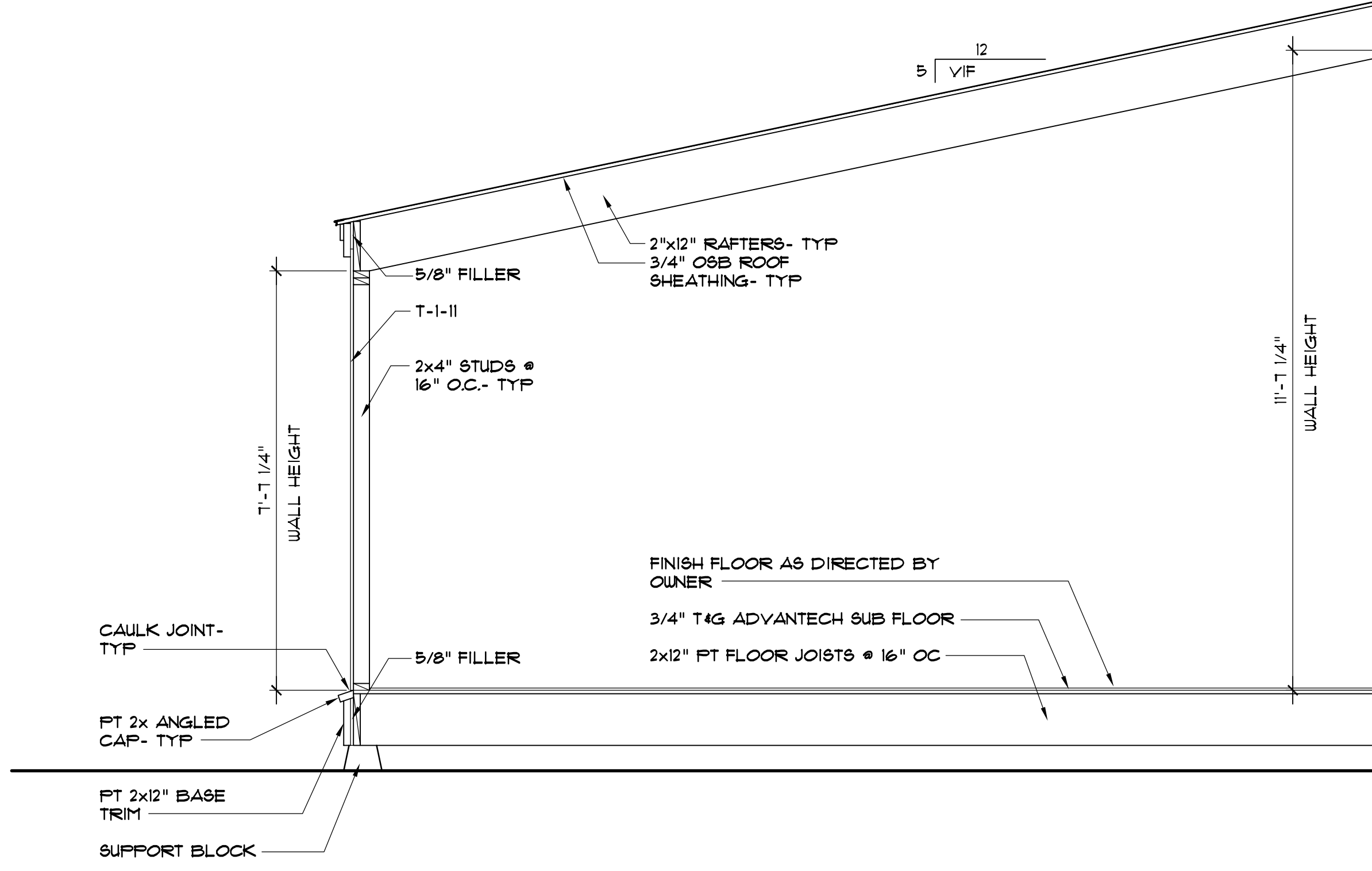
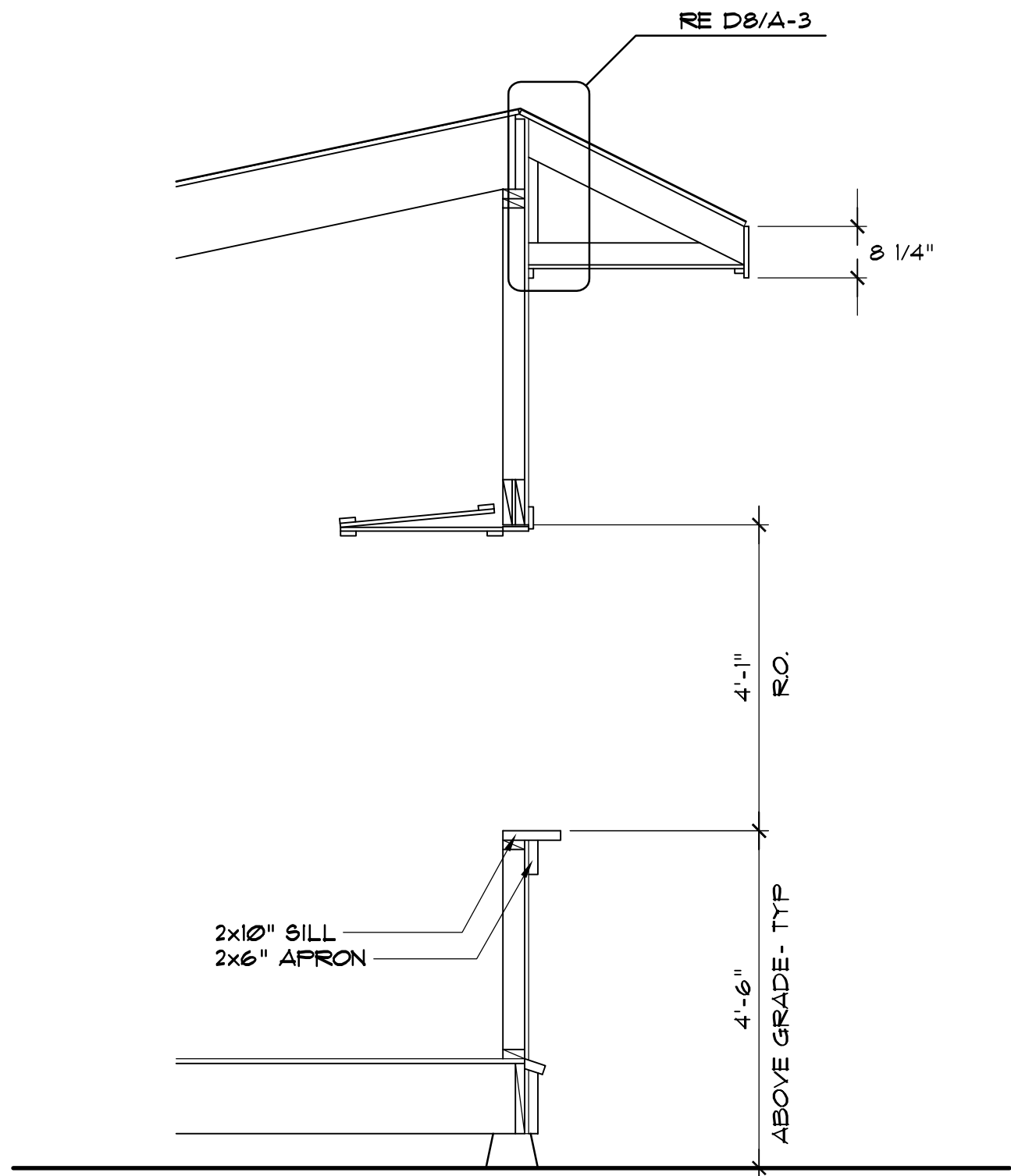


G3 WALL SECTION @ DOOR
 AE3 SCALE: 1/2" = 1'-0"



G8 BUILDING SECTION
 AE3 SCALE: 1/2" = 1'-0"



A3 WALL SECTION @ WINDOW
 AE3 SCALE: 1/2" = 1'-0"

2x6" RAFTER
 2x4" VERTICAL
 2x4" CEILING JOIST
 NOTE:
 LET RAFTER & CEILING
 JOIST INTO NOTCHED
 VERTICAL. ATTACH
 VERTICAL TP RAFTER
 RIM JOIST WITH 4"
 SCREWS - MIN

B8 BUILDING SECTION
 AE3 SCALE: 1/2" = 1'-0"