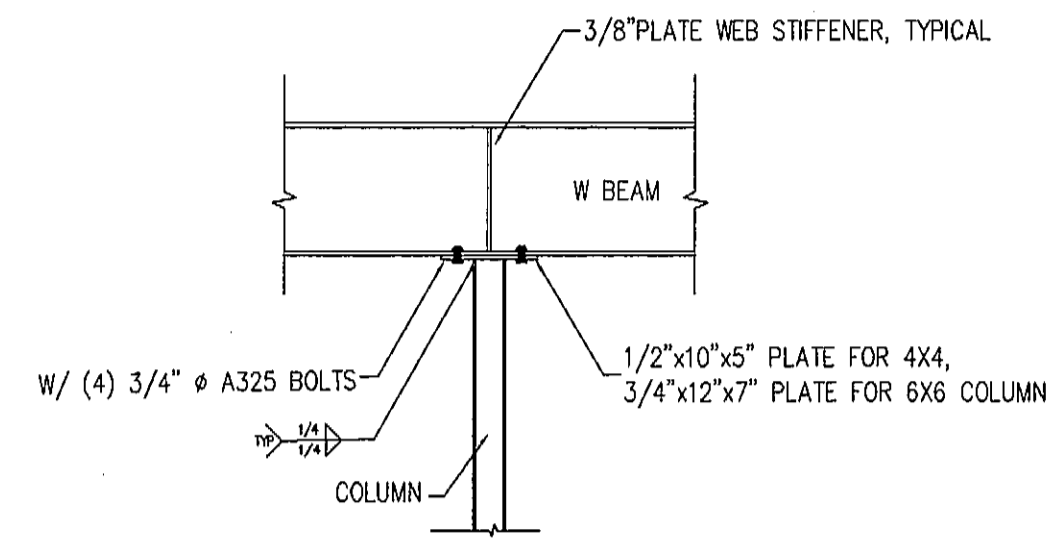
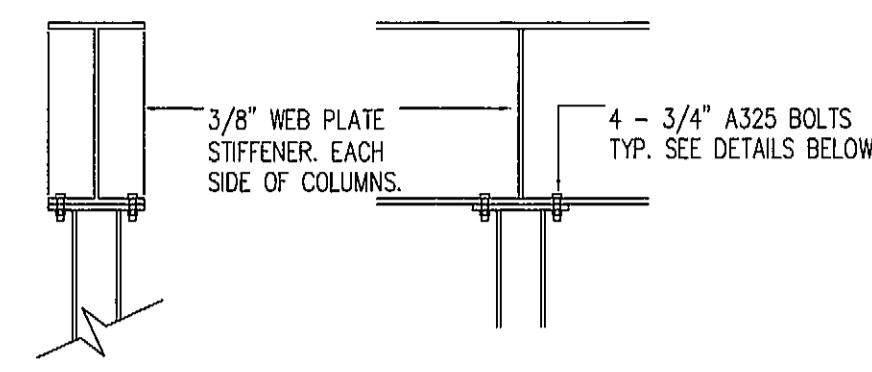


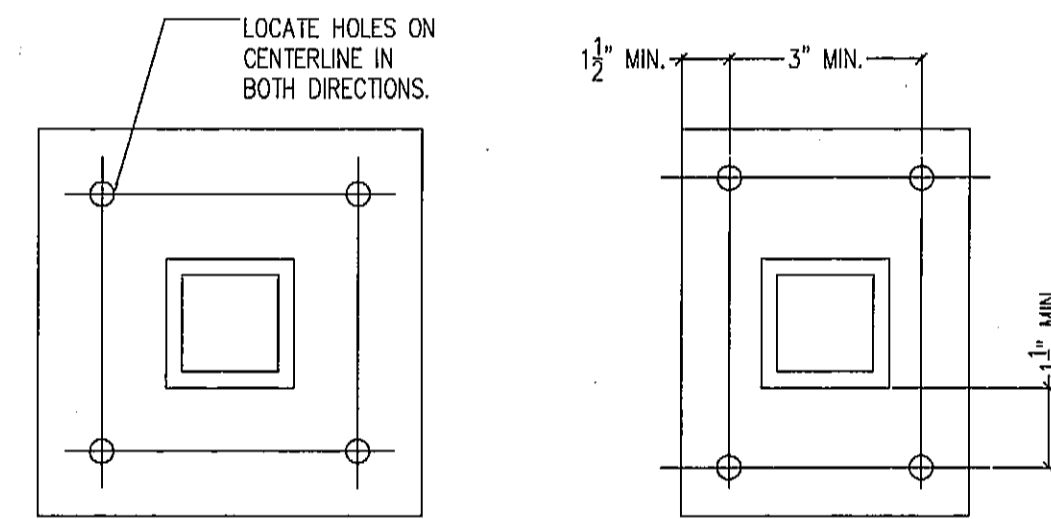
WOODBURY HILL PROFESSIONALS  
8 WOODBURY HILL RD.  
AUBURN, ME 04210  
P: 207.783.4459  
C: 207.754.8549  
JASON POTTER, P.E.

PO BOX 301  
FREEPORT, MAINE  
04032

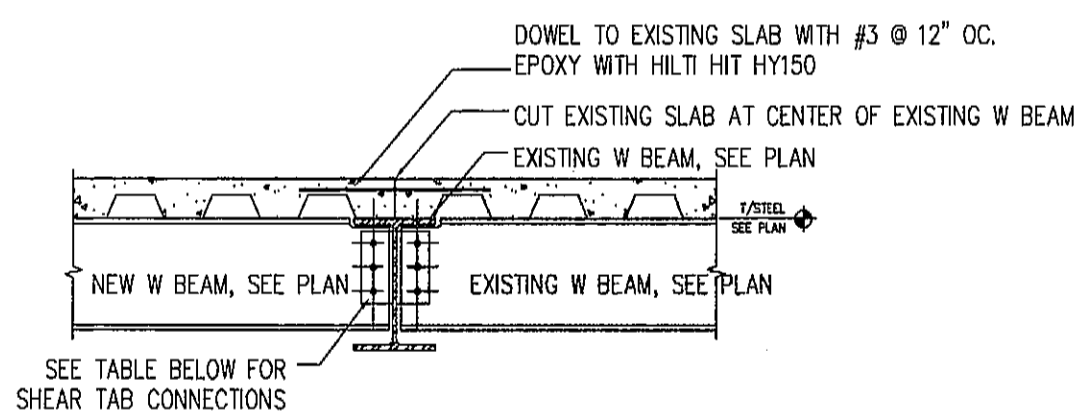
TEL 207-865-1272  
FAX 207-865-XXXX  
WWW.DOMUSARCHITECTS.NET



WEB PLATE DETAIL, TYP. SCALE: 3/4" = 1' 0"

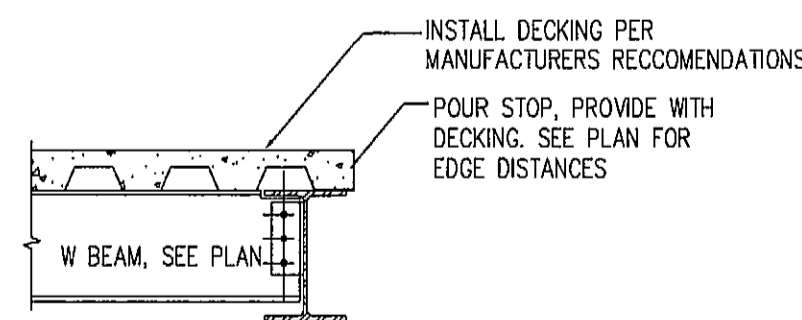


BASE PLATE TOP PLATE



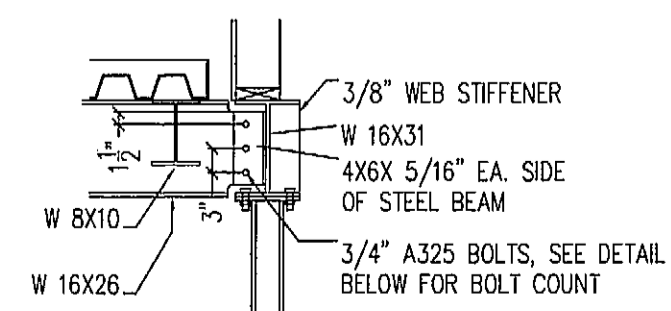
1 S420

SCALE: 3/4" = 1' 0"



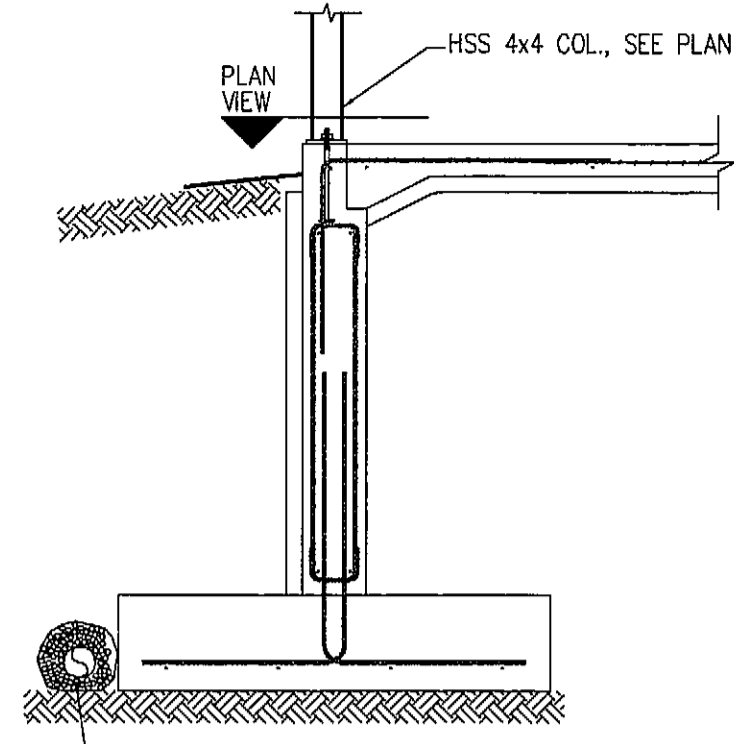
2 S420

SCALE: 3/4" = 1' 0"



3 S420

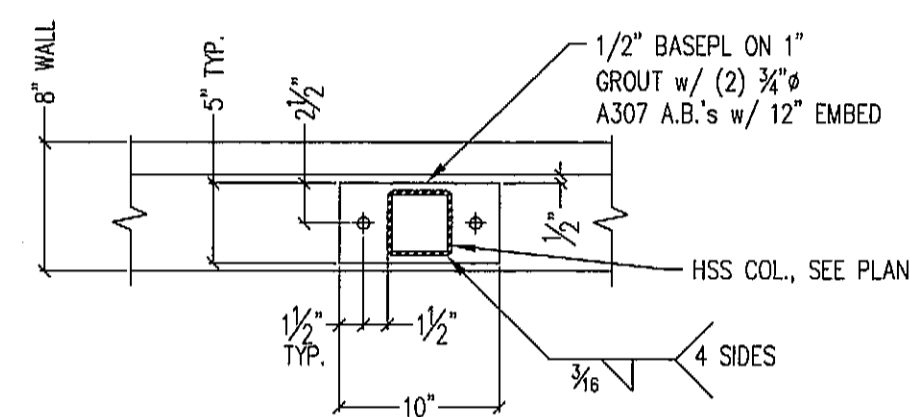
SCALE: 3/4" = 1' 0"



CONT. 6\"/>

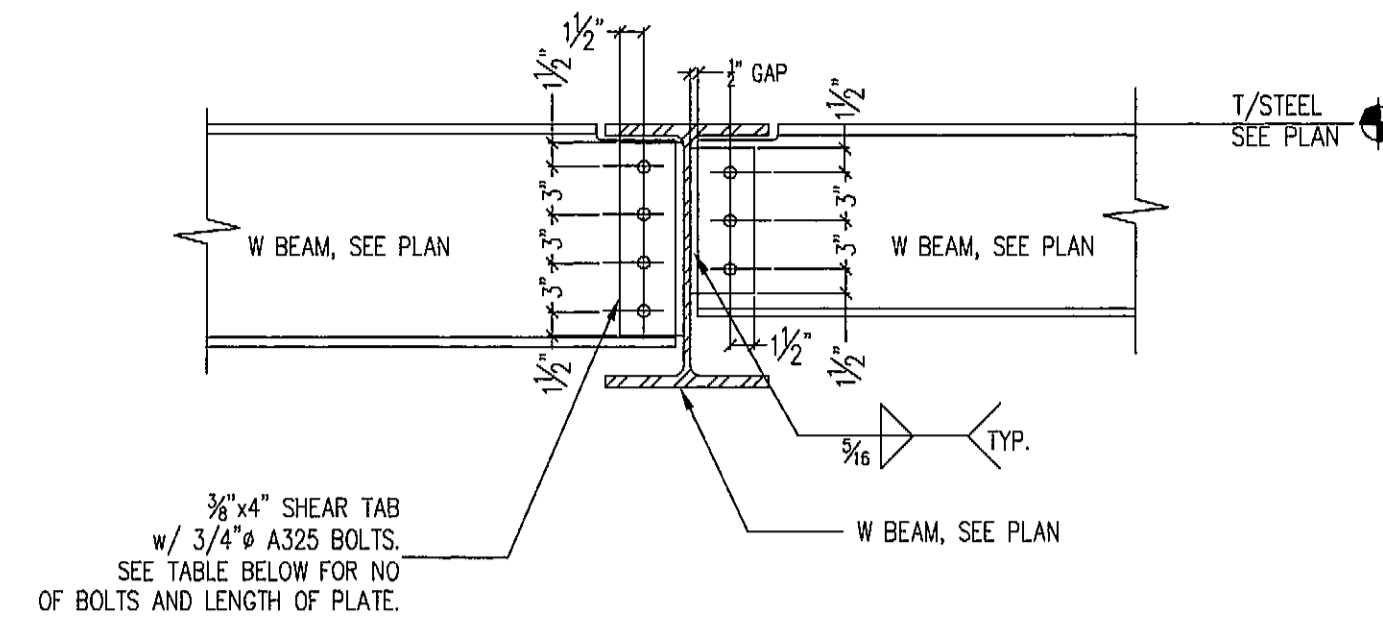
4 S420

SCALE: 3/4" = 1' 0"



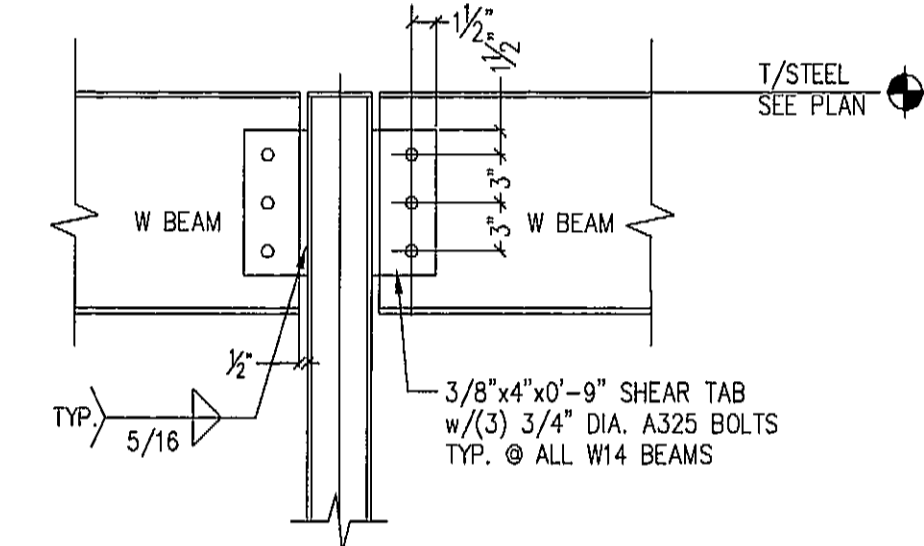
PLAN VIEW @ WALL

SCALE: 1" = 1' 0"



BEAM SIZE	NUMBER OF 3/8" A325 BOLTS	LENGTH OF SHEAR TAB PL.
WB & W10	2	6"
W12, W14, & W16	3	9"
W18, W21 & W24	4	15"

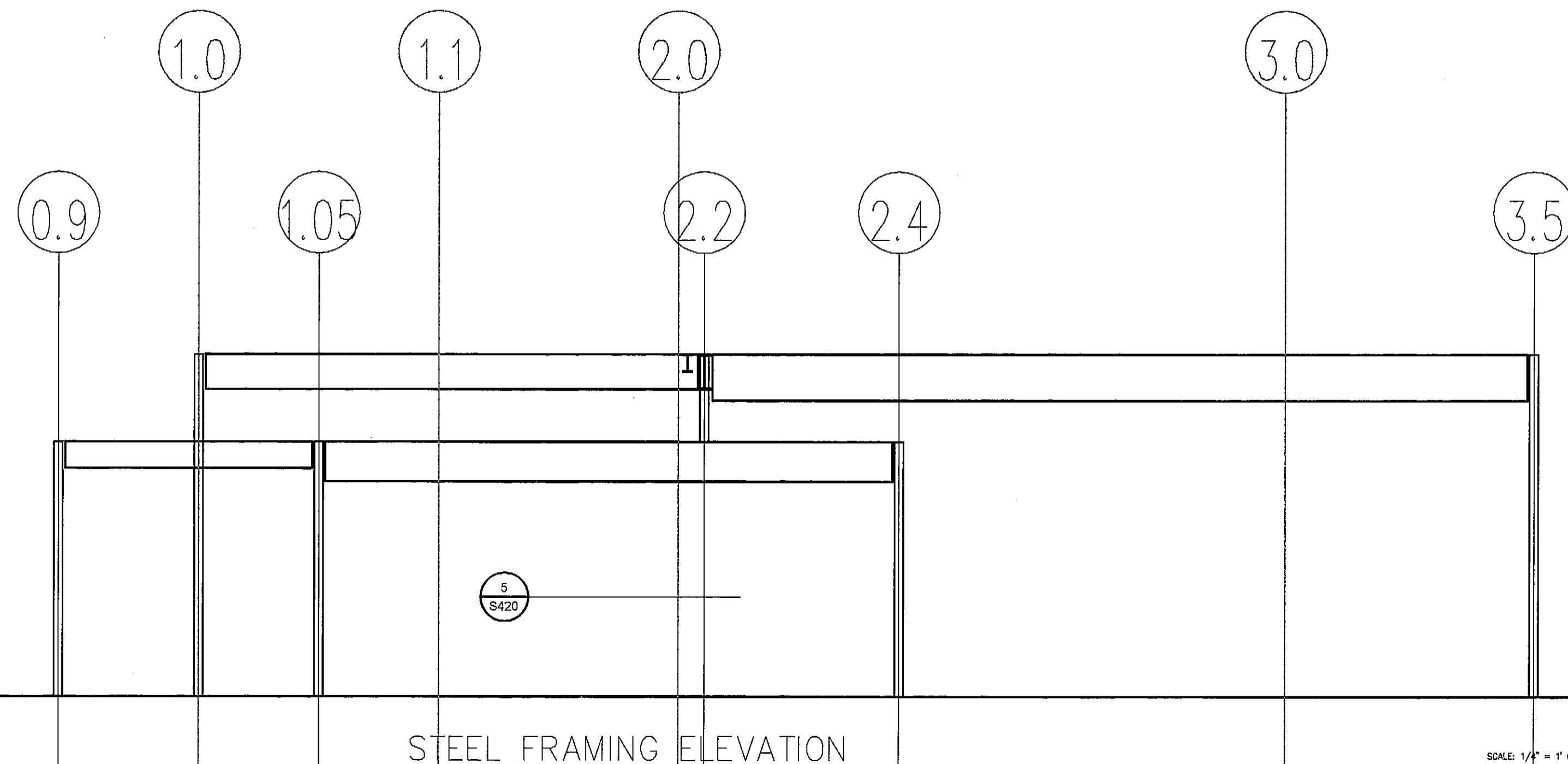
BEAM TO BEAM DETAIL, TYP. SCALE: 1" = 1' 0"



NOTES:  
1. OUTGOING BEAMS NOT SHOWN FOR CLARITY.  
2. SEE 1/S3.1 FOR ADD'L INFORMATION.

BEAM SIZE	NUMBER OF 3/8" A325 BOLTS	LENGTH OF SHEAR TAB PL.
WB & W10	2	6"
W12, W14, & W16	3	9"
W18, W21 & W24	4	15"

BEAM TO COLUMN DETAIL, TYP. SCALE: 1" = 1' 0"



STEEL FRAMING ELEVATION

SCALE: 1/4" = 1' 0"

NOTES/ REVISIONS

- \_\_\_\_\_
- \_\_\_\_\_
- \_\_\_\_\_
- \_\_\_\_\_
- \_\_\_\_\_
- \_\_\_\_\_
- \_\_\_\_\_
- \_\_\_\_\_
- \_\_\_\_\_
- \_\_\_\_\_
- \_\_\_\_\_
- \_\_\_\_\_

PORTLAND  
SEA DOGS  
CLUB HOUSE

HADLOCK FIELD  
PORTLAND, ME

PRINT STATUS:  
CONSTRUCTION DOCUMENTS  
BIDDING PRINT  
8/06/07

S-420

STEEL  
DETAILS

