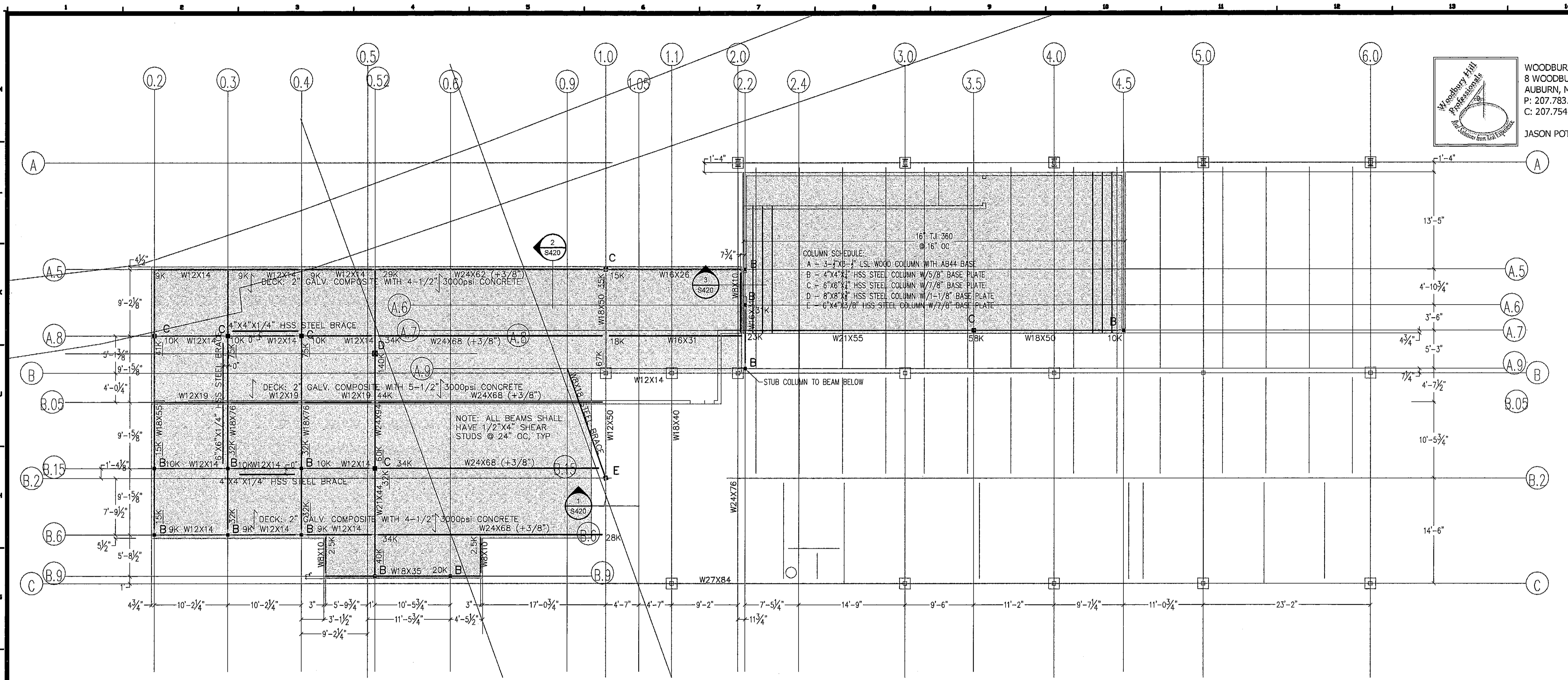


WOODBURY HILL PROFESSIONALS
 8 WOODBURY HILL RD.
 AUBURN, ME 04210
 P: 207.783.4459
 C: 207.754.8549
 JASON POTTER, P.E.

PO BOX 301
 FREEPORT, MAINE
 04032

TEL 207-865-1272
 FAX 207-865-XXXX
 WWW.DOMUSARCHITECTS.NET



NOTES/ REVISIONS

- _____
- _____
- _____
- _____
- _____
- _____
- _____
- _____
- _____
- _____
- _____
- _____
- _____
- _____
- _____

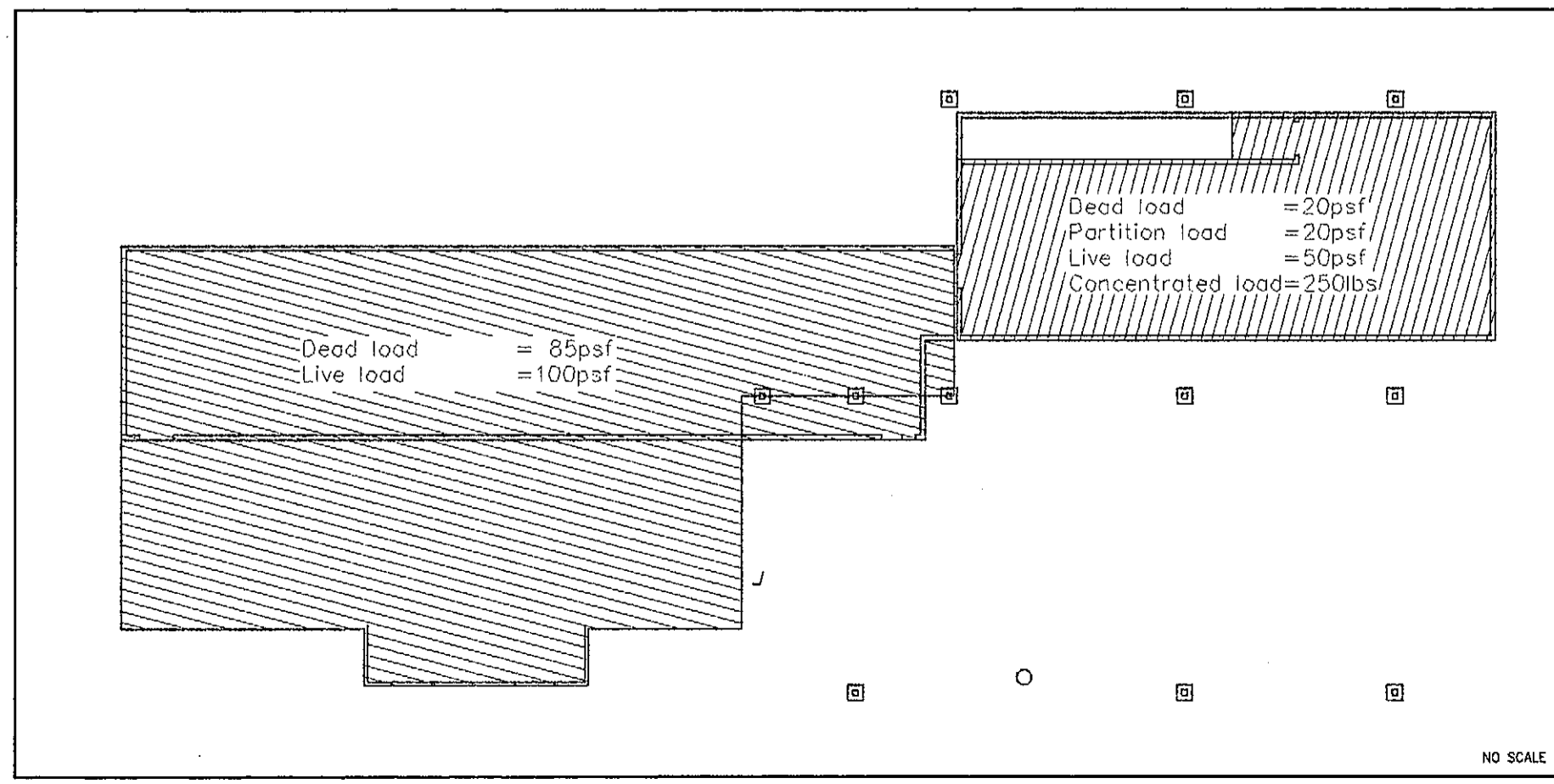
PORTLAND
 SEA DOGS
 CLUB HOUSE

HADLOCK FIELD
 PORTLAND, ME

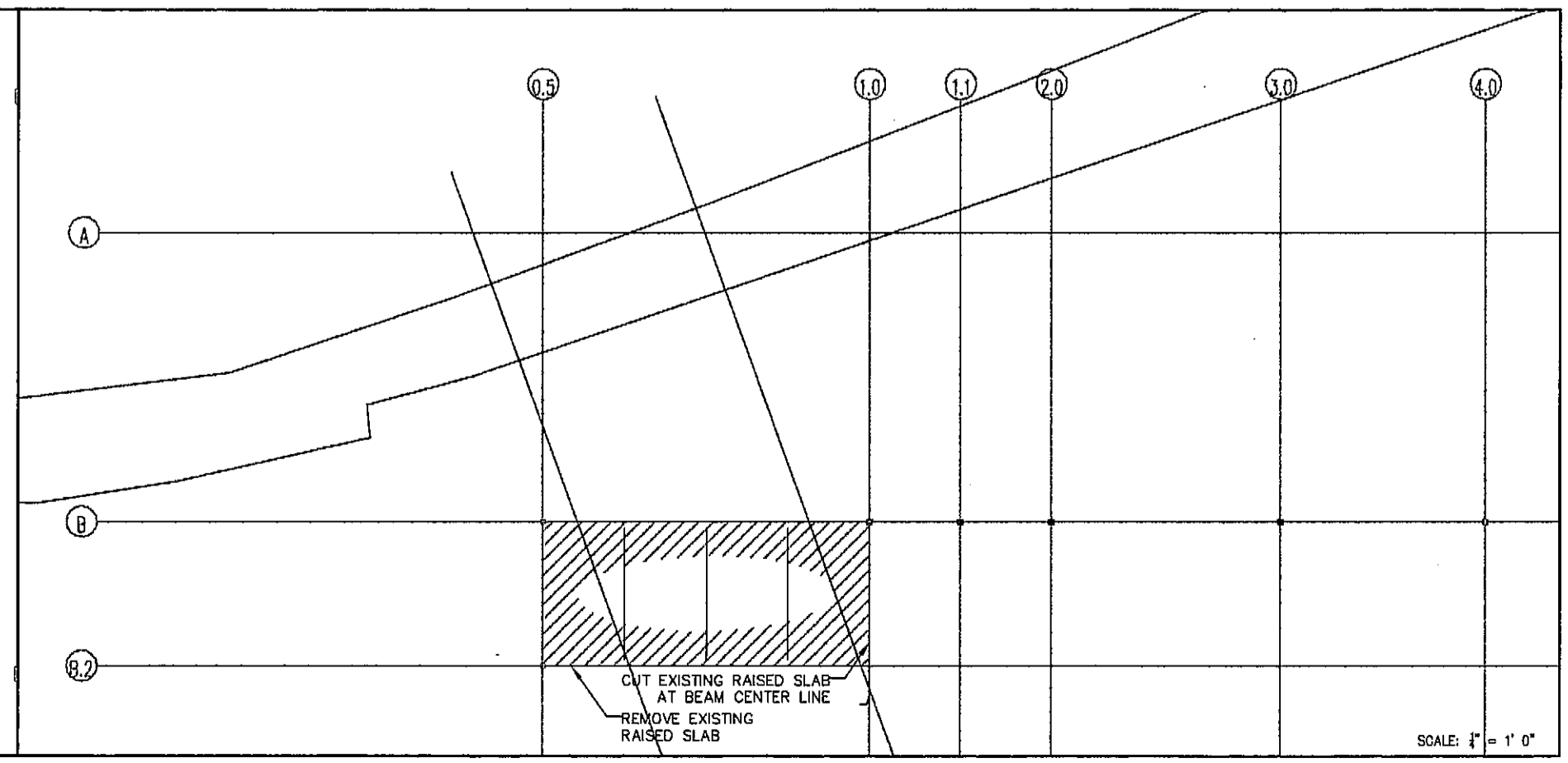
PRINT STATUS:
 CONSTRUCTION DOCUMENTS
 BIDDING PRINT
 8/06/07

S-220

SECOND
 FLOOR PLAN



LOAD PLAN



DEMOLITION PLAN

SCALE: 1" = 1' 0"