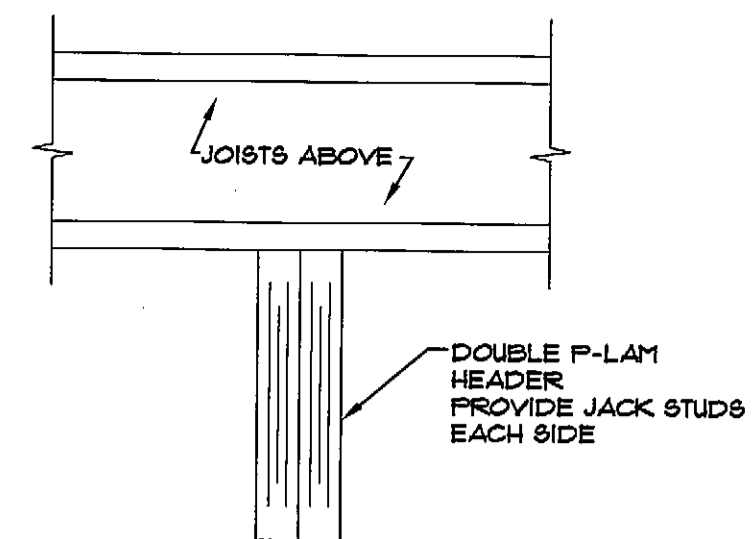


L1 CONCRETE PAD SECTION
AE420 SCALE: 1 1/2" = 1'-0"

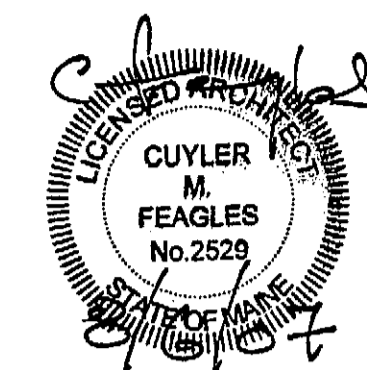


L4 HEADER SECTION
AE420 SCALE: 1 1/2" = 1'-0"

NOTE:
 1. SEE SHEET T-1 FOR LEGEND, ABBREVIATIONS & GENERAL NOTES.

DOMUS ARCHITECTS

PO BOX 301
 FREEPORT, MAINE
 04032



TEL 207-865-1272
 FAX 207-865-XXXX
 WWW.DOMUSARCHITECTS.NET

NOTES/ REVISIONS

-
-
-
-
-
-
-
-
-
-
-
-
-
-
-
-

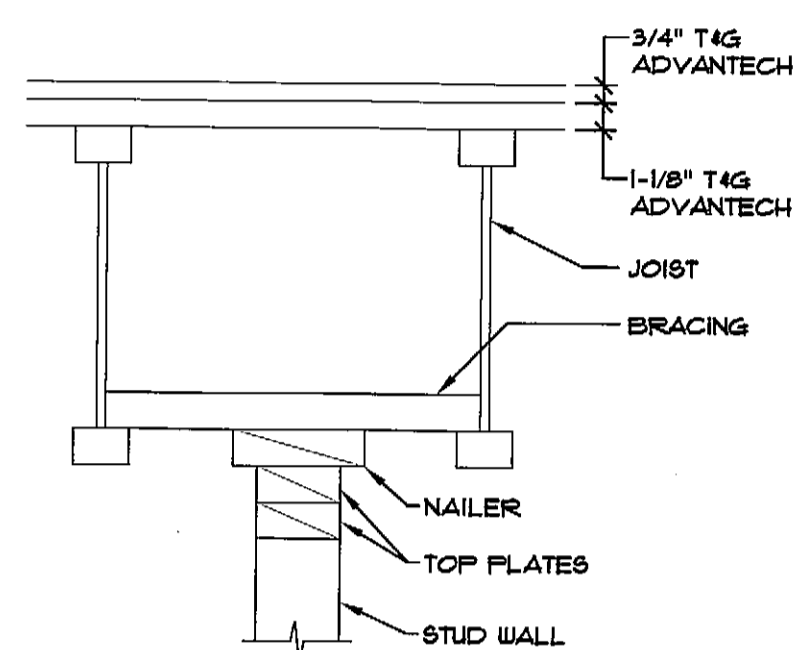
**PORTLAND
 SEA DOGS
 CLUB HOUSE**

HADLOCK FIELD
 PORTLAND, ME

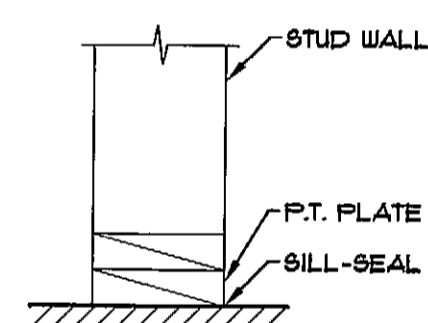
ISSUED FOR
 CONSTRUCTION
 8/6/07

AE-420

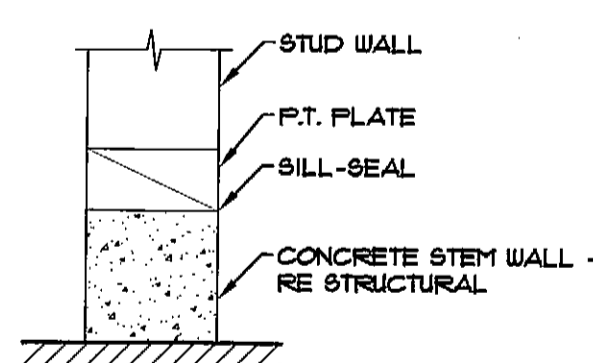
**SECTION
 DETAILS**



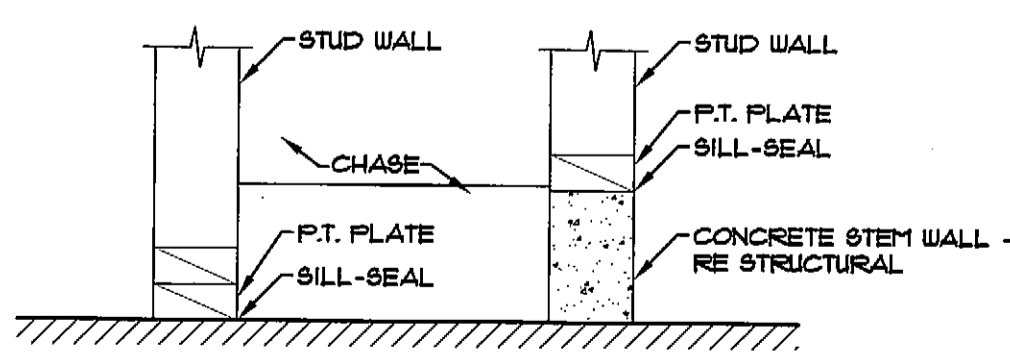
G1 SECTION DETAIL
AE420 SCALE: 1-1/2" = 1'-0"



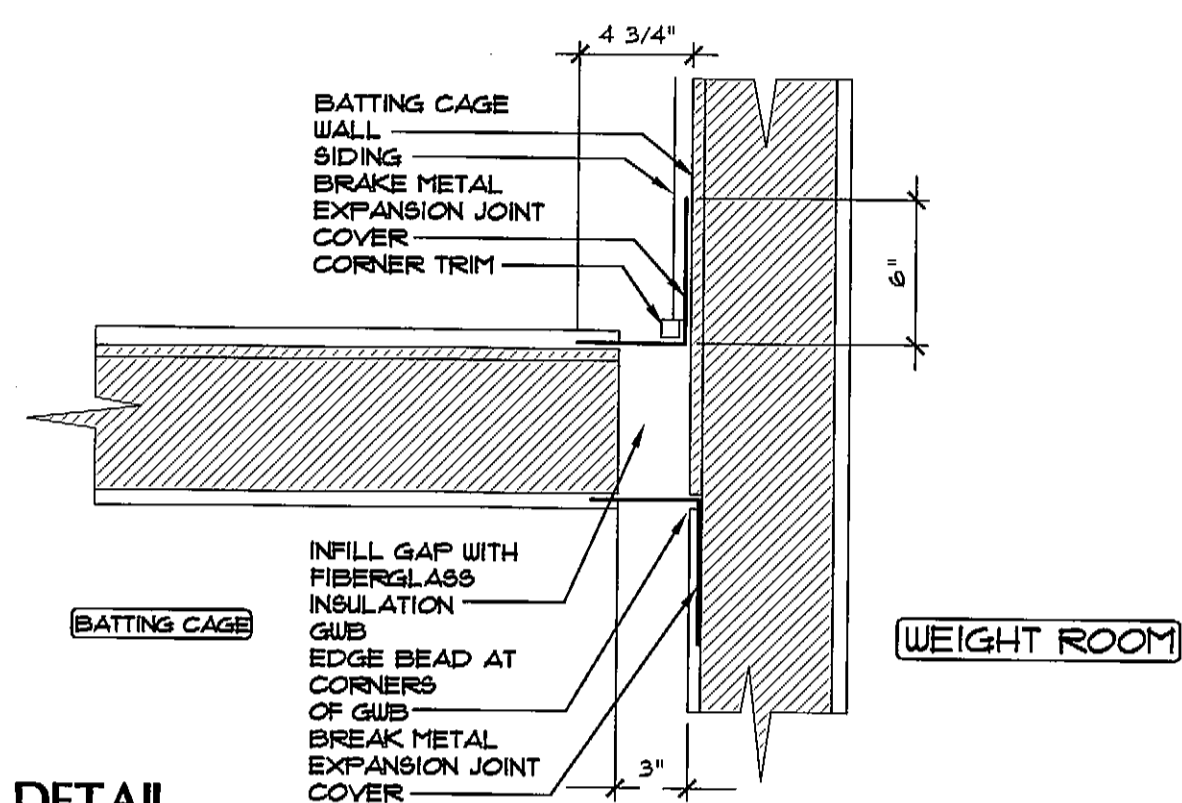
E1 SECTION DETAIL
AE420 SCALE: 1-1/2" = 1'-0"



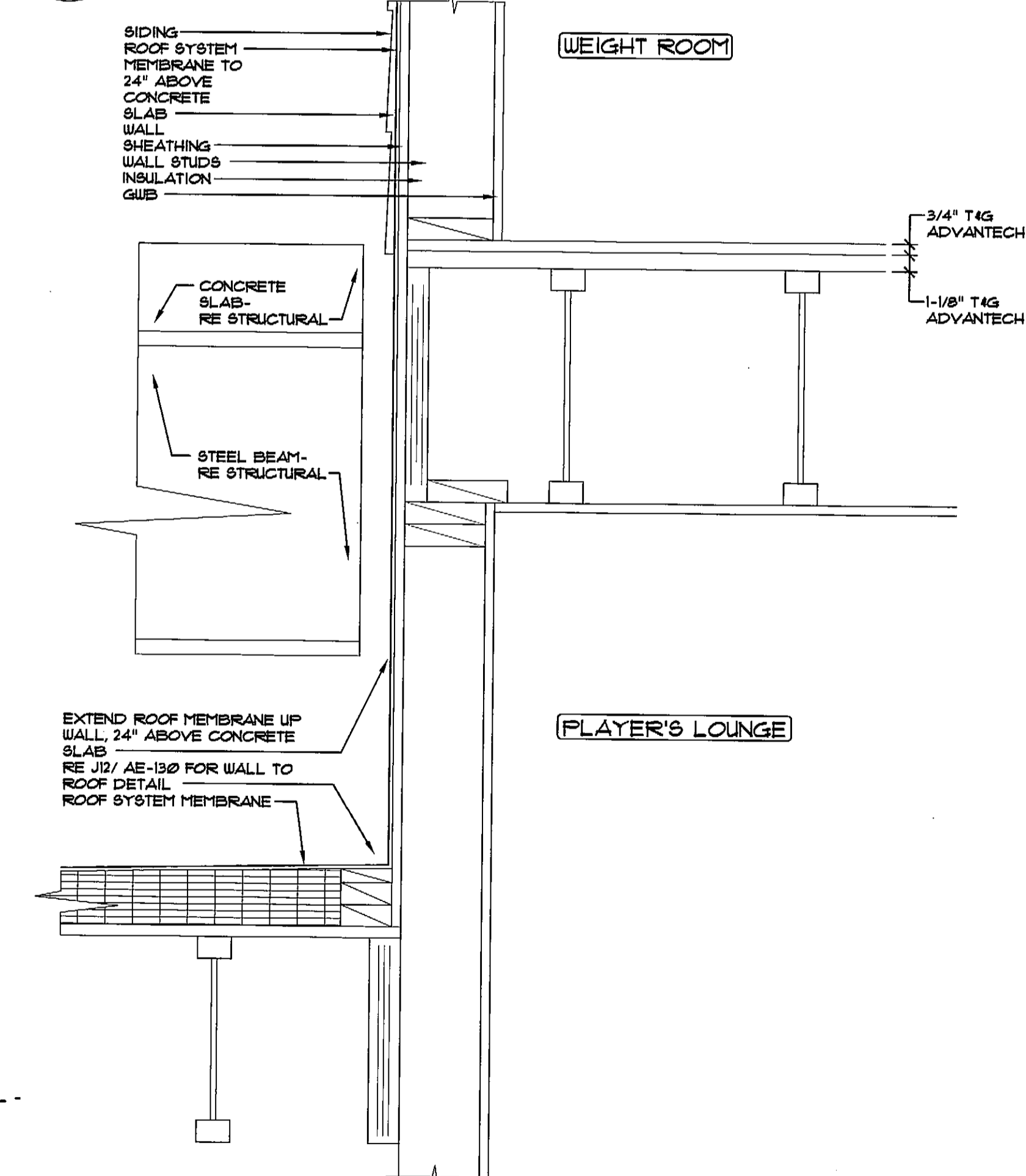
C1 SECTION DETAIL
AE420 SCALE: 1-1/2" = 1'-0"



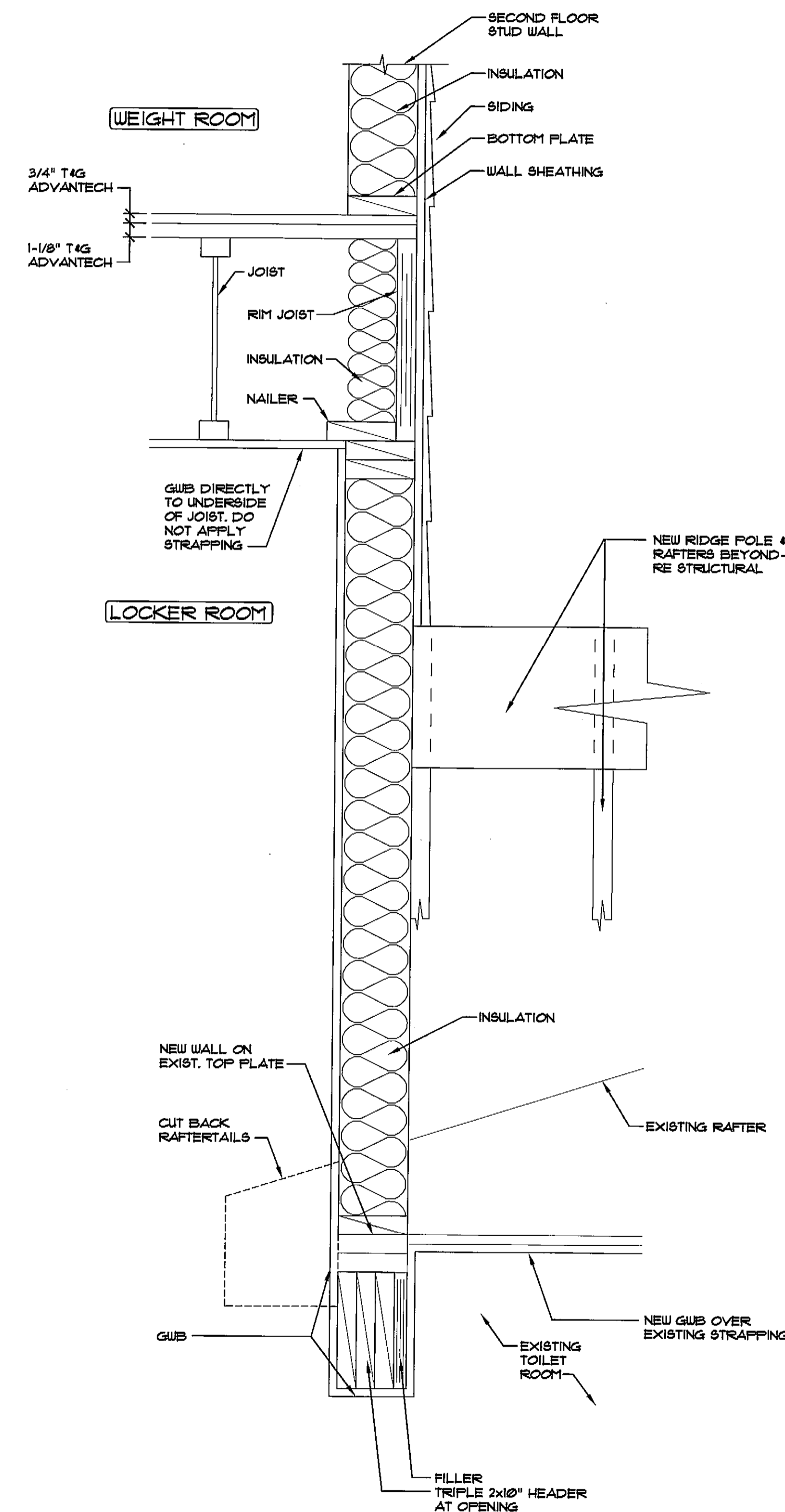
A1 SECTION DETAIL
AE420 SCALE: 1-1/2" = 1'-0"



G3 PLAN DETAIL
AE420 SCALE: 1-1/2" = 1'-0"



A4 SECTION DETAIL
AE420 SCALE: 1-1/2" = 1'-0"



A9 SECTION DETAIL
AE420 SCALE: 1-1/2" = 1'-0"