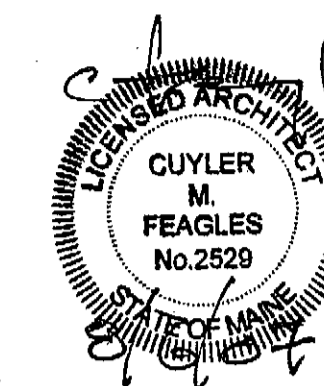


PO BOX 301
FREEPORT, MAINE
04032



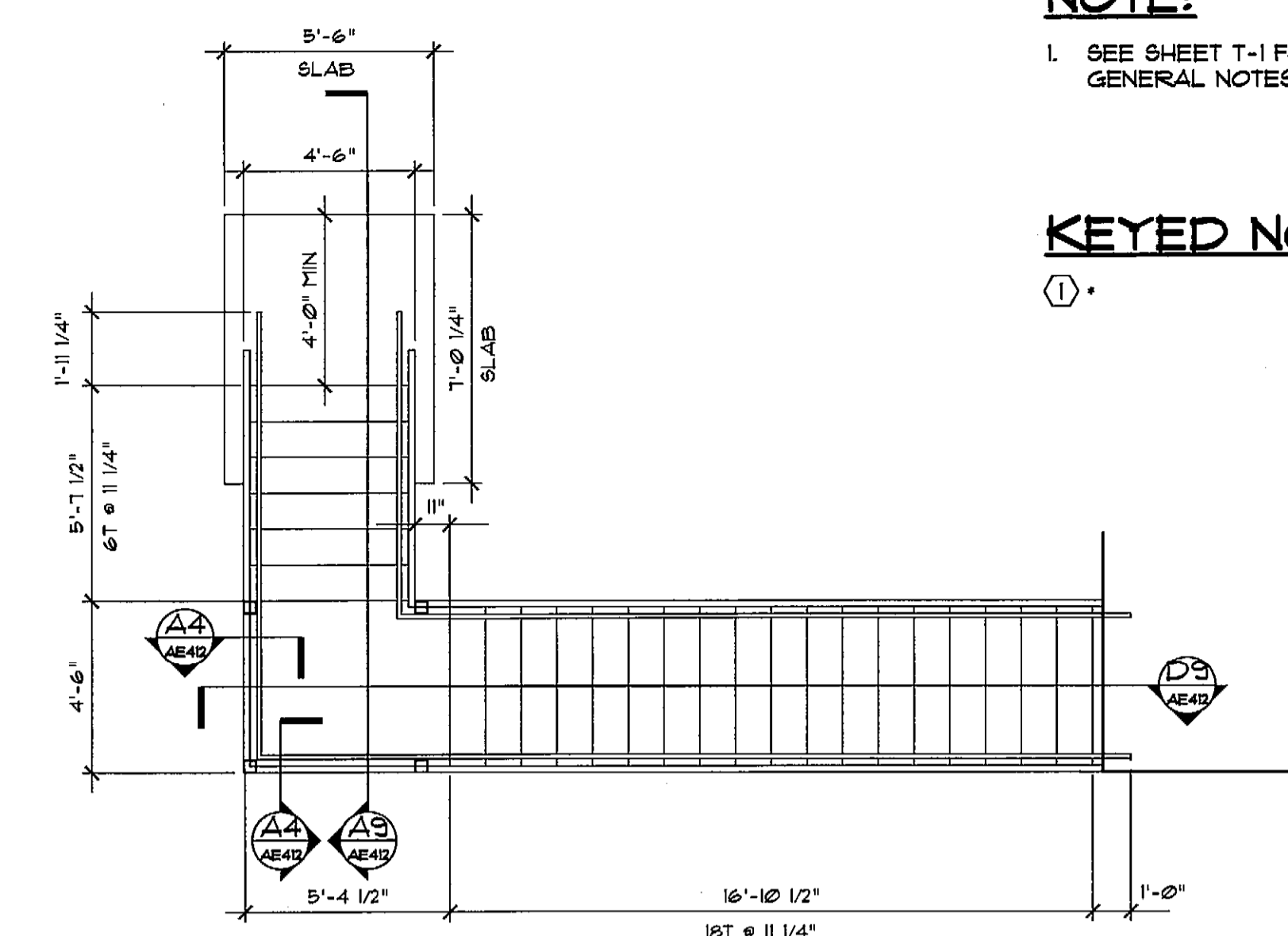
TEL 207-865-1272
FAX 207-865-XXXX
WWW.DOMUSARCHITECTS.NET

NOTE:

1. SEE SHEET T-1 FOR LEGEND, ABBREVIATIONS & GENERAL NOTES.

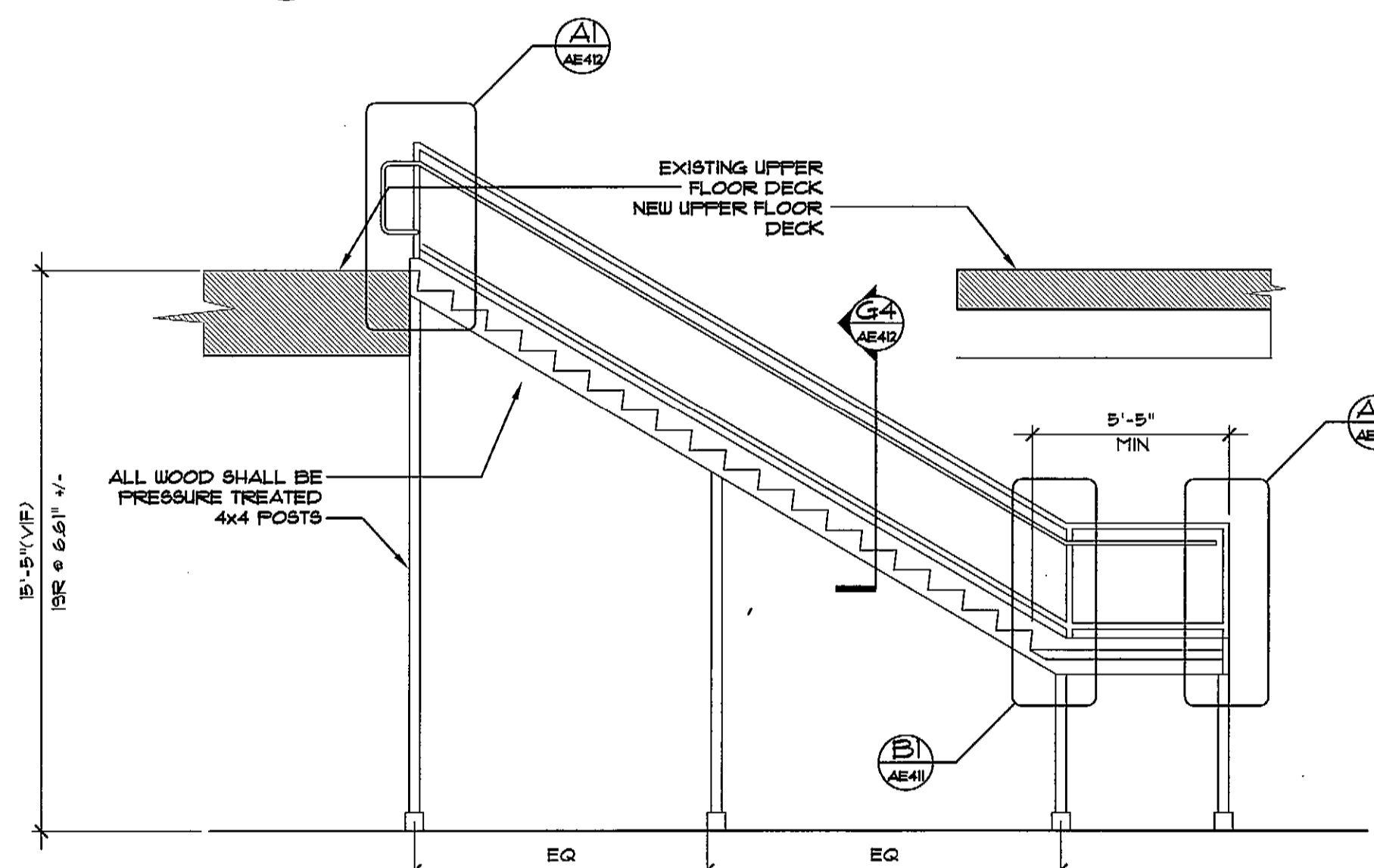
KEYED NOTES:

①



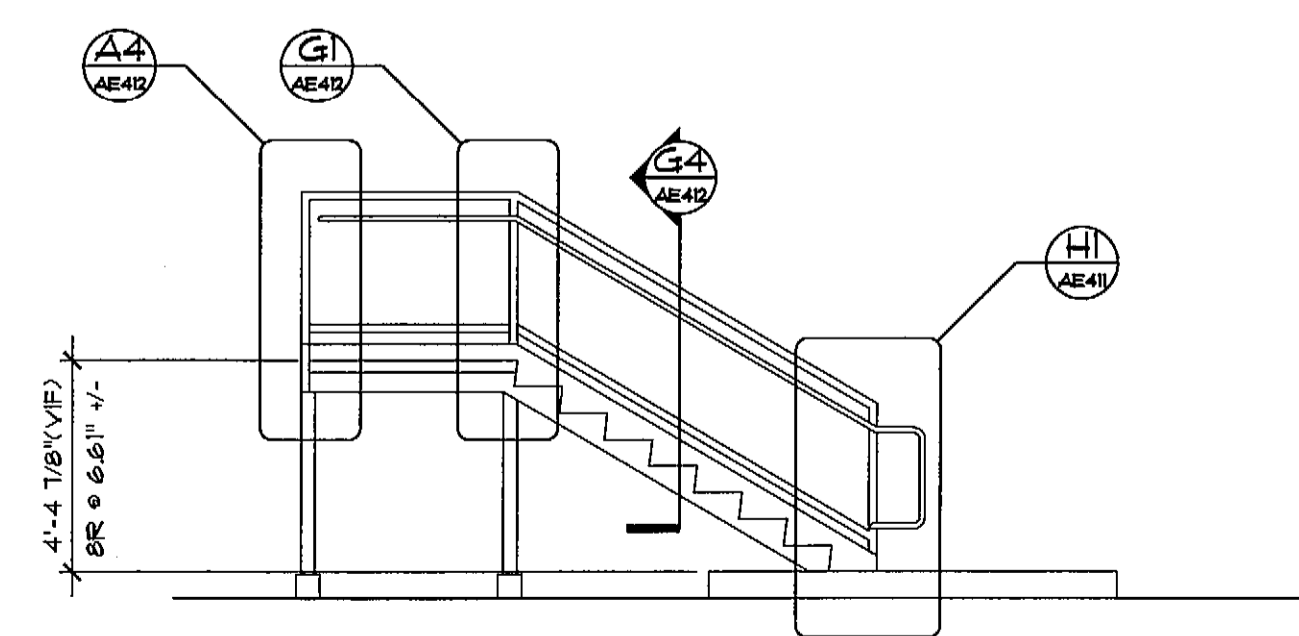
H9 ENLARGED STAIR PLAN

SCALE: 1/4" = 1'-0"



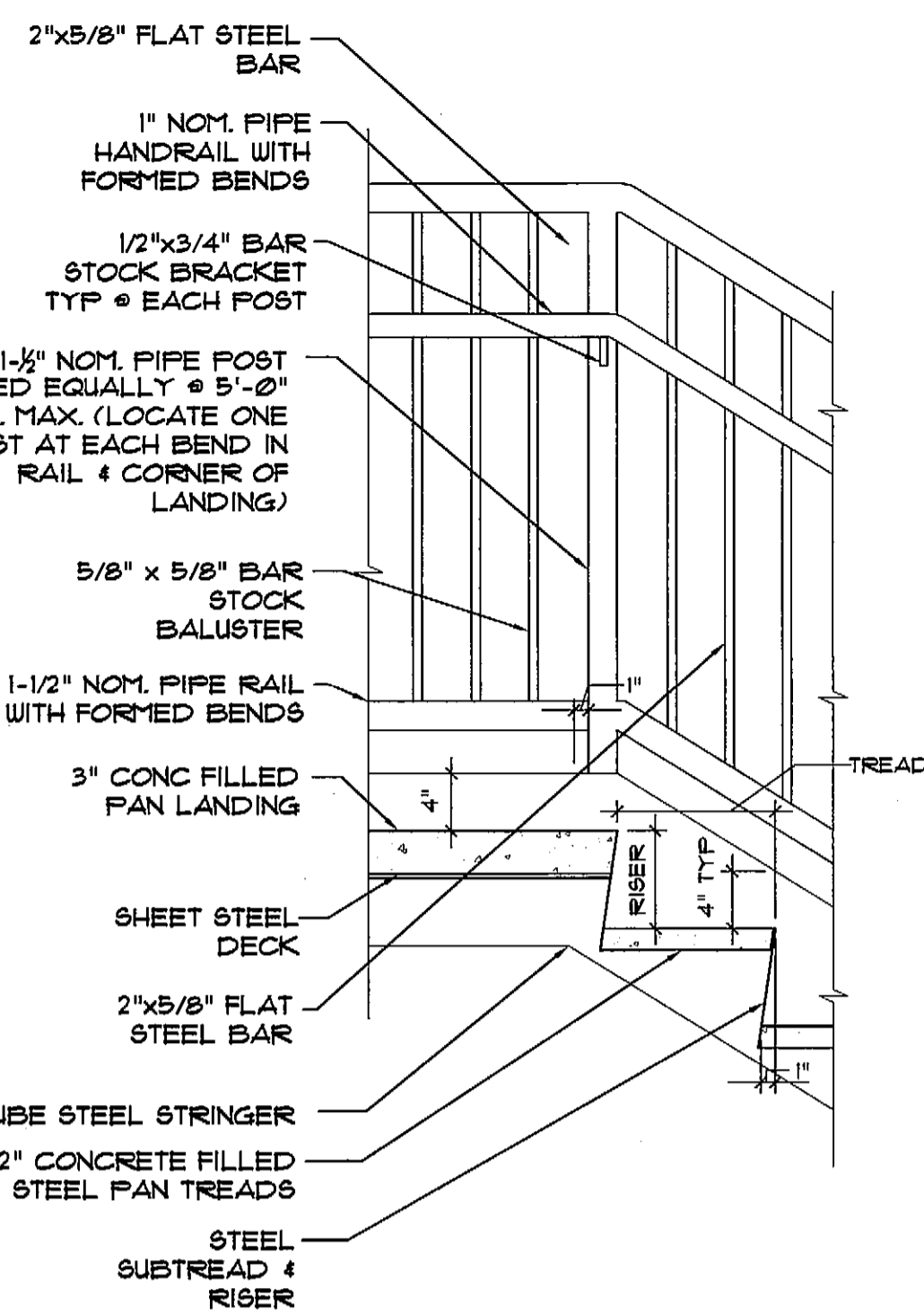
D9 STAIR SECTION

SCALE: 1/4" = 1'-0"



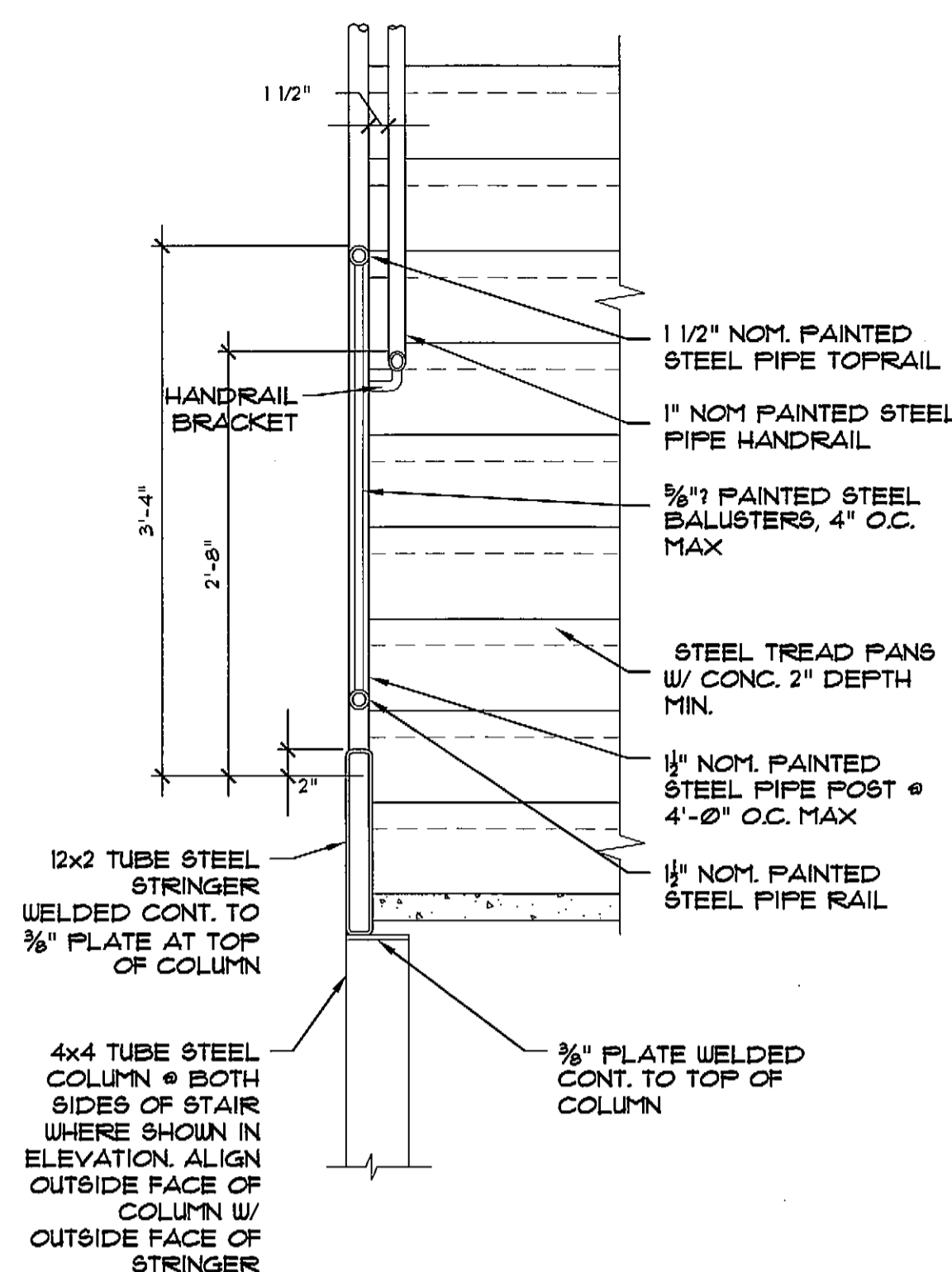
A9 STAIR SECTION

SCALE: 1/4" = 1'-0"



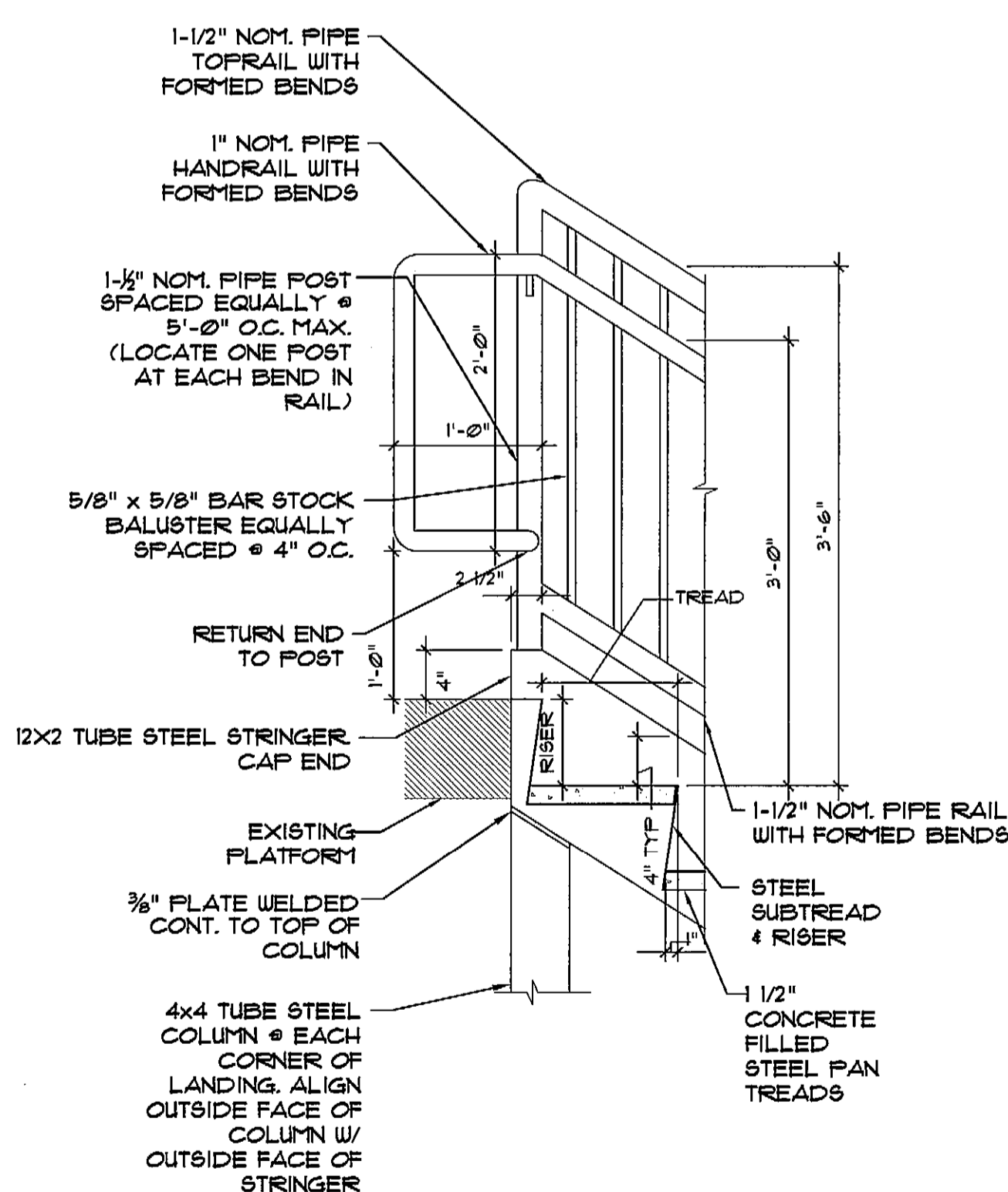
G1 STAIR SECTION DETAIL

SCALE: 1" = 1'-0"



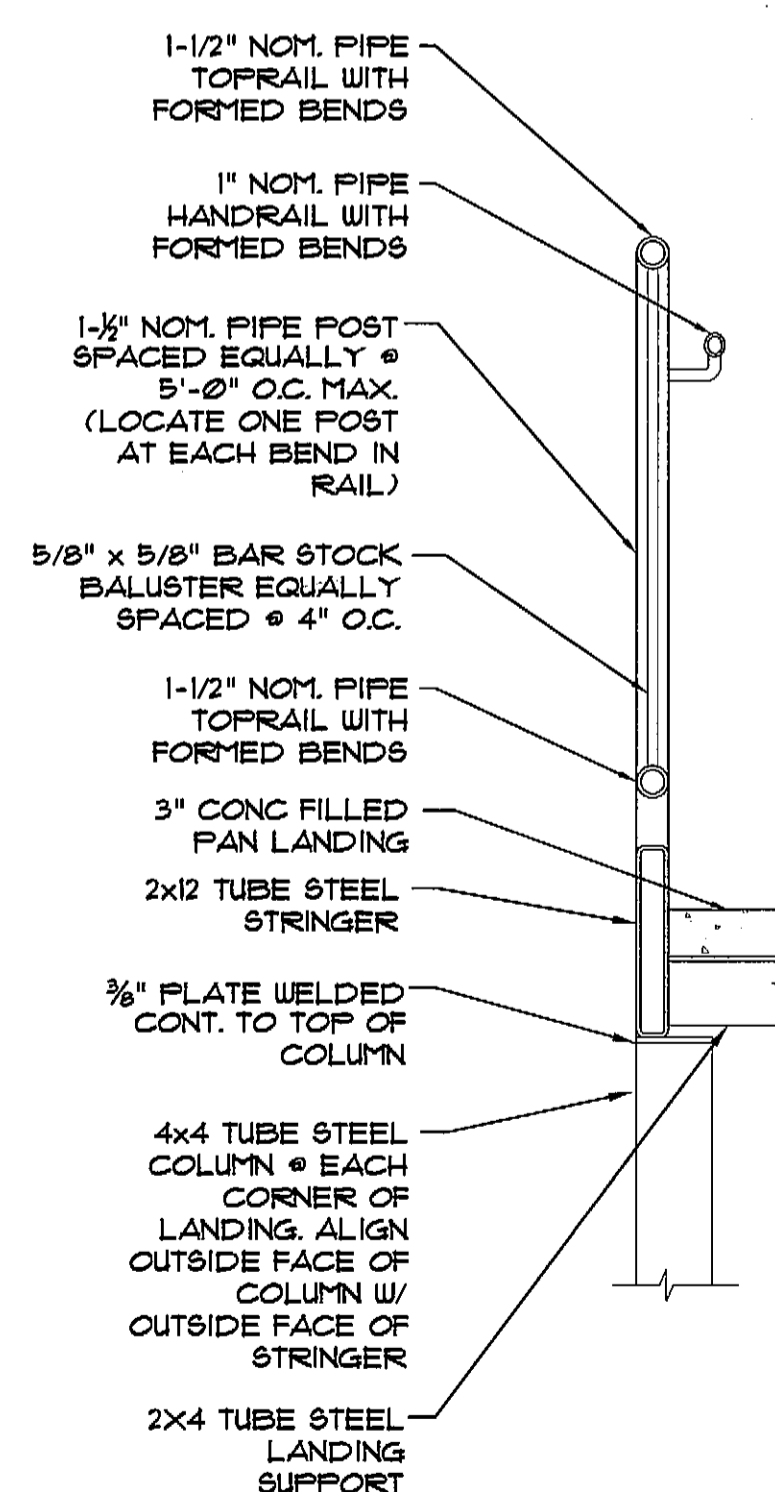
G4 STAIR SECTION DETAIL

SCALE: 1" = 1'-0"



A1 STAIR SECTION DETAIL

SCALE: 1" = 1'-0"



A4 STAIR SECTION DETAIL

SCALE: 1" = 1'-0"

NOTES/ REVISIONS

- Blank lines for notes and revisions.

**PORTLAND
SEA DOGS
CLUB HOUSE**

HADLOCK FIELD
PORTLAND, ME

ISSUED FOR
CONSTRUCTION
8/6/07

AE-412

**ENLARGED FLOOR
PLAN &
STAIR DETAILS**