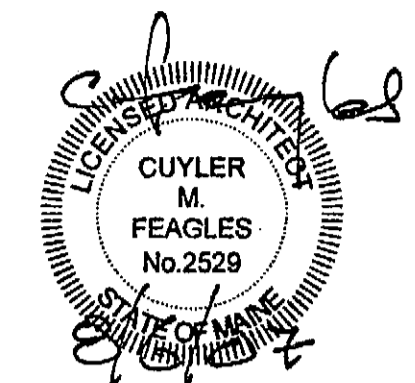


NOTE:

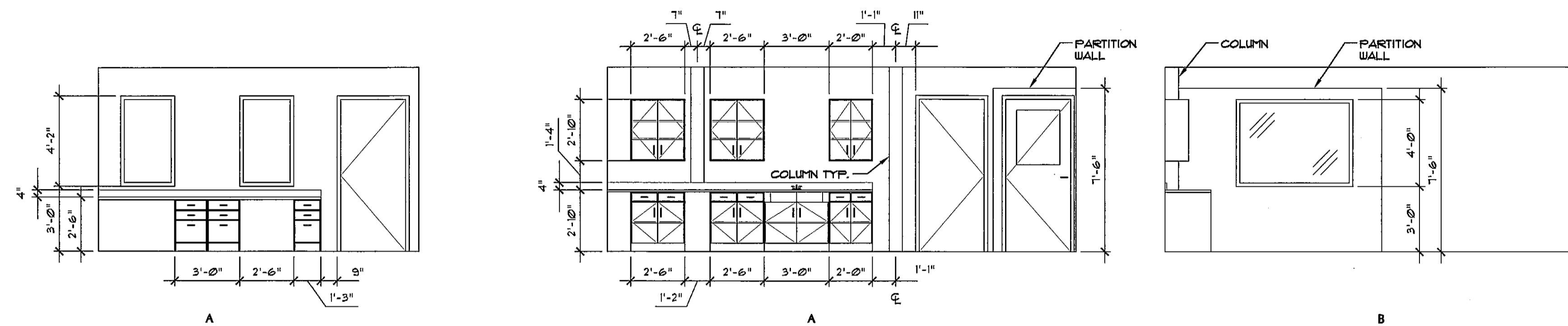
1. SEE SHEET T-1 FOR LEGEND, ABBREVIATIONS & GENERAL NOTES.

DOMUS ARCHITECTS

PO BOX 301
FREEPORT, MAINE
04032

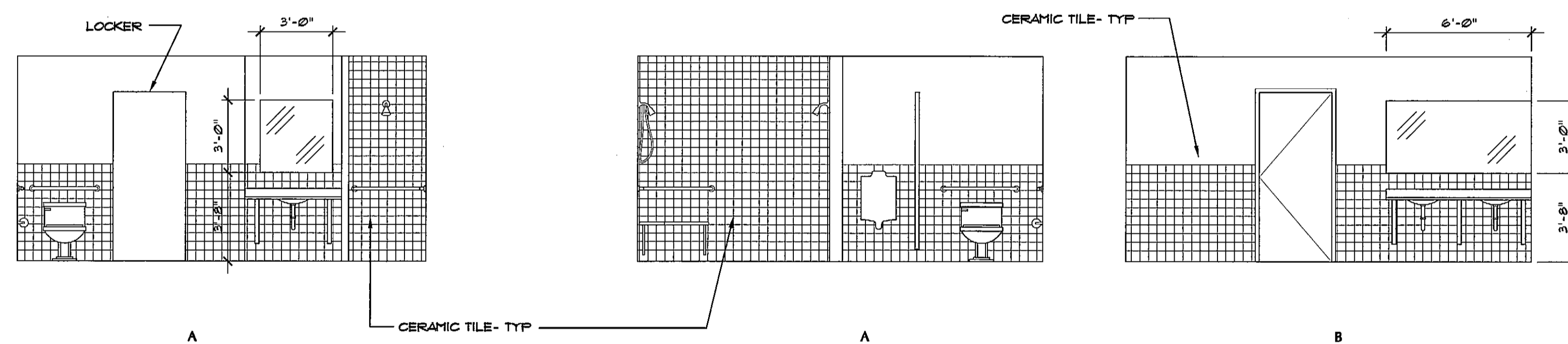


TEL 207-865-1272
FAX 207-865-XXXX
WWW.DOMUSARCHITECTS.NET



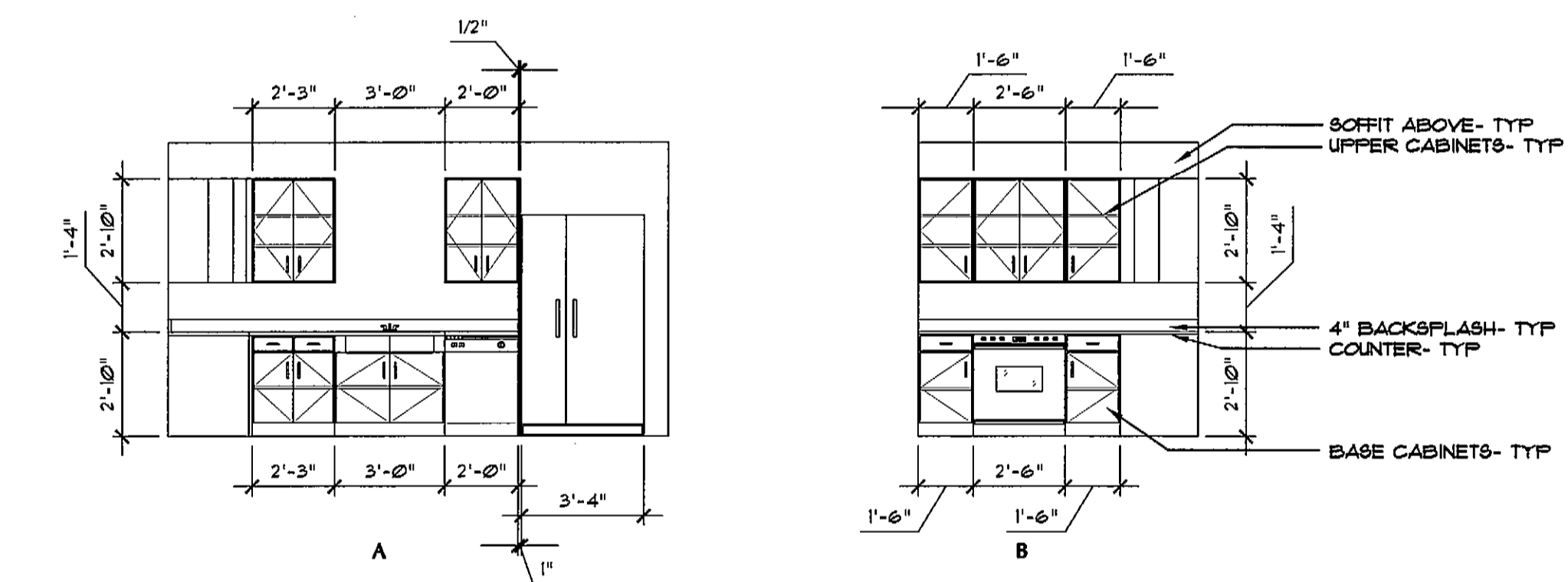
H1 TRAINER'S OFFICE RM. 119
AE230 SCALE: 1/4" = 1'-0"

H4 TRAINER'S RM. 118
AE230 SCALE: 1/4" = 1'-0"

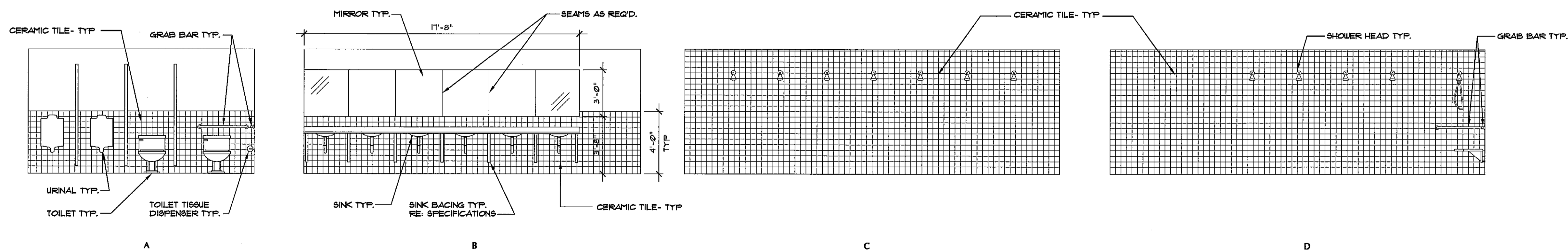


D1 MANAGER'S BATH RM. 111
AE230 SCALE: 1/4" = 1'-0"

D6 COACH'S BATH RM. 117
AE230 SCALE: 1/4" = 1'-0"



D11 KITCHEN RM. 102
AE230 SCALE: 1/4" = 1'-0"



A1 PLAYER'S BATH RM. 105
AE230 SCALE: 1/4" = 1'-0"

NOTES/ REVISIONS

- _____
- _____
- _____
- _____
- _____
- _____
- _____
- _____
- _____
- _____
- _____
- _____
- _____
- _____
- _____
- _____
- _____
- _____
- _____
- _____
- _____
- _____

**PORTLAND
SEA DOGS
CLUB HOUSE**

HADLOCK FIELD
PORTLAND, ME

ISSUED FOR
CONSTRUCTION
8/6/07

AE-230

**INTERIOR
ELEVATIONS**