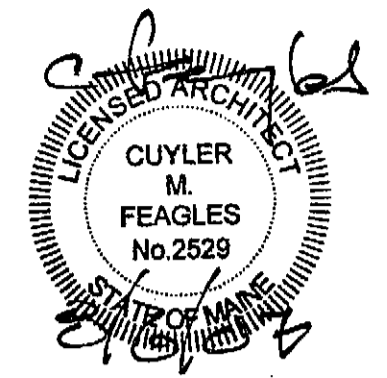


PO BOX 301  
FREEPORT, MAINE  
04032



TEL 207-865-1272  
FAX 207-865-XXXX

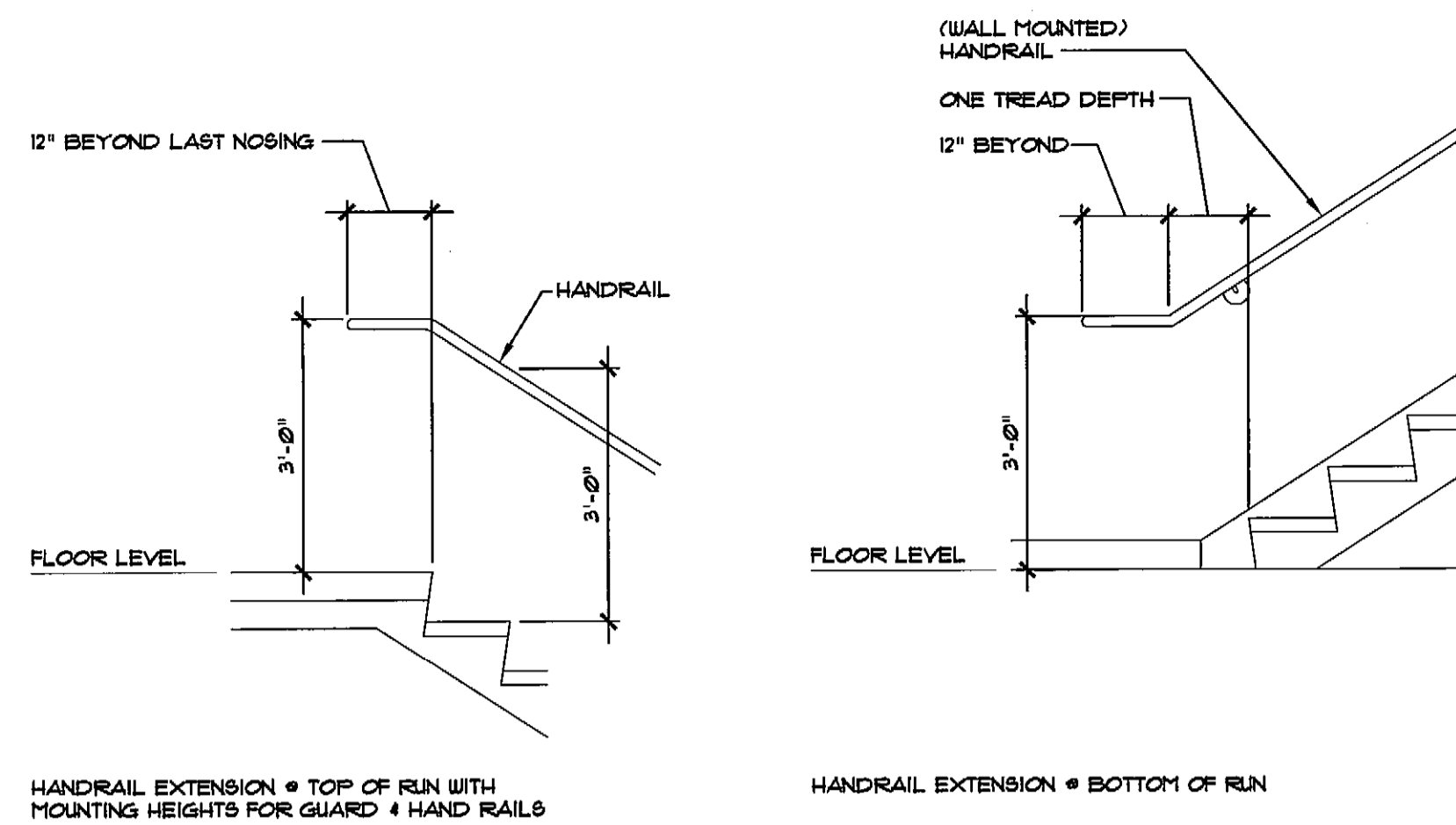
WWW.DOMUSARCHITECTS.NET

**NOTES:**

1. SEE SHEET T-1 FOR LEGEND, ABBREVIATIONS & GENERAL NOTES.
2. CONTRACTOR ALL SIGNAGE IDENTIFIED IN THE CONTRACT DOCUMENTS INCLUDING BUT NOT LIMITED TO EMERGENCY EXIT SIGNS, INTERIOR & EXTERIOR SIGNS AND TACTILE SIGNAGE.

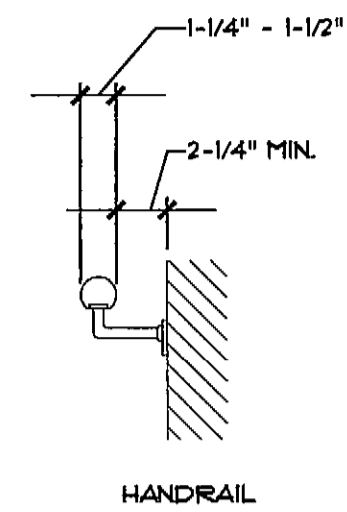
**KEYED NOTES:**

①.



HANDRAIL EXTENSION • TOP OF RAIL WITH MOUNTING HEIGHTS FOR GUARD & HAND RAILS

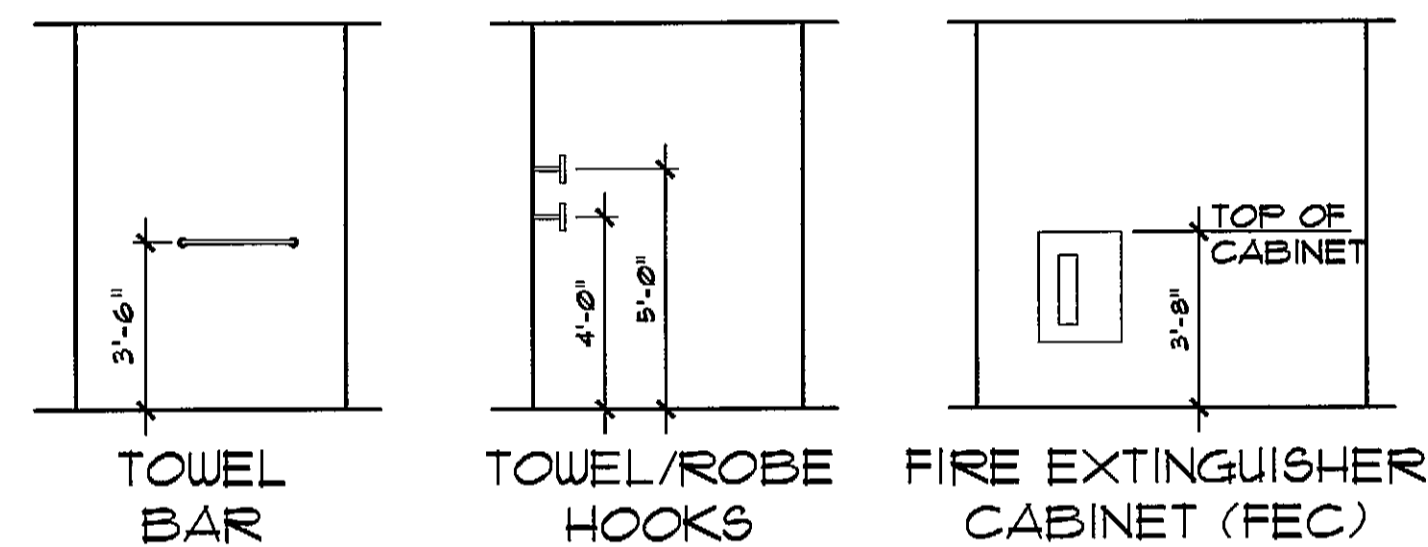
HANDRAIL EXTENSION • BOTTOM OF RAIL



HANDRAIL

**CI HANDRAIL MOUNTING HEIGHTS**  
SCALE: 1/2" = 1'-0"

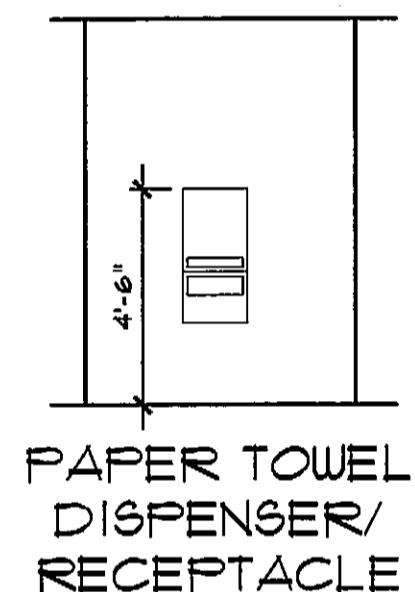
**C6 HANDRAIL MOUNTING HEIGHTS**  
SCALE: 1-1/2" = 1'-0"



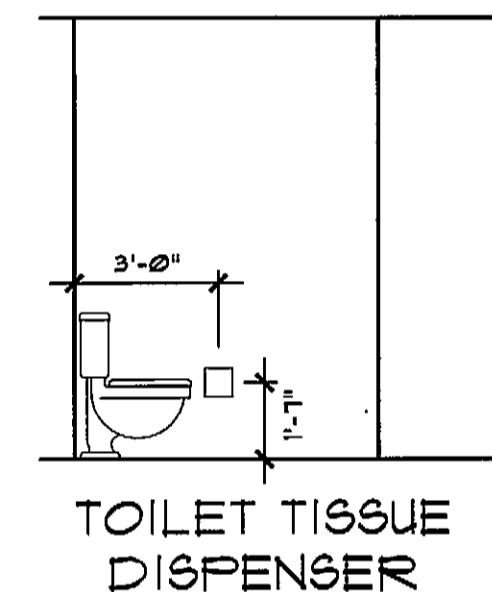
TOWEL BAR

TOWEL/ROBE HOOKS

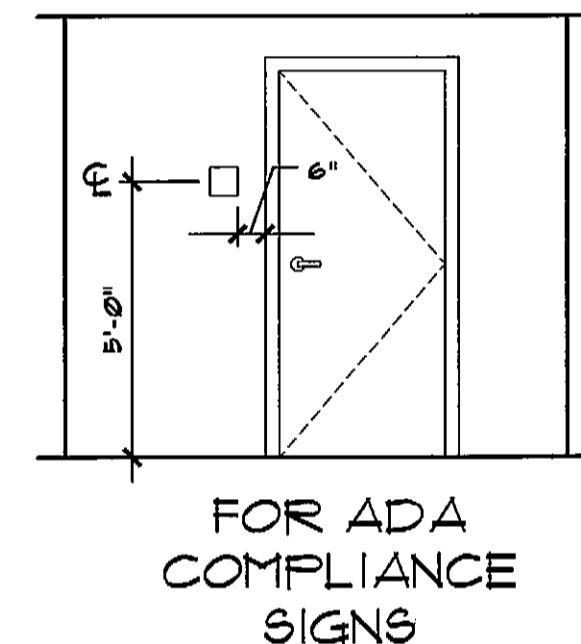
FIRE EXTINGUISHER CABINET (FEC)



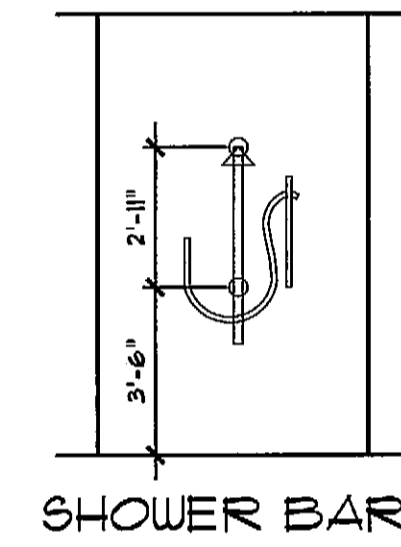
PAPER TOWEL DISPENSER/RECEPTACLE



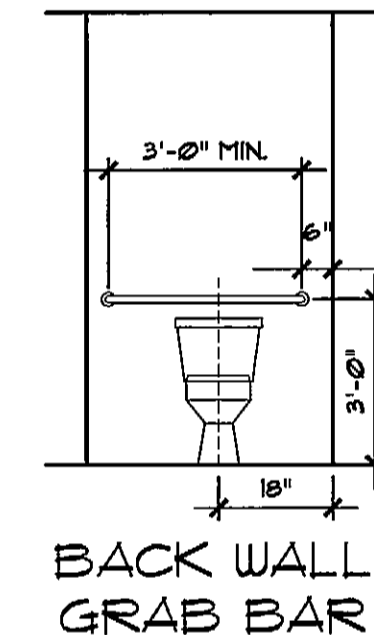
TOILET TISSUE DISPENSER



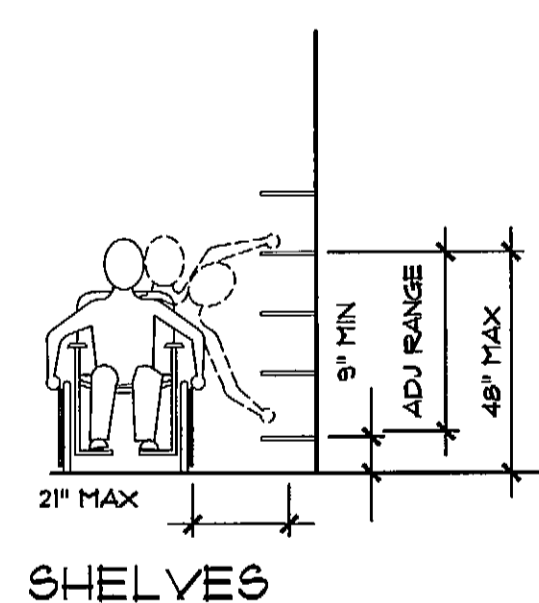
FOR ADA COMPLIANCE SIGNS



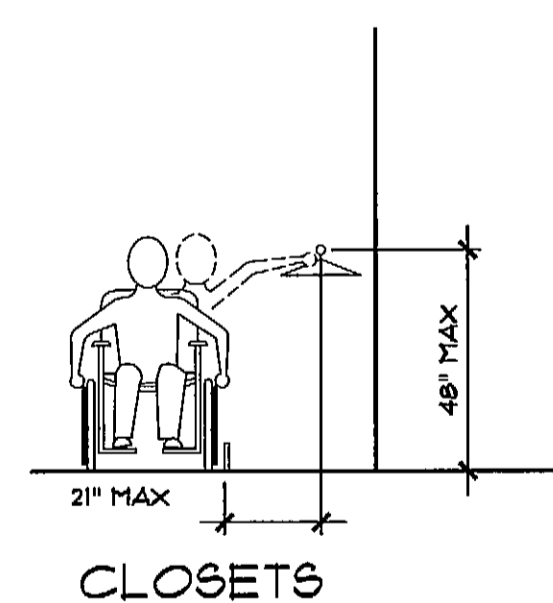
SHOWER BAR



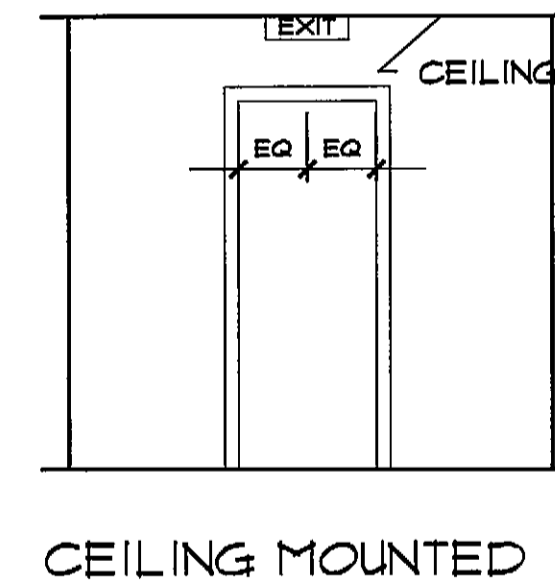
BACK WALL GRAB BAR



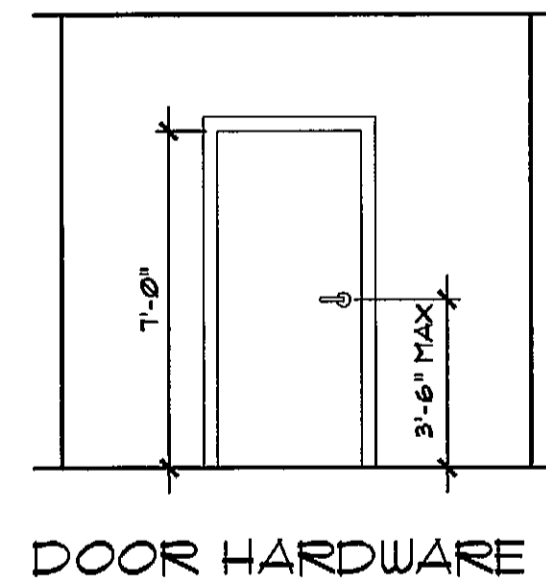
SHELVES



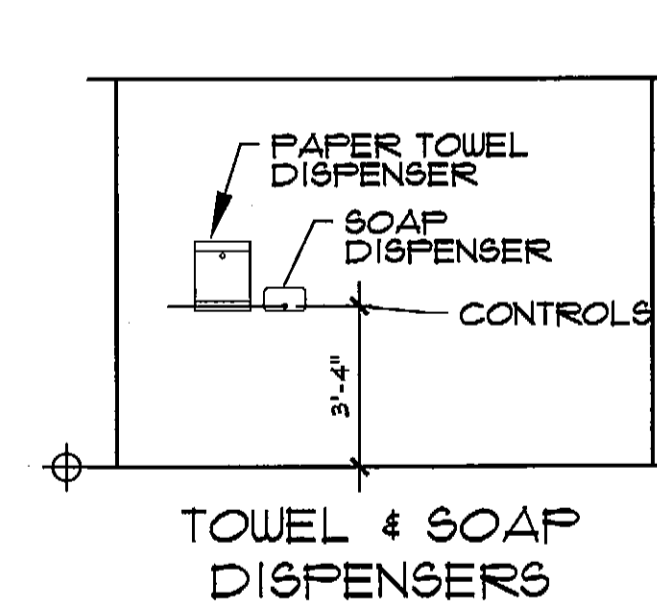
CLOSETS



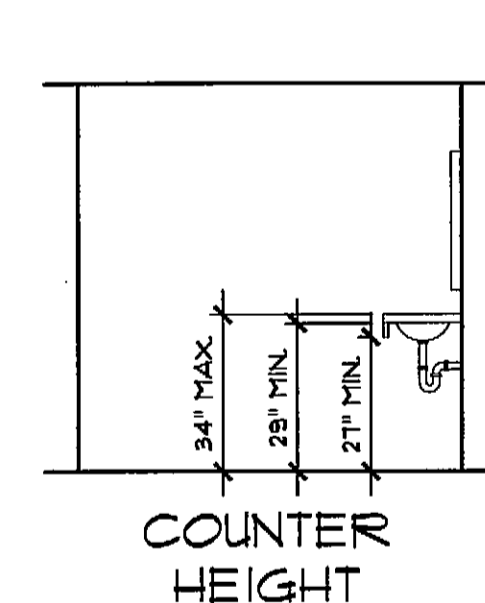
CEILING MOUNTED



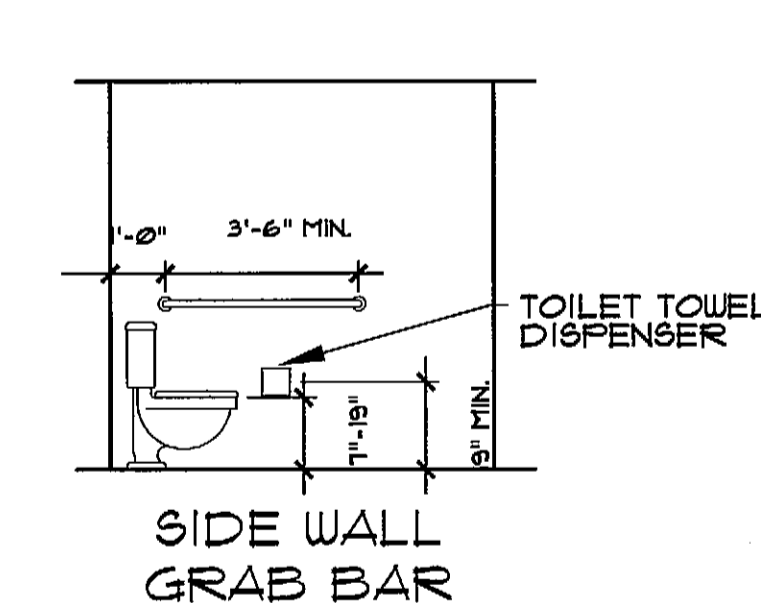
DOOR HARDWARE



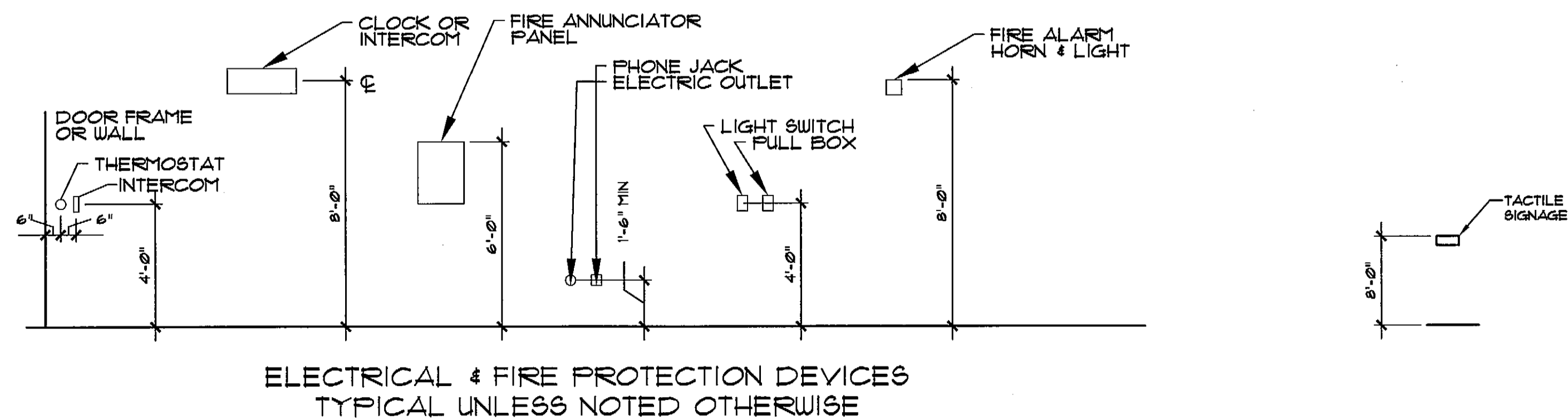
TOWEL & SOAP DISPENSERS



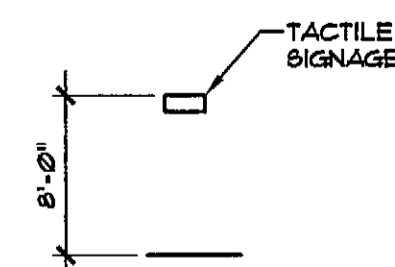
COUNTER HEIGHT



SIDE WALL GRAB BAR



ELECTRICAL & FIRE PROTECTION DEVICES TYPICAL UNLESS NOTED OTHERWISE



NOTES/ REVISIONS


**PORTLAND  
SEA DOGS  
CLUB HOUSE**

HADLOCK FIELD  
PORTLAND, ME

ISSUED FOR  
CONSTRUCTION  
8/6/07

**AE-220**

**HANDRAIL &  
ADA MOUNTING  
HEIGHTS**

**AI ADA MOUNTING HEIGHTS**  
SCALE: 1/4" = 1'-0"