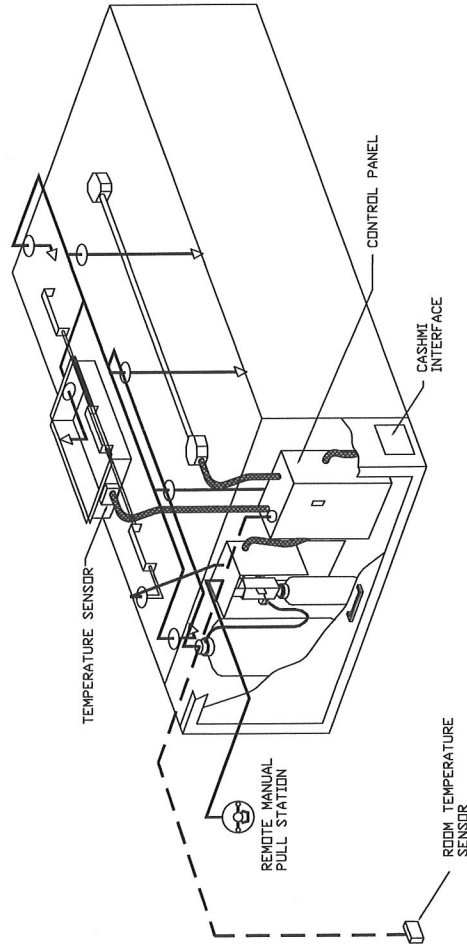


ELECTRICAL PACKAGES -- Job#2468448

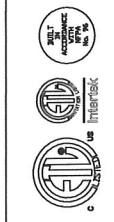
ID.	TAG	PACKAGE #	LOCATION	SWITCHES		OPTION	FANS CONTROLLED					
				LOCATION	QUANTITY		FAN TAG	TYPE	Ø	HP.	VOLT	FLA
1	Area 1	SC-210110FP	Utility Cabinet Left	Utility Cabinet Left Hood # 1	1 Light 1 Fan	Smart Controls Thermostatic Control	Area 1	Exhaust	1	3,000	230	17.0
2	Area 2	SC-210110FP	Utility Cabinet Right	Utility Cabinet Right Hood # 4	1 Light 1 Fan	Smart Controls Thermostatic Control	Area 2	Exhaust	1	3,000	230	17.0



TYPICAL CONTROL CENTER INSTALLATION

CUSTOMER APPROVAL TO MANUFACTURE:

Approved as Noted
 Approved with NO Exception Taken
 Rejected and Resubmit
 DATE _____ TITLE _____
 Date _____



CAPTIVE AIR

JOB	Portland Sea Dogs r1
LOCATION	LEWISTON, ME,
DATE	11/3/2015
DWG #	8
JOB #	2468448
DRAWN BY	BFC-21
REV.	SCALE 3/8" = 1'-0"