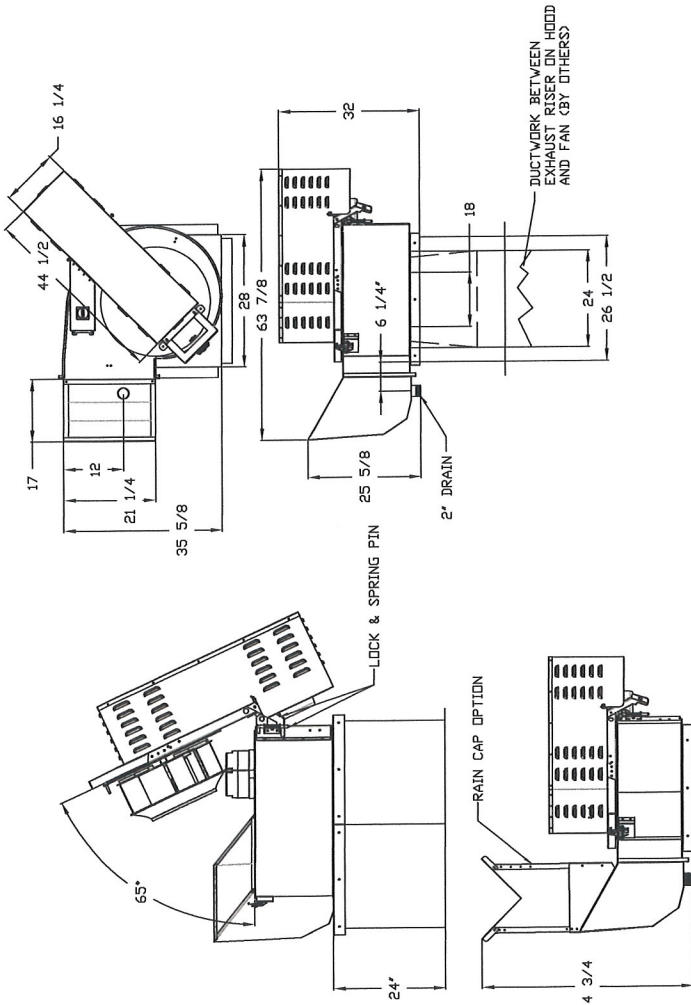


FANS #1 (AREA 1), #2 (AREA 2) - CASRE20BD_EXHAUST FAN



FEATURES:

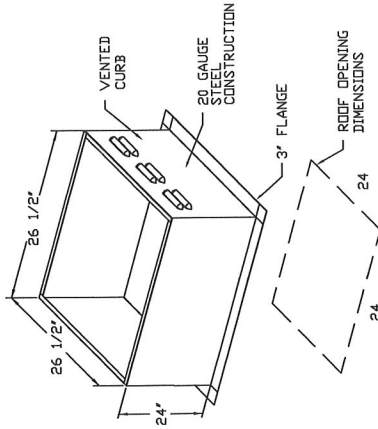
- ROOF MOUNTED FANS
- RESTAURANT MODEL
- UL782
- HIGH HEAT OPERATION DIRECT DRIVE 300°F (149°C)
- HIGH HEAT OPERATION BELT DRIVE 500°F (260°C)
- HEAT SLINGER
- GREASE CLASSIFICATION TESTING
- TILT OUT WHEEL
- LOCKING PIN FOR POWER PACK
- MOTOR WEATHER COVER
- INTERLOCKED DISCONNECT SWITCH

NORMAL TEMPERATURE TEST BELT DRIVE EXHAUST FAN MUST OPERATE CONTINUOUSLY WHILE EXHAUSTING AIR AT 500°F (260°C) UNTIL ALL FAN PARTS HAVE REACHED THERMAL EQUILIBRIUM, AND WITHOUT ANY DETERIORATING EFFECTS TO THE FAN WHICH WOULD CAUSE UNSAFE OPERATION.

ABNORMAL FLARE-UP TEST BELT & DIRECT DRIVE EXHAUST FAN MUST OPERATE CONTINUOUSLY WHILE EXHAUSTING BURNING GREASE VAPORS AT 600°F (316°C) OR AT A FAN SPEED DAMAGED TO ANY EXTENT THAT COULD CAUSE AN UNSAFE CONDITION.

OPTIONS:

- FULL CRATING FOR EXHAUST FANS
- UTILITY SET GREASE CUP
- 3 YEAR EXTENDED MOTOR WARRANTY
- EXTRA SET OF BELTS
- FAN BASE CERAMIC SEAL - FOR GREASE DUCTS
- RE20 - RAIN CAP ASSEMBLY - INCLUDES HARDWARE AND GASKET.



PITCHED CURBS ARE AVAILABLE FOR PITCHED ROOFS.
SPECIFY PITCH:
EXAMPLE: 7/12 PITCH = 30° SLOPE

CUSTOMER APPROVAL TO MANUFACTURE:

Moved as Noted
 Moved with NO Exception Taken
 Resubmitted and Resubmitted
 As Shown

Signature: _____ Date: _____
 Title: _____

JOB	Portland Sea Dogs r1
LOCATION	LEWISTON, ME,
DATE	11/3/2015
JOB #	2468448
DRAWN BY	BFC-21
DWG #	5
REV.	SCALE 3/8" = 1'-0"

CAPTIVEAIR