

3
2
1
0
SCALE 1"=1'

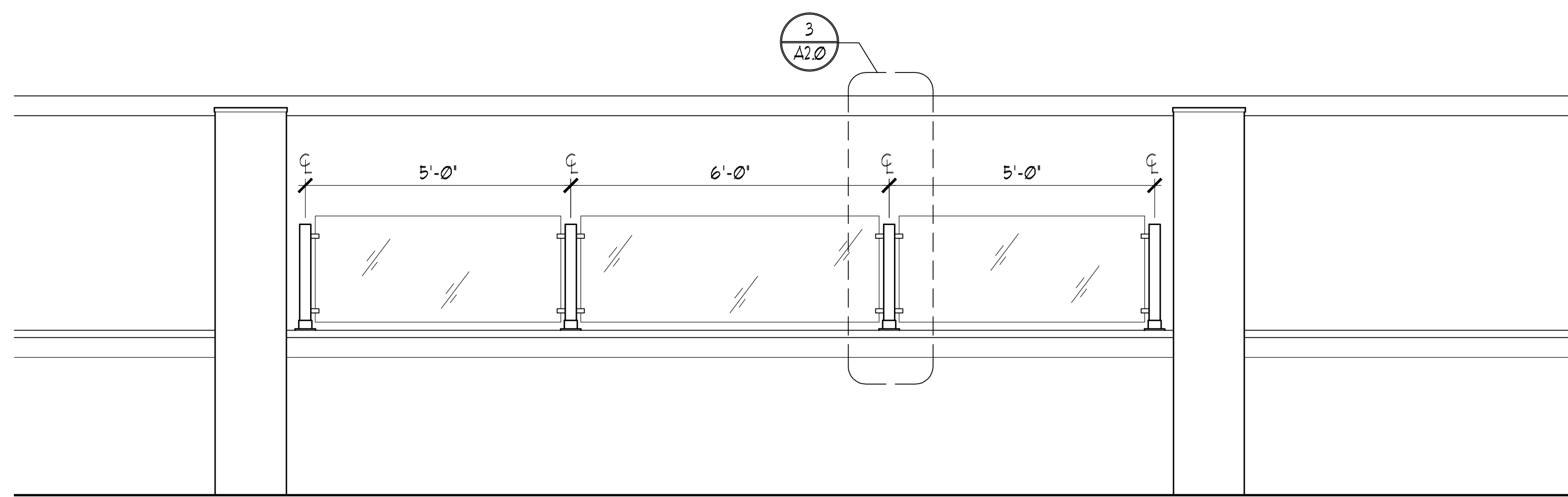
4
3
2
1
0
SCALE 3/4"=1'

6
3
2
1
0
SCALE 1/2"=1'

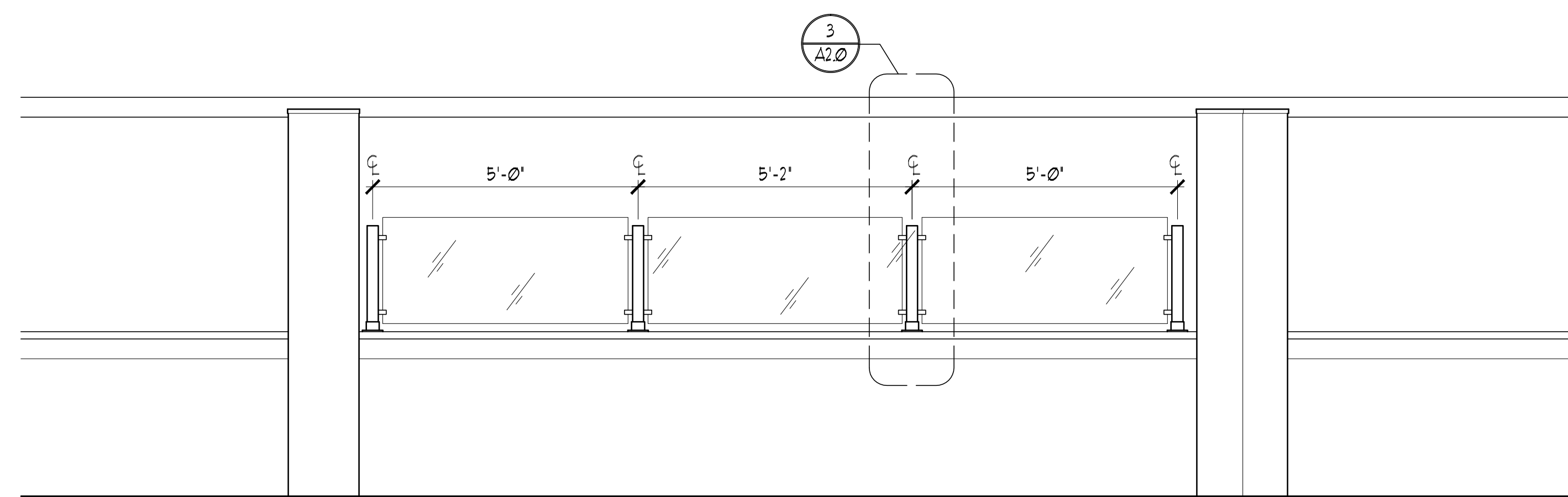
12
8
6
4
2
0
SCALE 1/4"=1'

20
10
0
SCALE 1/8"=1'

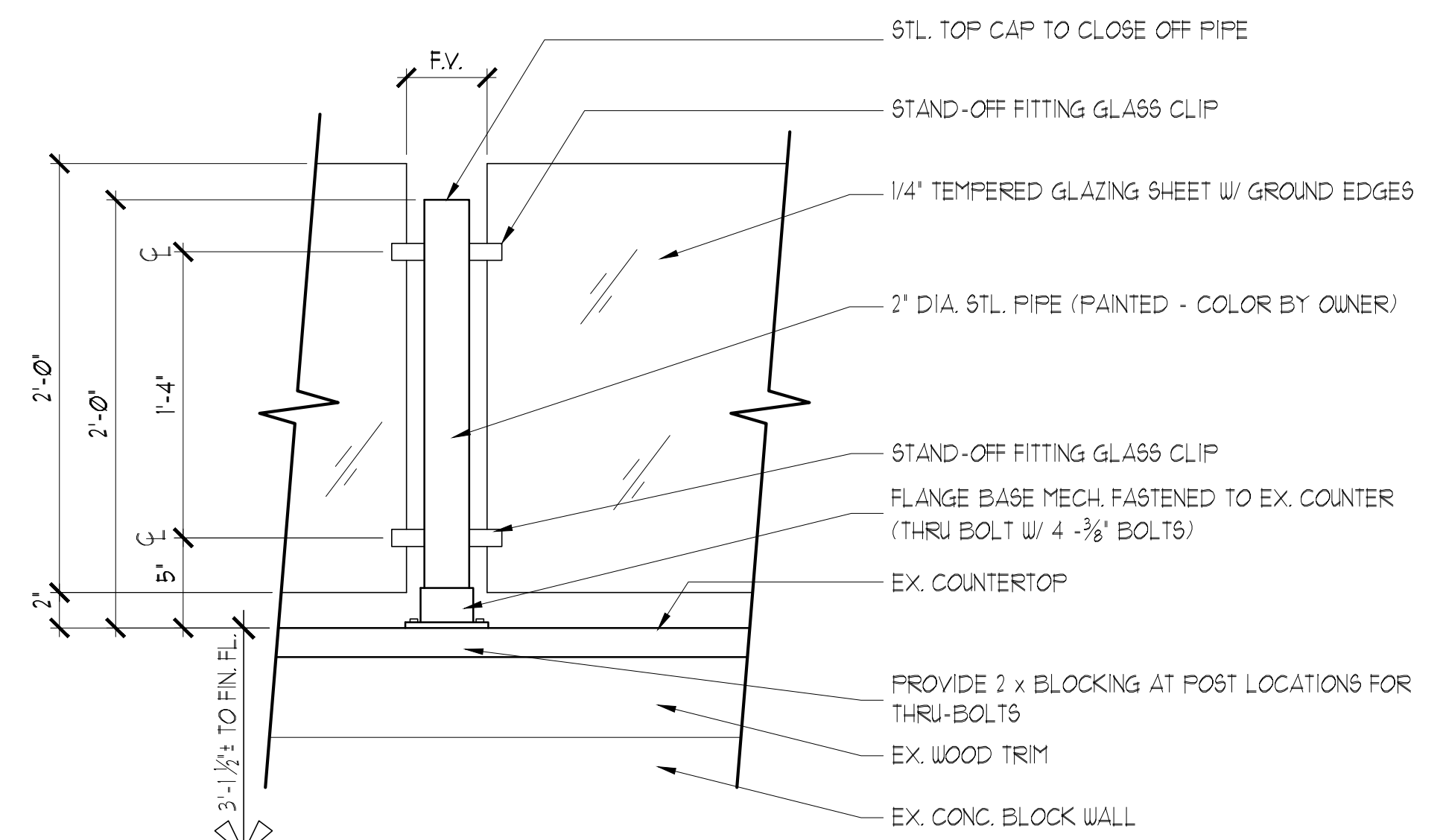
40
20
0
SCALE 1/16"=1'



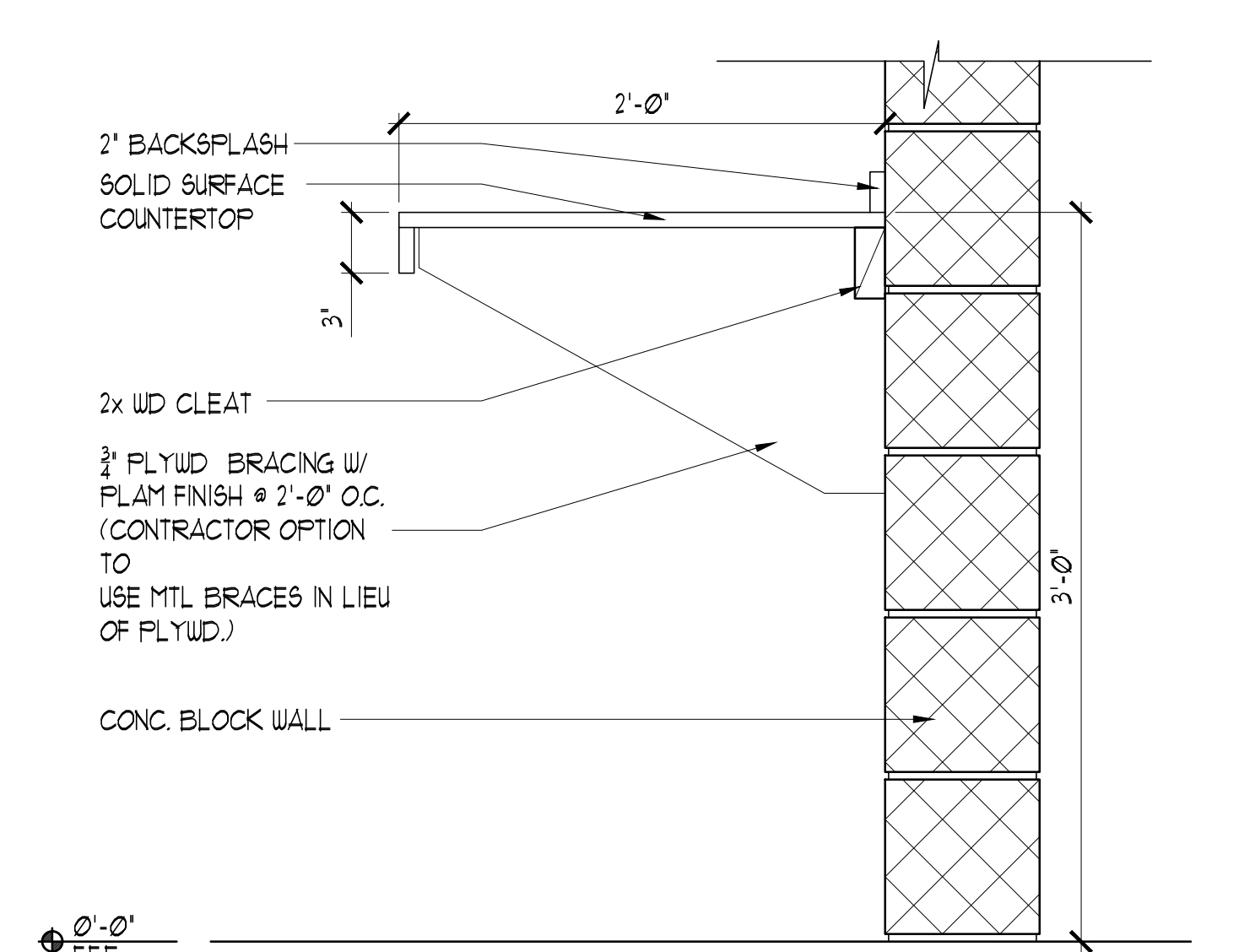
1 PARTIAL ELEVATION - STAND A
SCALE: 1/2" = 1'-0"



2 PARTIAL ELEVATION - STAND D
SCALE: 1/2" = 1'-0"



3 VERTICAL GUARD SYSTEM
SCALE: 1" = 1'-0"



4 COUNTERTOP DETAIL
SCALE: 1" = 1'-0"



65 NEWBURY STREET
PORTLAND, ME 04101
207.761.9000



Consultants:
Perkins
a Gordon Food Service Company
630 John Hancock Road
Taunton, MA 02780
(508) 824-2800
contact: Steve Zafirson
stevezafirson@perkins.com
cell: (207) 632-3736

REVIEW SET - NOT FOR CONSTRUCTION

Portland Sea Dogs
Concessions Remodel at Stands A and D
Hadlock Field
271 Park Ave.
Portland, ME 04102

#	DATE	DESCRIPTION
1	10-30-15	REVIEW/PERMIT SET

Date Issued: October 30, 2015
Project Number: 15214
Drawing Scale: AS NOTED

ELEVATIONS / DETAILS

Drawn By: MC
Checked By: ACH
A 2.0