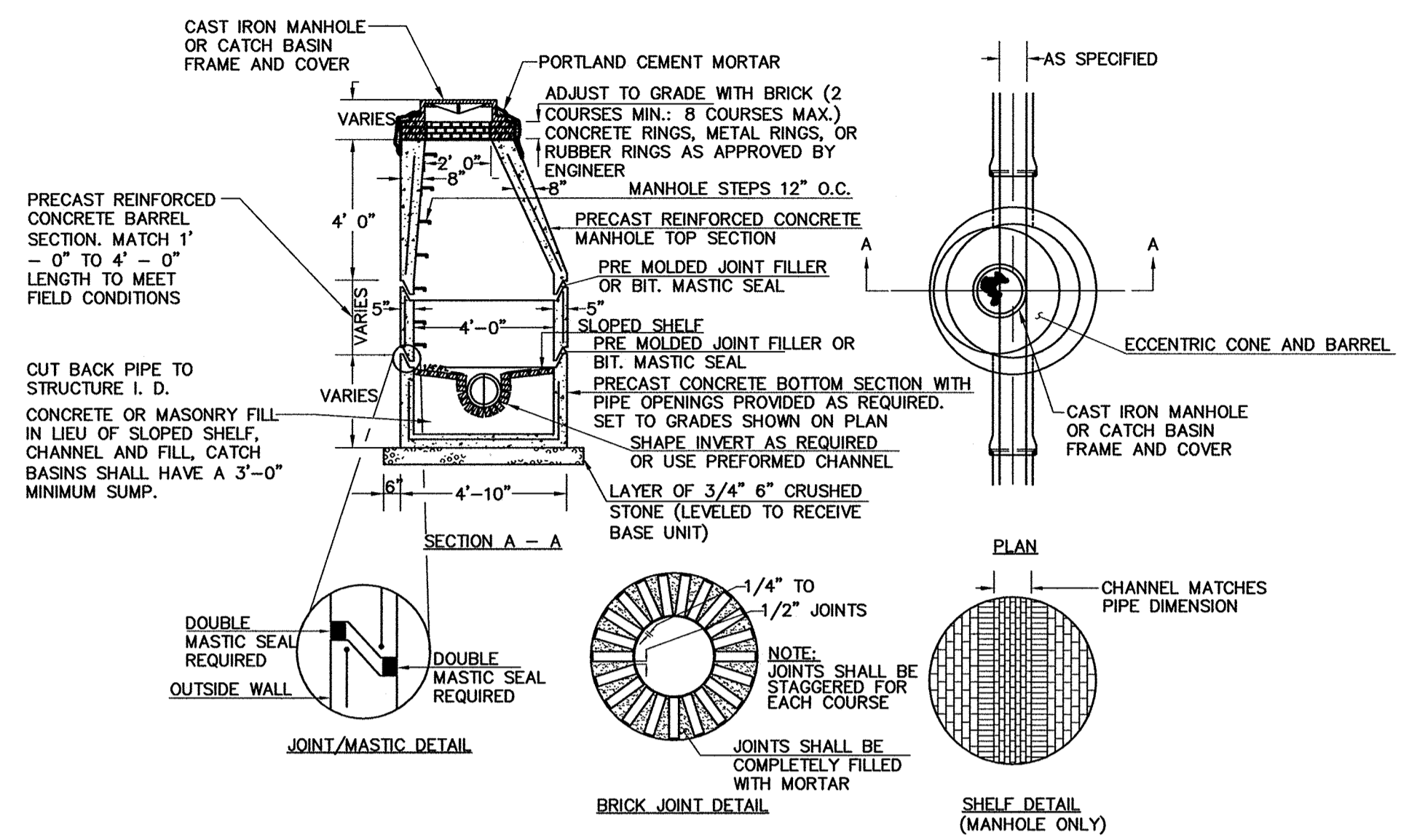
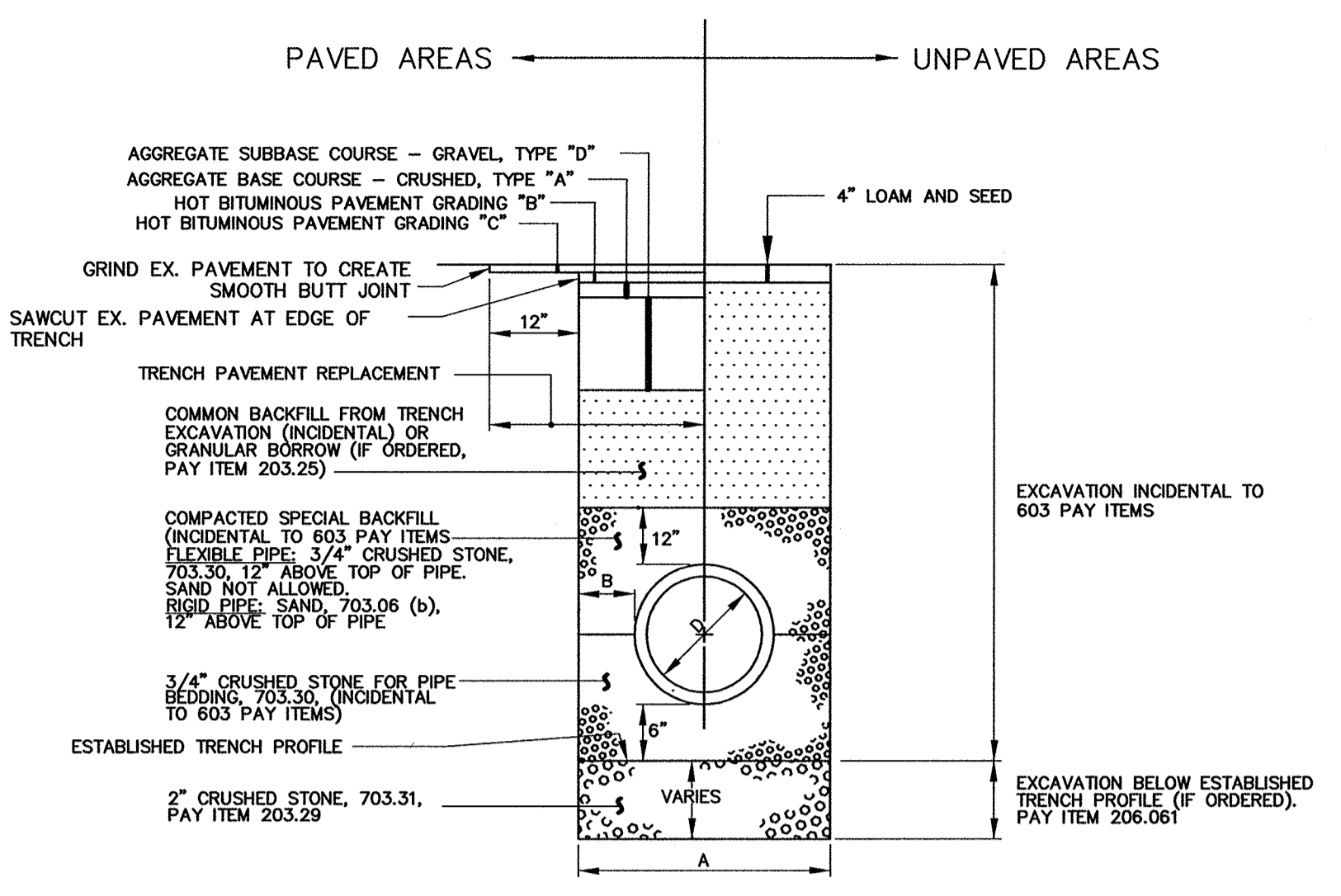


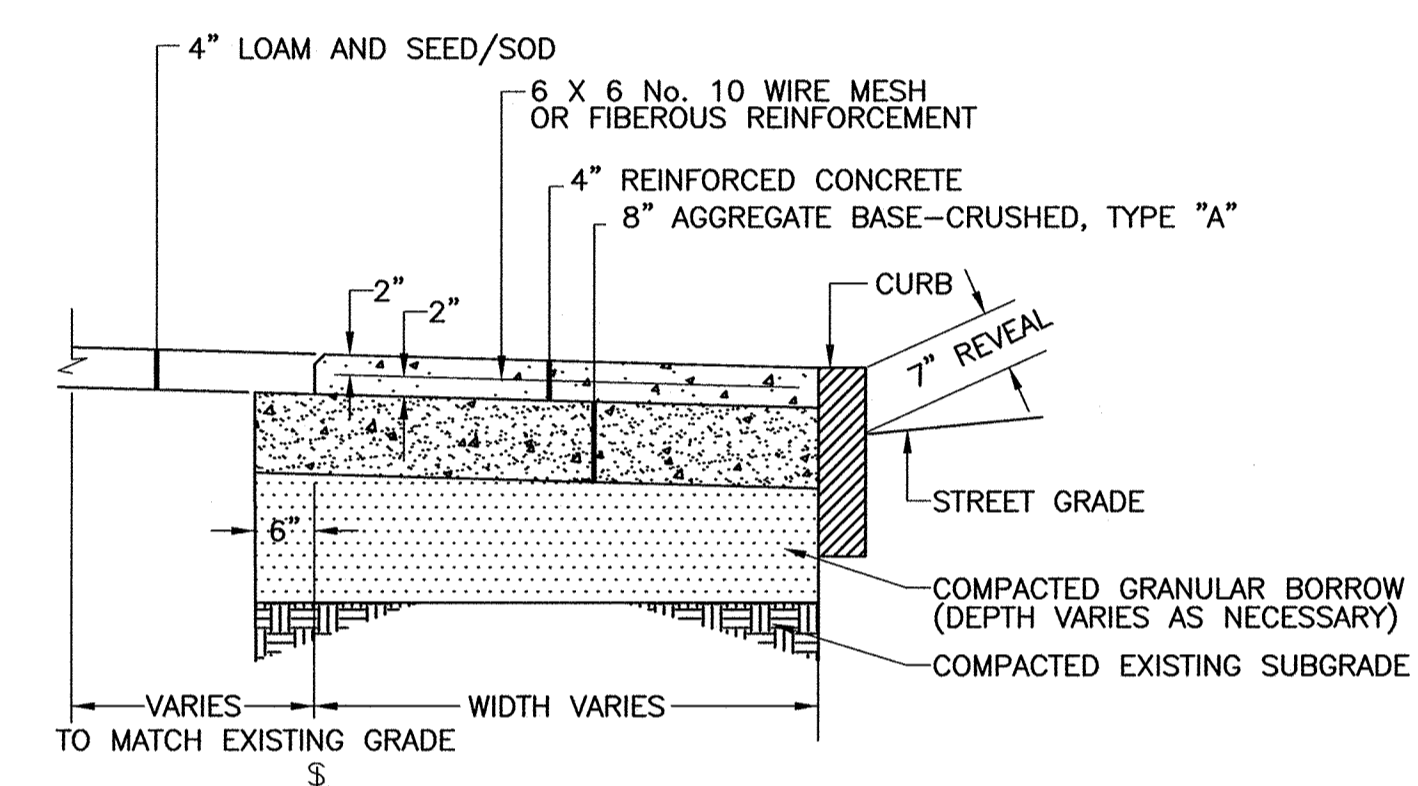
TYPICAL BITUMINOUS PAVEMENT SECTION
NOT TO SCALE



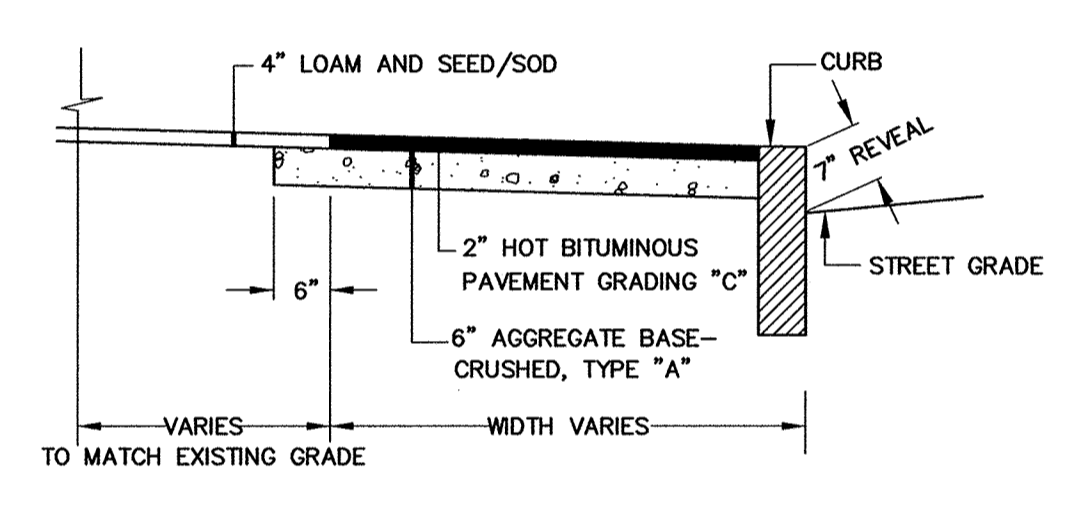
PRECAST CONCRETE MANHOLE TYPE "A"
NOT TO SCALE



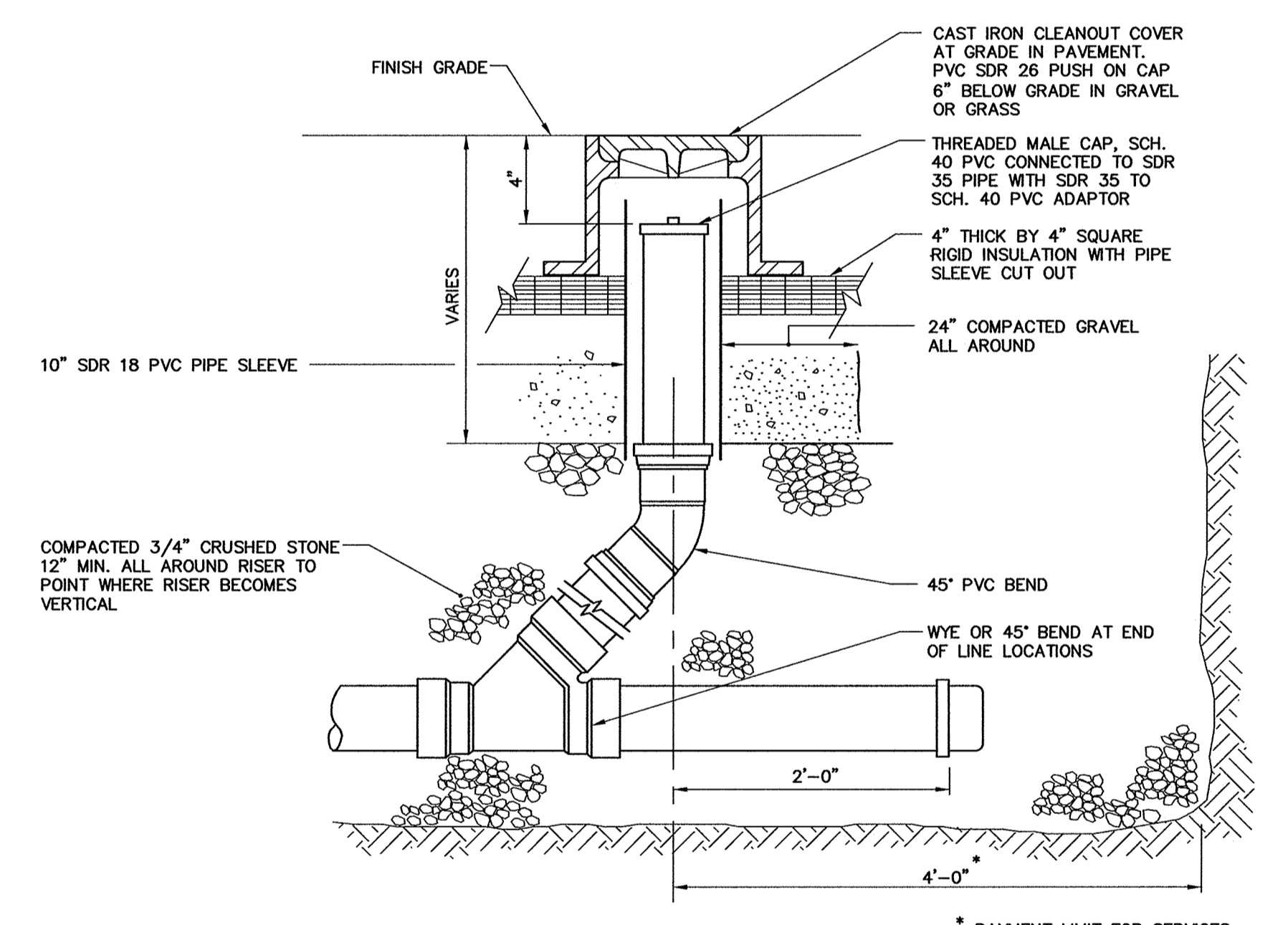
PIPE INSTALLATION DETAIL
NOT TO SCALE



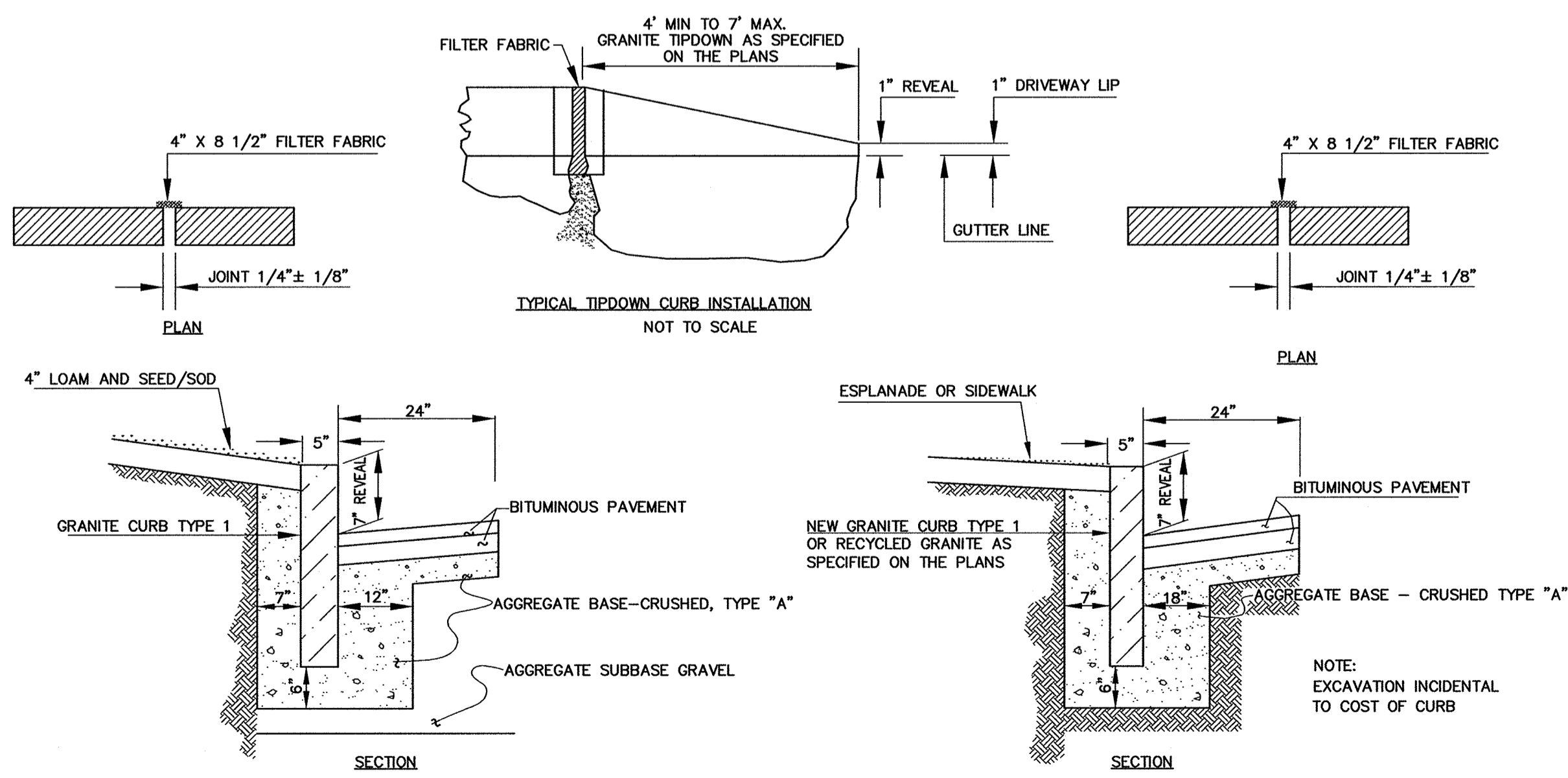
REINFORCED CONCRETE SIDEWALK DETAIL - NO ESPLANADE
NOT TO SCALE



BITUMINOUS SIDEWALK DETAIL - NO ESPLANADE
NOT TO SCALE

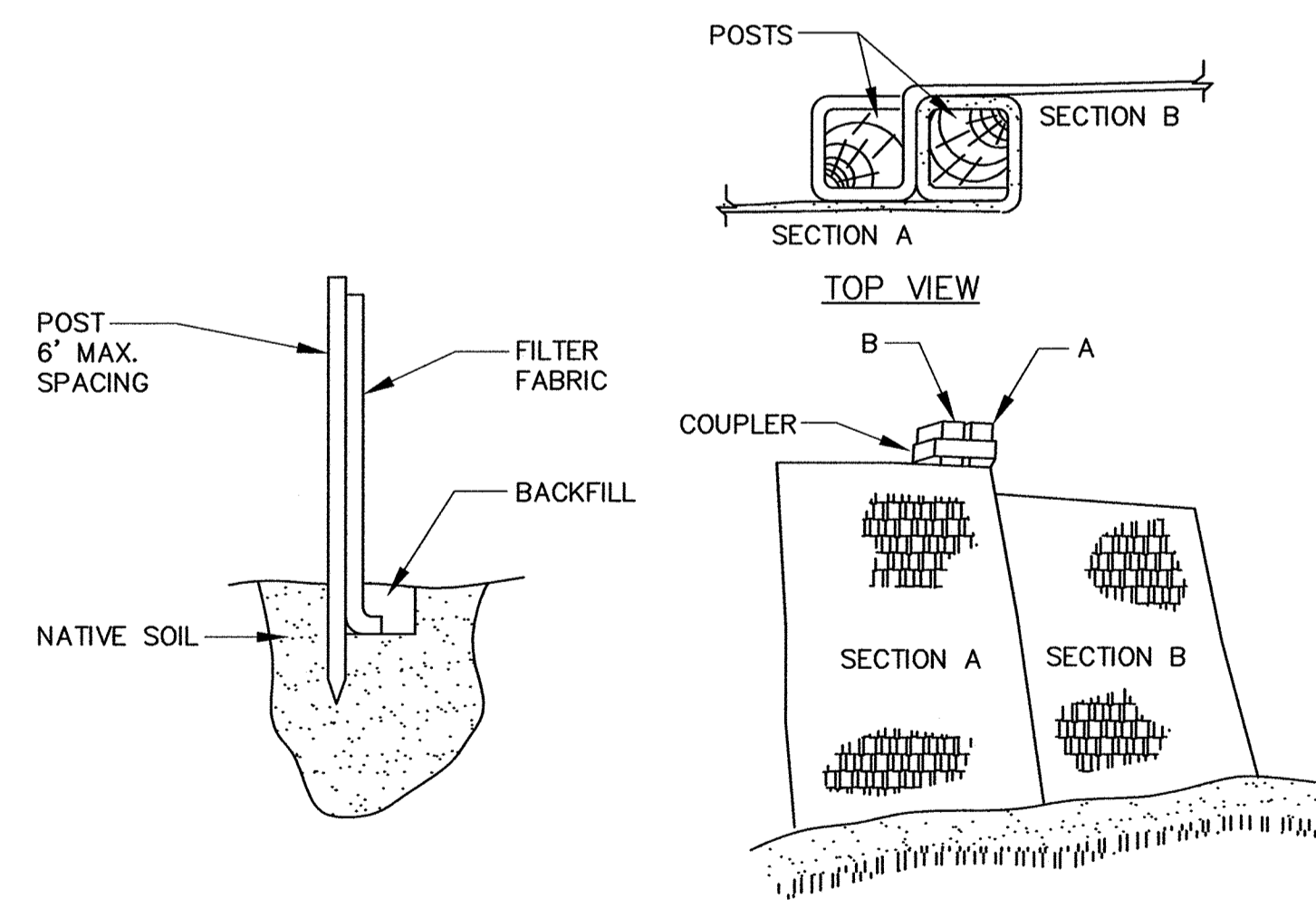


CLEANOUT DETAIL
N.T.S.



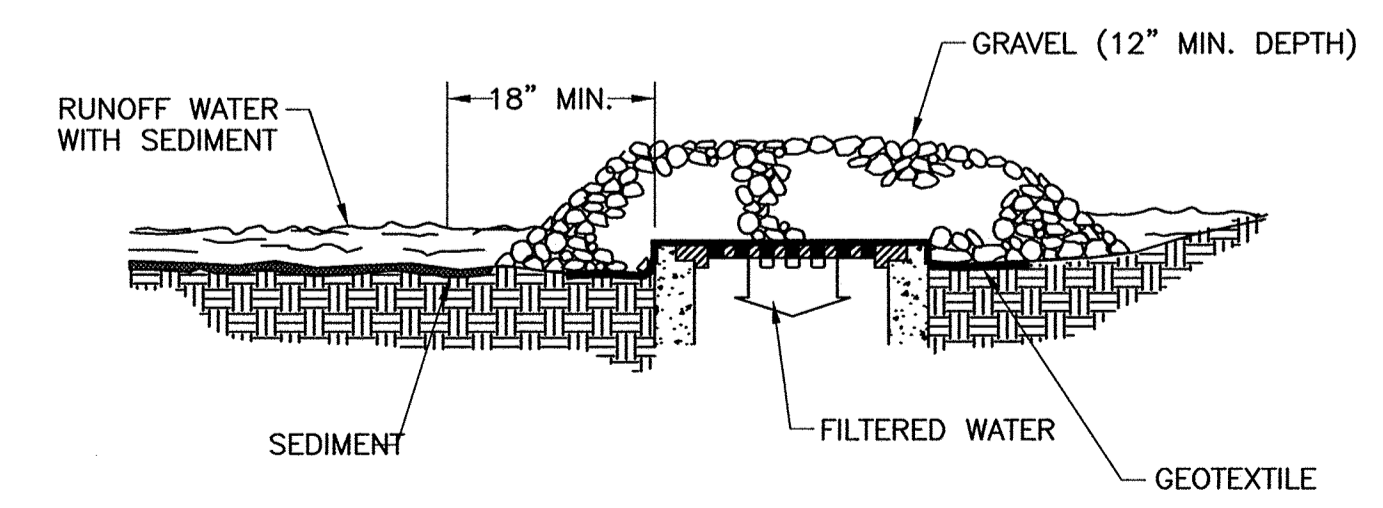
INSTALLATION OF CURB
NOT TO SCALE

CURB REPLACEMENT DETAIL
NOT TO SCALE



- INSTALLATION:**
- EXCAVATE A 6" x 6" TRENCH ALONG THE LINE OF PLACEMENT FOR THE FILTER BARRIER.
 - UNROLL A SECTION AT A TIME AND POSITION THE POSTS AGAINST THE BACK (DOWNSTREAM) WALL OF THE TRENCH.
 - DRIVE POSTS INTO THE GROUND UNTIL APPROXIMATELY 2" OF FABRIC IS LYING ON THE TRENCH BOTTOM. JOIN SECTION AS SHOWN ABOVE.
 - LAY THE TOE-IN FLAP OF FABRIC ONTO THE UNDISTURBED BOTTOM OF THE TRENCH, BACKFILL THE TRENCH AND TAMP THE SOIL. TOE-IN CAN ALSO BE ACCOMPLISHED BY LAYING THE FABRIC FLAP ON UNDISTURBED GROUND AND PILING AND TAMPING FILL AT THE BASE, BUT MUST BE ACCOMPANIED BY AN INTERCEPTION DITCH.
 - BARRIER SHALL BE MIRAFI SILT FENCE OR APPROVED EQUAL.

FILTER BARRIER
NOT TO SCALE



GRAVEL AND GEOTEXTILE DROP INLET SEDIMENT FILTER
NOT TO SCALE

TYPICAL INSTALLATION OF CURB
NOT TO SCALE

41 HUTCHINS DRIVE
PORTLAND, MAINE 04102
800.426.4282 | www.woodardcurran.com

WOODARD & CURRAN

PROFESSIONAL ENGINEER
BARRY S. SHEPHERD
SHEPHERD & ASSOCIATES
INCORPORATED
Professional Seal No. 10000
Professional Seal No. 10000

REV	DESCRIPTION	DATE	CHECKED BY:	DRAWN BY:
02/20/08	ISSUED FOR BID	02/20/07	RWS	BOI
02/20/07	ISSUED FOR BID		RWS	BOI

SITE PLAN DETAILS

CITY OF PORTLAND
PORTLAND, MAINE

PORTLAND EXPO
DRAINAGE IMPROVEMENTS

JOB NO.:	203848.98
DATE:	AUGUST 2007
SCALE:	AS NOTED
SHEET:	2 OF 5

0: 203848 City of Portland-General Engineering Services_vip_98_Portland_Expo_Drainage_Improvements_20384898-C300.dwg, Feb. 18, 2009 - 4:14pm