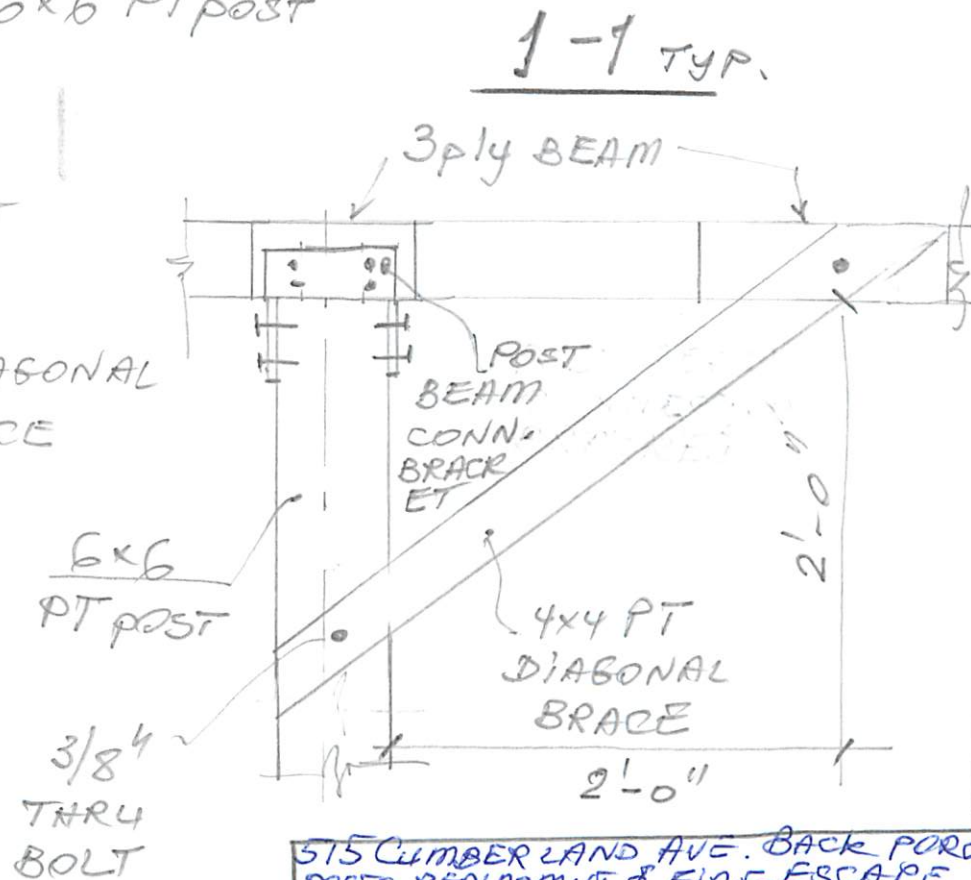
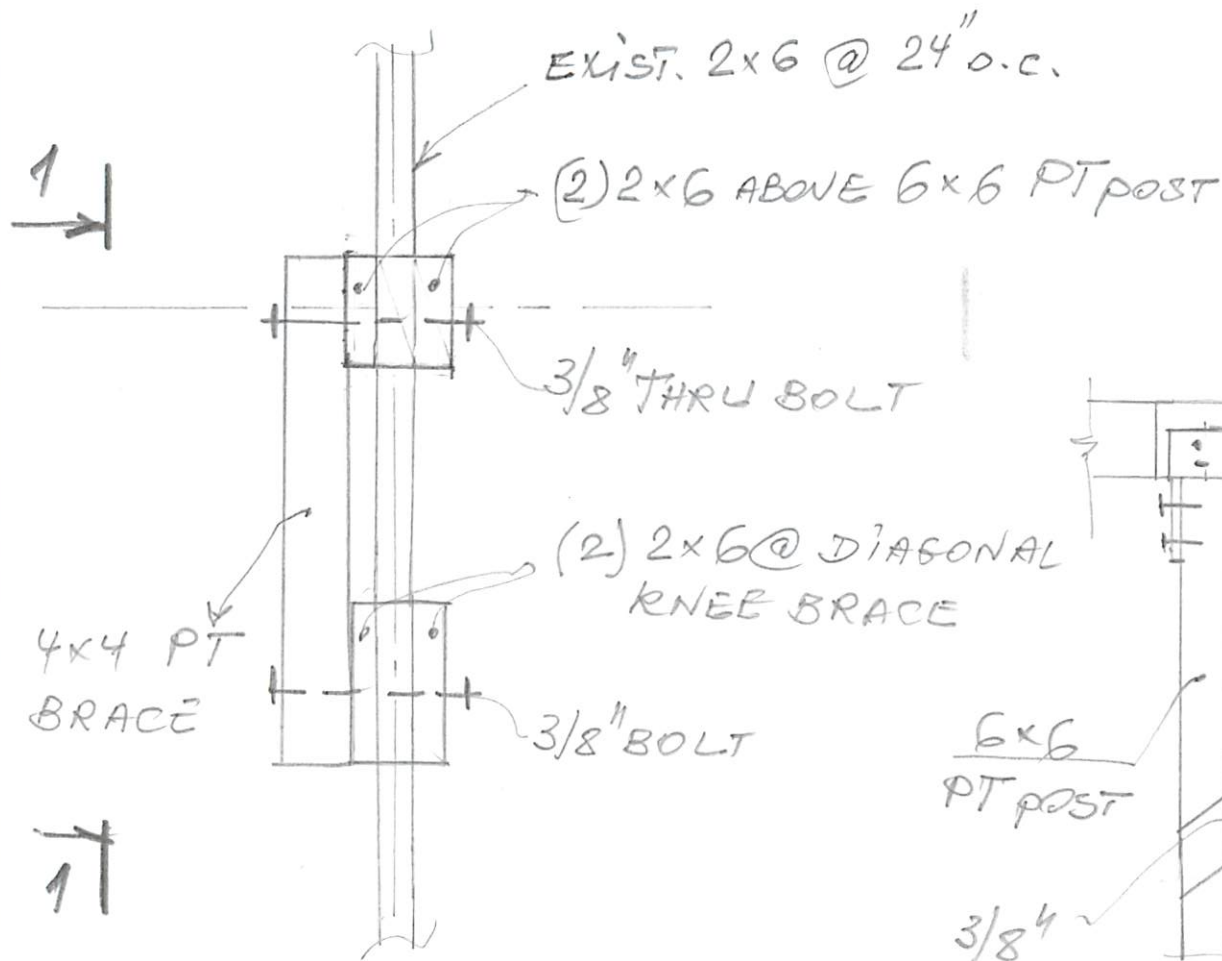


($\frac{A}{1}$) TYP.



515 CUMBERLAND AVE. BACK PORCH
POSTS REPLACMENT & FIRE ESCAPE

SCALE	1 in = 1 FT	
OWNER	LINA FESENKO	899 8379
CONTRACTOR	LAURTY CONSTRUCTION	

Handwritten notes and diagrams, including a large circular diagram with internal lines and arrows, and several vertical columns of text.

Handwritten text	Handwritten text
Handwritten text	Handwritten text
Handwritten text	Handwritten text