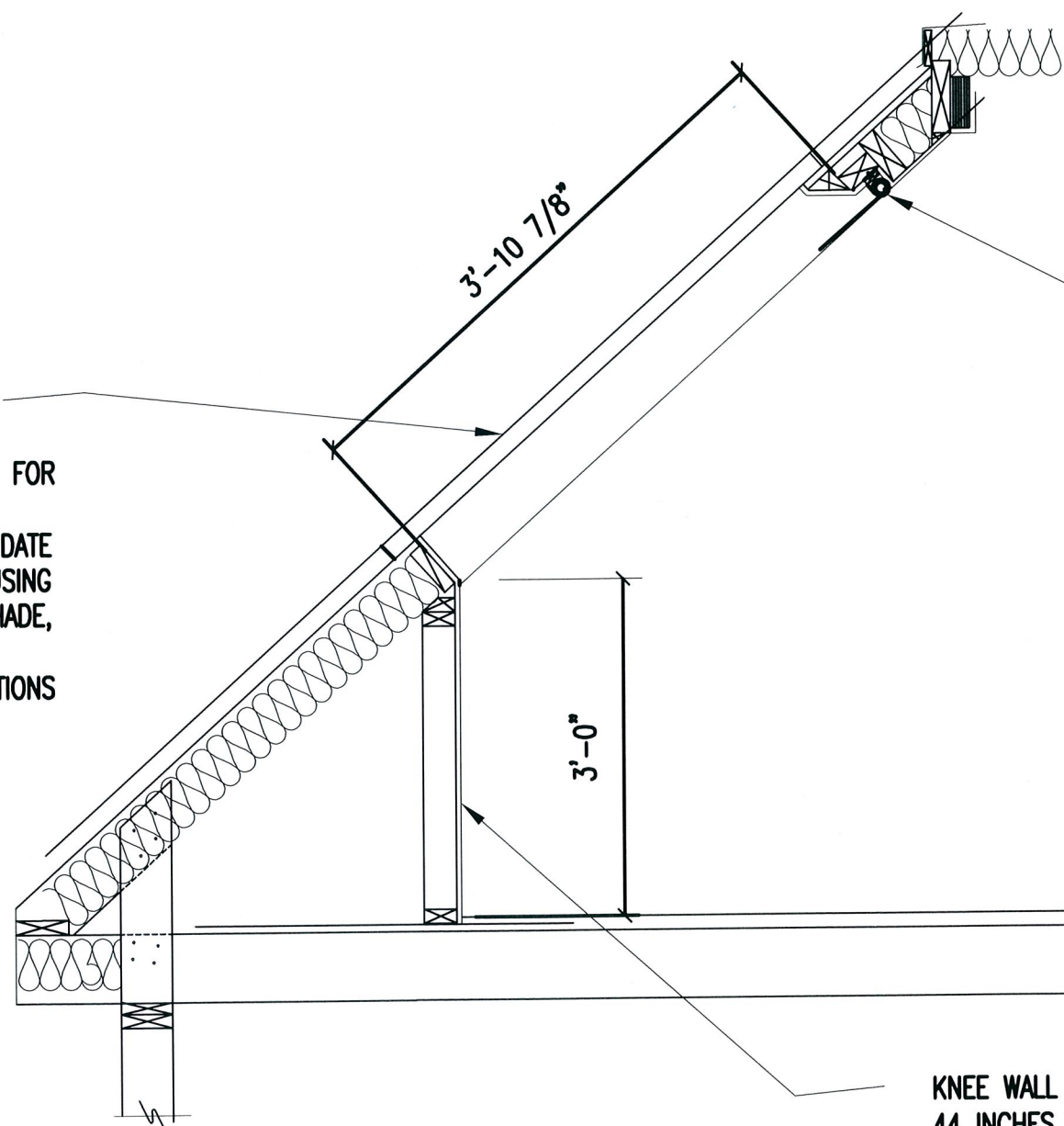
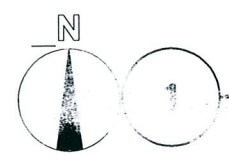


VELUX ROOF WINDOW  
 MODEL GPL S06  
 R.O. 45-1/4" X 46-7/8" FOR  
 SKYLIGHT ONLY, ELONGATE  
 VERTICAL R.O. TO ACCOMODATE  
 SCREEN AND SCREEN HOUSING  
 WITH ROOM DARKENING SHADE,  
 INSTALL AND FLASH PER  
 MANUFACTURER'S INSTRUCTIONS



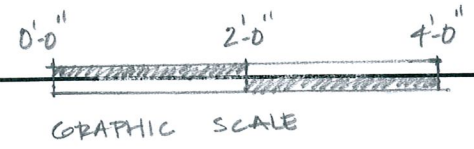
RECESS THE ROLLING SCREEN HOUSING ASSEMBLY, BY G.C.;  
 VERIFY THE DEPTH OF THE HOUSING PRIOR TO FINAL  
 BLOCKING LOCATION. APPROX. DEPTH OF 2-1/2".

KNEE WALL HEIGHT AT 3'-0" MEETS CODE MAX. HEIGHT OF  
 44 INCHES TO THE EGRESS SKYLIGHT.



**SKYLIGHT SECTION**

1/2" = 1'-0"



**BARBÄ+WHEELOCK**  
 ARCHITECTURE, PRESERVATION + DESIGN  
 500 CONGRESS STREET  
 PORTLAND, MAINE 04101  
 TEL 207.772.2722

**BETH-ESCHHOLTZ**  
 106 Sherman St  
 Portland, Maine 04102  
 Project No: 201306  
 Date: APRIL 2, 2013

Title: SKYLIGHT SECTION  
 Issued For/Revisions:  
 PERMIT

Drawing No:  
**A203**